



US00D964175S

(12) **United States Design Patent**
Rentz Henry et al.

(10) **Patent No.:** **US D964,175 S**

(45) **Date of Patent:** **** *Sep. 20, 2022**

(54) **FRAGRANCE BOTTLE**

(71) Applicant: **ELC MANAGEMENT LLC**, Melville, NY (US)

(72) Inventors: **Lisa Rentz Henry**, Ridgewood, NY (US); **Judith Shalva Waletzky**, Brooklyn, NY (US)

(73) Assignee: **ELC MANAGEMENT LLC**, Melville, NY (US)

(*) Notice: This patent is subject to a terminal disclaimer.

(**) Term: **15 Years**

(21) Appl. No.: **29/735,116**

(22) Filed: **May 19, 2020**

(51) **LOC (13) Cl.** **09-01**

(52) **U.S. Cl.**
USPC **D9/550**; D9/556

(58) **Field of Classification Search**
USPC D9/414, 428, 502, 537, 549, 550, 556, D9/558, 559, 563, 569, 573-575, D9/688-692, 545; D28/82, 91.1; D26/22
CPC B65D 1/0223; B65D 2501/0036; B65D 81/3841; B65D 81/3869; A45D 40/0068; B29C 53/285
See application file for complete search history.

(56) **References Cited**

U.S. PATENT DOCUMENTS

- D62,399 S * 5/1923 Javal D9/556
- D92,781 S * 7/1934 Tricard D9/550
- D129,736 S * 9/1941 Vuilleminot D28/91.1
- D187,244 S * 2/1960 Morris D9/556
- D359,690 S * 6/1995 Heinz D9/556
- D418,061 S * 12/1999 Starker D9/556
- D545,208 S 6/2007 Modjeski
- D549,582 S 8/2007 Lloyd et al.

- D619,472 S 7/2010 Papiernik
 - D661,198 S * 6/2012 Duecker D9/556
 - D663,619 S 7/2012 Pillet
 - D742,752 S * 11/2015 Castiglioni D9/550
- (Continued)

FOREIGN PATENT DOCUMENTS

- AU 326164 6/2009
 - CN 303667891 5/2016
- (Continued)

Primary Examiner — Brett Miller

Assistant Examiner — Rani J Abdallah

(74) *Attorney, Agent, or Firm* — Yonggang Wu

(57) **CLAIM**

The ornamental design for a fragrance bottle, as shown and described.

DESCRIPTION

FIG. 1 is a top perspective view of a fragrance bottle showing the claimed design;

FIG. 2 is a bottom perspective view of the fragrance bottle shown in FIG. 1;

FIG. 3 is a front view of the fragrance bottle shown in FIG. 1;

FIG. 4 is a rear view of the fragrance bottle shown in FIG. 1;

FIG. 5 is a left view of the fragrance bottle shown in FIG. 1;

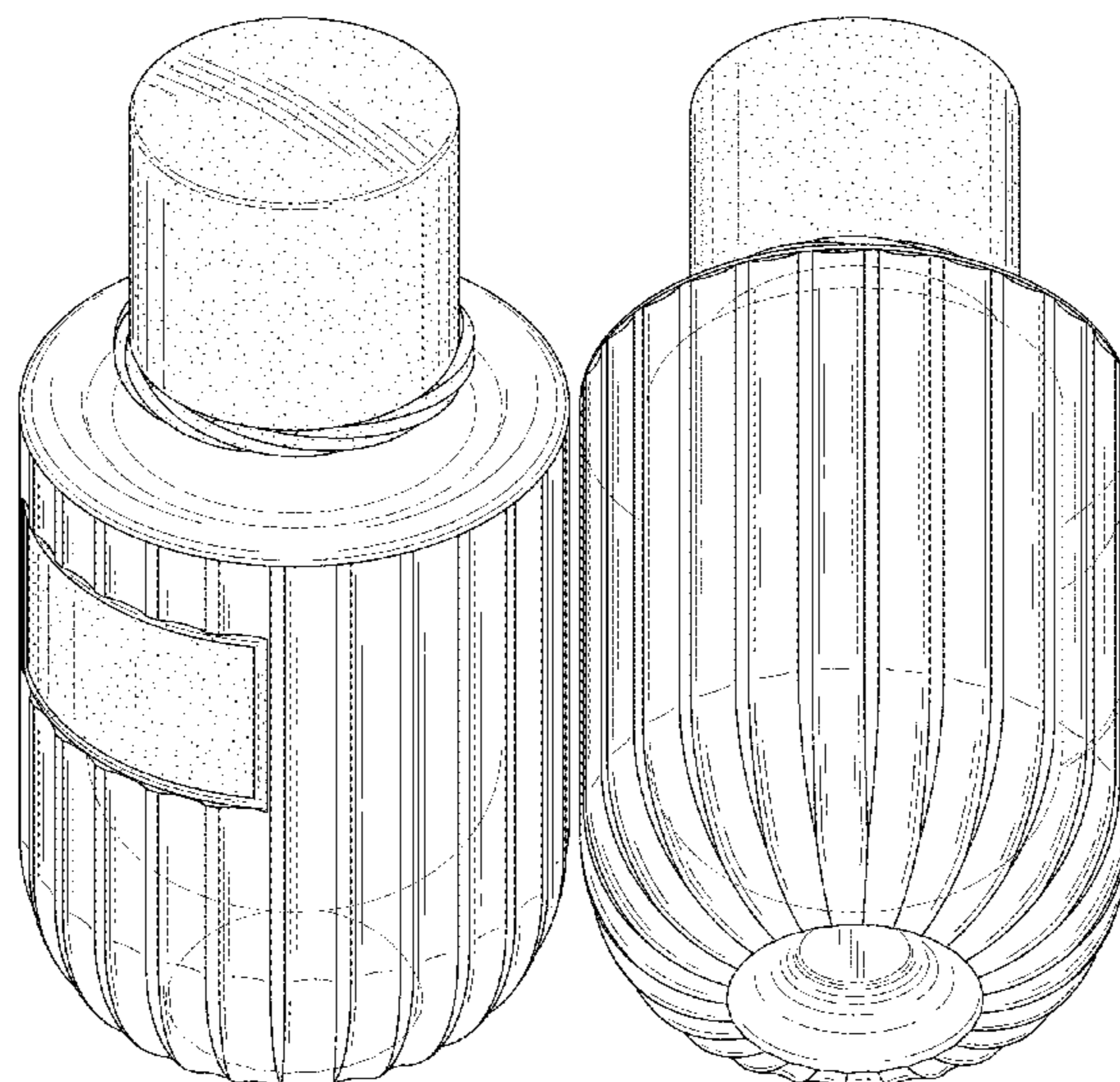
FIG. 6 is a right view of the fragrance bottle shown in FIG. 1;

FIG. 7 is a top view of the fragrance bottle shown in FIG. 1; and,

FIG. 8 is a bottom view of the fragrance bottle shown in FIG. 1.

Exterior opaque surfaces are indicated with stipple shading. All exterior surfaces without stipple shading are transparent. Stipple shading does not indicate surface texture.

1 Claim, 7 Drawing Sheets



(56)

References Cited

U.S. PATENT DOCUMENTS

D744,846 S * 12/2015 Koop D9/550
 D763,697 S * 8/2016 Lee D9/558
 D772,718 S * 11/2016 Lee D9/558
 D773,311 S * 12/2016 Park D9/558
 D779,334 S * 2/2017 White D9/556
 D781,715 S * 3/2017 Lee D9/558
 D790,051 S * 6/2017 Valentino D9/558
 D813,048 S 3/2018 Hamel et al.
 D817,178 S * 5/2018 Jeong D9/558
 D827,447 S * 9/2018 Prinz D9/545
 D832,710 S 11/2018 Kim
 D843,219 S * 3/2019 Faillant Dumas D9/573
 D852,049 S * 6/2019 Carmen D9/558
 D852,634 S * 7/2019 Balletta D9/550
 D853,242 S 7/2019 Colombo
 D855,471 S 8/2019 Kim
 D857,509 S 8/2019 Staab et al.
 D864,725 S 10/2019 Staab et al.
 D932,920 S * 10/2021 Slimane D9/571
 D935,889 S * 11/2021 Bodum D9/563

FOREIGN PATENT DOCUMENTS

CN 303851888 9/2016
 HK 1601414.6 7/2016
 KR 3009995380001 3/2019

* cited by examiner

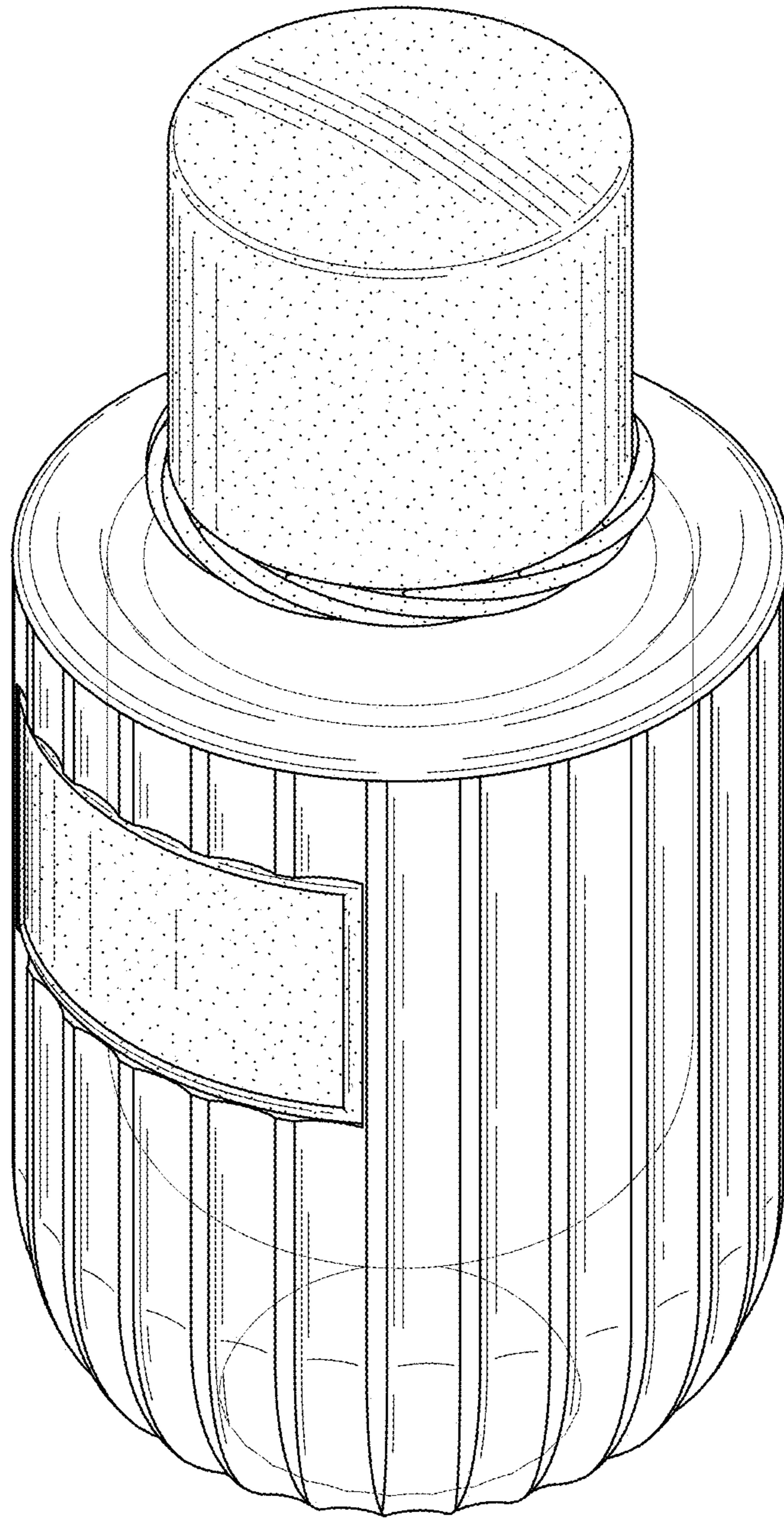


FIG. 1

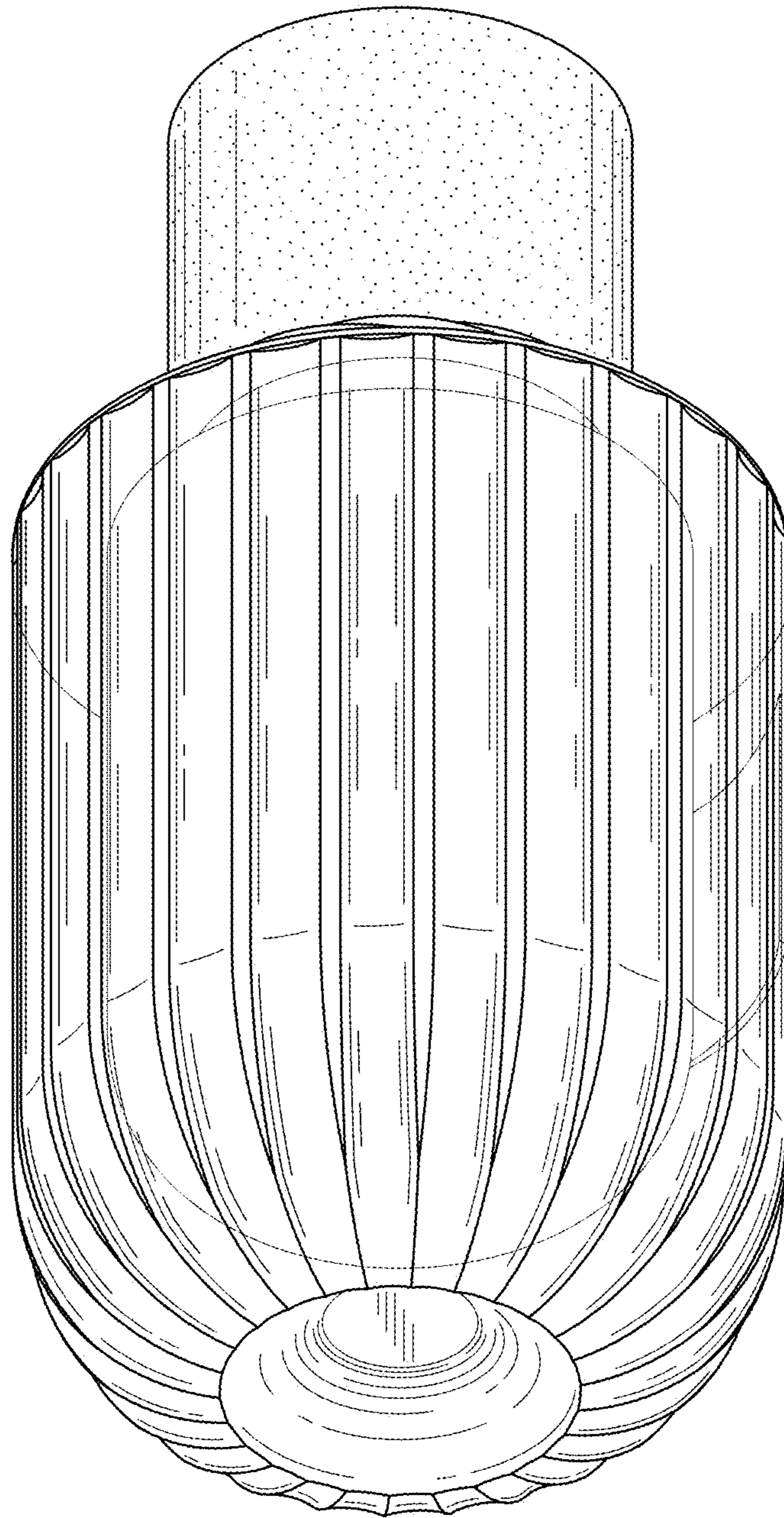


FIG. 2

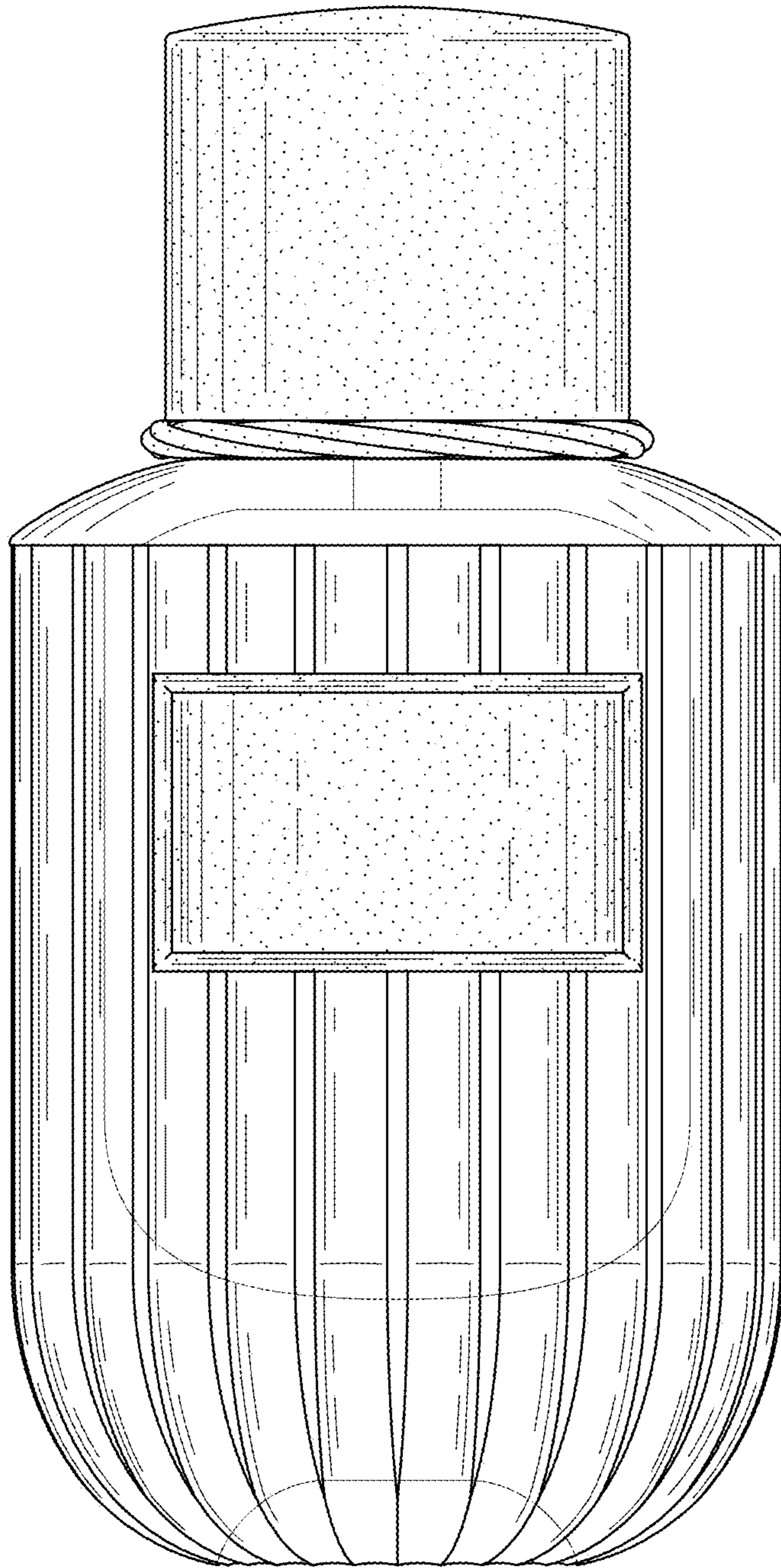


FIG. 3

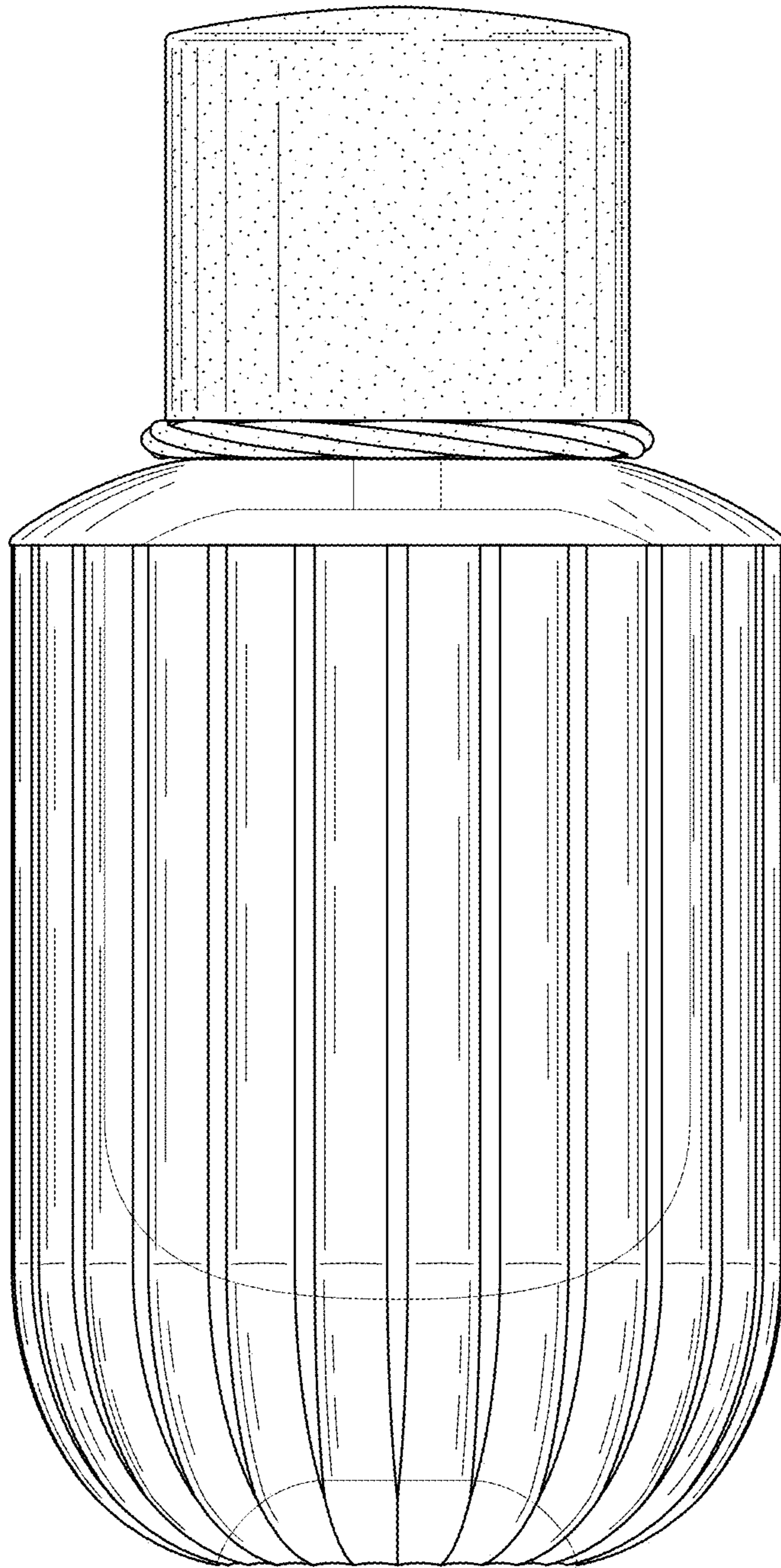


FIG. 4

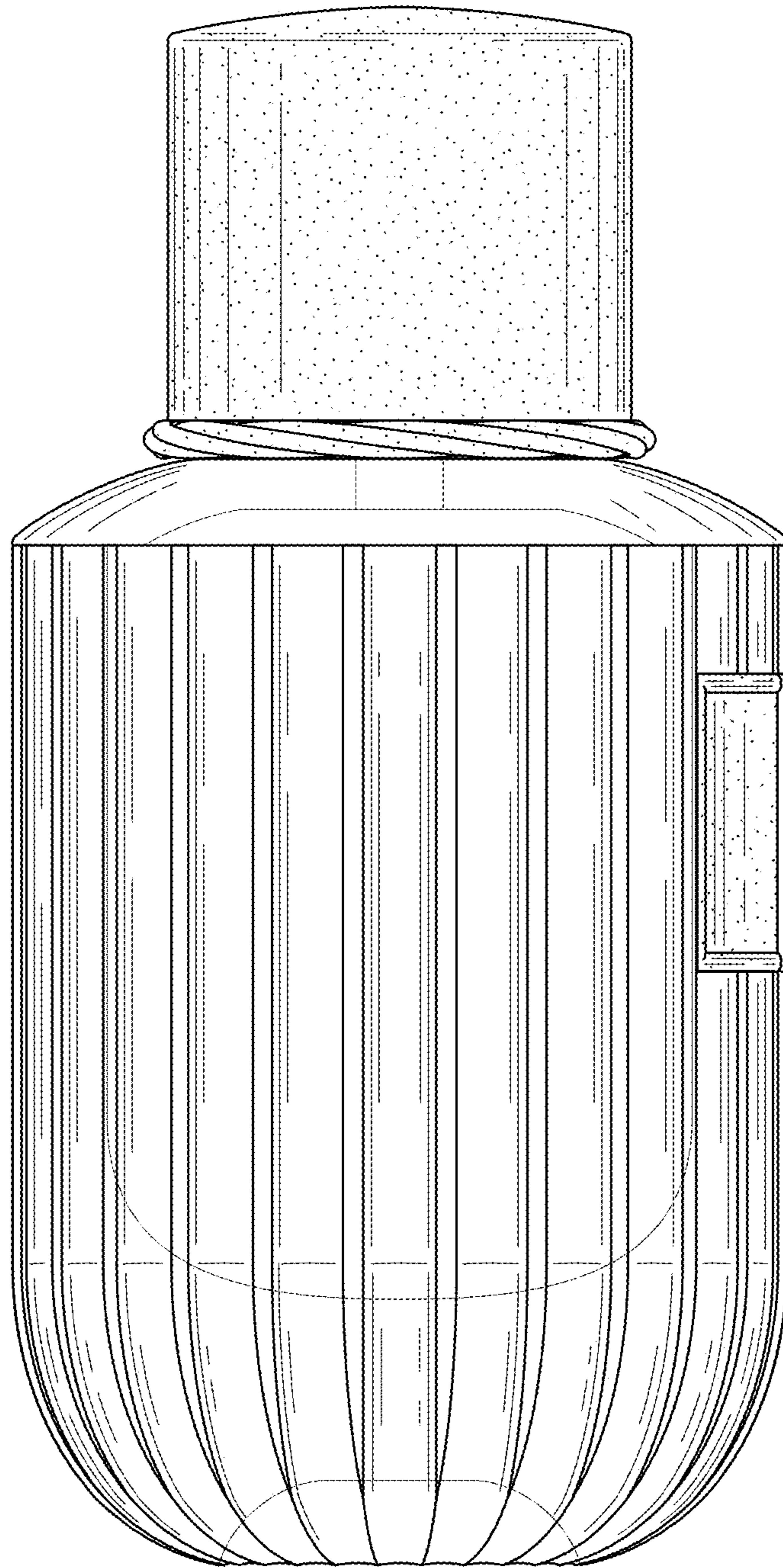


FIG. 5

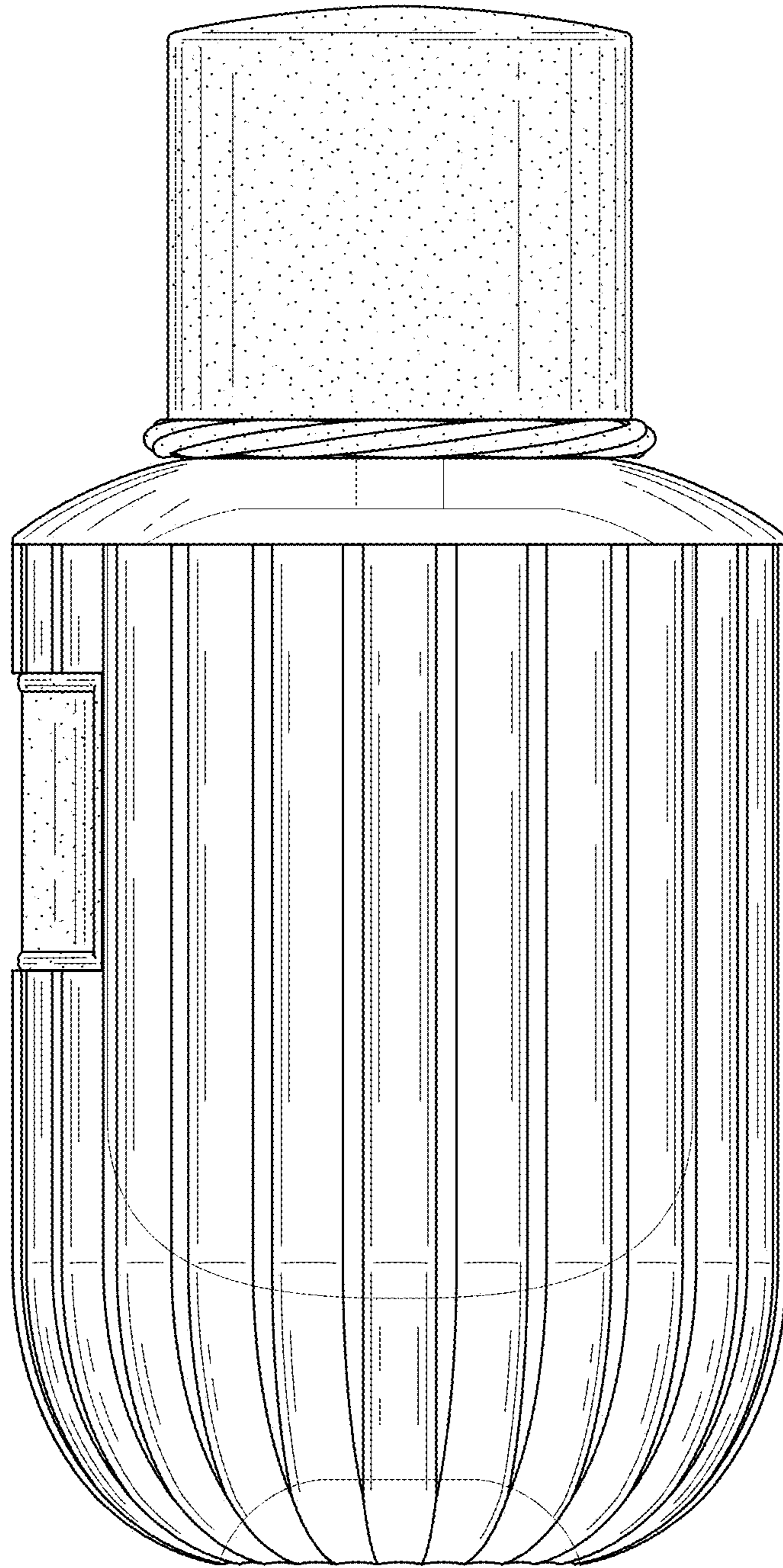


FIG. 6

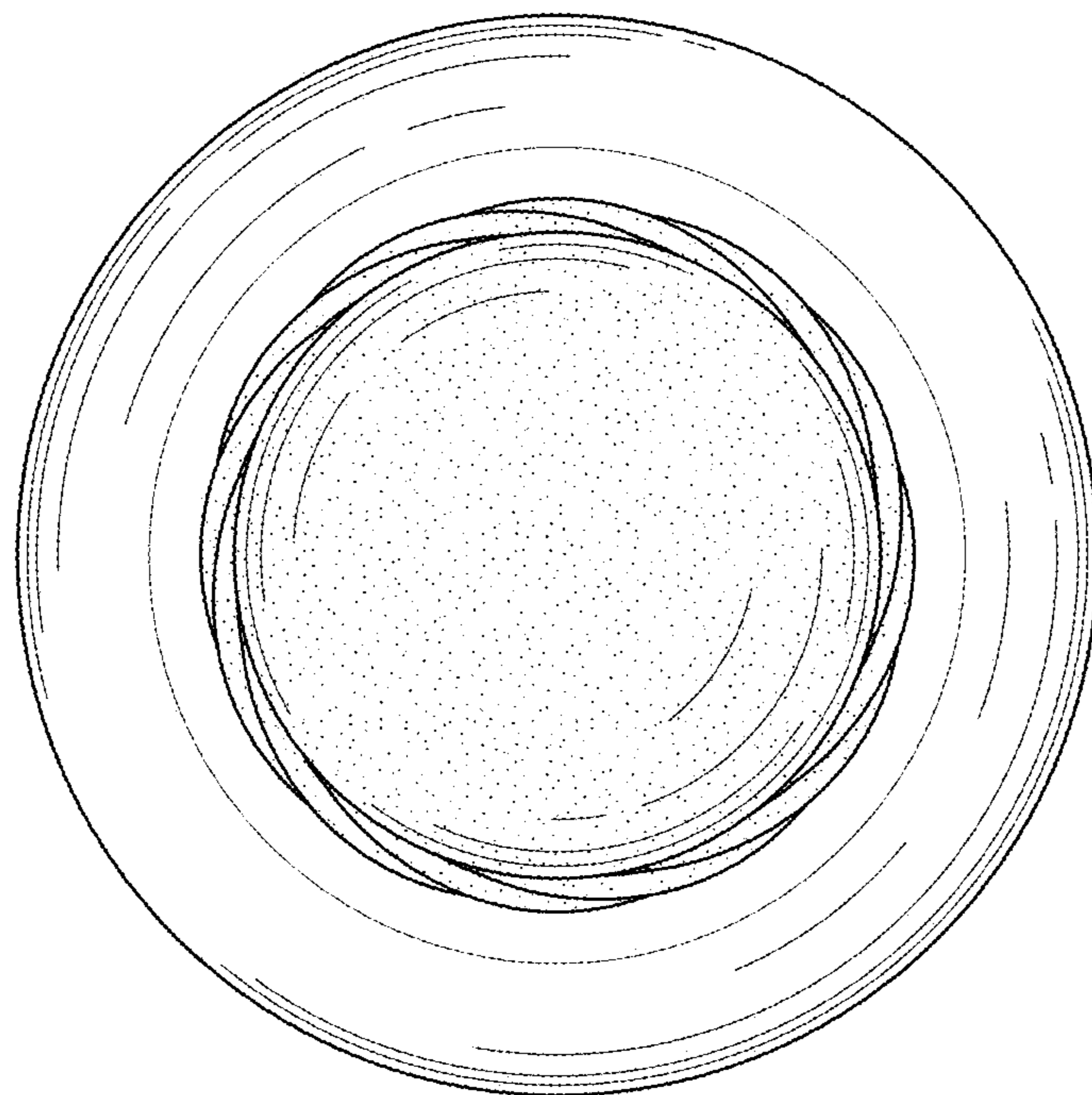


FIG. 7

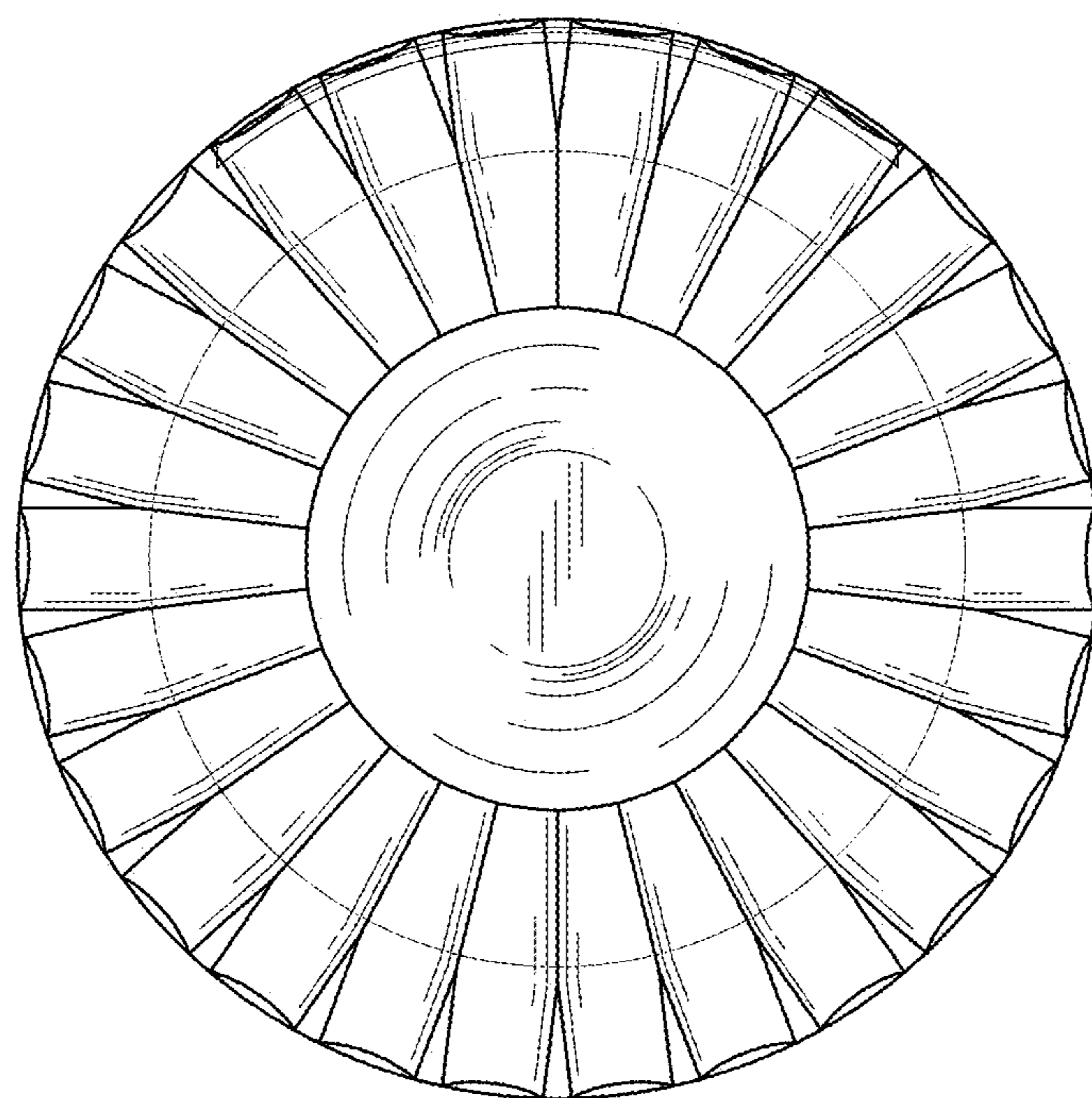


FIG. 8