

US00D964174S

(12) **United States Design Patent**
Rentz Henry et al.

(10) **Patent No.: US D964,174 S**

(45) **Date of Patent: ** *Sep. 20, 2022**

(54) **FRAGRANCE BOTTLE**

(71) Applicant: **ELC MANAGEMENT LLC**, Melville,
NY (US)

(72) Inventors: **Lisa Rentz Henry**, Ridgewood, NY
(US); **Judith Shalva Waletzky**,
Brooklyn, NY (US)

(73) Assignee: **ELC MANAGEMENT LLC**, Melville,
NY (US)

(*) Notice: This patent is subject to a terminal dis-
claimer.

(**) Term: **15 Years**

(21) Appl. No.: **29/735,115**

(22) Filed: **May 19, 2020**

(51) **LOC (13) Cl.** **09-01**

(52) **U.S. Cl.**
USPC **D9/550; D9/556**

(58) **Field of Classification Search**
USPC D9/414, 428, 502, 537, 549, 550, 556,
D9/558, 559, 563, 569, 573-575,
D9/688-692, 545; D28/82, 91.1; D26/22
CPC B65D 1/0223; B65D 2501/0036; B65D
81/3841; B65D 81/3869; A45D 40/0068;
B29C 53/285

See application file for complete search history.

(56) **References Cited**

U.S. PATENT DOCUMENTS

D62,399 S *	5/1923	Javal	D9/556
D92,781 S *	7/1934	Tricard	D9/550
D129,736 S *	9/1941	Vuilleminot	D28/91.1
D187,244 S *	2/1960	Morris	D9/556
D359,690 S *	6/1995	Heinz	D9/556
D418,061 S *	12/1999	Starker	D9/556
D545,208 S	6/2007	Modjeski		
D549,582 S	8/2007	Lloyd et al.		

D619,472 S	7/2010	Papiernik		
D661,198 S *	6/2012	Duecker	D9/556
D663,619 S	7/2012	Pillet		
D742,752 S *	11/2015	Castiglioni	D9/550

(Continued)

FOREIGN PATENT DOCUMENTS

AU	326164	6/2009
CN	303667891	5/2016

(Continued)

Primary Examiner — Brett Miller

Assistant Examiner — Rani J Abdallah

(74) *Attorney, Agent, or Firm* — Yonggang Wu

(57) **CLAIM**

The ornamental design for a fragrance bottle, as shown and described.

DESCRIPTION

FIG. 1 is a top perspective view of a fragrance bottle showing the claimed design;

FIG. 2 is a bottom perspective view of the fragrance bottle shown in FIG. 1;

FIG. 3 is a front view of the fragrance bottle shown in FIG. 1;

FIG. 4 is a rear view of the fragrance bottle shown in FIG. 1;

FIG. 5 is a left view of the fragrance bottle shown in FIG. 1;

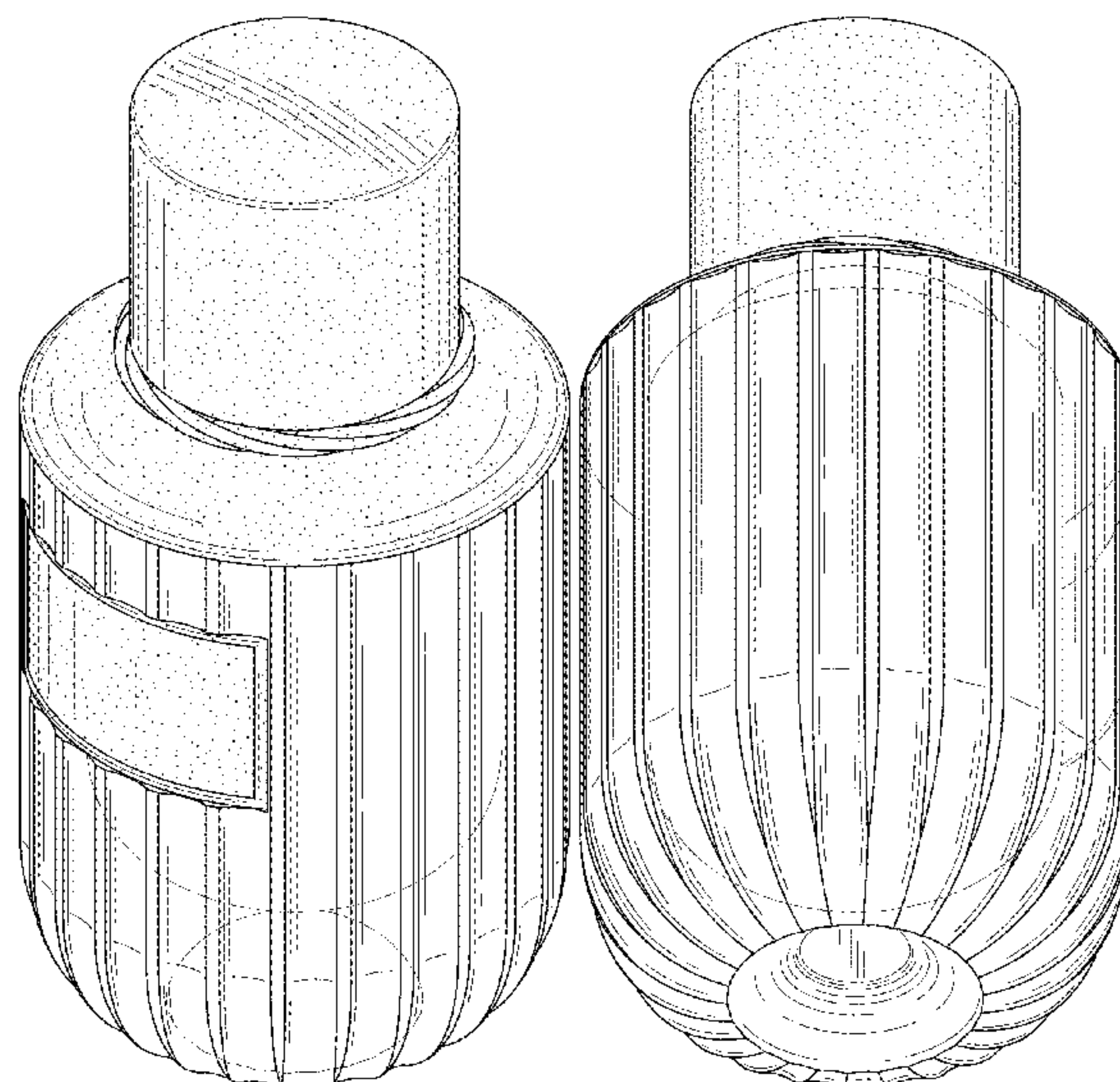
FIG. 6 is a right view of the fragrance bottle shown in FIG. 1;

FIG. 7 is a top view of the fragrance bottle shown in FIG. 1; and,

FIG. 8 is a bottom view of the fragrance bottle shown in FIG. 1.

Exterior opaque surfaces are indicated with stipple shading. All exterior surfaces without stipple shading are transparent. Stipple shading does not indicate surface texture.

1 Claim, 7 Drawing Sheets



(56)

References Cited

U.S. PATENT DOCUMENTS

D744,846 S * 12/2015 Koop D9/550
D763,697 S * 8/2016 Lee D9/558
D772,718 S * 11/2016 Lee D9/558
D773,311 S * 12/2016 Park D9/558
D779,334 S * 2/2017 White D9/556
D781,715 S * 3/2017 Lee D9/558
D790,051 S * 6/2017 Valentino D9/558
D813,048 S 3/2018 Hamel et al.
D817,178 S * 5/2018 Jeong D9/558
D827,447 S * 9/2018 Prinz D9/545
D832,710 S 11/2018 Kim
D843,219 S * 3/2019 Faillant Dumas D9/573
D852,049 S * 6/2019 Carmen D9/558
D852,634 S * 7/2019 Balletta D9/550
D853,242 S 7/2019 Colombo
D855,471 S 8/2019 Kim
D857,509 S 8/2019 Staab et al.
D864,725 S 10/2019 Staab et al.
D932,920 S * 10/2021 Slimane D9/571
D935,889 S * 11/2021 Bodum D9/563

FOREIGN PATENT DOCUMENTS

CN 303851888 9/2016
HK 1601414.6 7/2016
KR 3009995380001 3/2019

* cited by examiner

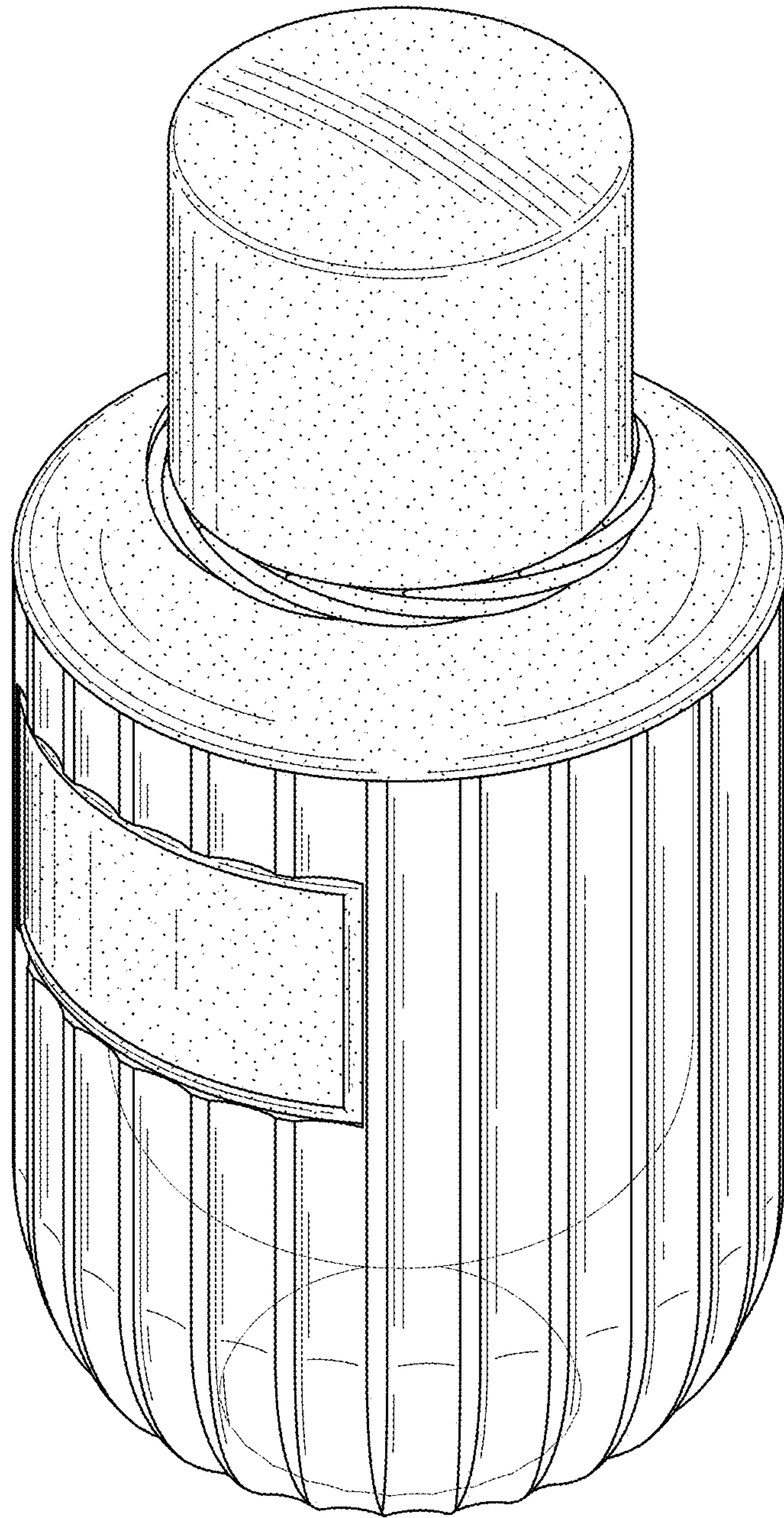


FIG. 1

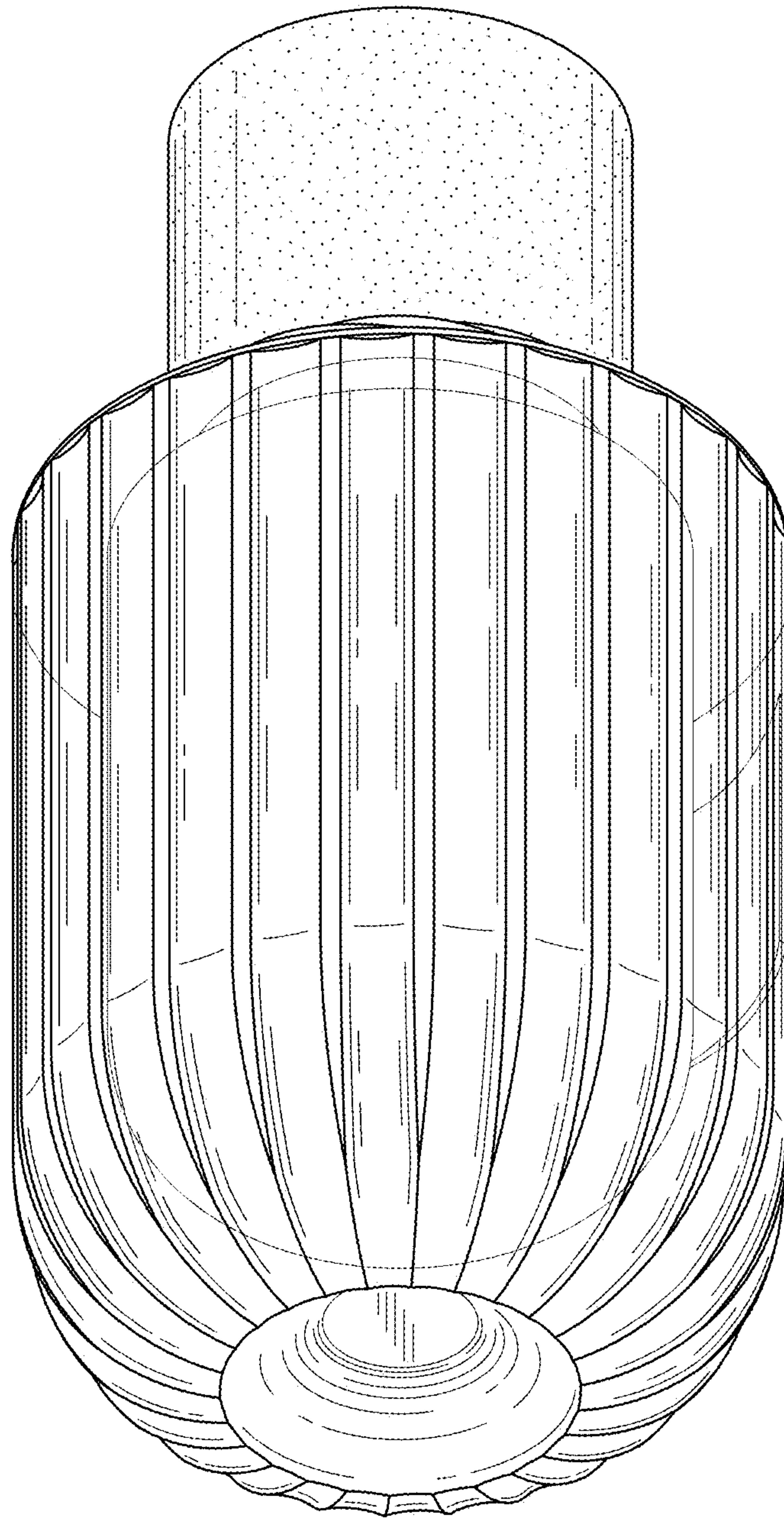


FIG. 2

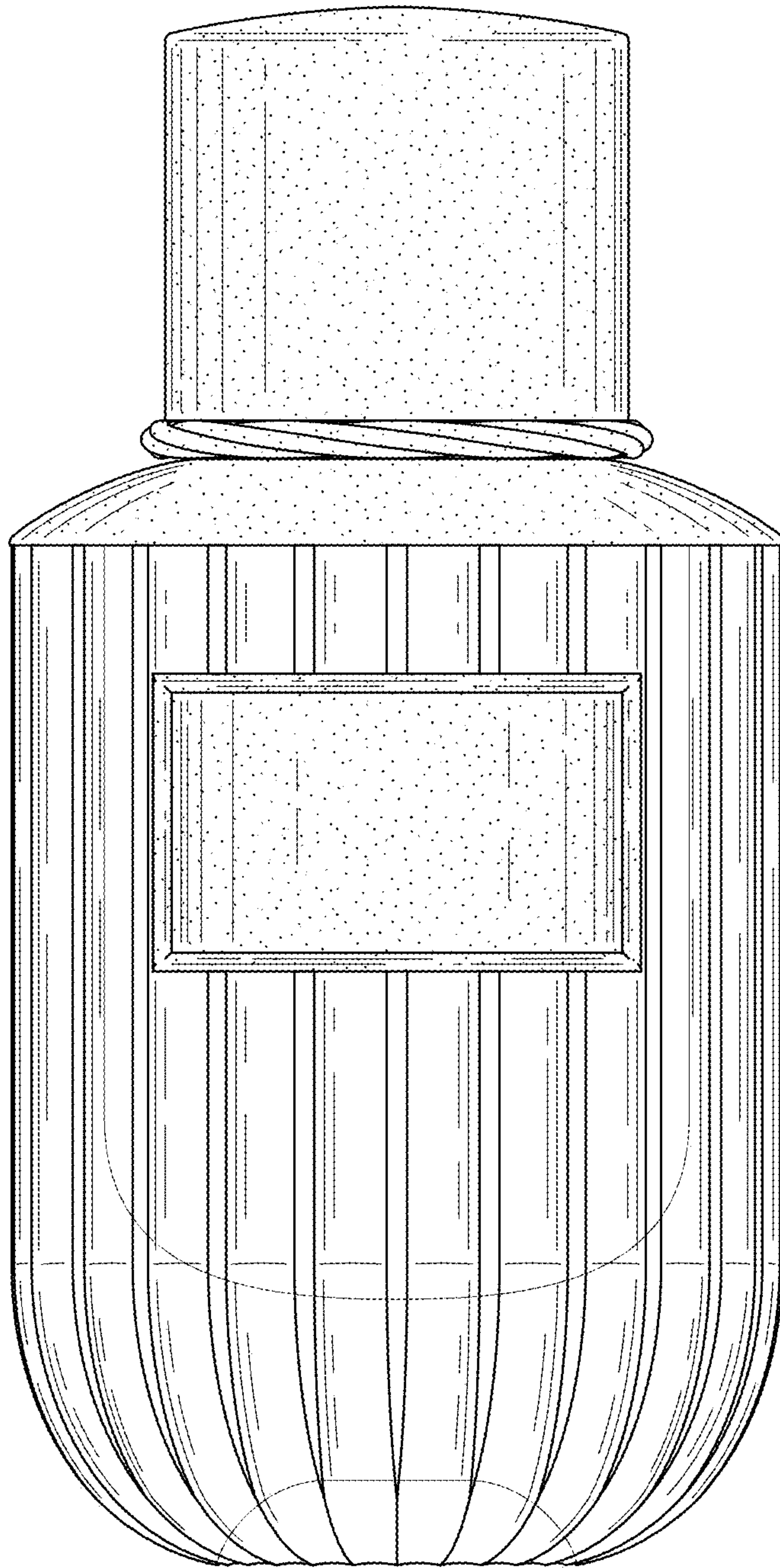


FIG. 3

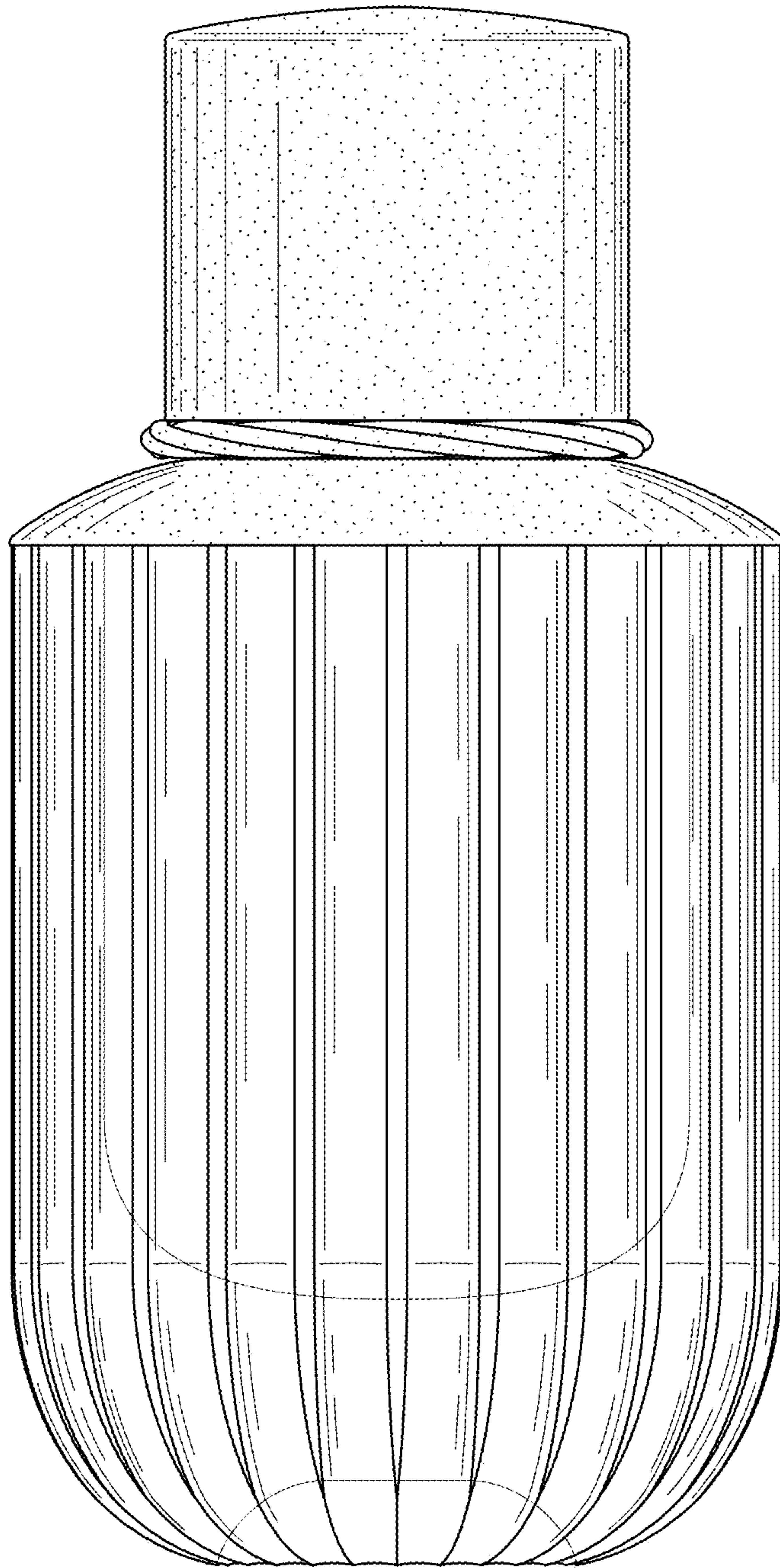


FIG. 4

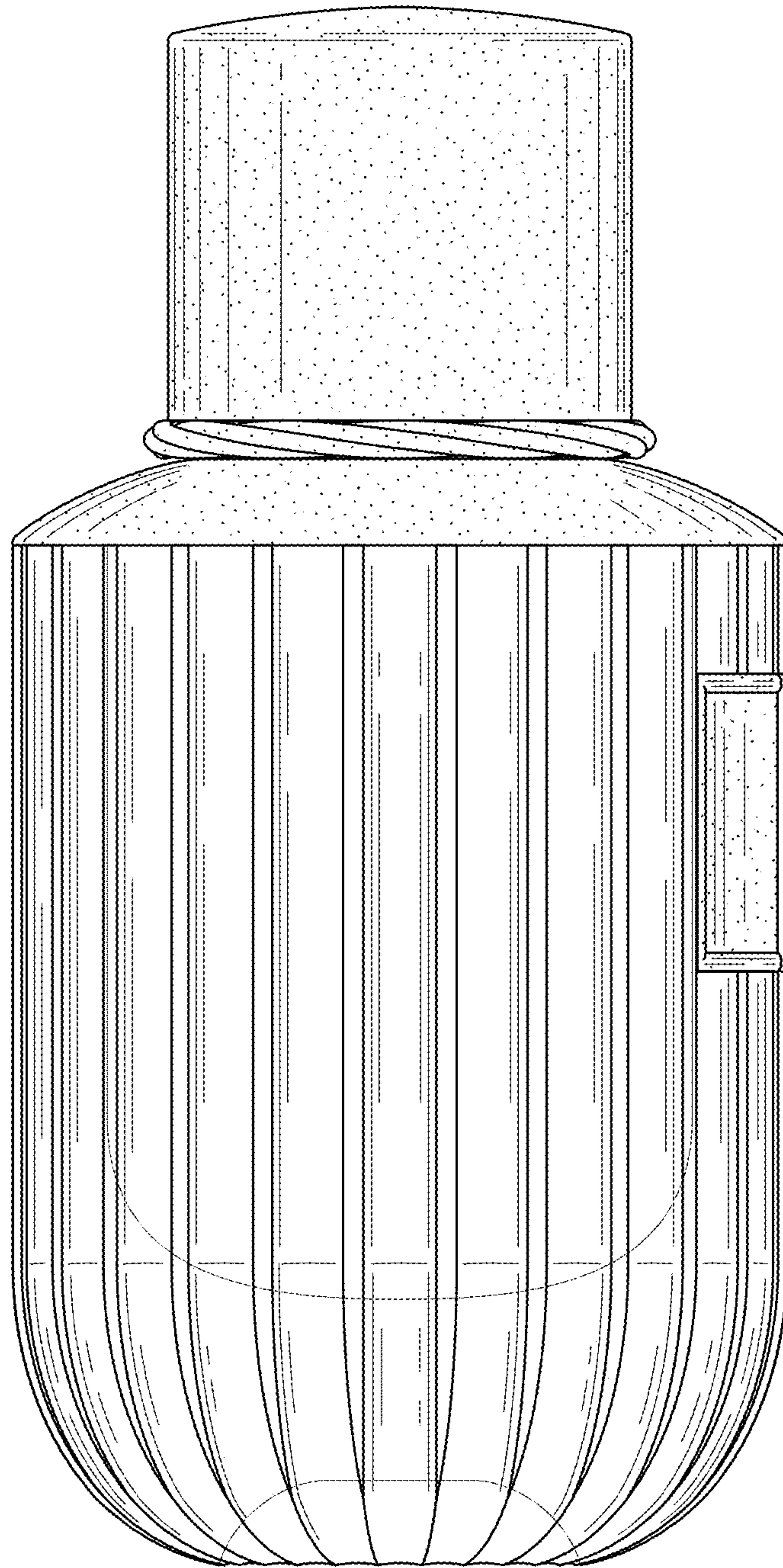


FIG. 5

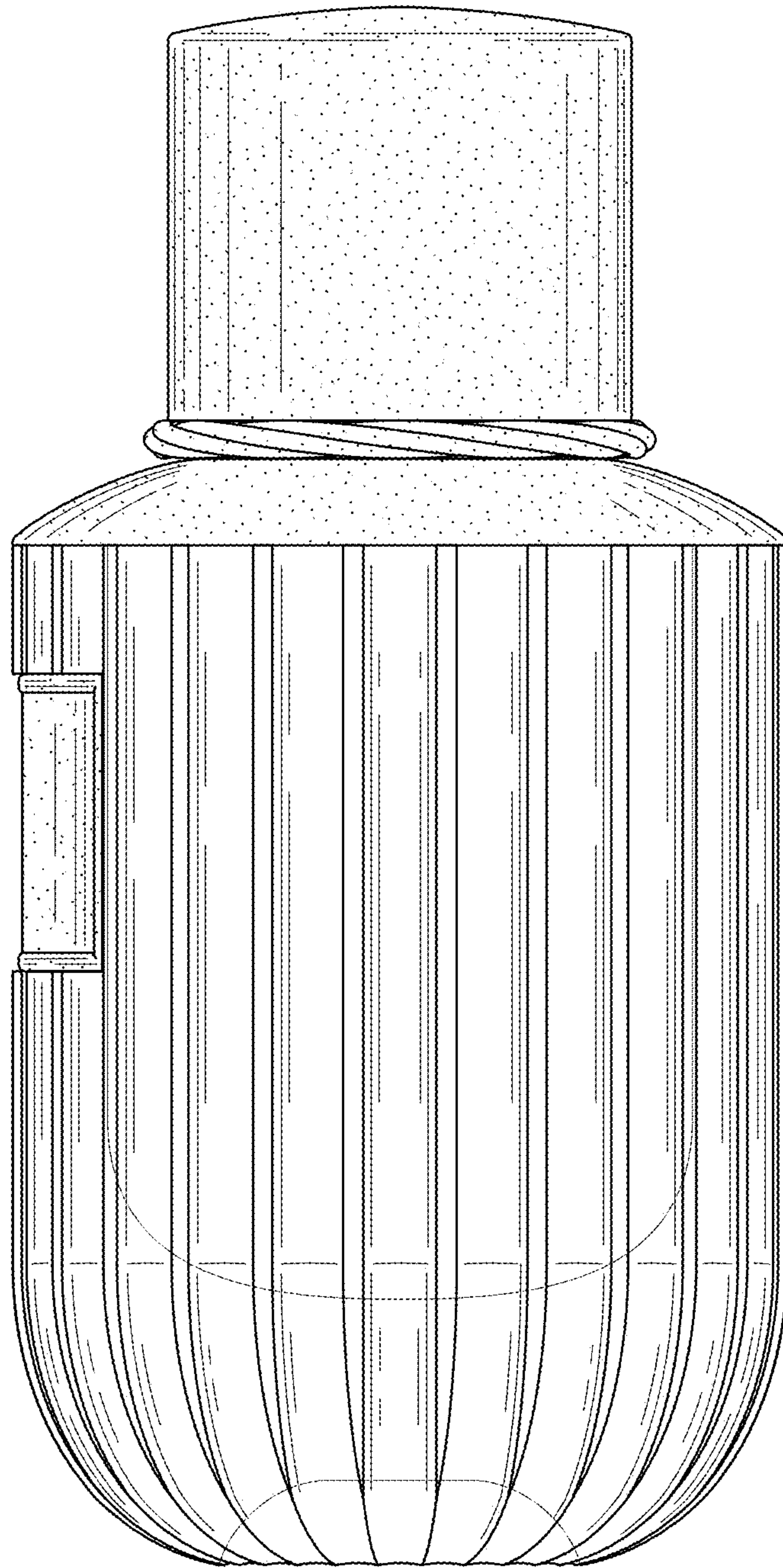


FIG. 6

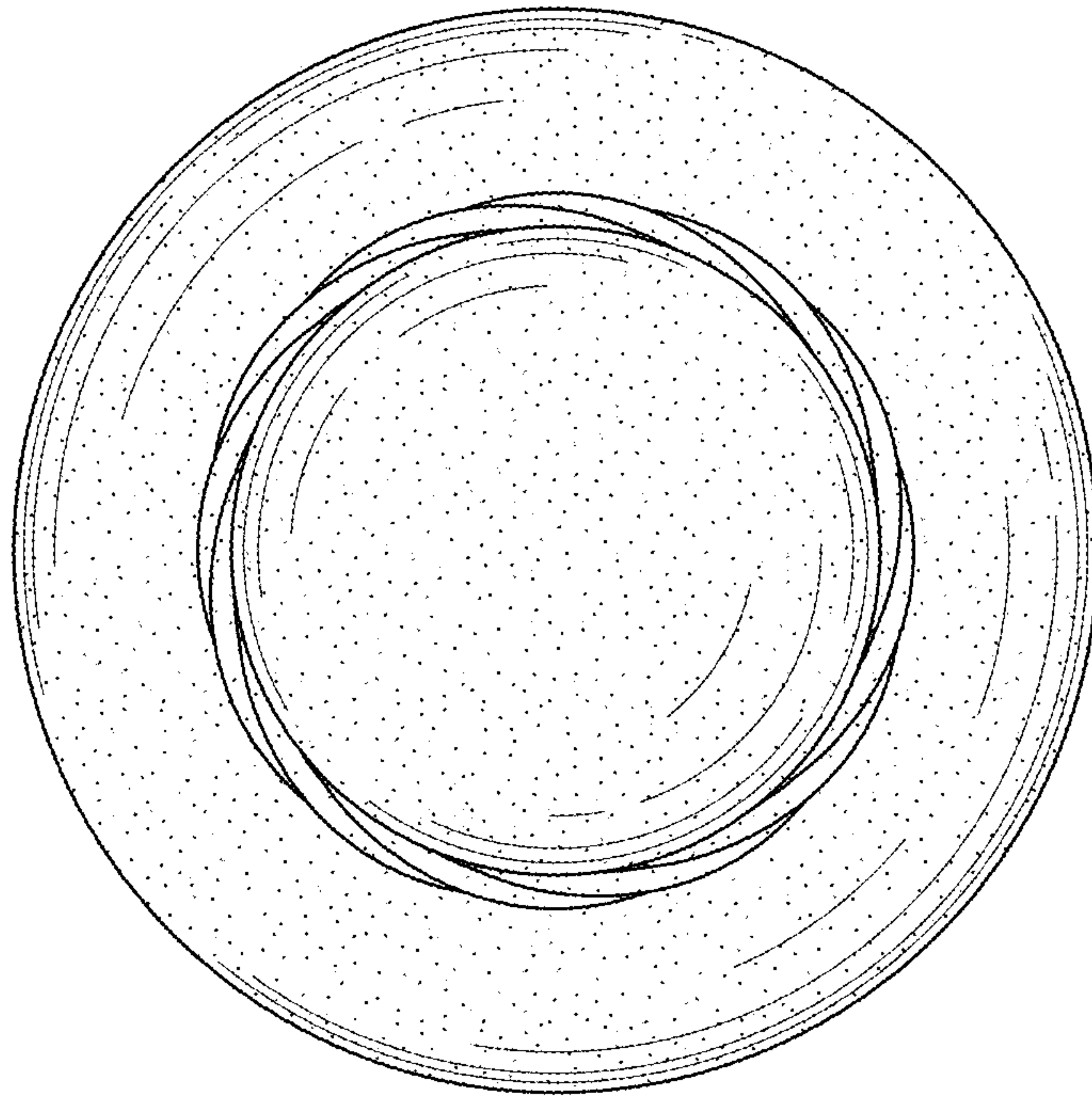


FIG. 7

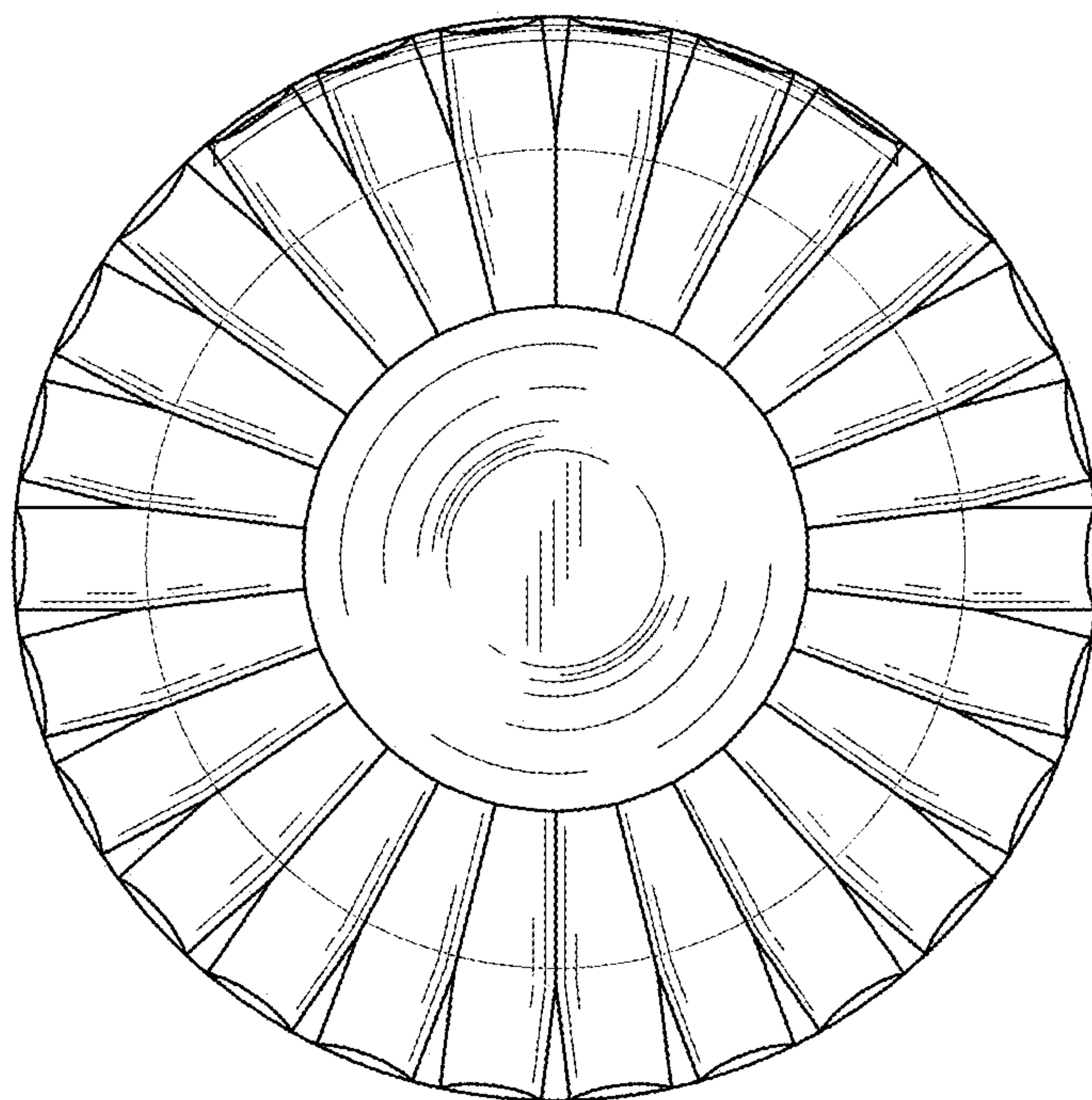


FIG. 8