

US00D964173S

(12) **United States Design Patent**
Melkonian

(10) **Patent No.:** **US D964,173 S**

(45) **Date of Patent:** **** Sep. 20, 2022**

(54) **BOTTLE**

(71) Applicant: **Brio Water Technology, Inc.**, City of Industry, CA (US)

(72) Inventor: **Arman Melkonian**, Granada Hills, CA (US)

(73) Assignee: **Brio Water Technology, Inc.**, City of Industry, CA (US)

(**) Term: **15 Years**

(21) Appl. No.: **29/740,943**

(22) Filed: **Jul. 8, 2020**

(51) **LOC (13) Cl.** **09-01**

(52) **U.S. Cl.**
USPC **D9/531; D9/553**

(58) **Field of Classification Search**
USPC D9/434, 516, 530-531, 537, 540, 549,
D9/553, 575, 715, 719; D7/509-511,
D7/533, 536

CPC B65D 1/00; B65D 1/02; B65D 1/0223;
B65D 23/00; B65D 23/10; B65D 23/102;
B65D 23/104; B65D 23/106; B65D
2501/00; B65D 2501/0009

See application file for complete search history.

(56) **References Cited**

U.S. PATENT DOCUMENTS

D339,067 S *	9/1993	Rokus	D9/531
D355,367 S *	2/1995	Rokus	D9/531
D361,039 S *	8/1995	Rokus	D9/531
D404,649 S *	1/1999	Meisner	D9/531
D433,636 S *	11/2000	Gonzalez C.	D9/531
D474,692 S *	5/2003	Yu	D9/531
D531,512 S *	11/2006	Yu	D9/531

D624,822 S *	10/2010	Lovelace, Jr.	D9/540
D651,854 S *	1/2012	Cabados	D7/511
D726,018 S *	4/2015	Archer	D9/531
D750,434 S *	3/2016	Kirkpatrick	D7/510
D805,846 S *	12/2017	Kirkpatrick	D7/510
D810,574 S *	2/2018	Melkonian	D9/531
D830,180 S *	10/2018	Melkonian	D9/531
D838,598 S *	1/2019	Melkonian	D9/531
D856,085 S *	8/2019	Archer	D7/510
D871,845 S *	1/2020	Huang	D7/510
D873,668 S *	1/2020	Melkonian	D9/531
D881,647 S *	4/2020	Wang	D7/510
D887,212 S *	6/2020	Wang	D7/511
D889,910 S *	7/2020	Wang	D7/511
D892,561 S *	8/2020	Wang	D7/511
D893,262 S *	8/2020	Wang	D7/511
D893,956 S *	8/2020	Wang	D7/536

* cited by examiner

Primary Examiner — Dana Meyrow

(74) *Attorney, Agent, or Firm* — Foundation Law Group LLP; Sevag Demirjian; J D Harriman

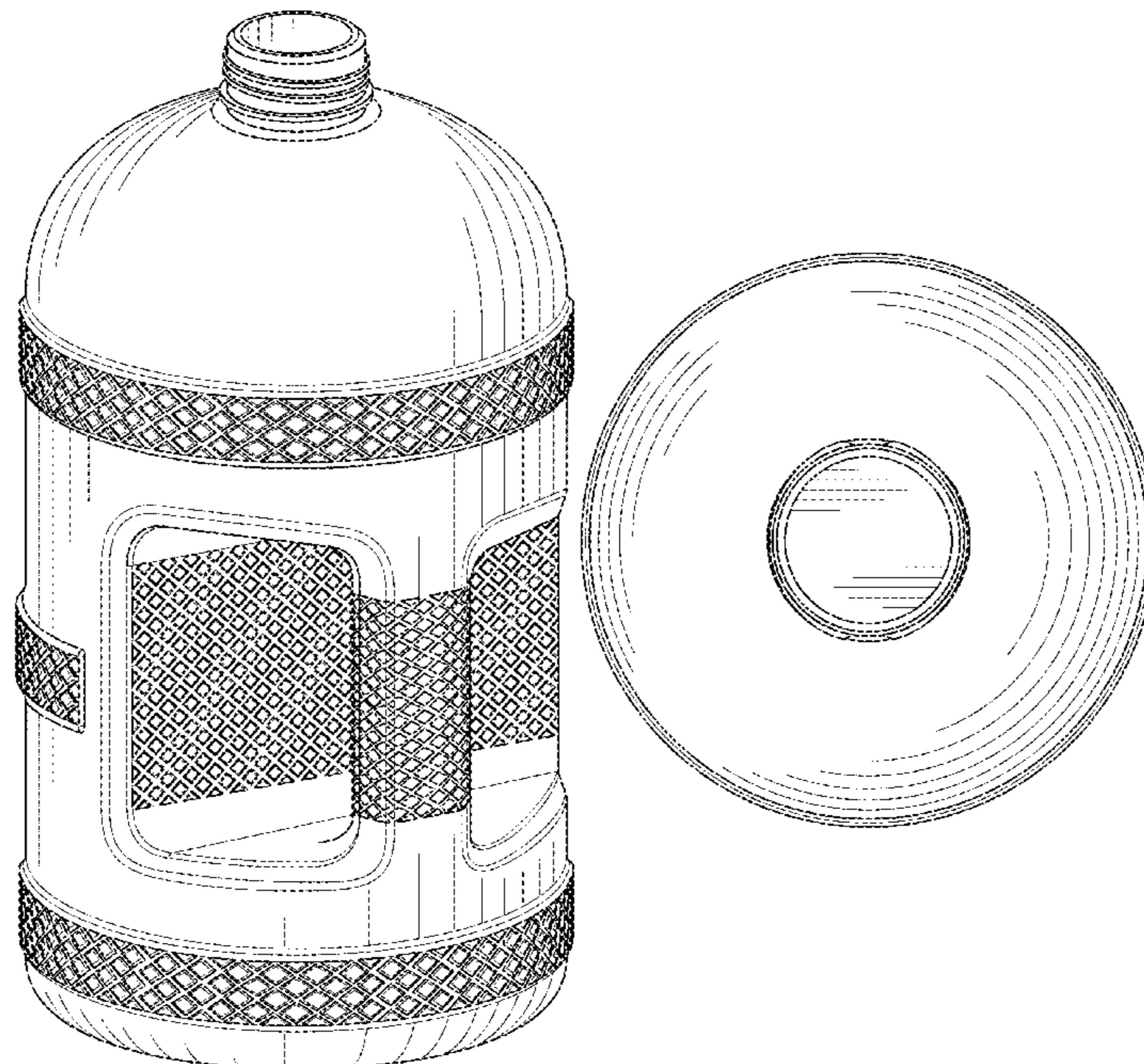
(57) **CLAIM**

I claim the ornamental design for a bottle, as shown and described.

DESCRIPTION

FIG. 1 is a top perspective view, showing our new design; FIG. 2 is a front elevation view thereof; FIG. 3 is a rear elevation view thereof; FIG. 4 is a top plan view thereof; FIG. 5 is a bottom plan view thereof; FIG. 6 is a left side elevation view thereof; and, FIG. 7 is a right-side view thereof. The broken lines show portions of the dispenser that form no part of the claimed design.

1 Claim, 7 Drawing Sheets



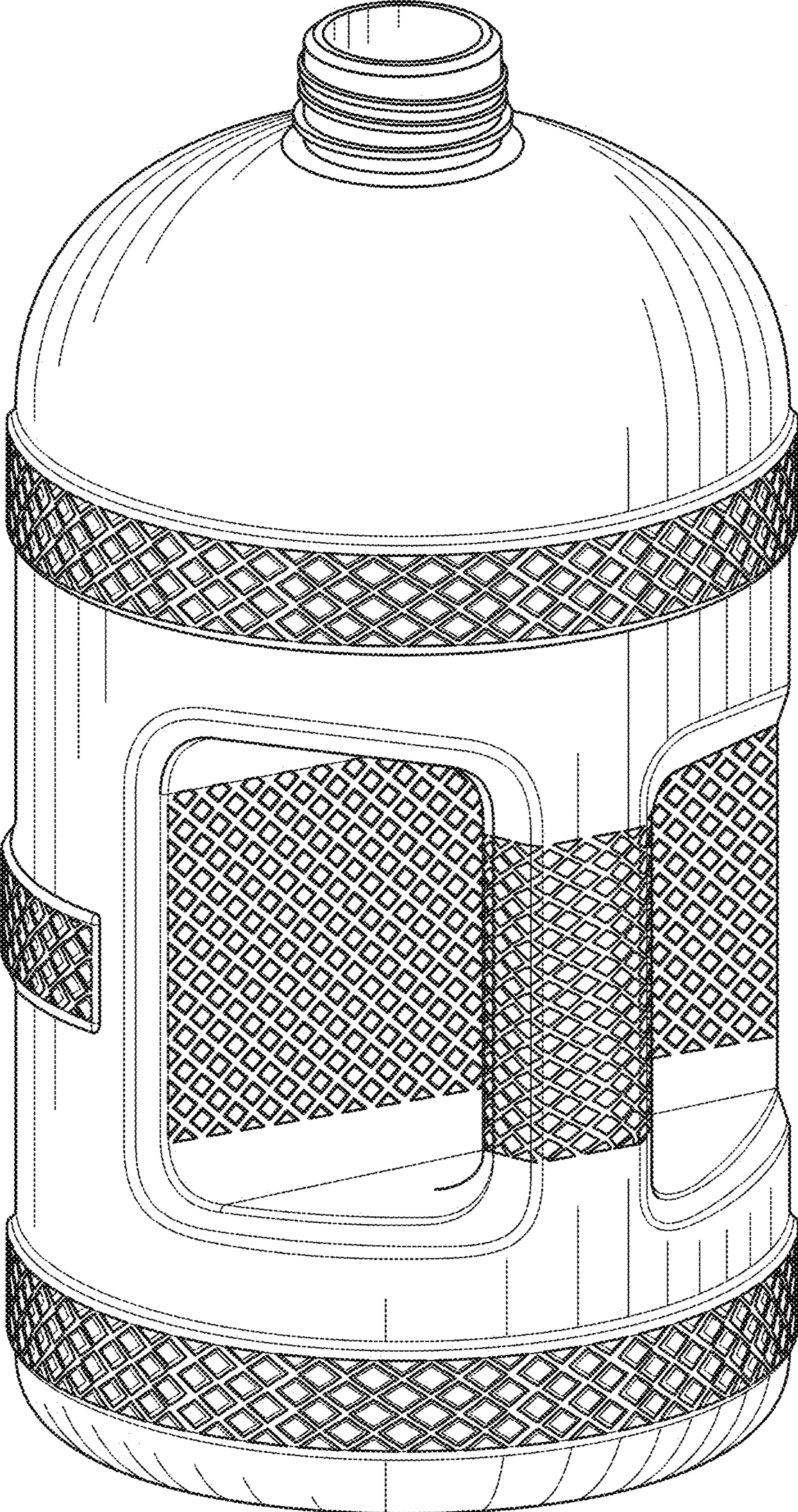


FIG. 1

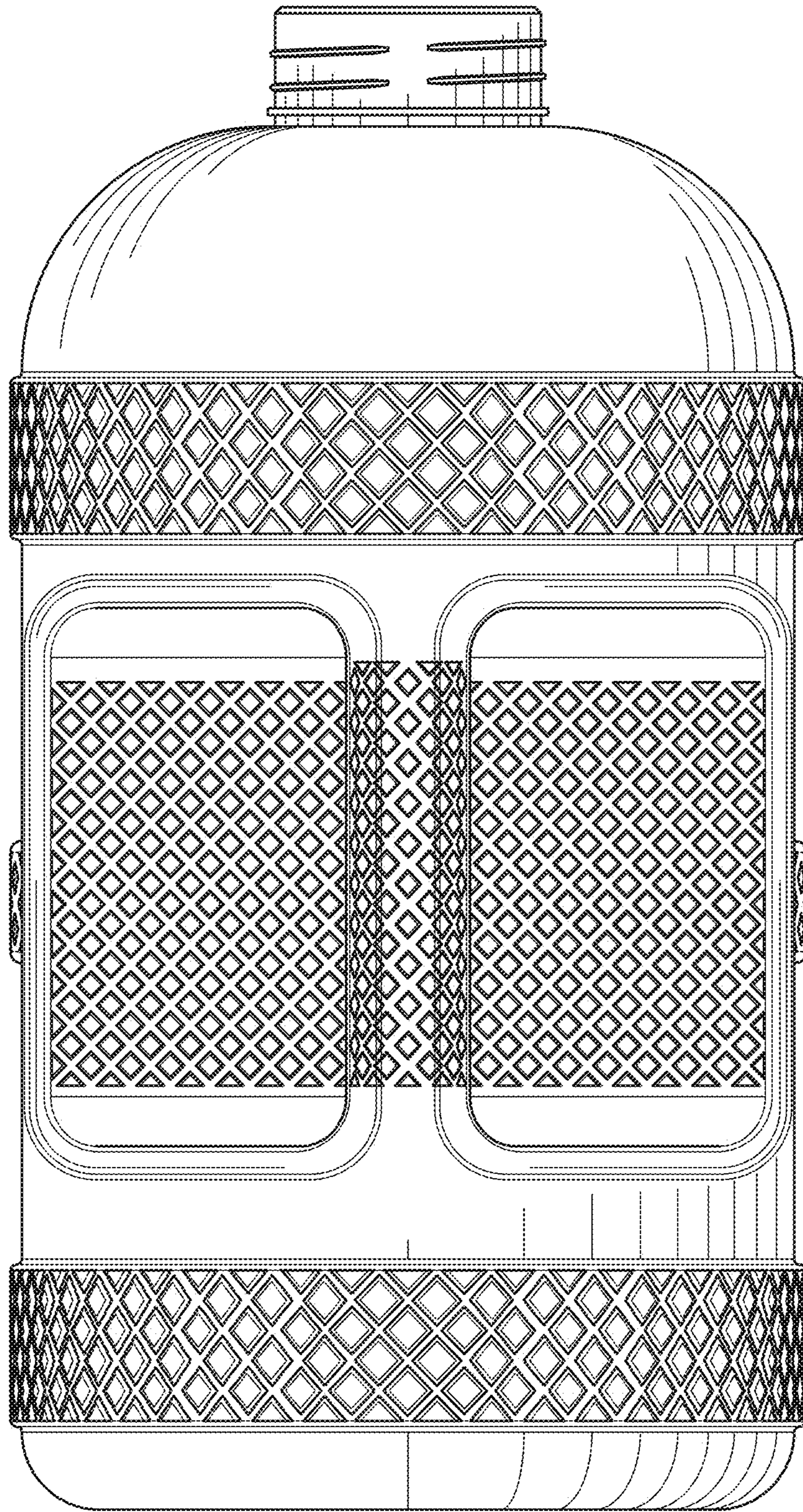


FIG. 2

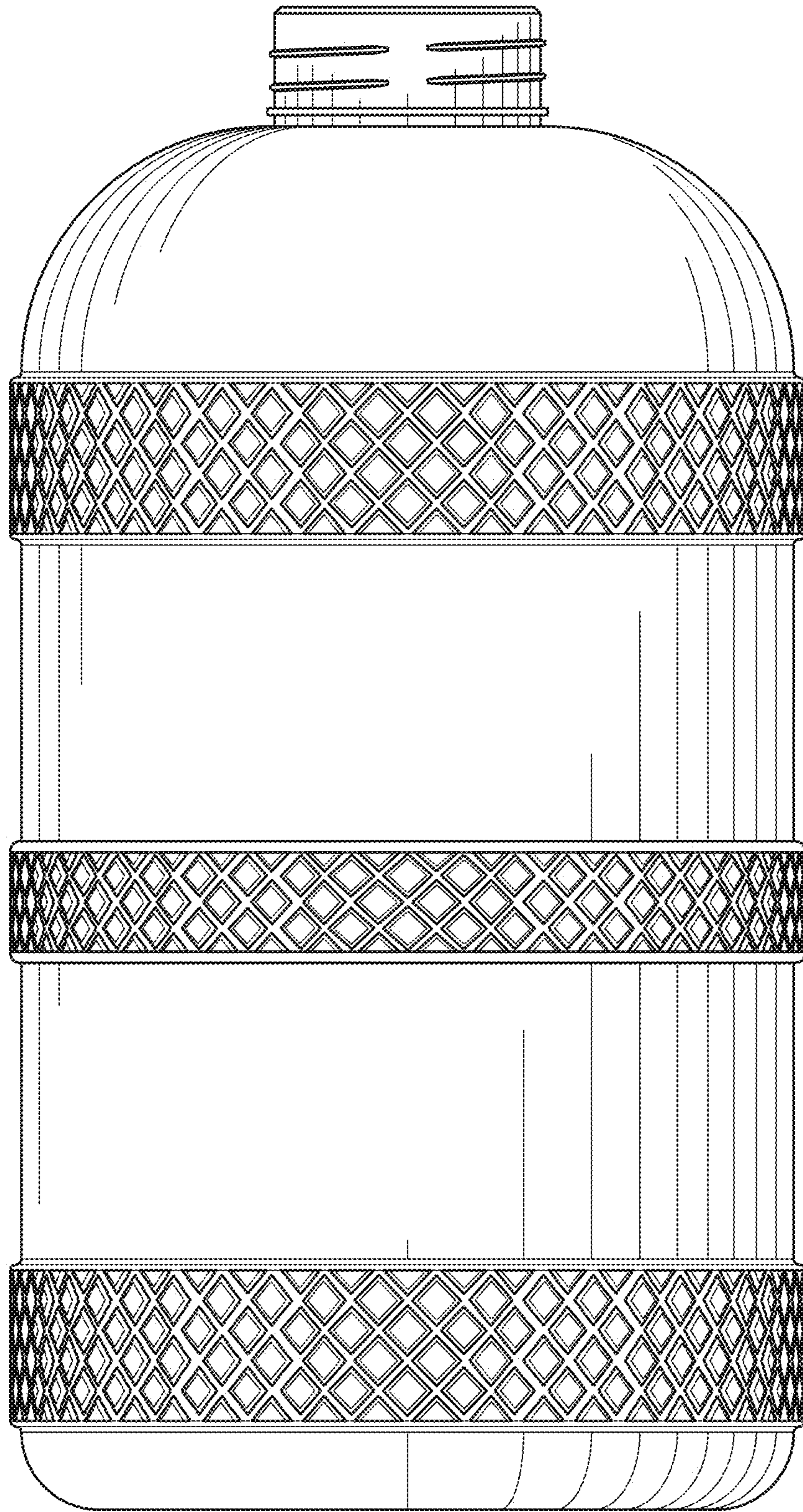


FIG. 3

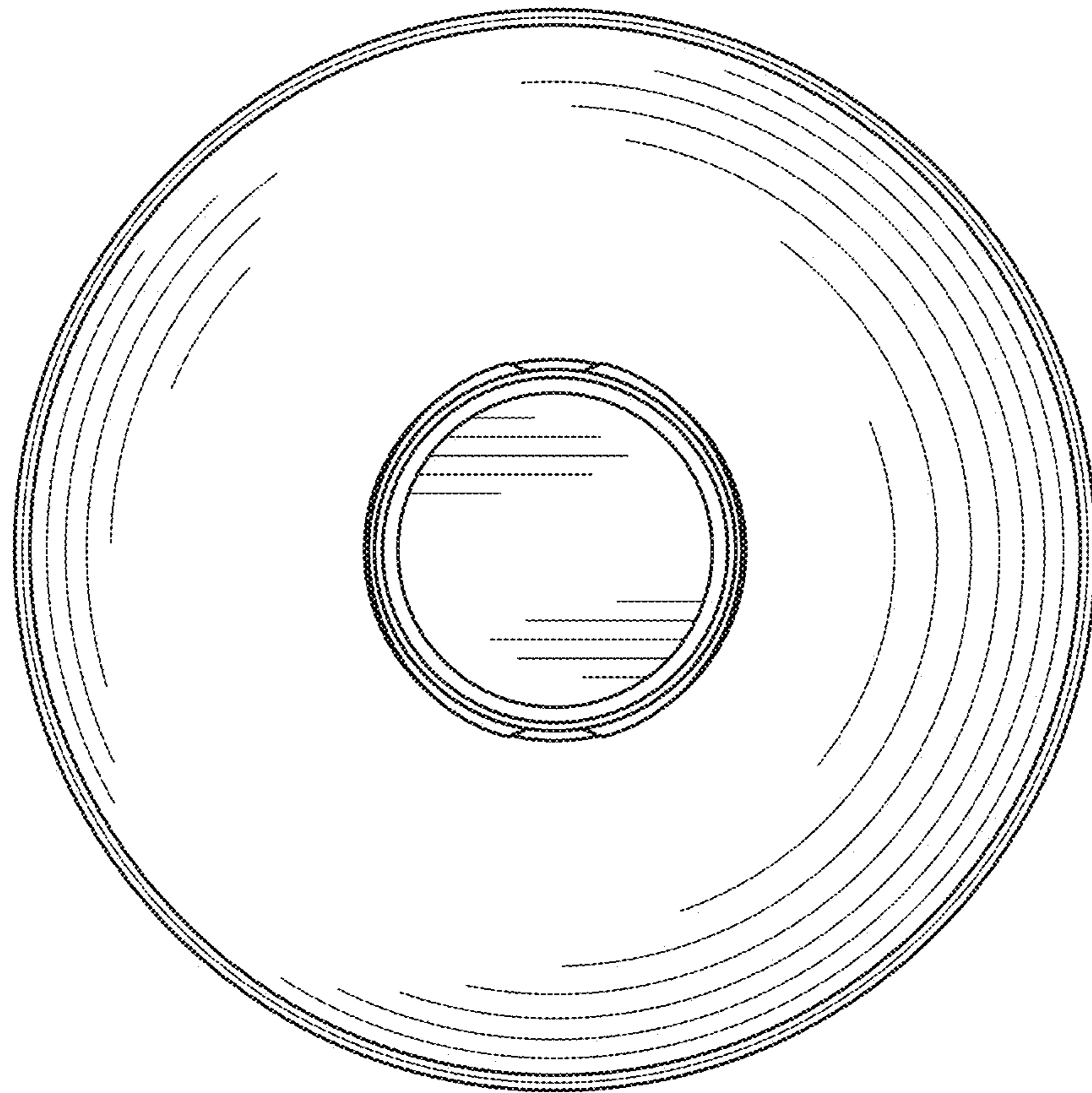


FIG. 4

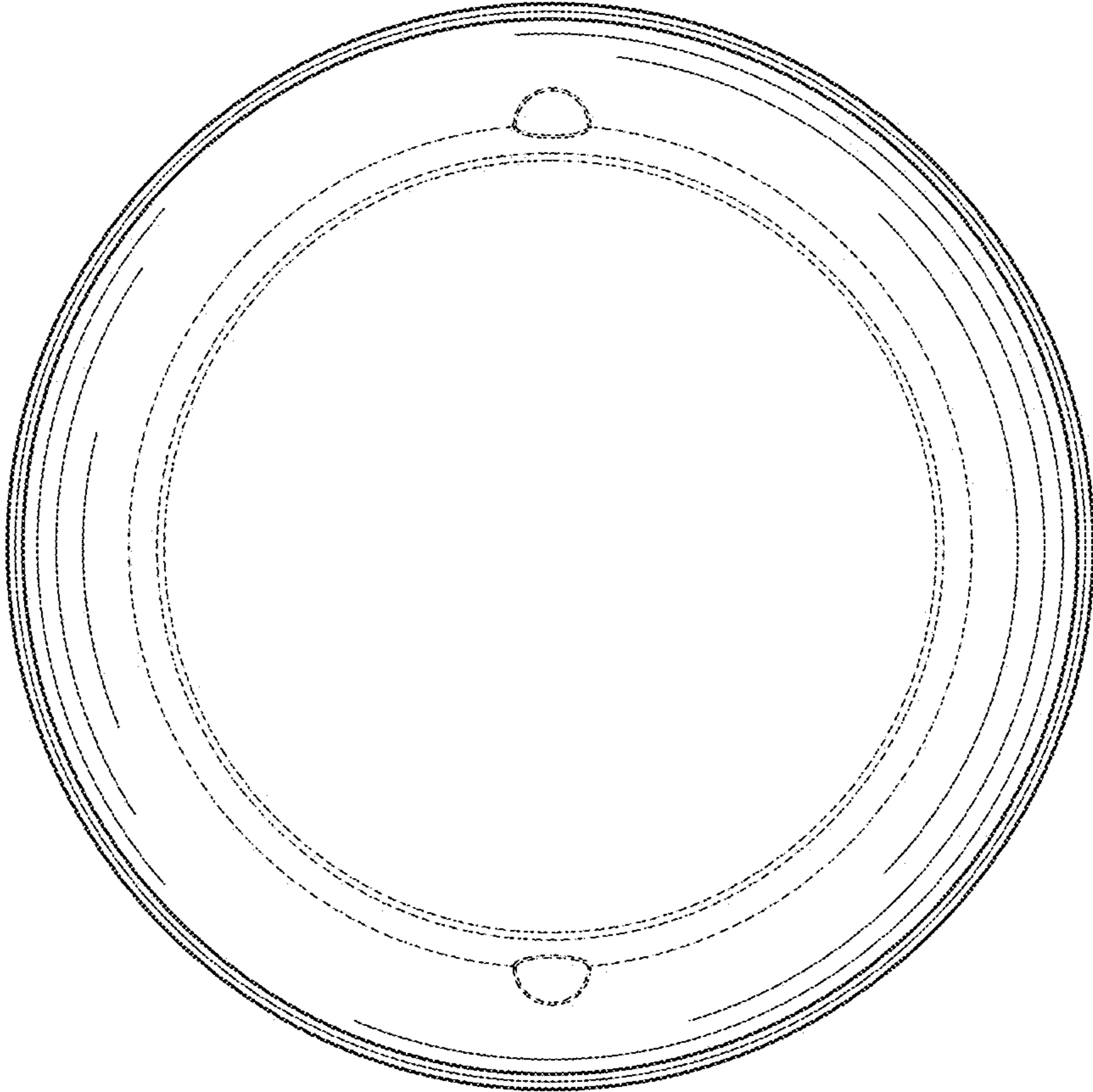


FIG. 5

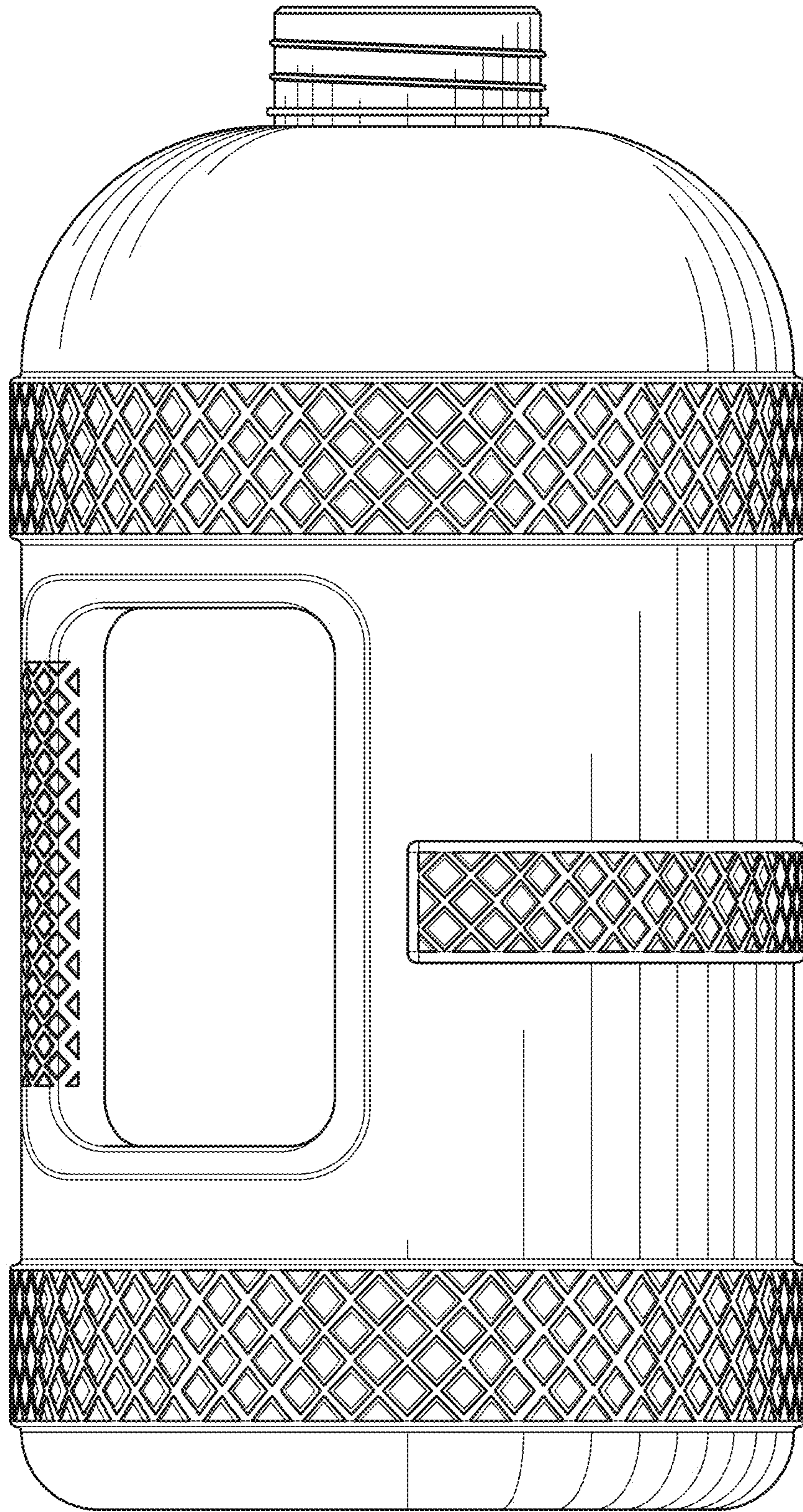


FIG. 6

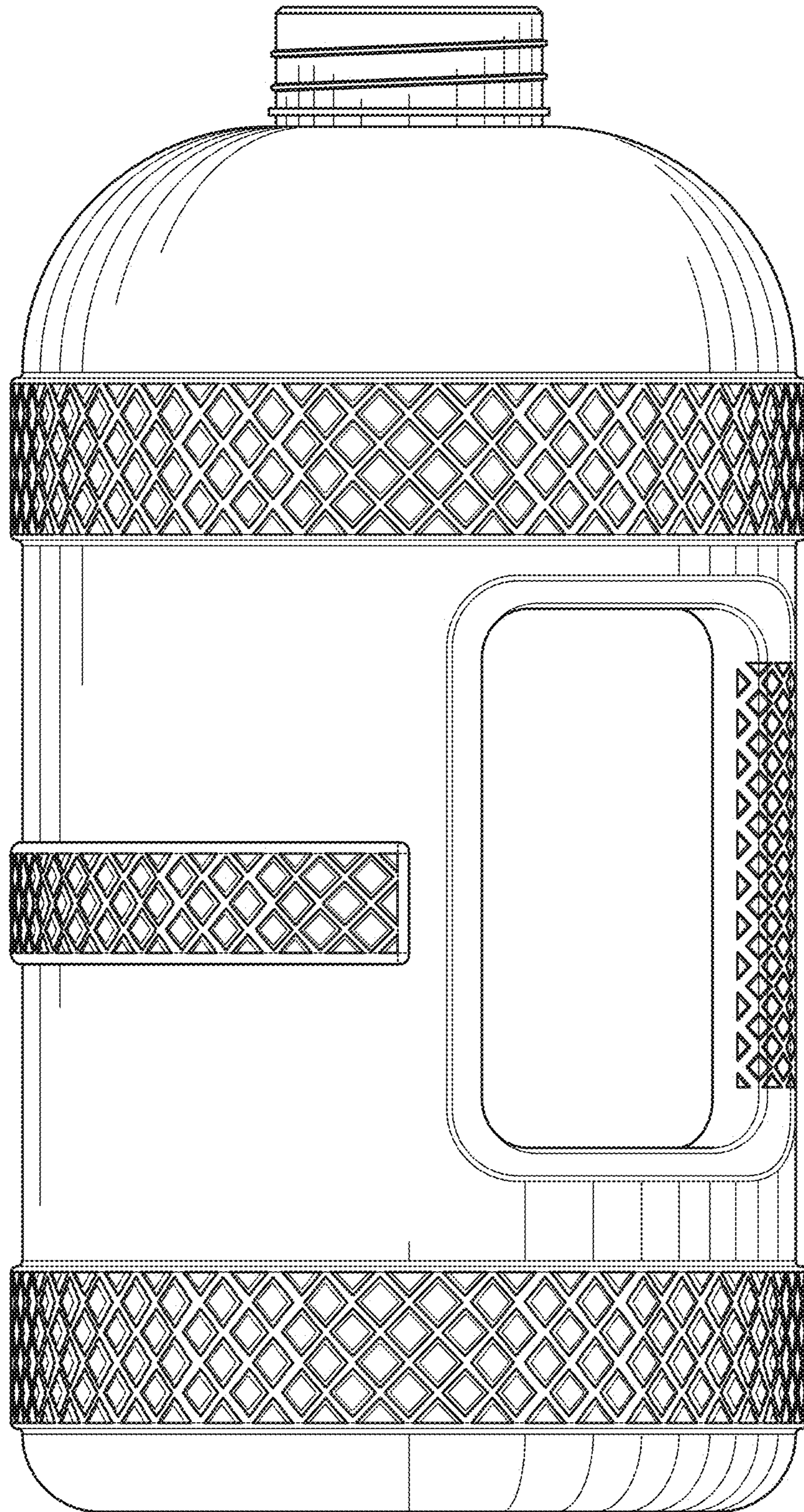


FIG. 7