



US00D964171S

(12) **United States Design Patent** (10) **Patent No.:** **US D964,171 S**
Gysel et al. (45) **Date of Patent:** **** Sep. 20, 2022**

- (54) **PHARMACEUTICAL PACKAGE**
- (71) Applicant: **Janssen Biotech, Inc.**, Horsham, PA (US)
- (72) Inventors: **Cedric Gysel**, Zurich/Canton Zurich (CH); **Michael Cannamela**, Atlantic Highlands, NJ (US); **Roland Schultz**, Stein (CH); **Peter Braun**, Hallau (CH)
- (73) Assignee: **Janssen Biotech, Inc.**, Horsham, PA (US)
- (**) Term: **15 Years**
- (21) Appl. No.: **29/834,649**
- (22) Filed: **Apr. 13, 2022**

Related U.S. Application Data

- (62) Division of application No. 29/751,225, filed on Sep. 18, 2020, now Pat. No. Des. 949,018.
- (51) **LOC (13) Cl.** **09-07**
- (52) **U.S. Cl.**
USPC **D9/456; D9/425**
- (58) **Field of Classification Search**
USPC D9/415, 418, 424, 425, 456, 732, 737; D24/229
CPC B65D 75/327; B65D 75/36; B65D 75/366; B65D 75/367; B65D 75/32; B65D 2575/3245; B65D 75/326; B65D 2575/366; B65D 2585/88; B65D 75/322; B65D 77/2032; B65D 5/4204; B65D 75/22; B65D 77/0413; B65D 5/4208; B65D 77/02; B65D 25/22; B65D 75/5833; B65D 85/00; B65D 2543/00194; B65D 2301/20; B65D 2575/3218; B65D 73/0007; B65D 73/0042

See application file for complete search history.

- (56) **References Cited**
- U.S. PATENT DOCUMENTS
- D249,617 S * 9/1978 Bozicnik 100/34
- 7,441,655 B1 * 10/2008 Hoftman A61B 50/20
206/370
- D698,644 S * 2/2014 Teopas D9/425
- D740,650 S * 10/2015 Waldron D9/414
- D817,172 S * 5/2018 Jones D9/456
- D895,145 S * 9/2020 Smith D24/229
- D906,815 S * 1/2021 Yu D9/456
- D918,032 S * 5/2021 Smith D9/425
- D934,069 S * 10/2021 Cook D9/424
- D949,018 S * 4/2022 Gysel D9/425
- (Continued)

FOREIGN PATENT DOCUMENTS

- JP 1386753 S 5/2010
- TW D103295 3/2005
- TW D103296 3/2005

Primary Examiner — Lauren R Calve

(74) *Attorney, Agent, or Firm* — BakerHostetler

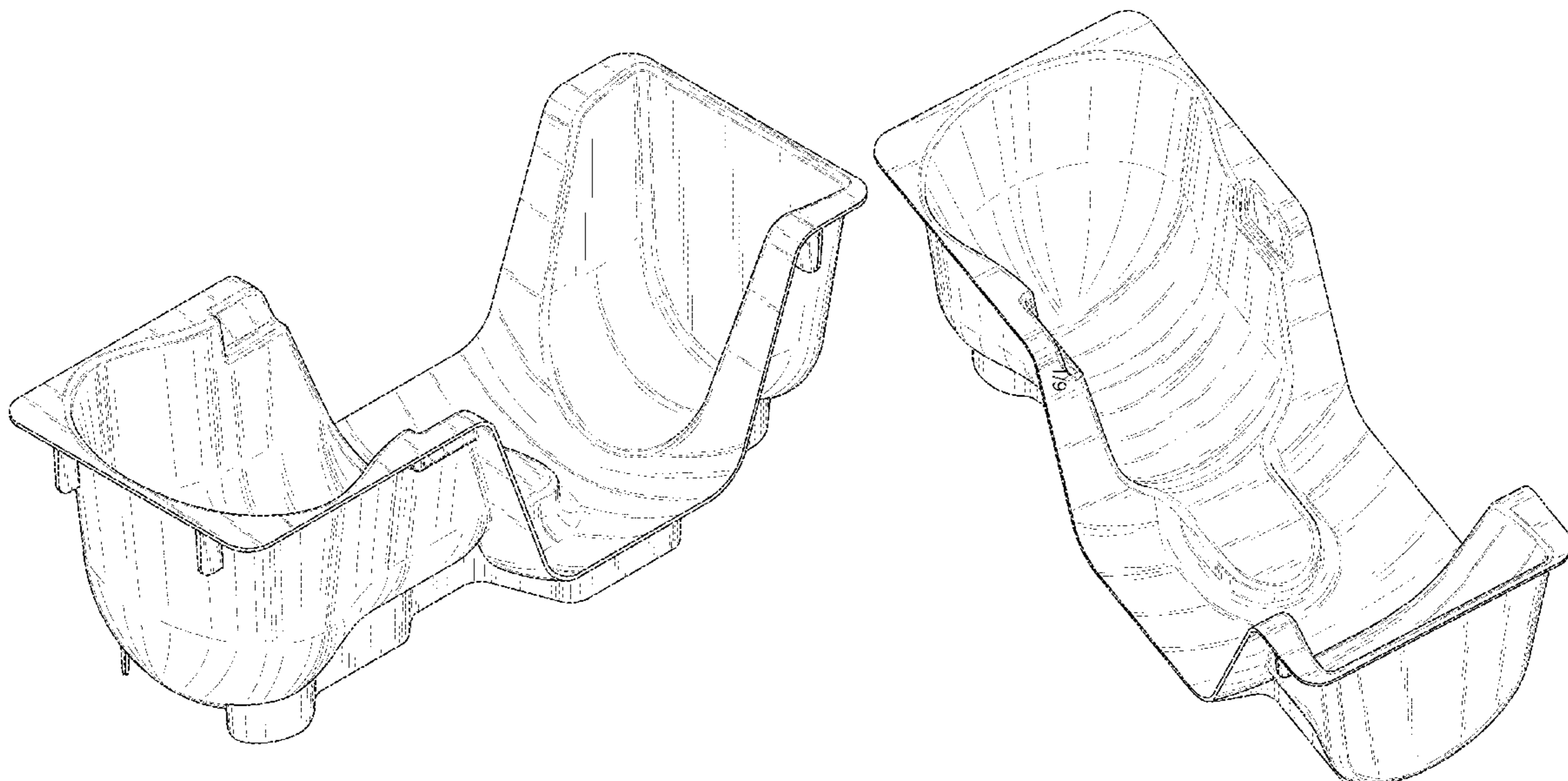
(57) **CLAIM**

The ornamental design for a pharmaceutical package, as shown and described.

DESCRIPTION

FIG. 1 is a top, left, front perspective view of a pharmaceutical package according to our design;
 FIG. 2 is a top, left, rear perspective view thereof;
 FIG. 3 is another top, left, rear perspective view thereof;
 FIG. 4 is a top, right, front perspective view thereof;
 FIG. 5 is a bottom, right, front perspective view thereof;
 FIG. 6 is a bottom, left, rear perspective view thereof;
 FIG. 7 is a top plan view thereof;
 FIG. 8 is a bottom plan view thereof;
 FIG. 9 is a right side elevation view thereof;
 FIG. 10 is a left side elevation view thereof;
 FIG. 11 is a front elevation view thereof; and,
 FIG. 12 is a rear elevation view thereof.

1 Claim, 9 Drawing Sheets



(56)

References Cited

U.S. PATENT DOCUMENTS

2018/0085515 A1* 3/2018 Mide B65D 75/326
2019/0092547 A1* 3/2019 Sadowski B65D 77/26

* cited by examiner

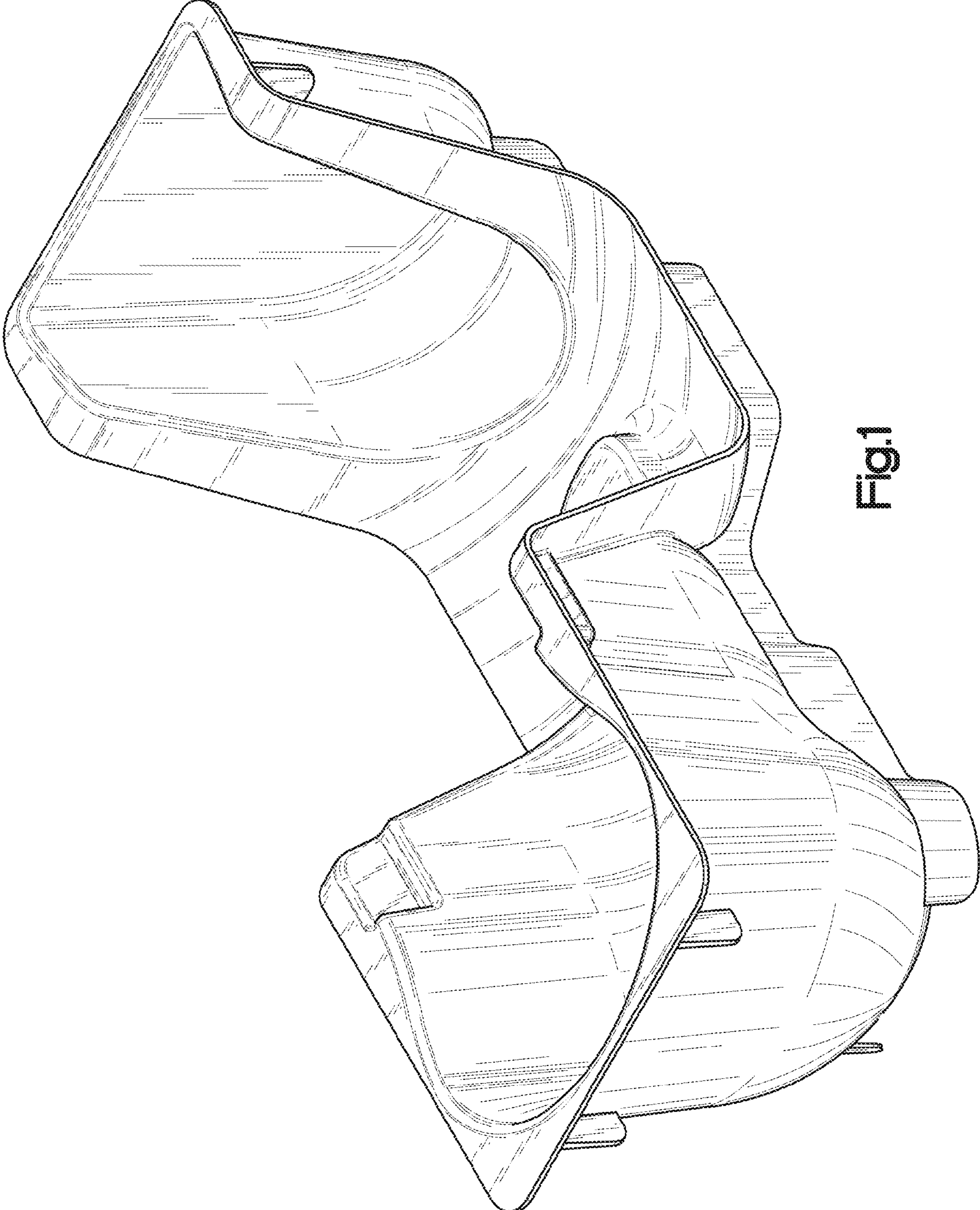


Fig.1

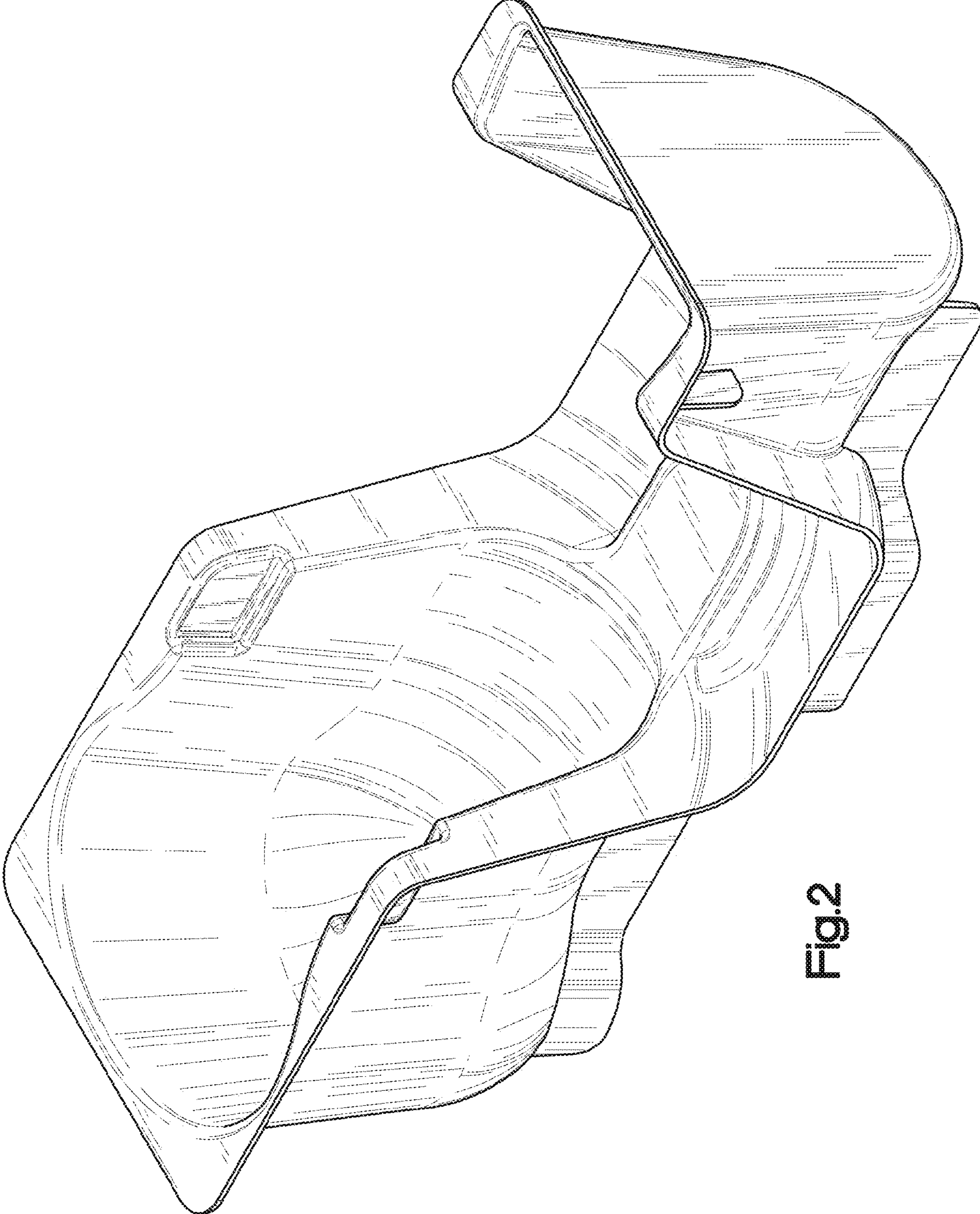


Fig.2

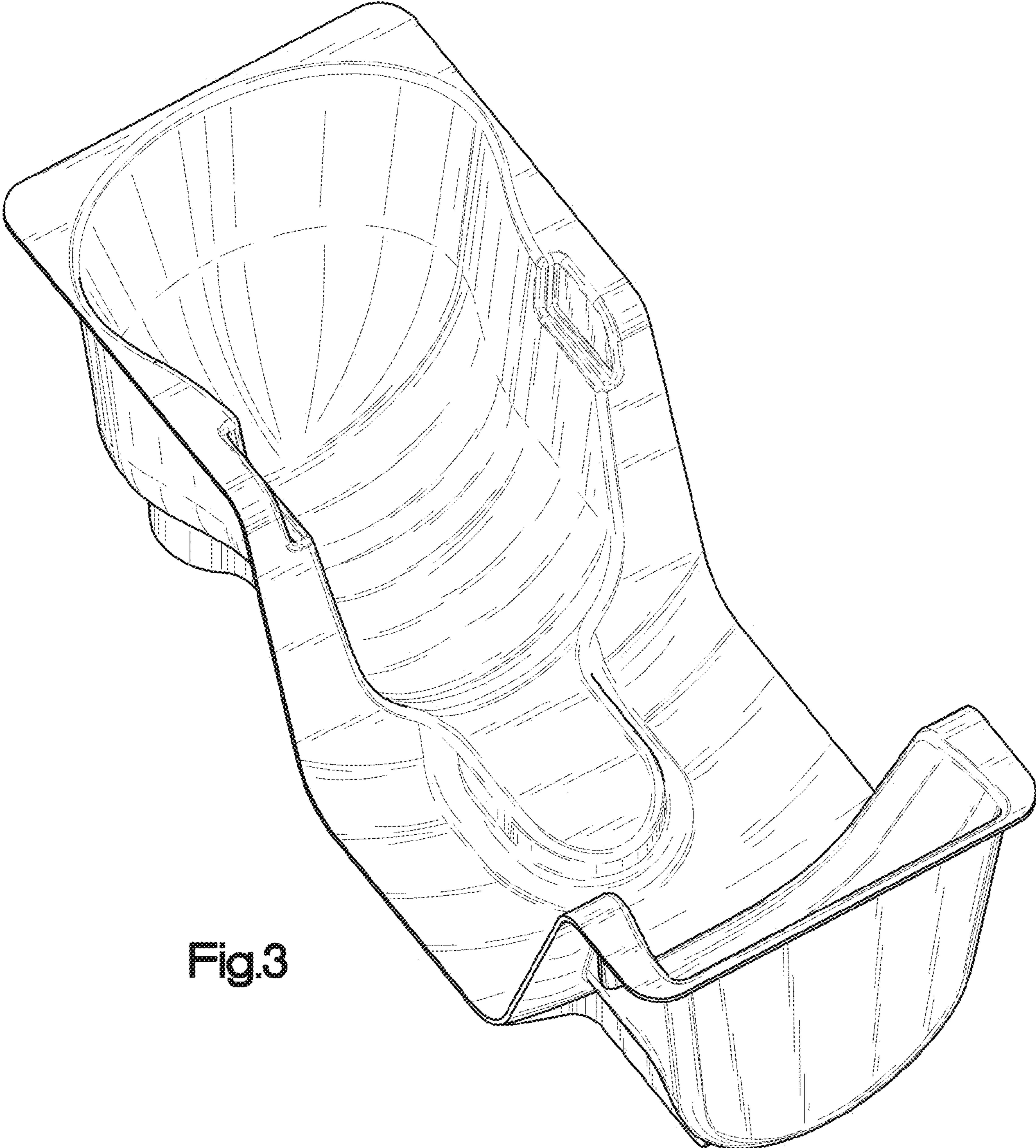


Fig.3

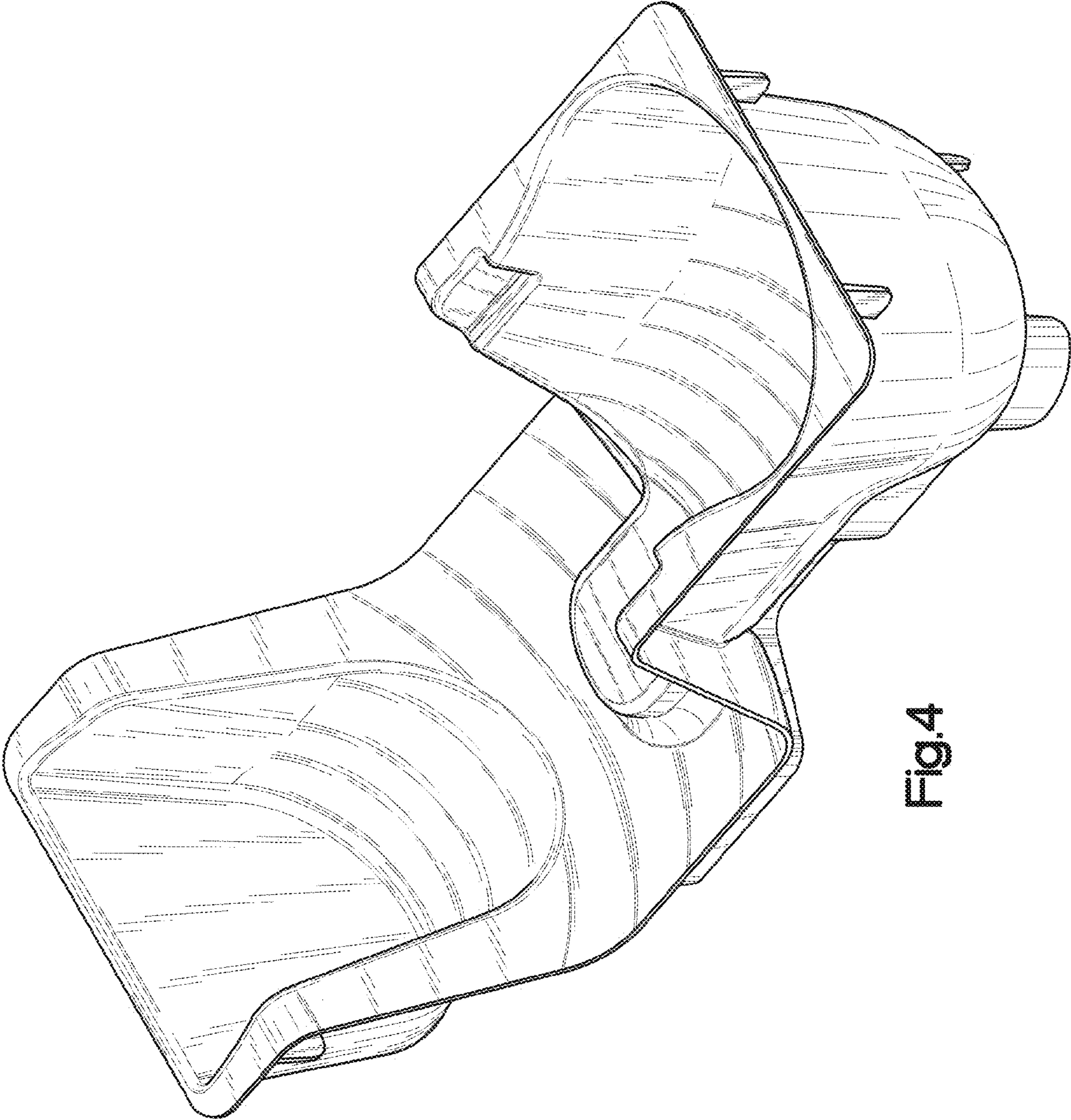


Fig.4

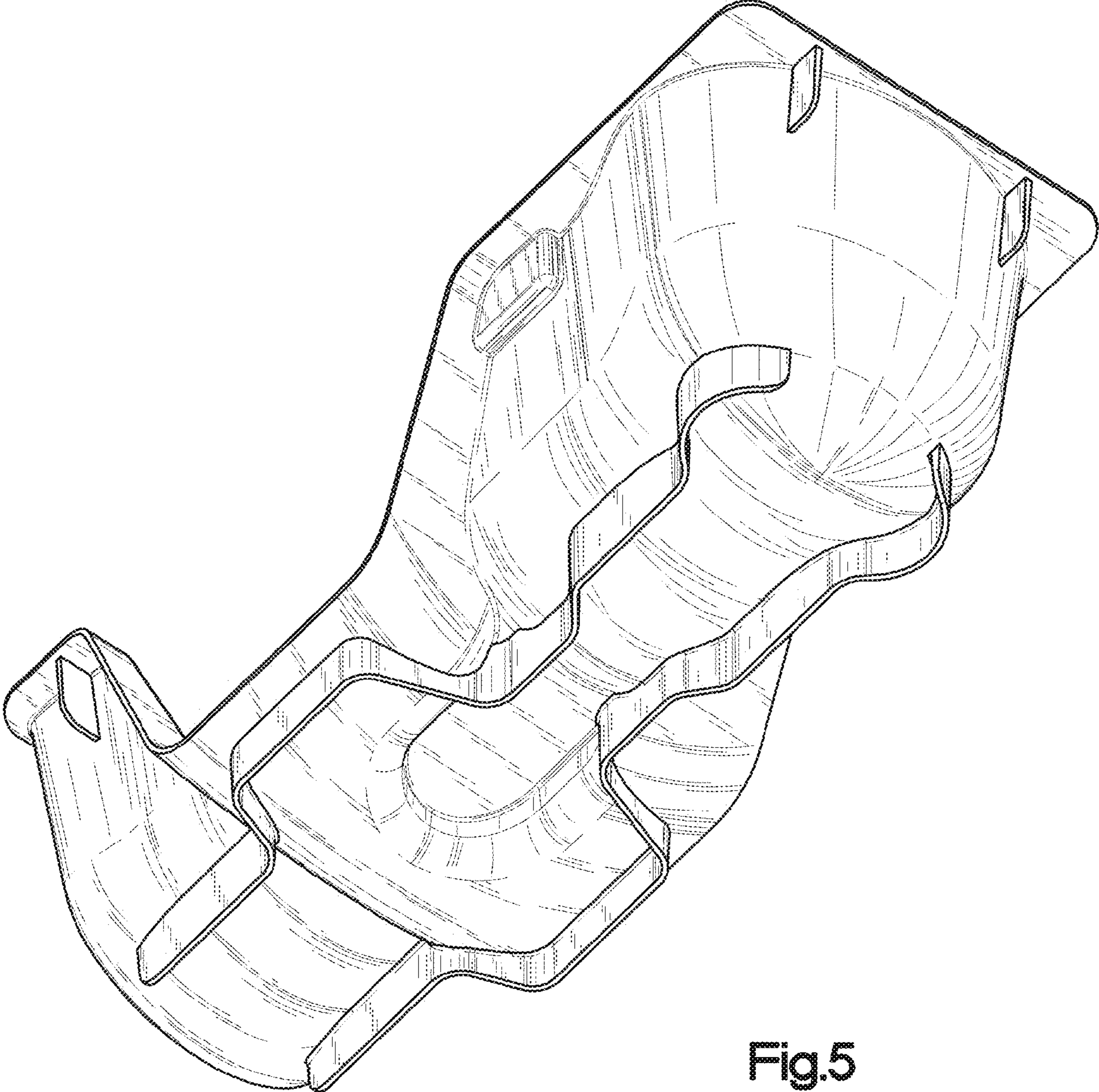


Fig.5

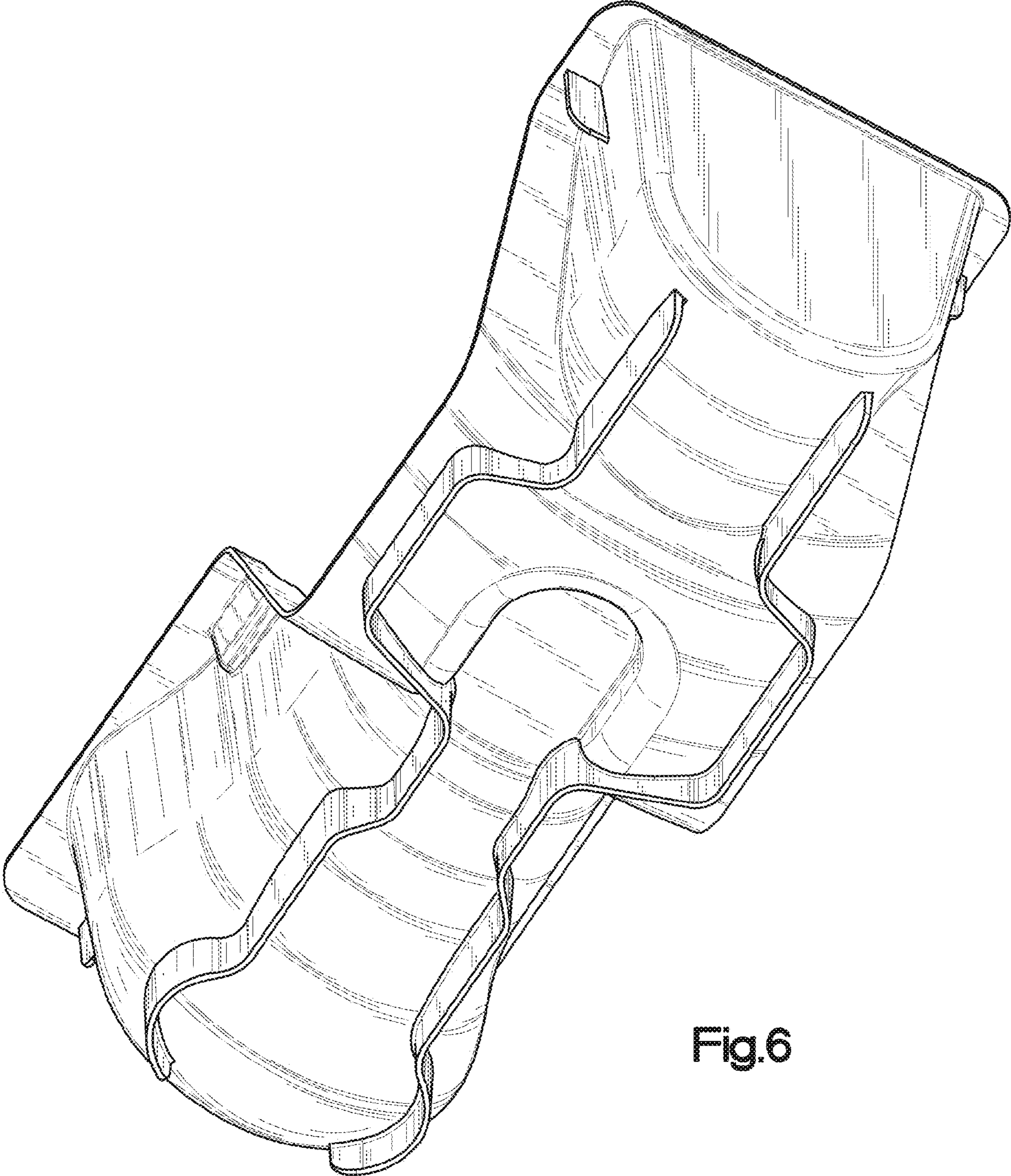


Fig.6

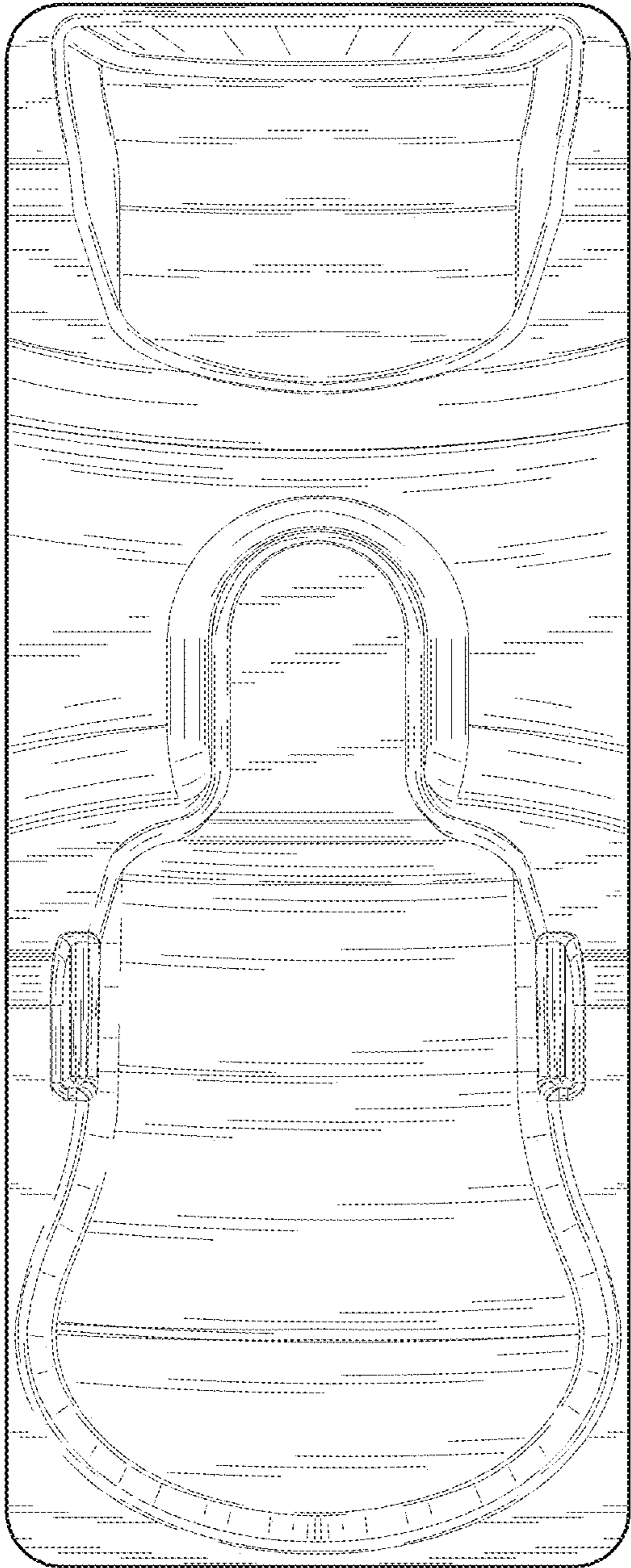


Fig. 7

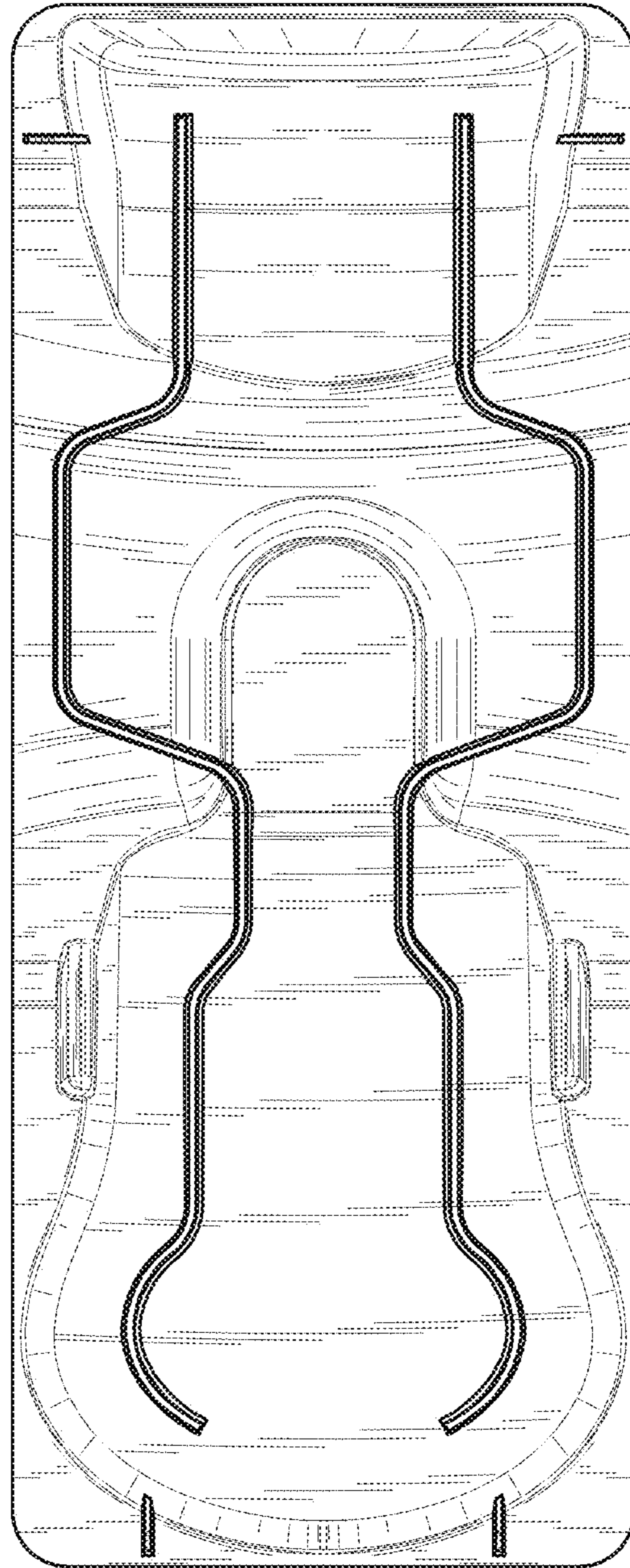


Fig. 8

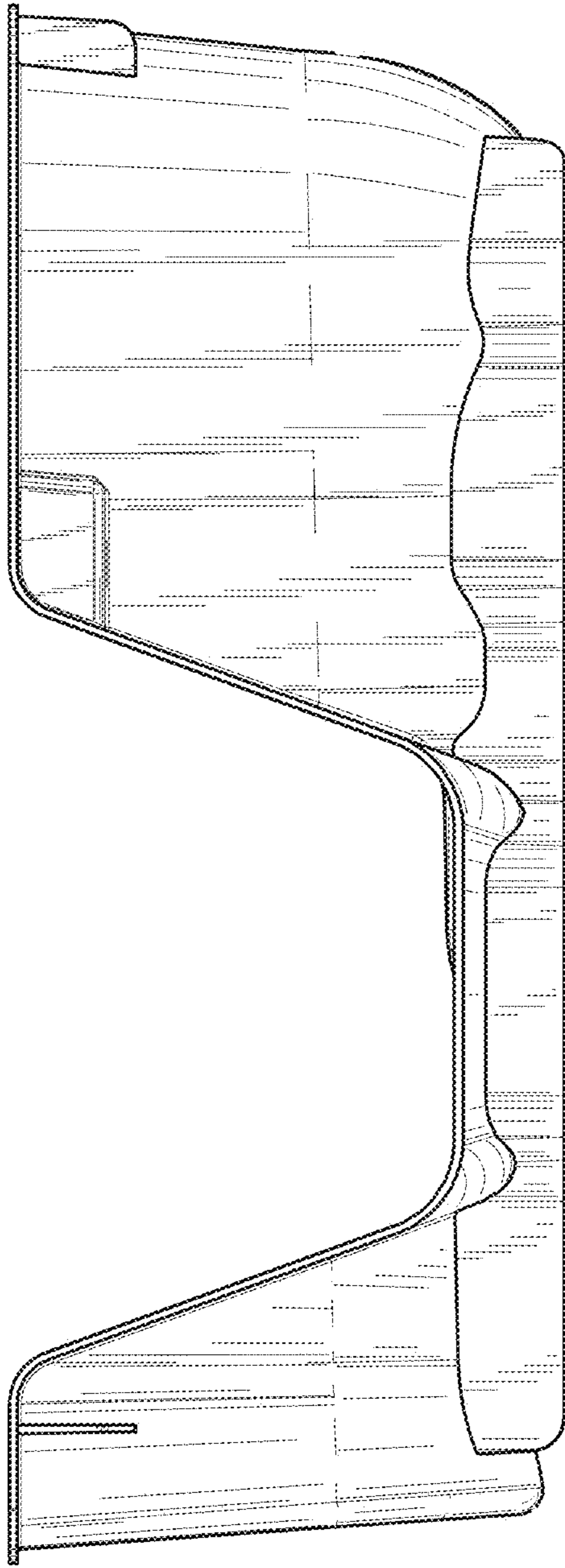


Fig.9

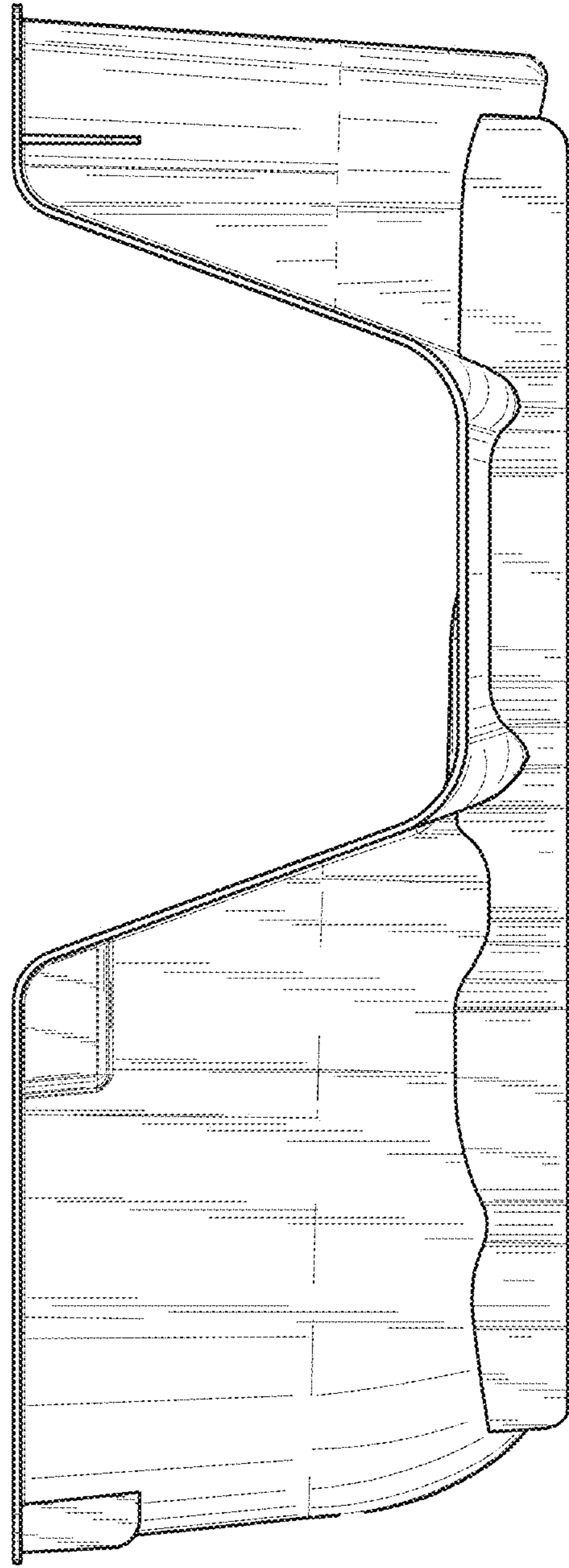


Fig.10

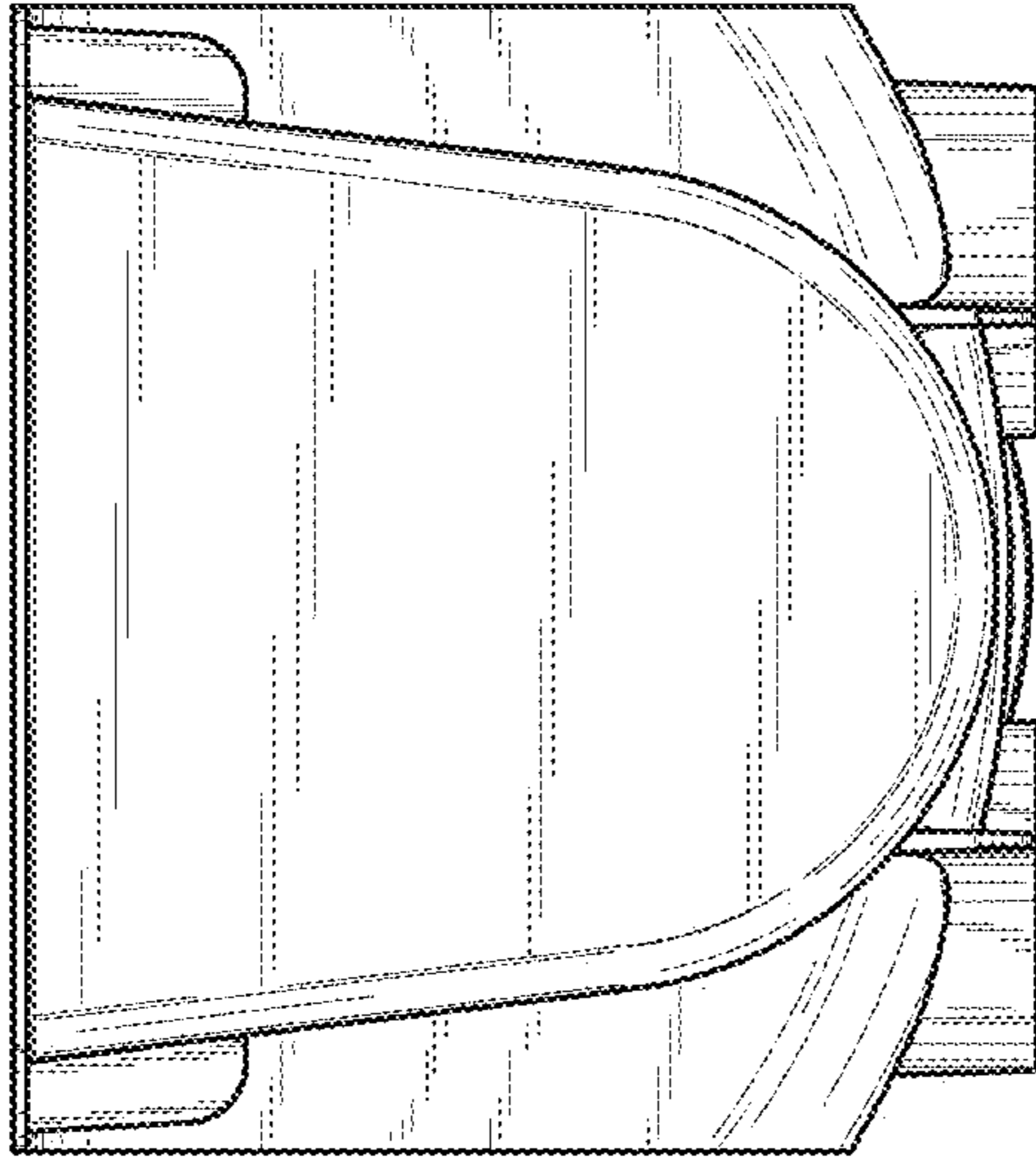


Fig.12

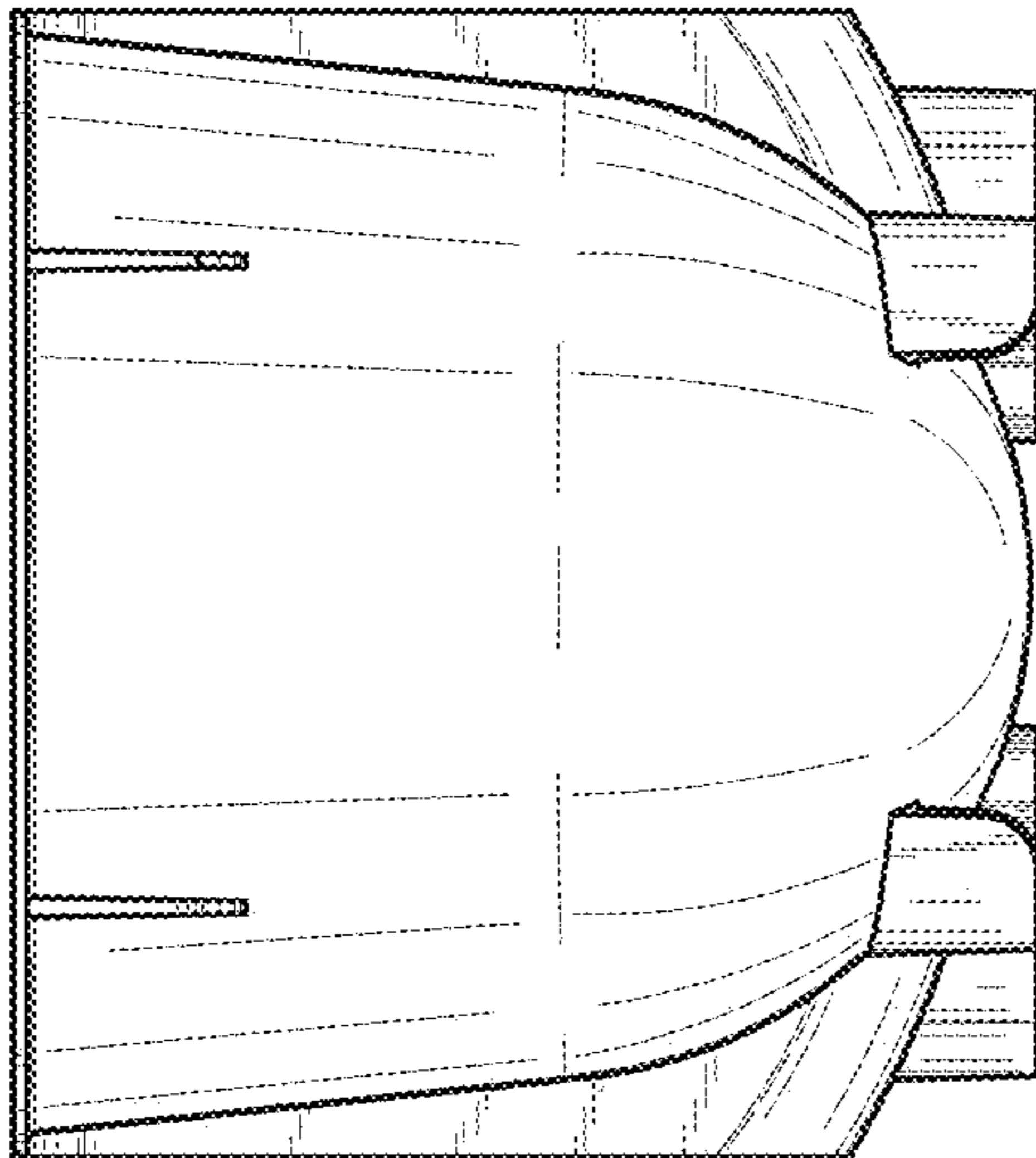


Fig.11