



US00D964169S

(12) **United States Design Patent** (10) **Patent No.:** **US D964,169 S**
Soto (45) **Date of Patent:** **** Sep. 20, 2022**

(54) **THREE COMPARTMENT ROLLING TRAY**

(71) Applicant: **Noel Soto**, Kissimmee, FL (US)

(72) Inventor: **Noel Soto**, Kissimmee, FL (US)

(**) Term: **15 Years**

(21) Appl. No.: **29/754,205**

(22) Filed: **Oct. 7, 2020**

(51) **LOC (13) Cl.** **09-07**

(52) **U.S. Cl.**
USPC **D9/456; D27/172**

(58) **Field of Classification Search**
USPC D9/434-436, 456, 499, 427, 433, 730,
D9/732, 736, 737, 748, 749, 755, 759,
D9/760, 761; D7/311, 396.1, 396.4,
D7/550.1, 553.2, 553.3, 554.3, 555, 601,
D7/602, 620, 704; D23/260, 261;
D5/1-3, 46, 47, 54; D3/201, 272, 304;
D27/172-175, 179, 180, 183, 184, 186,
D27/187, 194

CPC .. B65D 43/02; B65D 1/36; A47J 47/16; A47J
31/4403

See application file for complete search history.

(56) **References Cited**

U.S. PATENT DOCUMENTS

D62,071 S *	3/1923	Taylor	D9/434
D65,729 S *	10/1924	Connor	D9/434
D108,606 S *	2/1938	Nagle	D9/433
D113,431 S *	2/1939	Negbaur	D27/184
D122,811 S *	10/1940	Adams	D28/77
D173,945 S *	2/1955	Hopson	D27/193
D181,154 S *	10/1957	Klein	D7/554.3
D228,530 S *	10/1973	Kieves	D27/184
D231,197 S *	4/1974	Casselli	D9/736
D231,198 S *	4/1974	Casselli	D9/736
D235,737 S *	7/1975	Paone	D9/456
D237,841 S *	11/1975	Di Bartolo	D7/553.3
D239,818 S *	5/1976	Vatne	D9/438

D244,581 S *	6/1977	Keough	D9/456
D256,997 S *	9/1980	Motta	D9/736
D263,451 S *	3/1982	Persson	D9/433
D271,554 S *	11/1983	Grusin	D7/502
D328,034 S *	7/1992	Creaden	D9/434
D329,380 S *	9/1992	Hazlett	D9/434
D332,324 S *	1/1993	Howey, Jr.	D27/128
D363,192 S *	10/1995	Reeves	D7/553.3
D384,823 S *	10/1997	Sugar	D27/189
D386,408 S *	11/1997	Wasielewski	D9/434
D391,078 S *	2/1998	Jacober	D3/304
D418,058 S *	12/1999	Chatterton	D9/434

(Continued)

OTHER PUBLICATIONS

Buzzfeed. 27 Things You May Love If Every Day Is 4/20 In Your World. Apr. 20, 2021. <https://www.buzzfeed.com/marquaysa/best-things-for-weed-marijuana-smokers> (Year: 2021).*

Primary Examiner — Darcey E Gottschalk
(74) *Attorney, Agent, or Firm* — Jason T. Daniel, Esq.;
Daniel Law Offices, P.A.

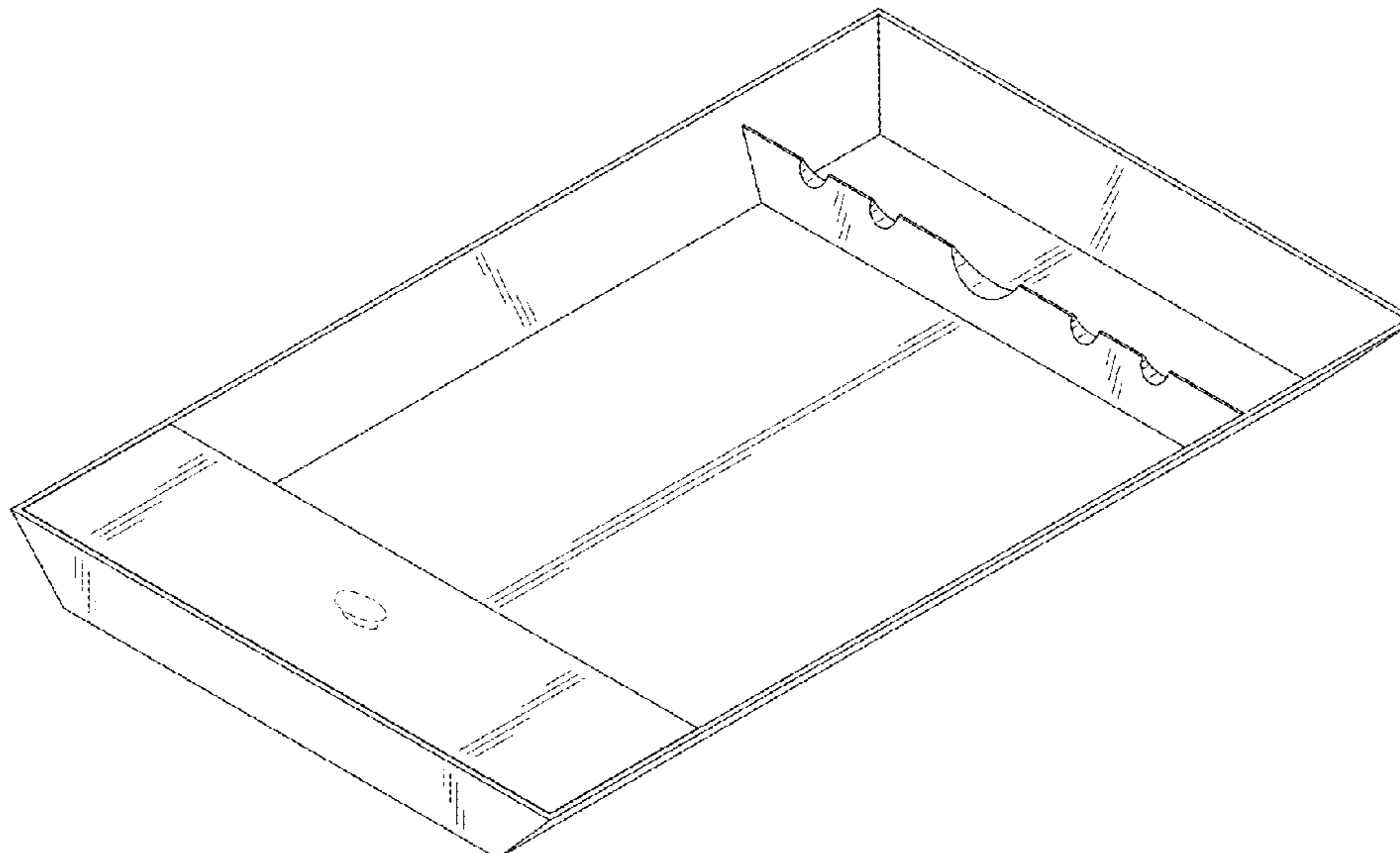
(57) **CLAIM**

The ornamental design for a three compartment rolling tray, as shown and described.

DESCRIPTION

FIG. 1 is a front perspective view thereof, FIG. 2 is a back perspective view thereof, FIG. 3 is a front side elevation view thereof, FIG. 4 is a back side elevation view thereof, FIG. 5 is a left side elevation view thereof, FIG. 6 is a top side plan view thereof; and, FIG. 7 is a bottom side plan view thereof. The right side is a mirror image to the left side. In the drawings, the broken lines are for the purpose of illustrating environment only and form no part of the claimed design.

1 Claim, 3 Drawing Sheets



(56)

References Cited

U.S. PATENT DOCUMENTS

D509,995	S *	9/2005	Laib	D7/602
D649,838	S *	12/2011	Stamper	D7/602
D677,163	S *	3/2013	Jones	D9/456
D678,052	S *	3/2013	Bakker	D9/433
D715,643	S *	10/2014	Sanfilippo	D9/434
D790,926	S *	7/2017	Jones	B65D 1/36 D7/357
D889,035	S *	6/2020	Cheung	D27/186
11,083,339	B1 *	8/2021	Hertaus	A47J 31/4403
D933,287	S *	10/2021	Cheung	D27/162
2019/0150501	A1 *	5/2019	Duffy	F23Q 2/50

* cited by examiner

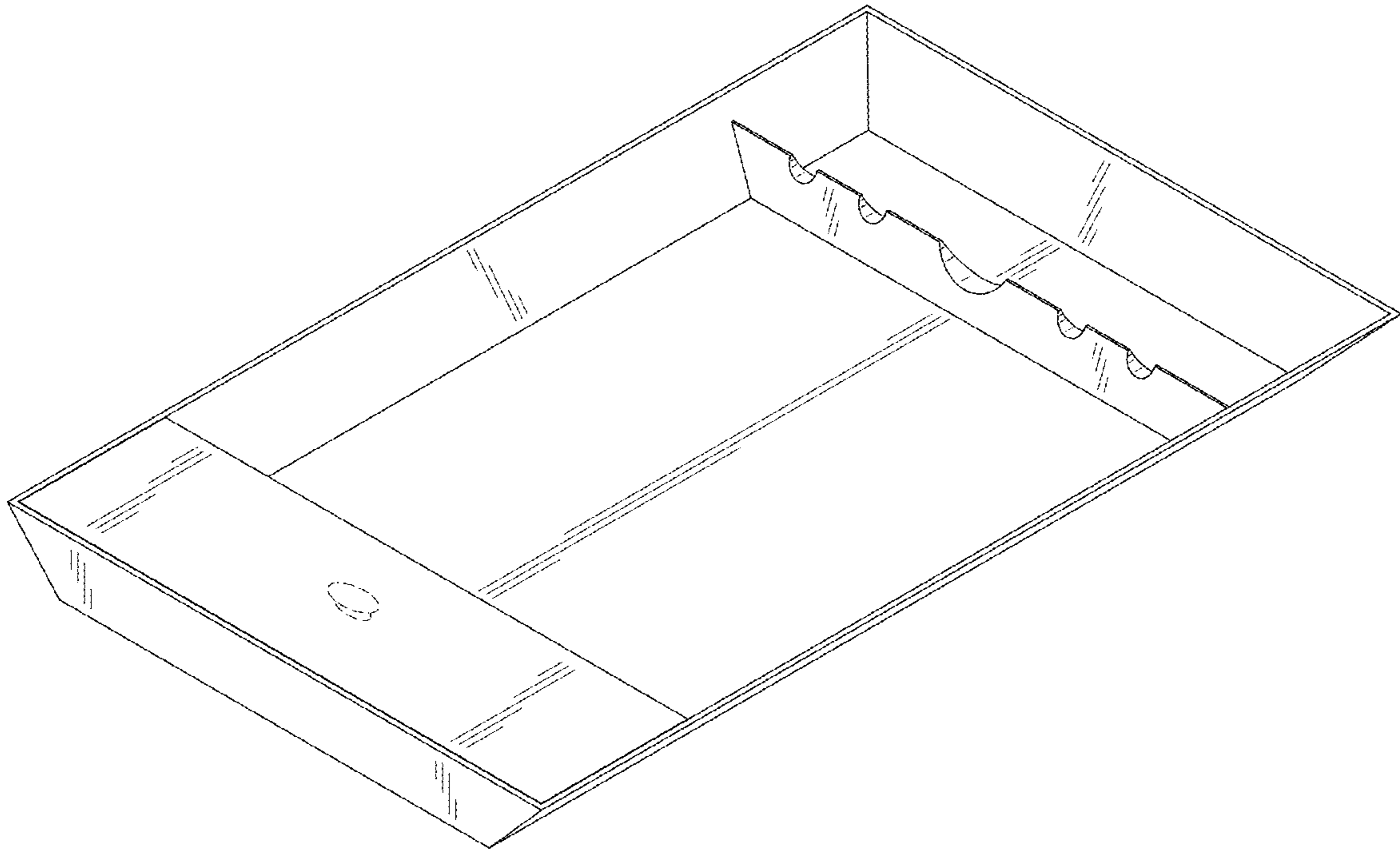


FIG. 1

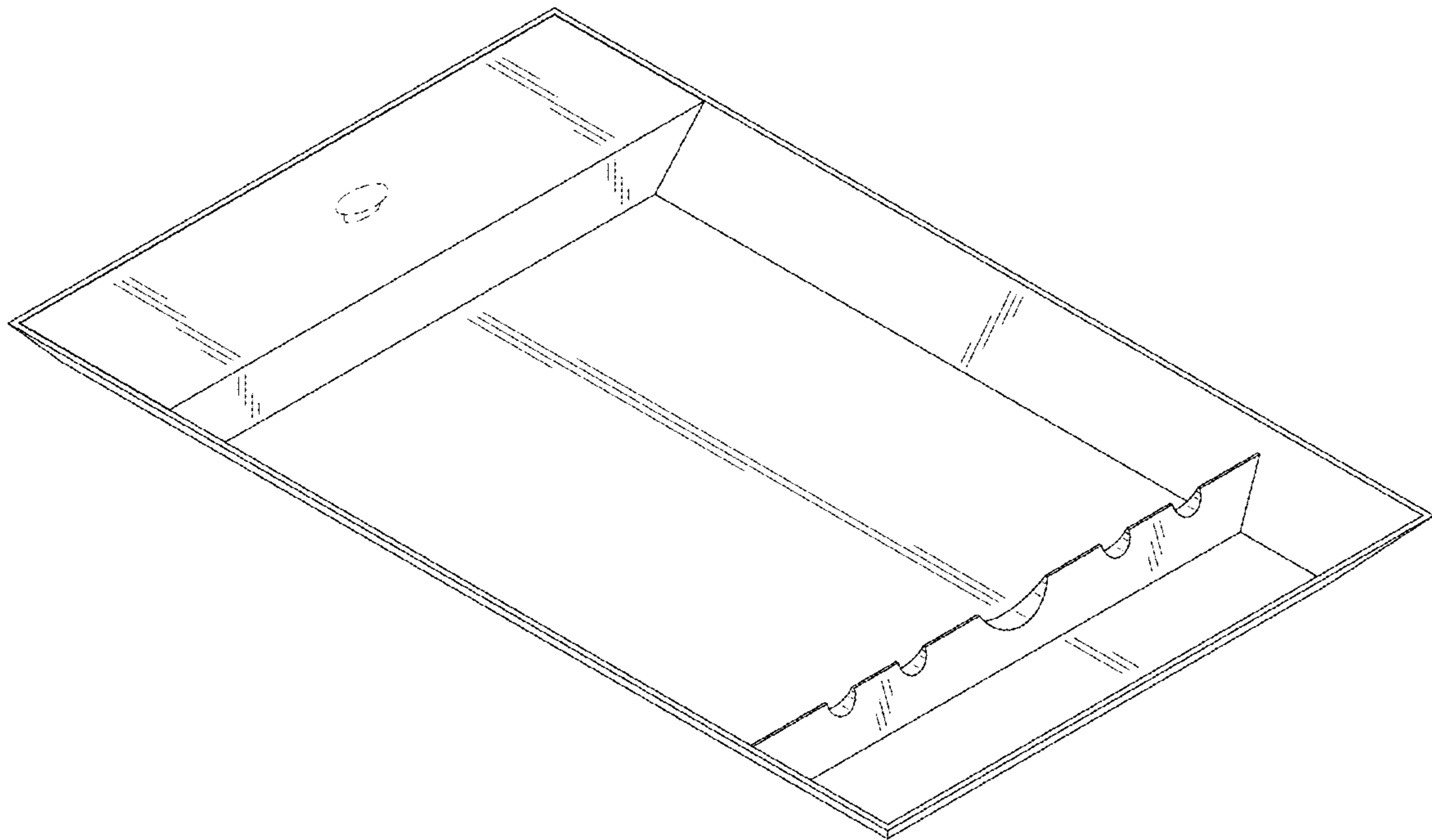


FIG. 2

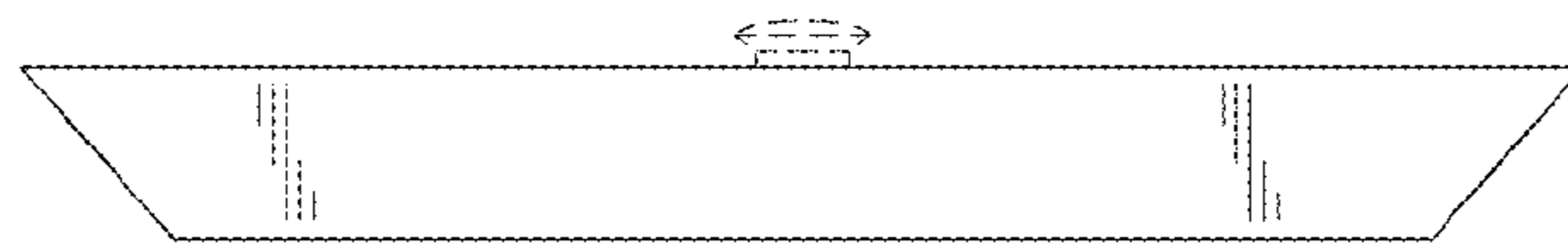


FIG. 3

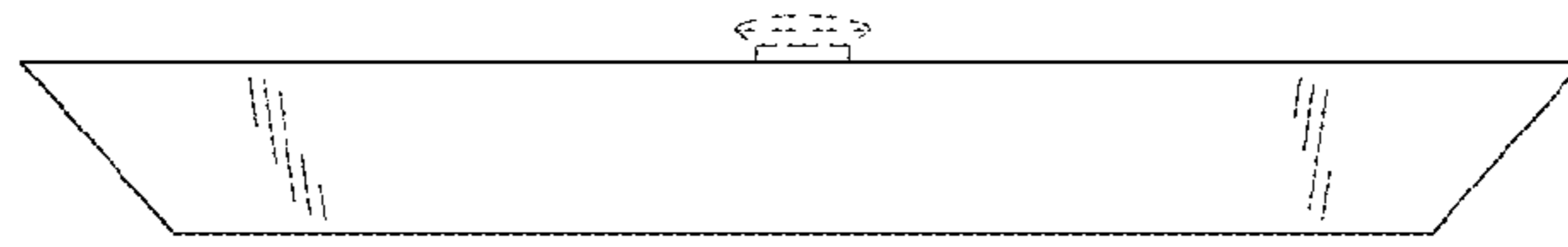


FIG. 4

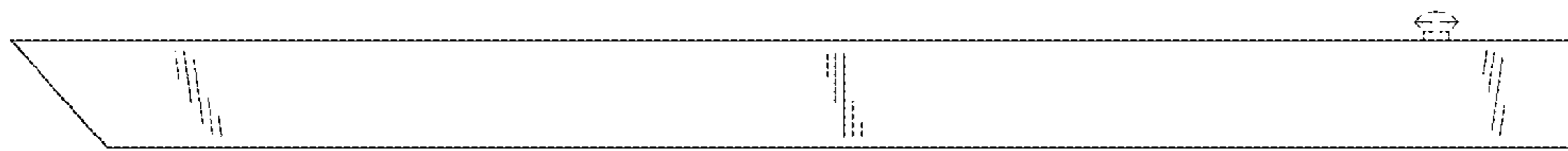


FIG. 5

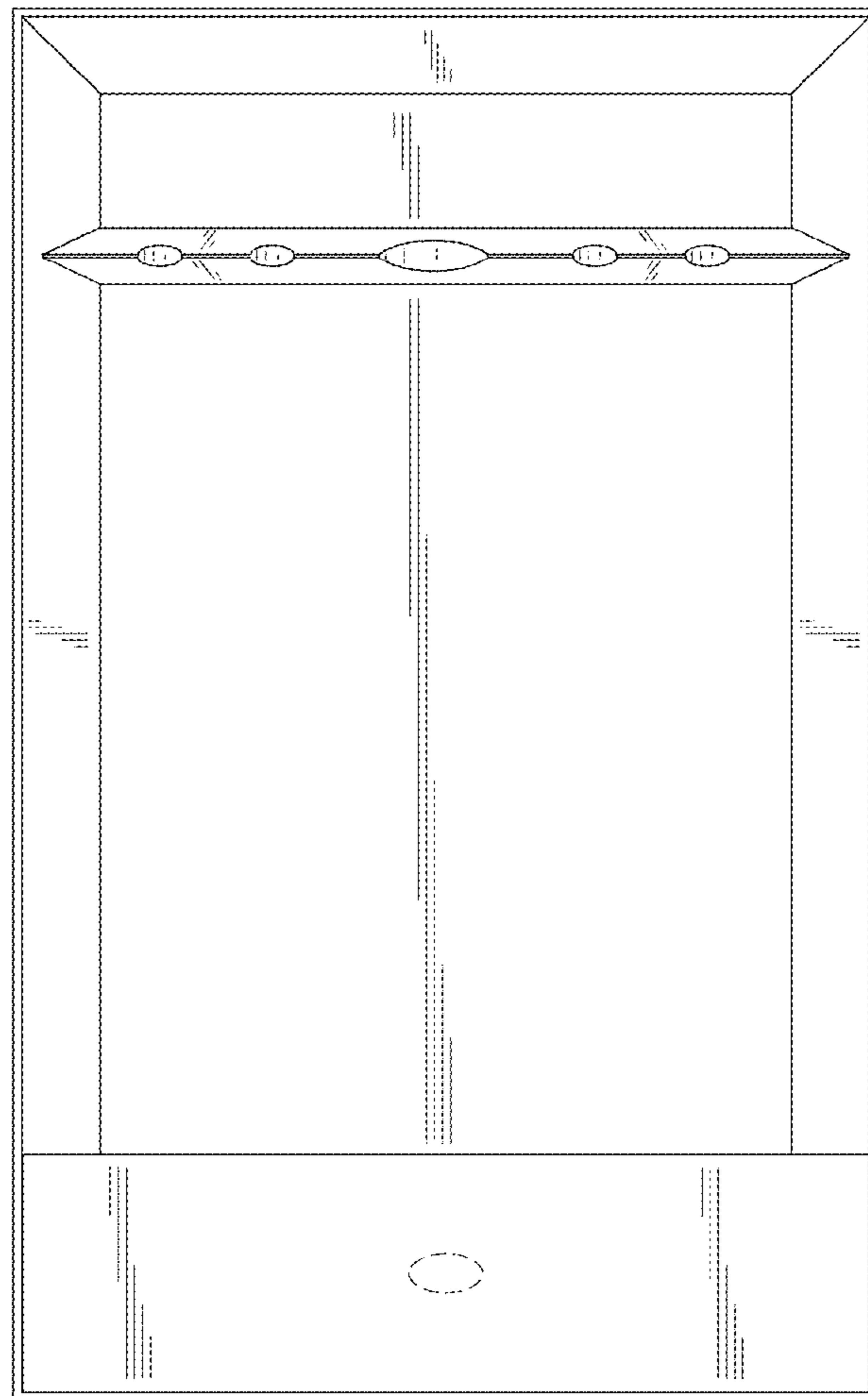


FIG. 6

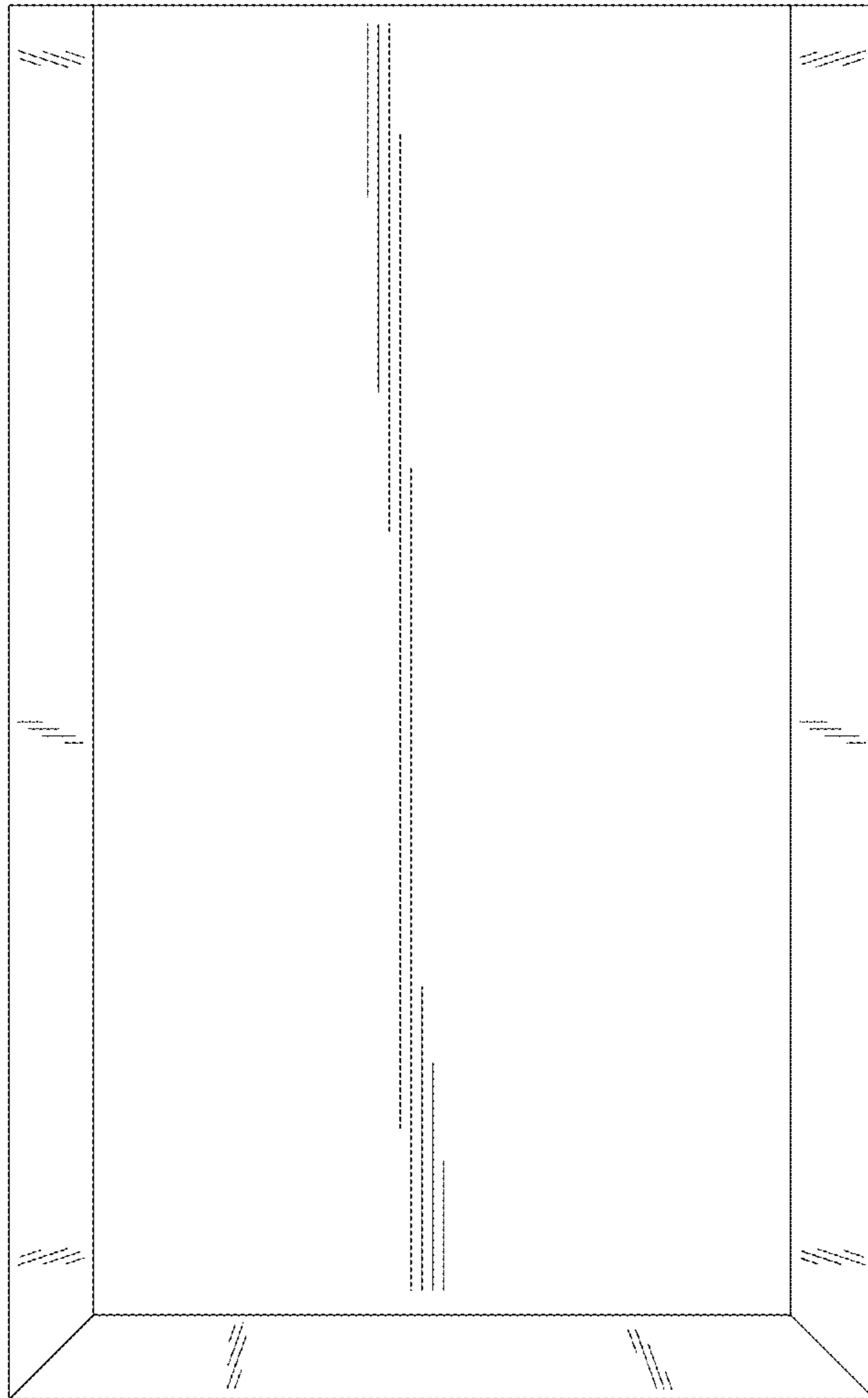


FIG. 7