

US00D964168S

(12) **United States Design Patent** (10) **Patent No.:** **US D964,168 S**
Simms, II (45) **Date of Patent:** **** Sep. 20, 2022**

(54) **CUP LID**

D815,489 S * 4/2018 Yan D7/396.2
D815,890 S * 4/2018 Boroski D7/392.1
D828,159 S * 9/2018 Bouie D7/900

(Continued)

(71) Applicant: **Waddington North America, Inc.**,
Chelmsford, MA (US)

FOREIGN PATENT DOCUMENTS

(72) Inventor: **Russell L. Simms, II**, Cleveland, TN
(US)

CA 189658 * 3/2021

(73) Assignee: **Waddington North America, Inc.**,
Chelmsford, MA (US)

OTHER PUBLICATIONS

(**) Term: **15 Years**

Novolex YouTube video "Waddington North America—Kids' Cups Sip Lid" (online) uploaded on Oct. 26, 2020. Retrieved from Internet on Jun. 18, 2022, URL: <https://www.youtube.com/watch?v=uvekTO98DCM> (1 page). (Year: 2020).*

(Continued)

(21) Appl. No.: **29/683,023**

(22) Filed: **Mar. 11, 2019**

Primary Examiner — Wendy L Arminio

(51) **LOC (13) Cl.** **09-07**

(74) *Attorney, Agent, or Firm* — Maine Cernota & Rardin

(52) **U.S. Cl.**

(57) **CLAIM**

USPC **D9/447**

The ornamental design for a cup lid, as shown and described.

(58) **Field of Classification Search**

DESCRIPTION

USPC D9/434-436, 447, 449, 450, 454, 499,
D9/503, 504, 529; D7/387, 391, 392,
D7/392.1, 396.2, 510, 511, 629, 900
CPC A45F 3/16; A47G 19/2272; B65D
2543/00046; B65D 2543/00092; B65D
2543/00296; B65D 2581/3409

See application file for complete search history.

FIG. 1 is a front, top and right side perspective view of a cup lid, showing our new design;

FIG. 2 is a front, bottom and left side perspective view thereof;

FIG. 3 is a top plan view thereof;

FIG. 4 is a bottom plan view thereof;

FIG. 5 is a front elevational view thereof;

FIG. 6 is a rear elevational view thereof;

FIG. 7 is a left side elevational view thereof;

FIG. 8 is a right side elevational view thereof;

FIG. 9 is a right side elevational cross-sectional view thereof taken in the direction of the cut line indicated 9-9 in FIG. 3; and,

FIG. 10 is a right side elevational cross-sectional view thereof taken on the cut line 10-10 indicated in FIG. 3.

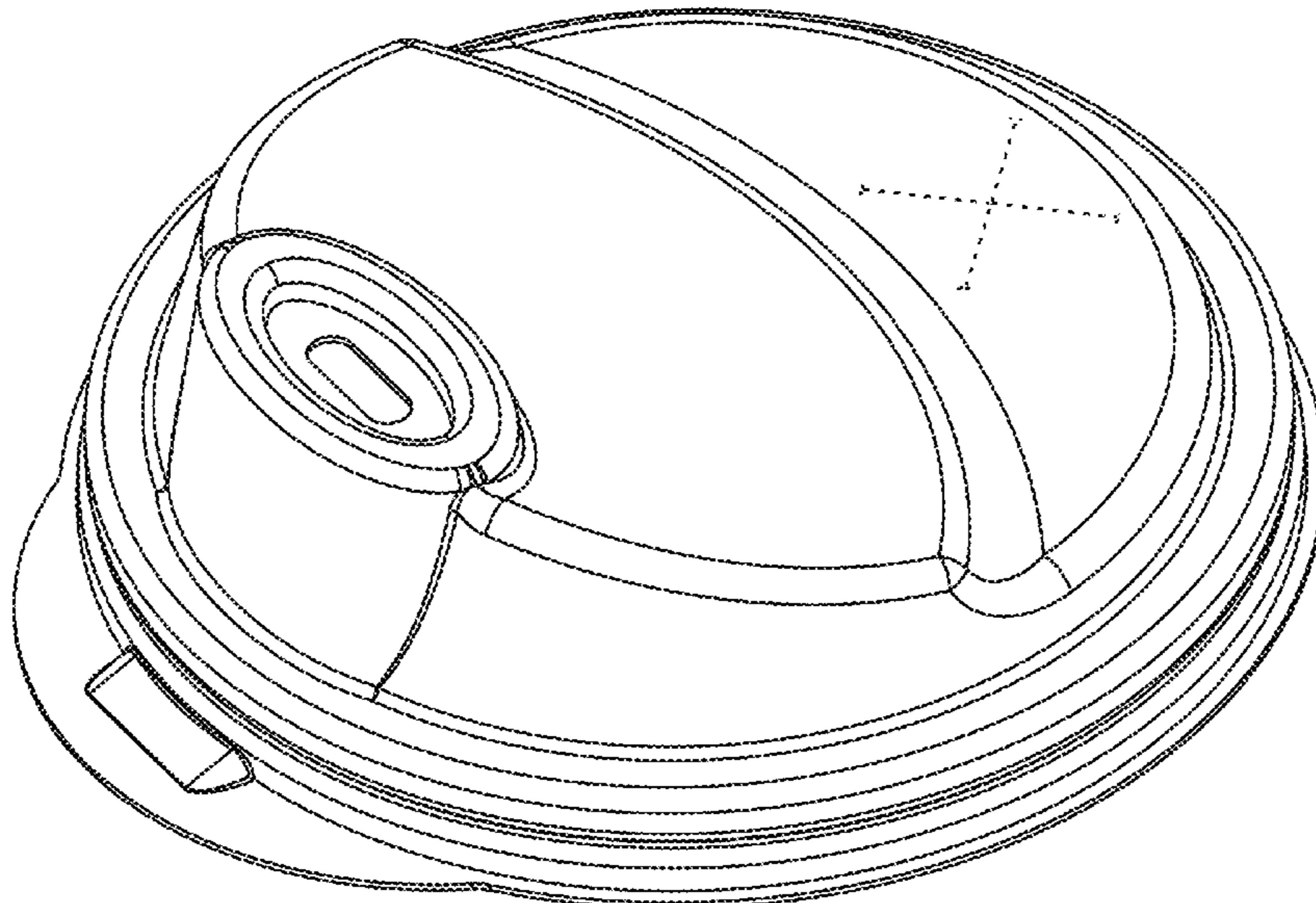
Features of the cup lid that are illustrated by broken lines form no part of the claimed design.

(56) **References Cited**

U.S. PATENT DOCUMENTS

D354,438 S * 1/1995 Miller D9/447
D359,905 S * 7/1995 Molo D9/447
D402,556 S * 12/1998 Frye D9/447
D437,223 S * 2/2001 Coy D9/447
D476,566 S * 7/2003 Smith D9/447
D514,444 S * 2/2006 Smith D9/449
D514,445 S * 2/2006 Smith D9/447
D635,855 S * 4/2011 Smith D9/447
D675,524 S * 2/2013 Bickert D9/447
D691,414 S * 10/2013 Trombly D7/392.1

1 Claim, 10 Drawing Sheets



(56)

References Cited

U.S. PATENT DOCUMENTS

| | | | | |
|--------------|------|--------|-----------------|--------------|
| D838,590 | S * | 1/2019 | Lee | D7/396.2 |
| D852,626 | S * | 7/2019 | Savenok | D7/392.1 |
| D927,974 | S * | 8/2021 | Lubbe | D9/447 |
| D945,264 | S * | 3/2022 | Eickhoff | D9/449 |
| 11,299,327 | B2 * | 4/2022 | Simms, II | B65D 43/0212 |
| 2009/0223981 | A1 * | 9/2009 | Levey | B65D 51/185 |
| | | | | 220/712 |
| 2013/0020338 | A1 * | 1/2013 | French | B65D 47/40 |
| | | | | 220/713 |
| 2016/0113424 | A1 * | 4/2016 | Eickhoff | B65D 47/0833 |
| | | | | 222/545 |
| 2018/0042414 | A1 * | 2/2018 | Eickhoff | A47G 19/2272 |
| 2019/0039788 | A1 * | 2/2019 | Chambers | B65D 47/32 |
| 2019/0084731 | A1 * | 3/2019 | Chou | B65D 43/0218 |
| 2020/0283203 | A1 * | 9/2020 | Simms, II | B65D 43/0212 |
| 2021/0047083 | A1 * | 2/2021 | Eickhoff | B65D 47/0833 |

OTHER PUBLICATIONS

Novolex “Souvenir Kids Cups by Waddington North America” (online) brochure dated Feb. 2022. Retrieved from Internet on Jun. 18, 2022, URL: https://www.wna.biz/assets/brochures/W_BR_1280_0222%20Souvenir%20Kids%20Cups.pdf (2 pages). (Year: 2022).*

Office Action for Canadian Patent Appl. No. 189658, dated Dec. 11, 2020, 2 Pages.

Office Action for Canadian Patent Appl. No. 189658, dated Feb. 27, 2021, 1 Page.

* cited by examiner

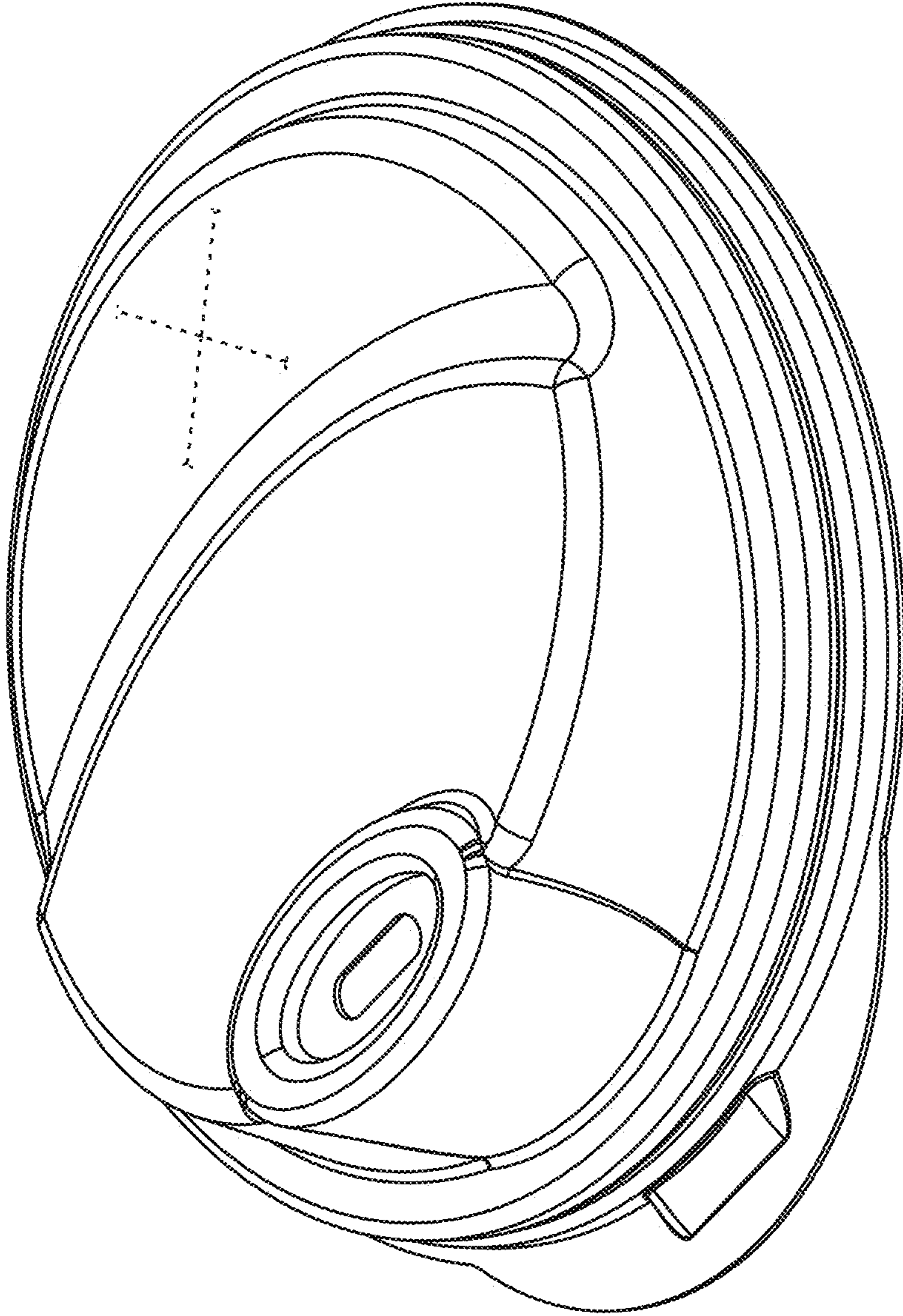


Fig. 1

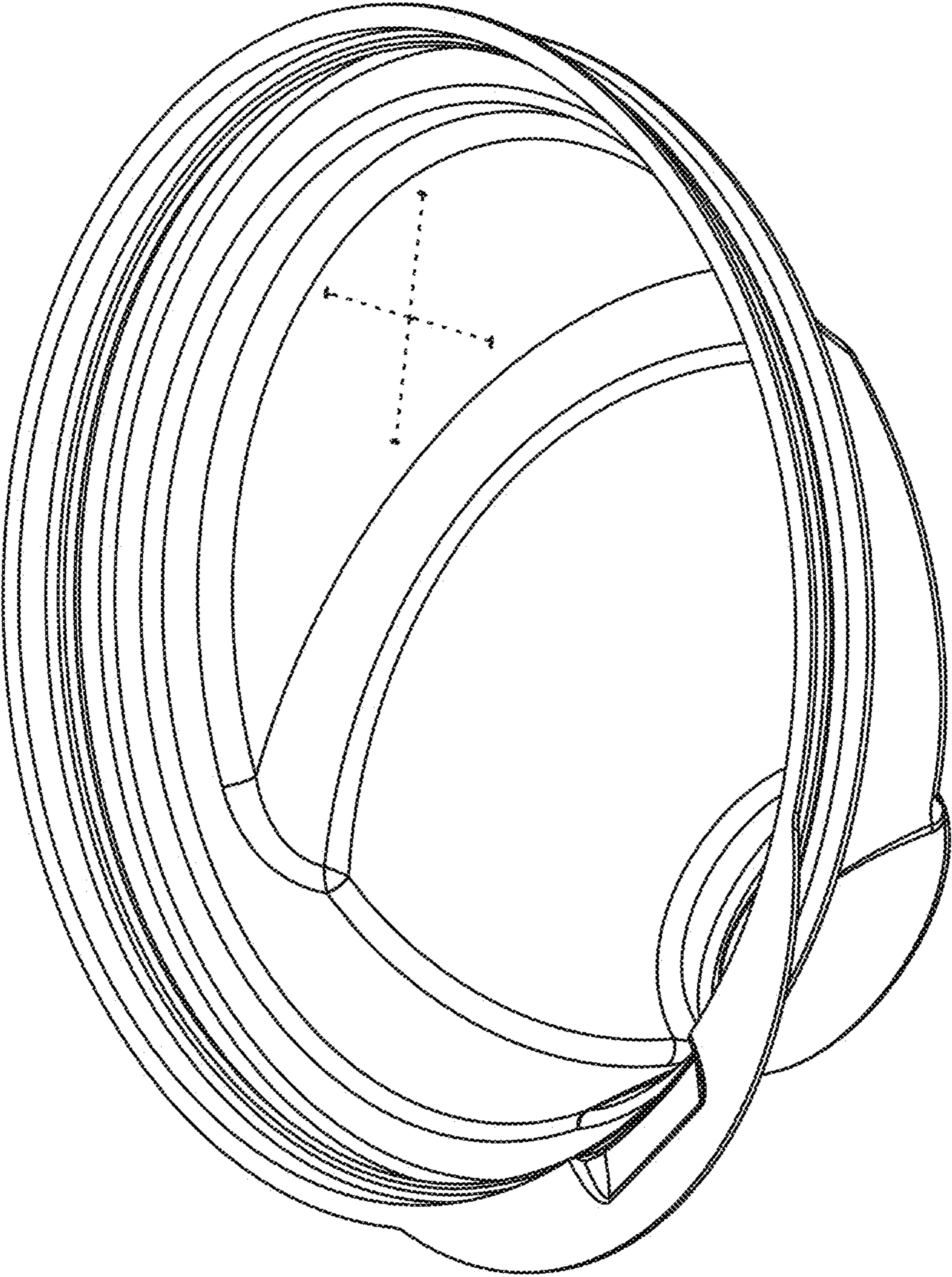


Fig. 2

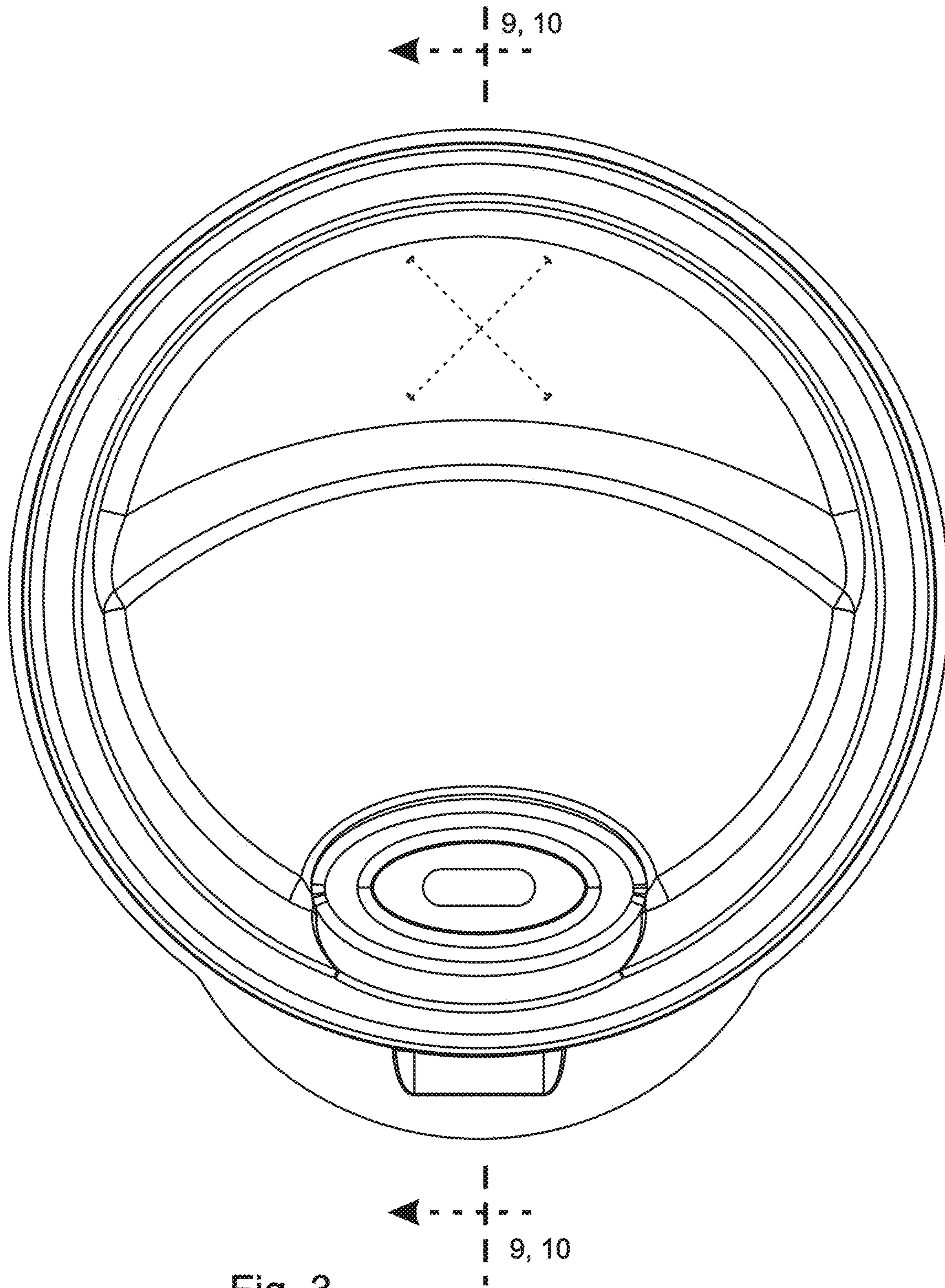


Fig. 3

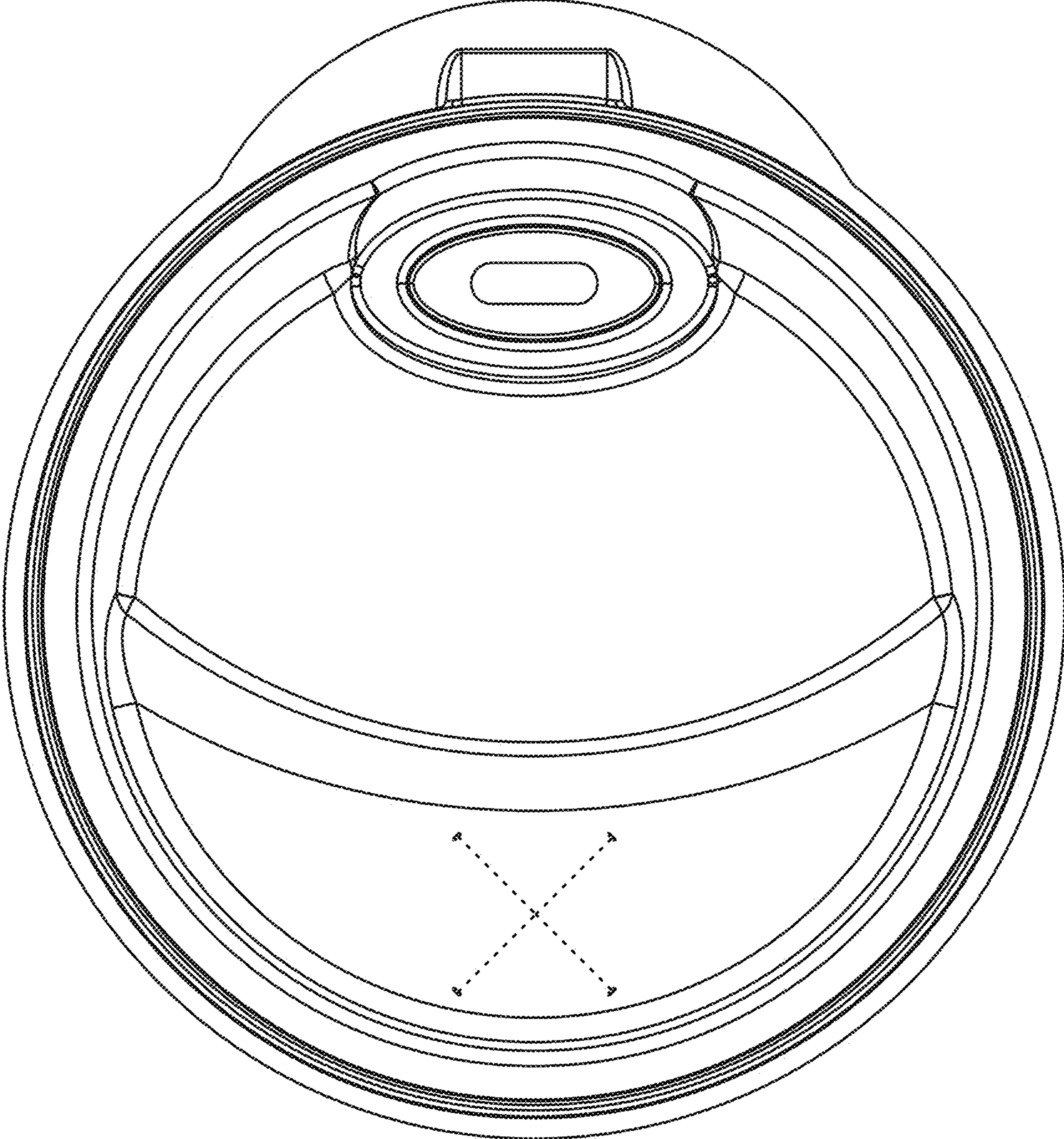


Fig. 4

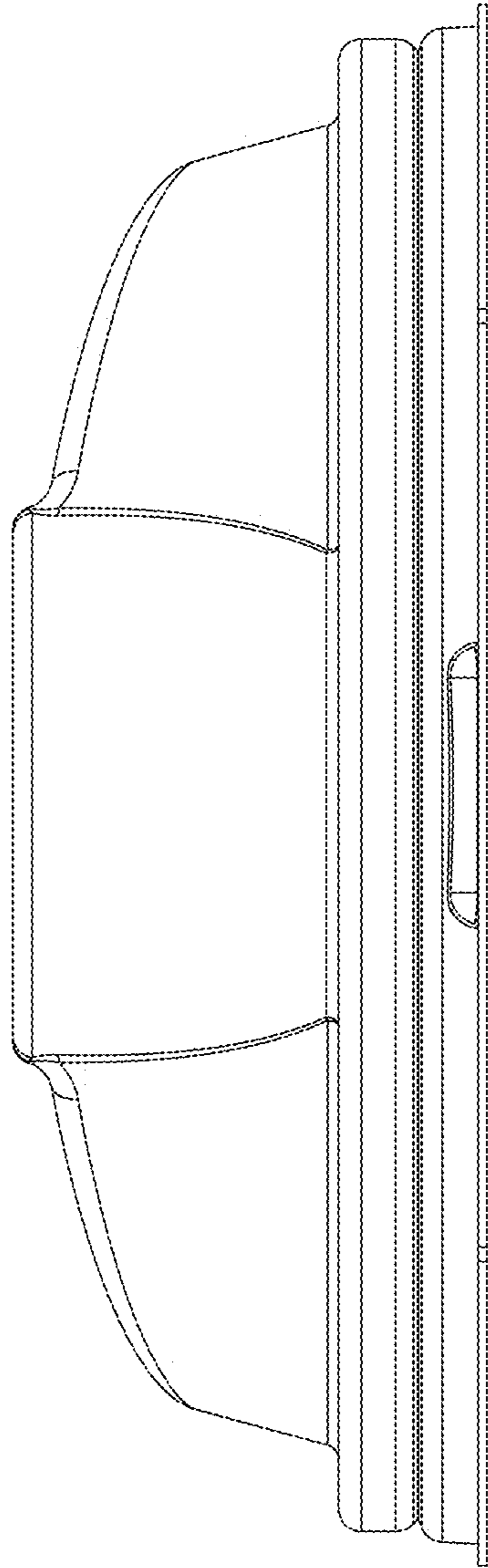


Fig. 5

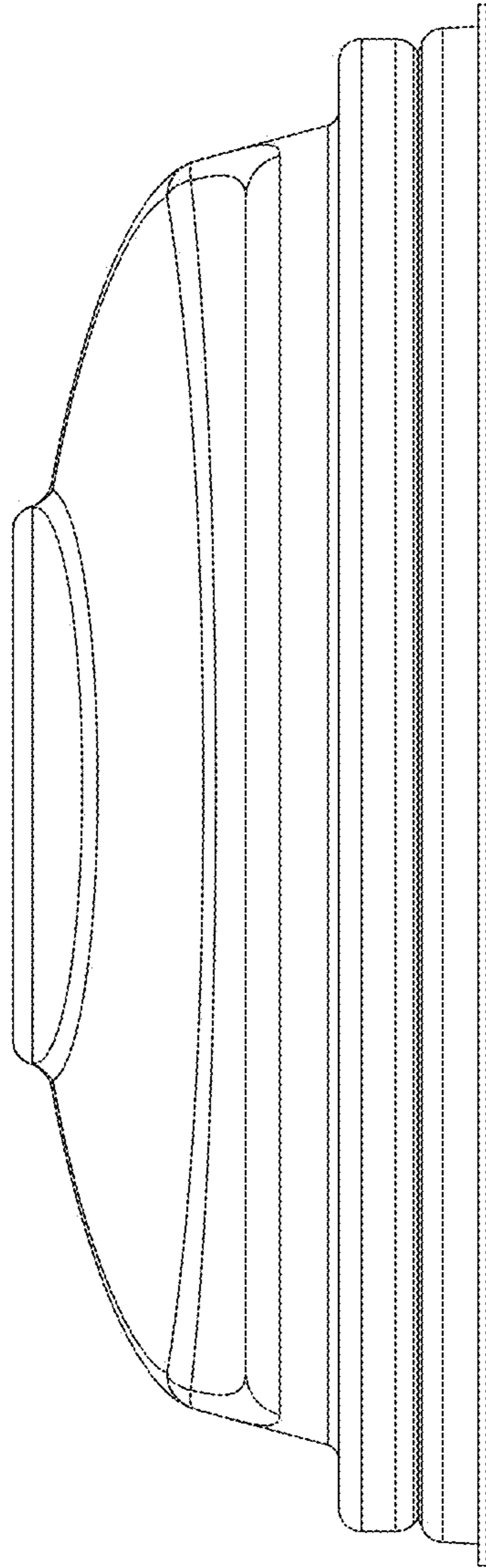


Fig. 6

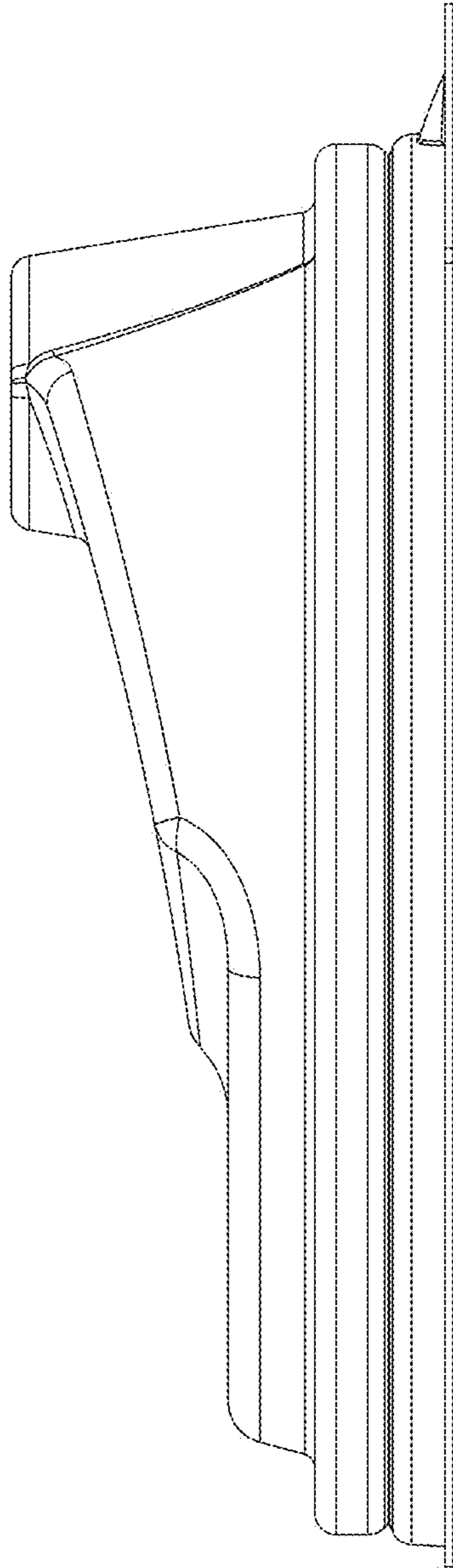


Fig. 7

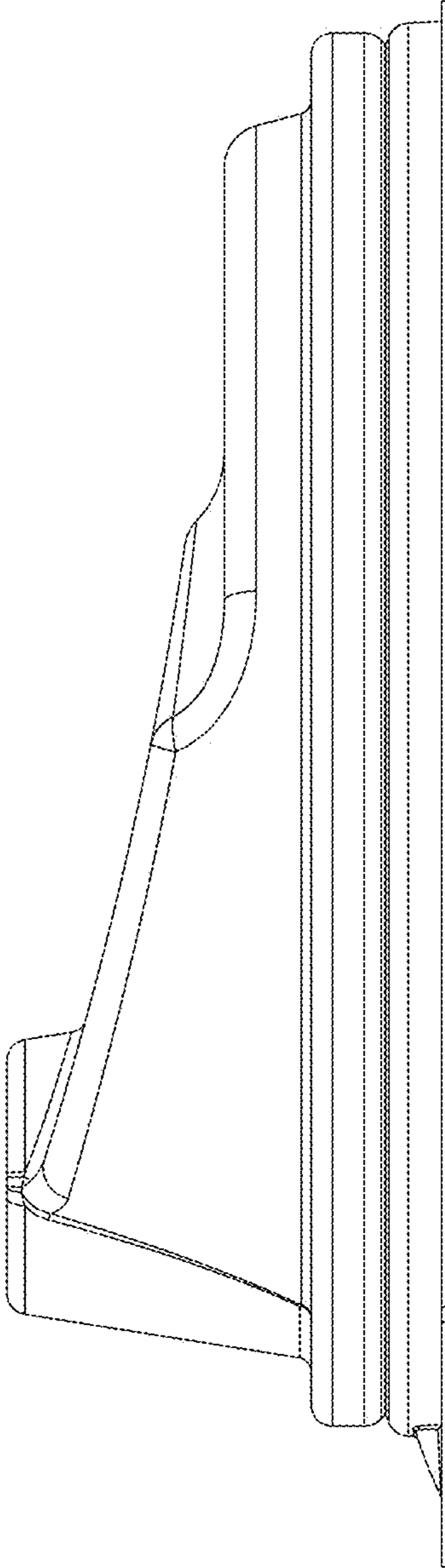


Fig. 8

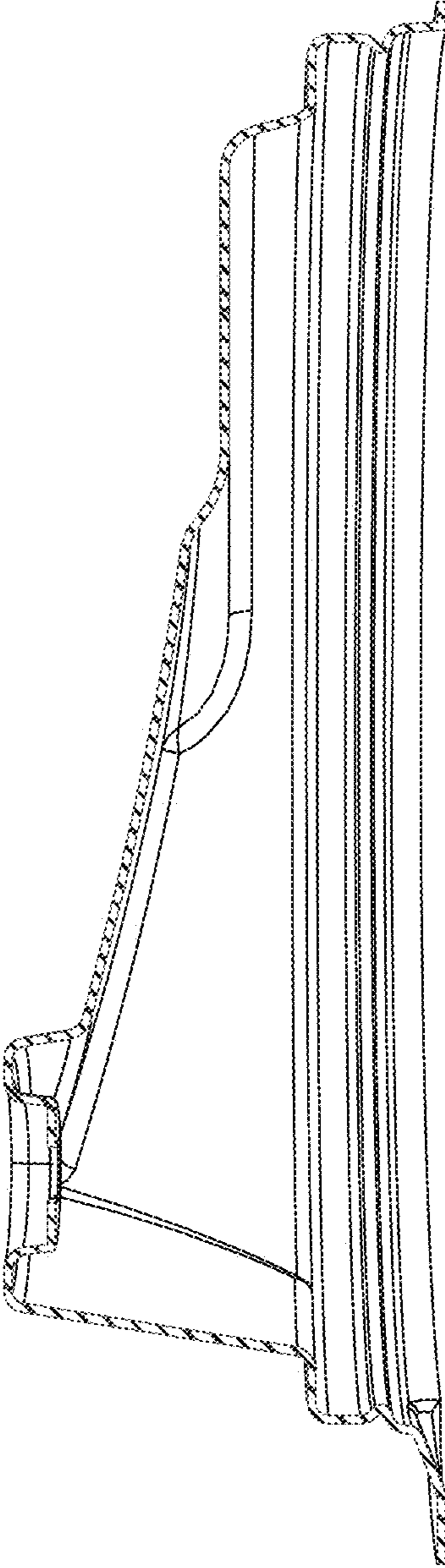


Fig. 9

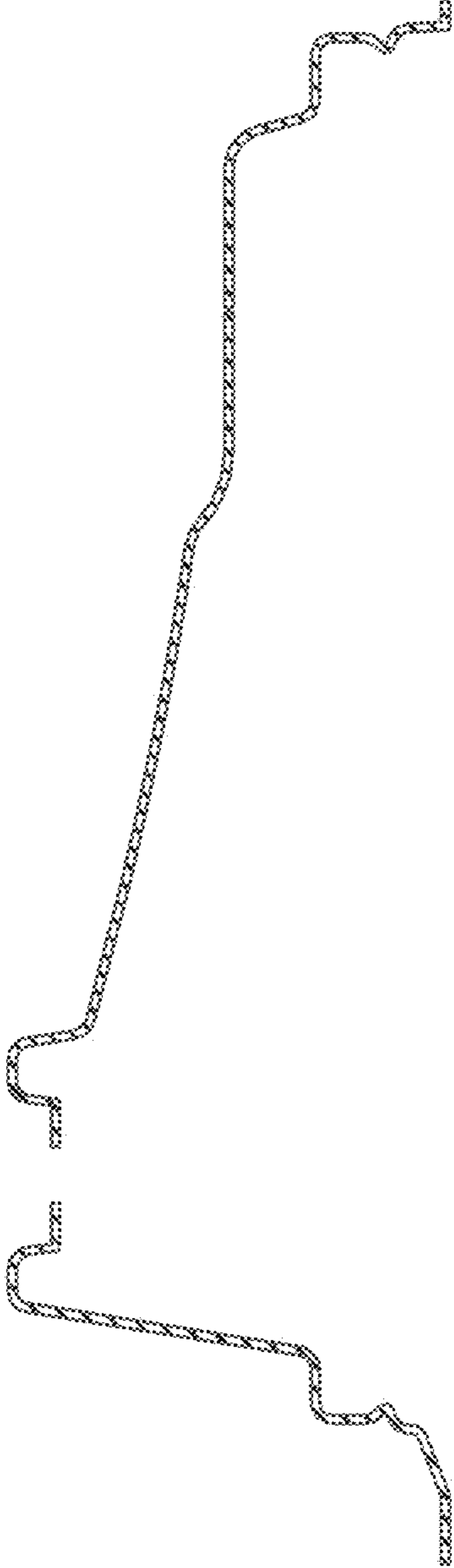


Fig. 10