



US00D964165S

(12) **United States Design Patent**
Kanthabalan

(10) **Patent No.:** **US D964,165 S**
(45) **Date of Patent:** **** Sep. 20, 2022**

(54) **COVER FOR A WATER BOTTLE**

(71) Applicant: **Ana Abhiramy Kanthabalan**, Cardiff (GB)

(72) Inventor: **Ana Abhiramy Kanthabalan**, Cardiff (GB)

(**) Term: **15 Years**

(21) Appl. No.: **29/698,757**

(22) Filed: **Jul. 19, 2019**

(51) **LOC (13) Cl.** **09-07**

(52) **U.S. Cl.**

USPC **D9/435**; D9/451; D9/624

(58) **Field of Classification Search**

USPC D7/389, 515, 392.1, 396.2; D9/444, 445, D9/624, 441, 451, 600, 434-436, 499, D9/628; D24/215

CPC .. B65D 81/365; B65D 81/363; B65D 81/368; B65D 81/366; B65D 2251/06

See application file for complete search history.

(56) **References Cited**

U.S. PATENT DOCUMENTS

D259,702 S *	6/1981	Richmond	D9/624
D500,952 S *	1/2005	Moore	D9/504
D527,273 S *	8/2006	Edwards	D9/600
D536,931 S *	2/2007	Spellman	D7/594
D633,392 S *	3/2011	Northrop	D9/521
D760,914 S *	7/2016	Hutchinson	D24/215
D810,513 S *	2/2018	McCoy	D7/514
D855,819 S *	8/2019	Oyebade	D24/215
D882,816 S *	4/2020	Dumler	D24/215
D901,707 S *	11/2020	Meissner	D24/215
D910,869 S *	2/2021	Xiong	D24/215
D923,193 S *	6/2021	Zhou	D24/215

OTHER PUBLICATIONS

Etsy. Penis Straws, Bachelorette Party Favors, Bachelorette Party Straws, Hen Party Straws, Adult Party Straws, Bachelorette Party

Decorations. Jul. 15, 2021. <https://www.etsy.com/listing/677359532/penis-straws-bachelorette-party-favors> (Year: 2021).*

ZM Online. Keep yourself warm with this hilarious penis-shaped hot water bottle! May 8, 2020. <https://www.zmonline.com/the-latest/keep-yourself-warm-with-this-hilarious-penis-shaped-hot-water-bottle/> (Year: 2020).*

* cited by examiner

Primary Examiner — Darcey E Gottschalk

(74) *Attorney, Agent, or Firm* — Calfee, Halter & Griswold LLP

(57) **CLAIM**

I claim the ornamental design for a cover for a water bottle, as shown and described.

DESCRIPTION

FIG. 1 is a front/left/top perspective view of a cover for a water bottle in an uninflated state;

FIG. 2 is another front/left/top perspective view thereof shown with the water bottle in an inflated state;

FIG. 3 is a top plan view thereof shown with the water bottle in an inflated state;

FIG. 4 is a left side elevational view thereof shown with the water bottle in an uninflated state;

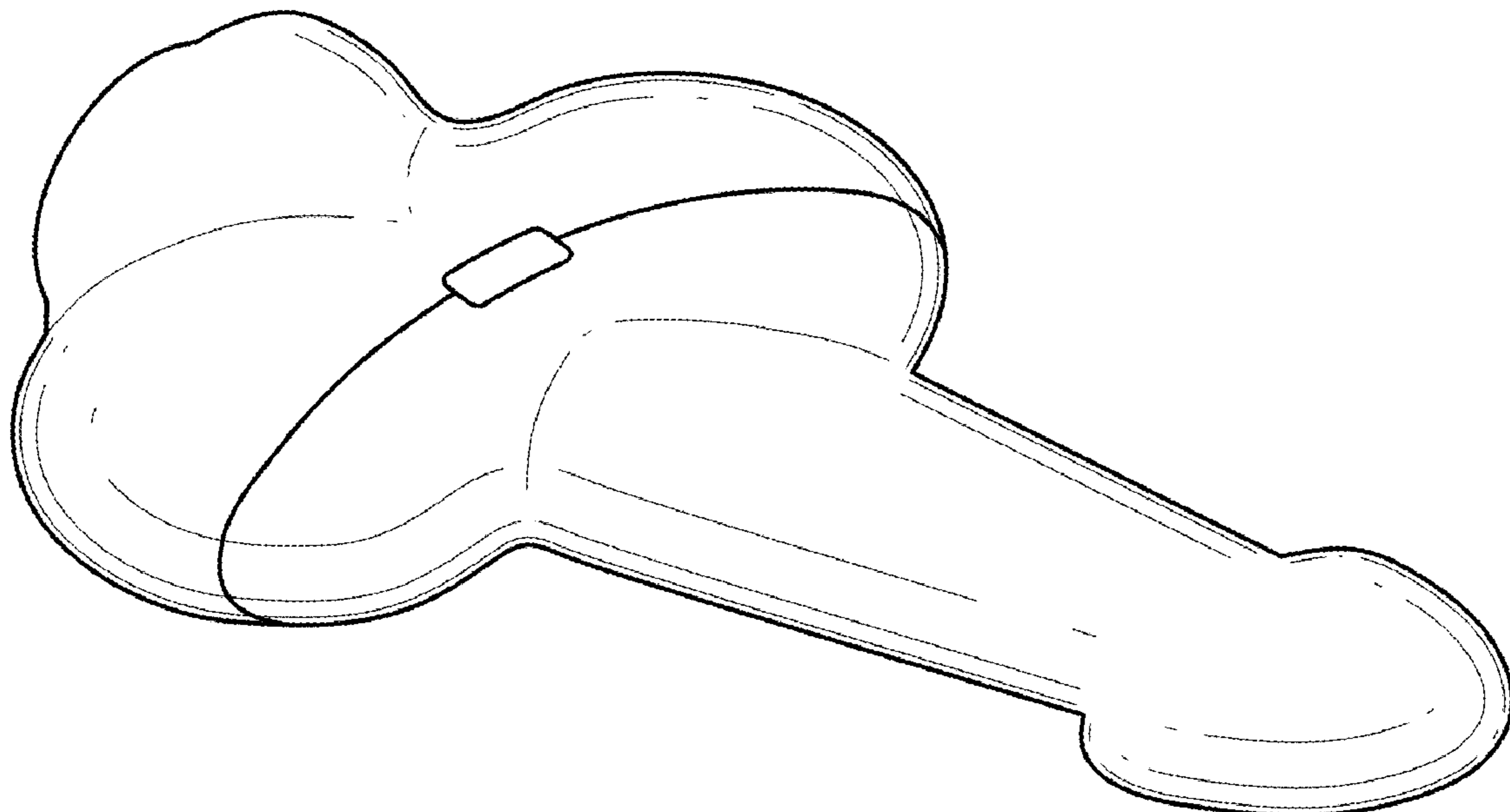
FIG. 5 is another left side elevational view thereof shown with the water bottle in an inflated state;

FIG. 6 is a rear elevational view thereof shown with the water bottle in an inflated state; and,

FIG. 7 is another rear elevational view thereof shown with the water bottle in an uninflated state.

In the drawings, the broken lines show portions of a water bottle that forms no part of the claim.

1 Claim, 5 Drawing Sheets



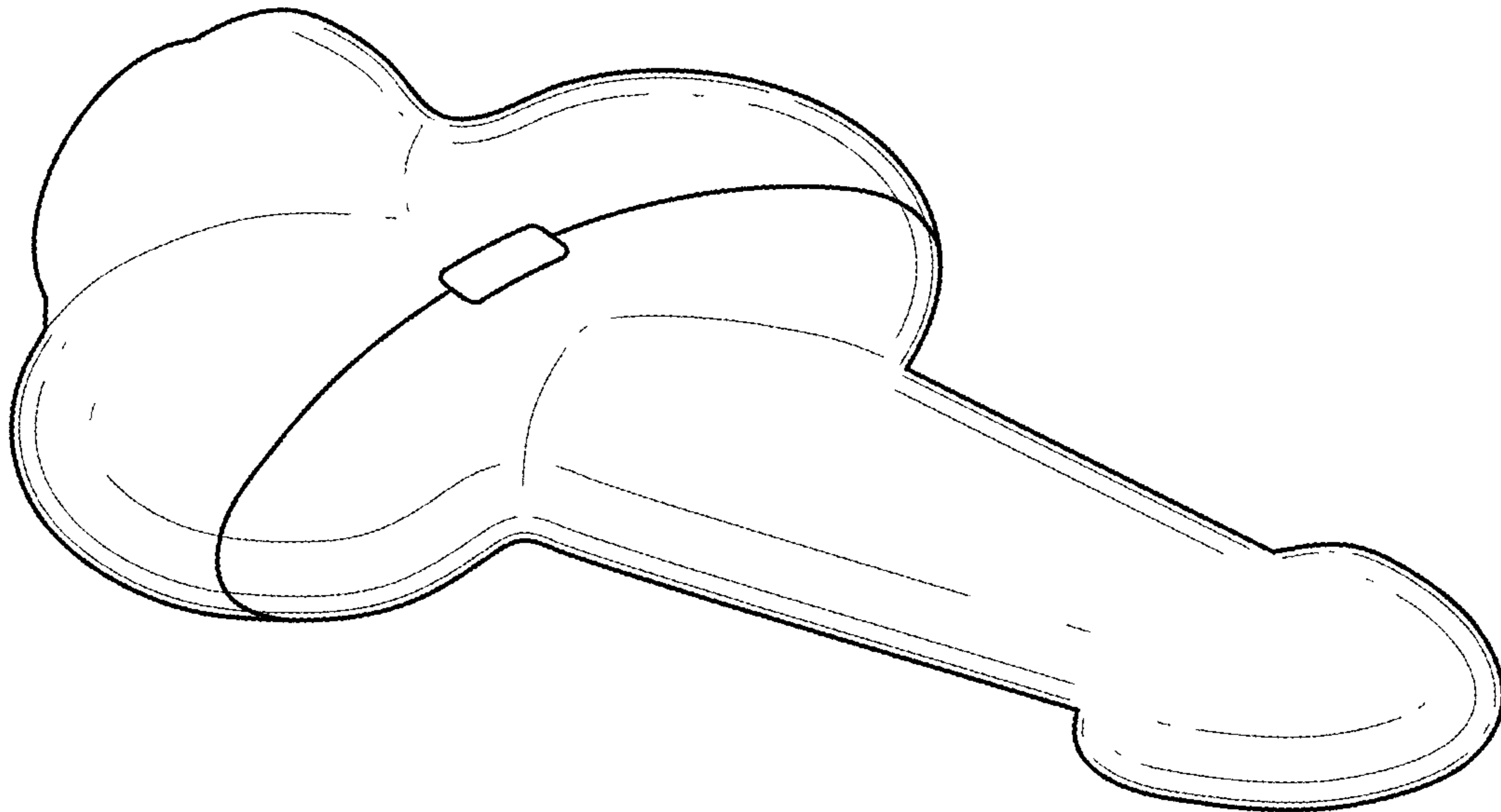


FIG. 1

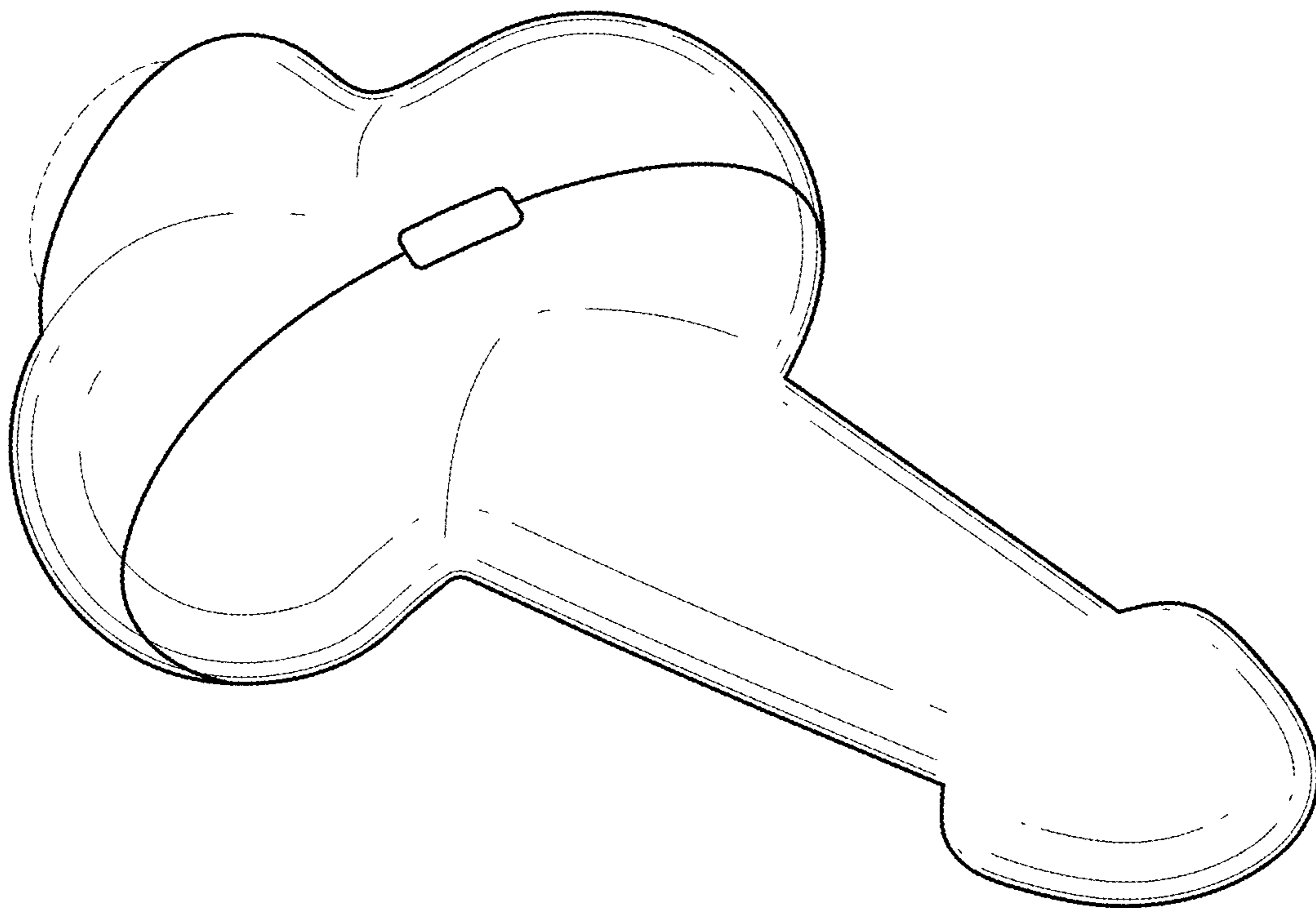


FIG. 2

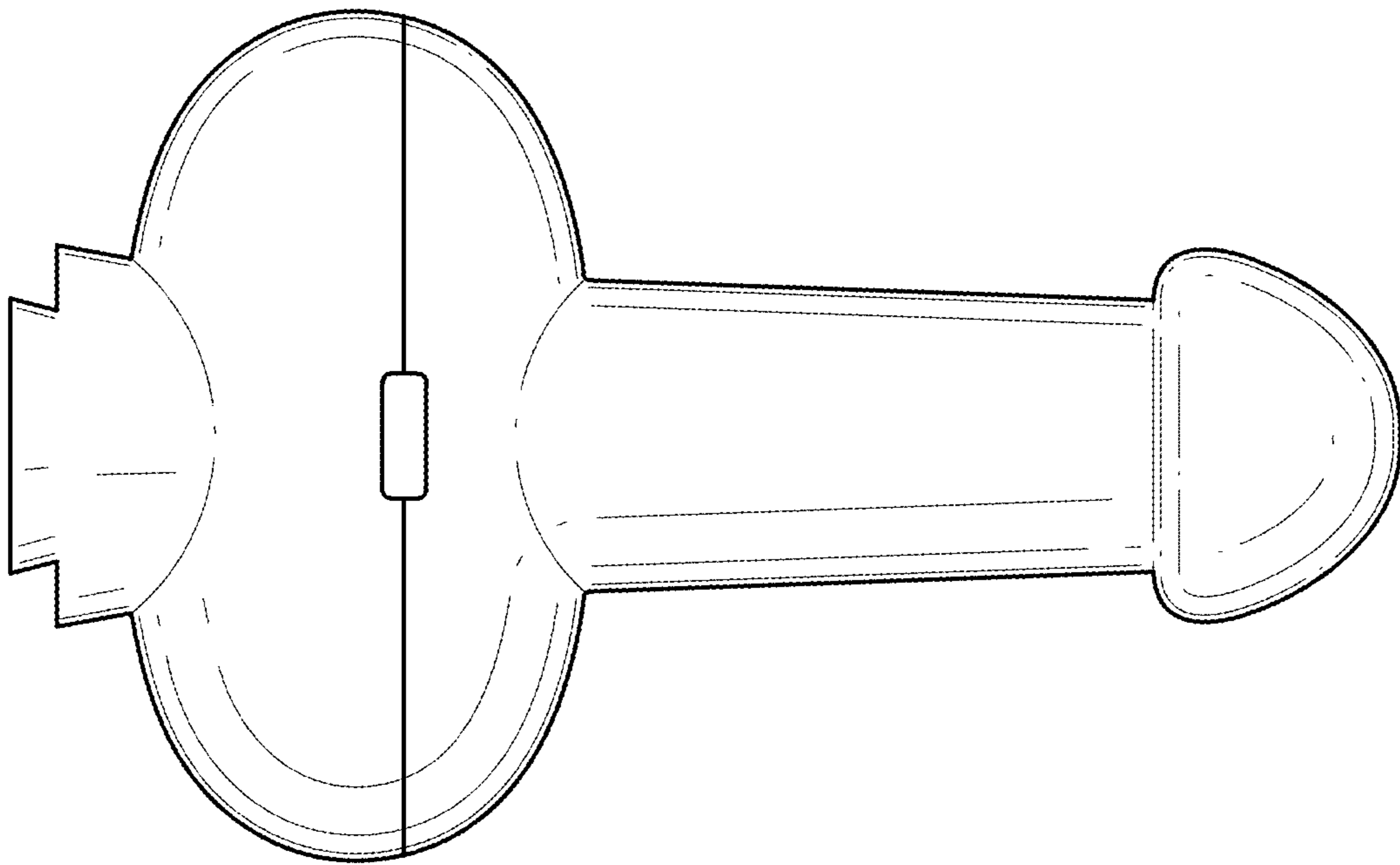


FIG. 3

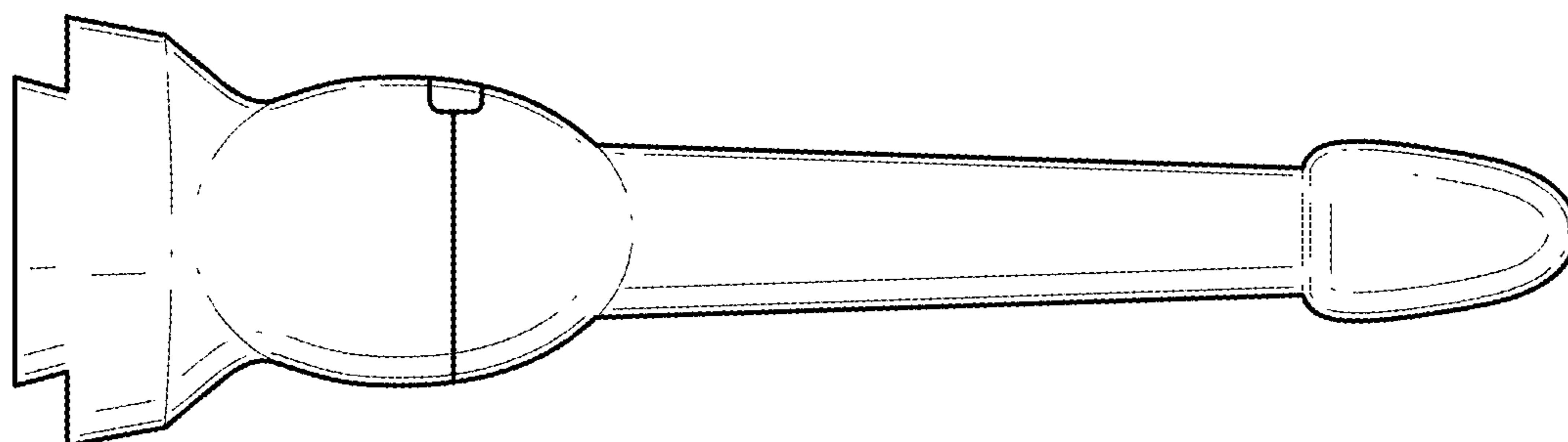


FIG. 4

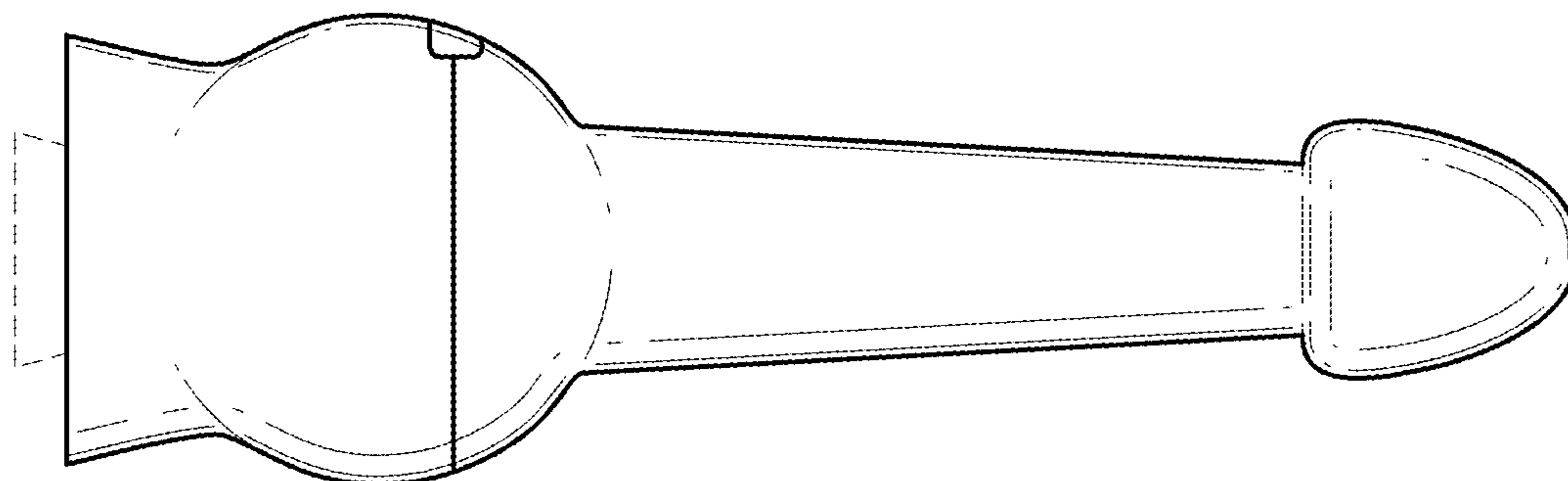


FIG. 5

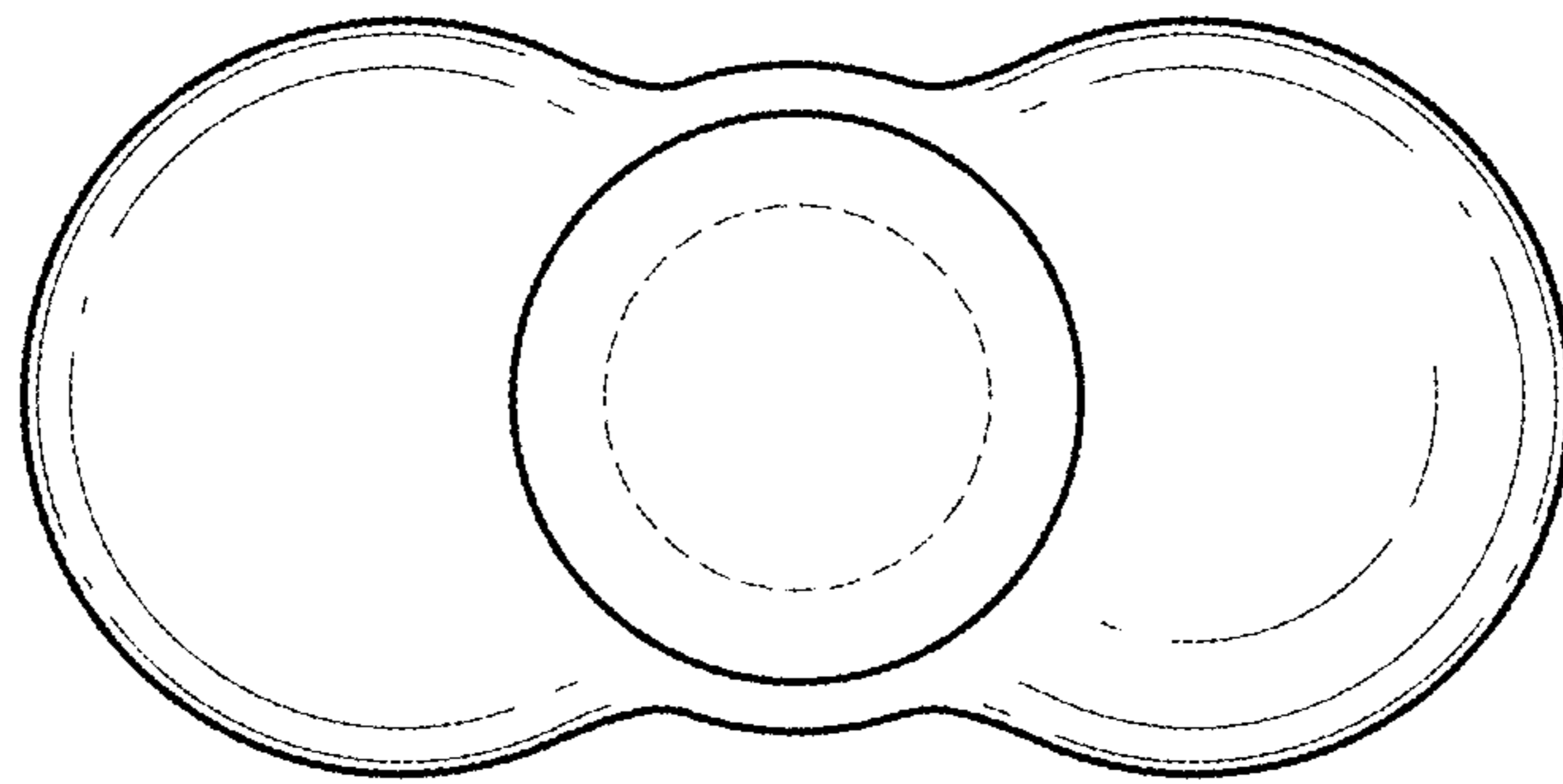


FIG. 6

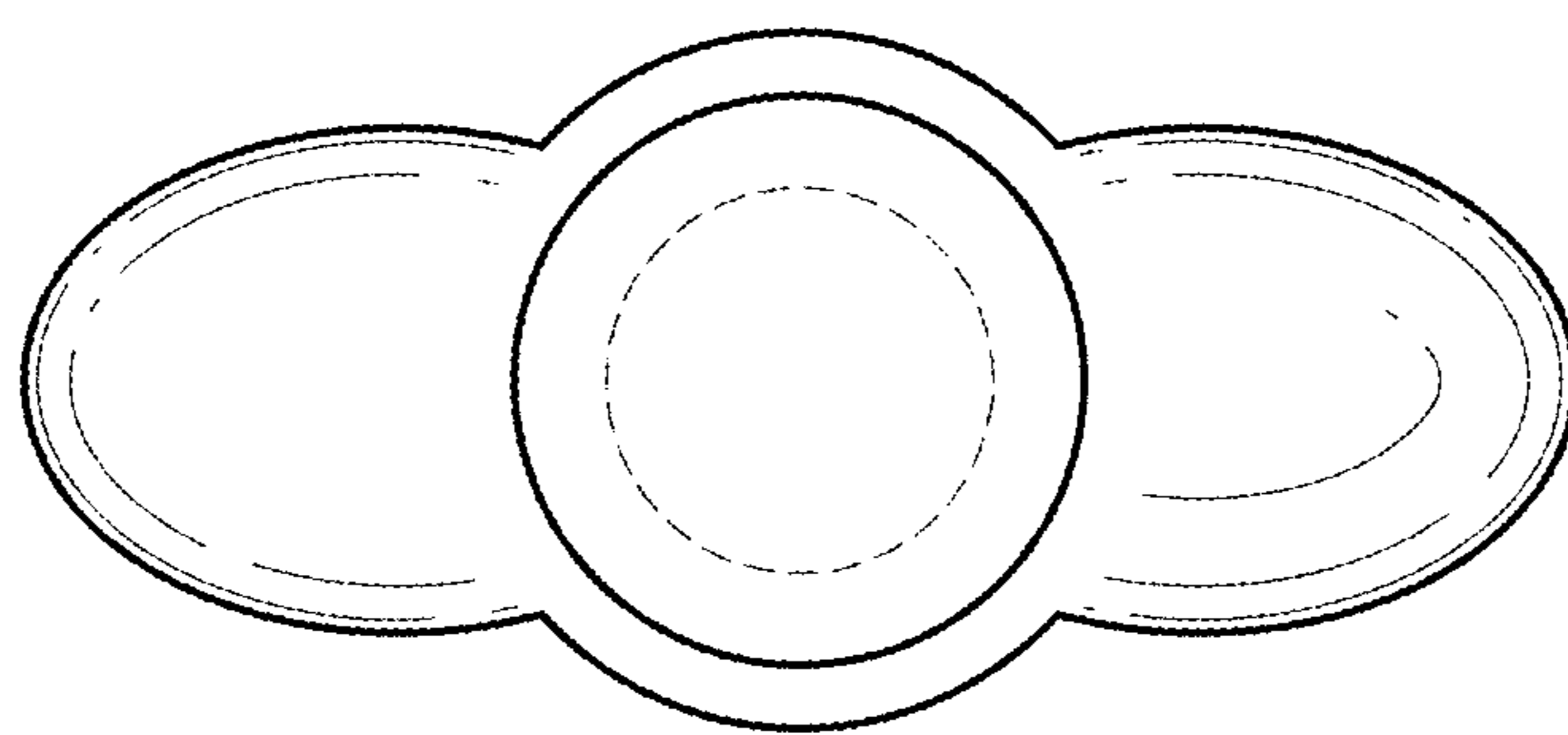


FIG. 7