

US00D964163S

(12) **United States Design Patent** (10) **Patent No.:** **US D964,163 S**
Chen et al. (45) **Date of Patent:** **** Sep. 20, 2022**

(54) **WARDROBE BOX ASSEMBLY** 2,770,357 A 11/1956 Sheard
2,796,977 A * 6/1957 Divine B65D 85/185
206/291
(71) Applicant: **Pratt Corrugated Holdings, Inc.**,
Brookhaven, GA (US) 2,817,431 A 12/1957 Cecil
2,827,160 A 3/1958 Richer
3,057,461 A 10/1962 Richer
(72) Inventors: **Shifeng Chen**, Newport News, VA
(US); **Greg Sollie**, Sharpsburg, GA
(US); **Hannah Conrad**, Memphis, TN
(US); **Randy Ball**, Peachtree, GA (US) (Continued)

FOREIGN PATENT DOCUMENTS

(73) Assignee: **Pratt Corrugated Holdings, Inc.**,
Brookhaven, GA (US) GB 2419130 4/2009
KR 101564728 10/2015

OTHER PUBLICATIONS

(**) Term: **15 Years**
(21) Appl. No.: **29/765,524**
(22) Filed: **Jan. 8, 2021**
(51) **LOC (13) Cl.** **09-03**
(52) **U.S. Cl.**
USPC **D9/432**
(58) **Field of Classification Search**
USPC D9/414-420, 421-431, 432-434, 442,
D9/445, 456, 542, 563, 600, 614-624,
D9/707, 708, 711, 737, 754, 759;
D3/273, 276, 277, 280, 282, 283, 304,
D3/309-313; D7/601, 602, 624.2, 709
CPC B65D 5/00; B65D 5/001; B65D 5/0027;
B65D 5/0254; B65D 5/18; B65D 5/38;
B65D 5/40; B65D 5/2033; B65D
5/48024; B65D 5/6605; B65D 1/22;
B65D 1/24; B65D 1/34; B65B 5/06
See application file for complete search history.

Bankers Box SmoothMove Wardrobe Moving Boxes, Short, 20x20x34
Inches, 3 Pack (7710902). Online, published date Apr. 4, 2016.
Retrieved on Feb. 10, 2022 from URL: https://www.amazon.com/Bankers-Box-SmoothMove-Wardrobe-7710902/dp/B01DVPIDOA/ref=sr_1_5?crid=3APWGHIA7TPLR&keywords=wardrobe%2Bbox&qid=1644530720&sprefix=.*

(Continued)

Primary Examiner — Omeed Agilee
(74) *Attorney, Agent, or Firm* — Taylor English Duma
LLP

(57) **CLAIM**

We claim the ornamental design for a wardrobe box assembly, as shown and described.

DESCRIPTION

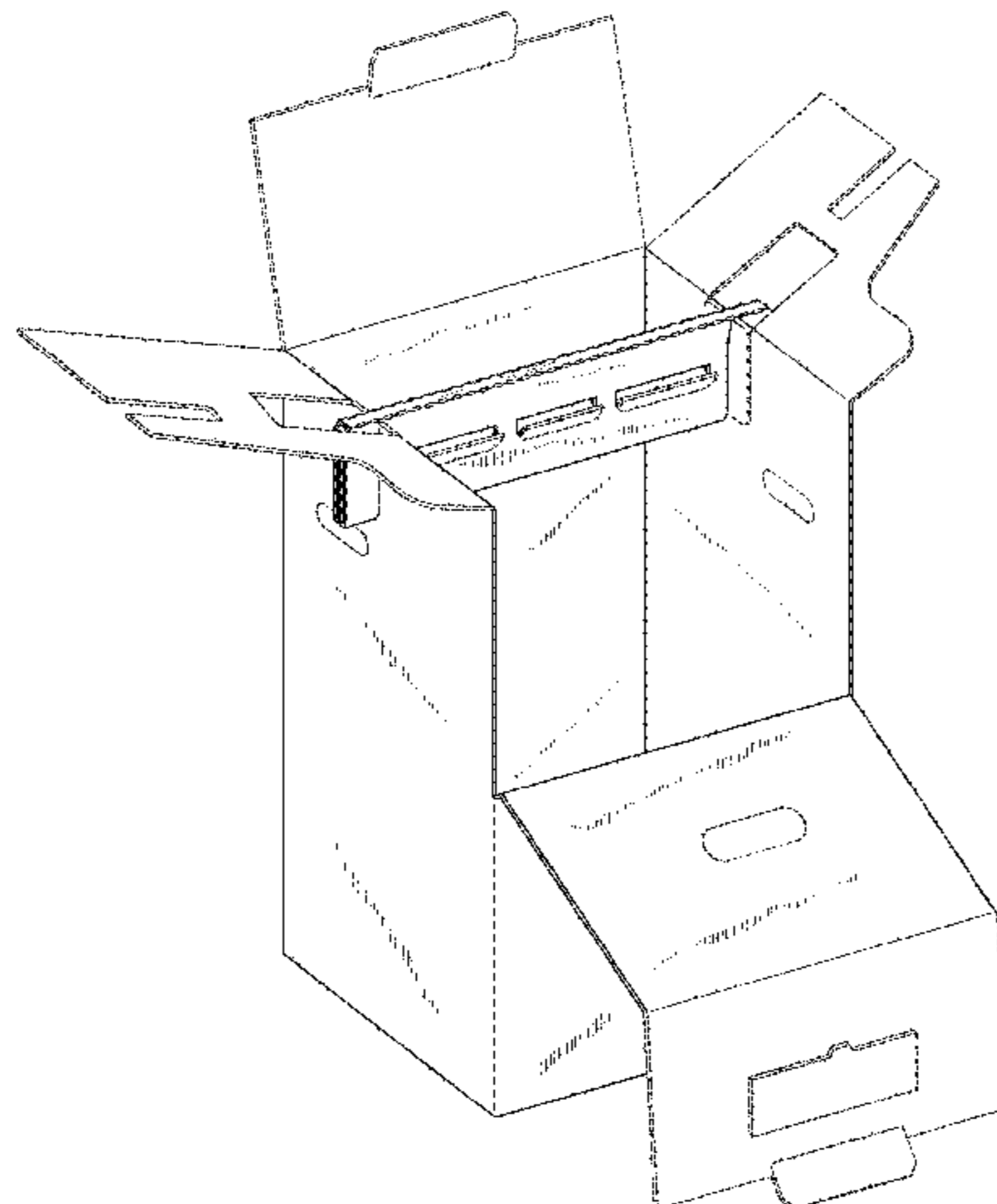
FIG. 1 is a perspective view of a wardrobe box assembly.
FIG. 2 is a left-side elevation view thereof.
FIG. 3 is a right-side elevation view thereof.
FIG. 4 is a front elevation view thereof.
FIG. 5 is a rear elevation view thereof.
FIG. 6 is a top plan view thereof; and,
FIG. 7 is a bottom plan view thereof.
The broken lines in the drawings depict portions of the wardrobe box assembly that form no part of the claimed design.

1 Claim, 7 Drawing Sheets

(56) **References Cited**

U.S. PATENT DOCUMENTS

1,448,629 A * 3/1923 Howard A47G 25/36
223/71
1,680,932 A * 8/1928 Bliss B65D 5/18
229/102
2,028,247 A * 1/1936 Ritter, Jr. A45C 11/02
206/8
2,760,627 A * 8/1956 Denby B65D 85/18
206/289



(56)

References Cited

U.S. PATENT DOCUMENTS

3,057,482	A	10/1962	Richer	
3,357,542	A	12/1967	Aquino et al.	
3,360,113	A	12/1967	Bower	
D249,123	S *	8/1978	Dogliotti	D9/433
4,272,116	A	6/1981	Tufte, Jr.	
D290,444	S *	6/1987	Osborne	D9/423
D681,442	S *	5/2013	Kengla	D9/414
D681,444	S *	5/2013	Oja	D9/418
D801,803	S *	11/2017	Mitten	D9/416
9,988,193	B1 *	6/2018	Koeppel	A45C 11/00
D871,203	S *	12/2019	Koeppel	D9/414
D910,431	S *	2/2021	Gray	D9/423
D934,068	S *	10/2021	Hochschuler	D9/420
2010/0308067	A1 *	12/2010	Lopez Masague ..	B65D 5/6605 220/810
2022/0194689	A1	6/2022	Chen et al.	

OTHER PUBLICATIONS

EOBALAK.CZ; Article entitled: "Wardrobe Box", located at <<https://www.eobalak.cz/en/boxes/49-wardrobe-boxes.html>>, accessed on Aug. 25, 2020, 3 pgs.

RHE; Article entitled: "Hanger Pack & Wardrobe Container Boxes", located at <<https://rhecontainer.com>>, accessed on Aug. 25, 2020, 4 pgs.

* cited by examiner

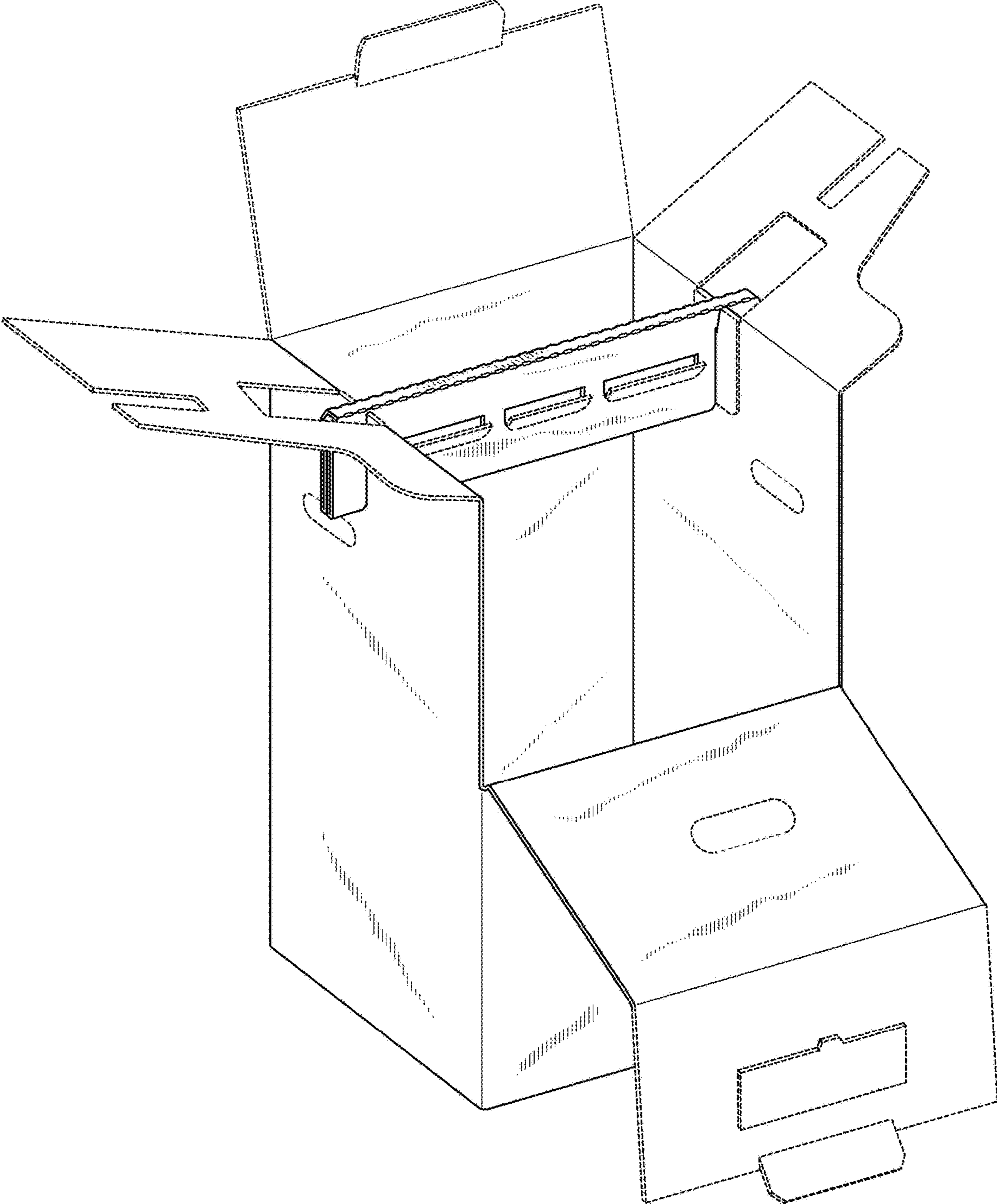


FIG. 1

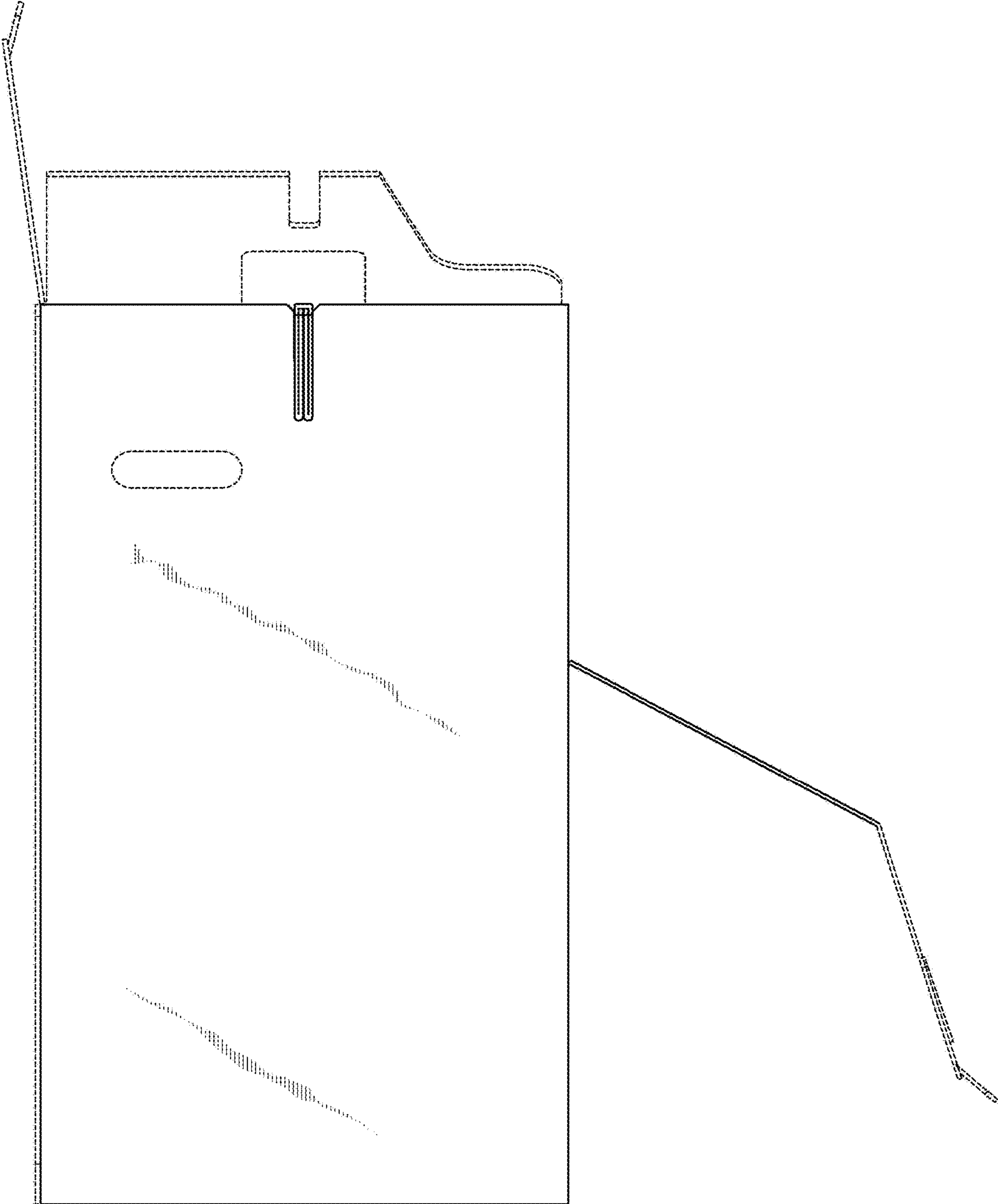


FIG. 2

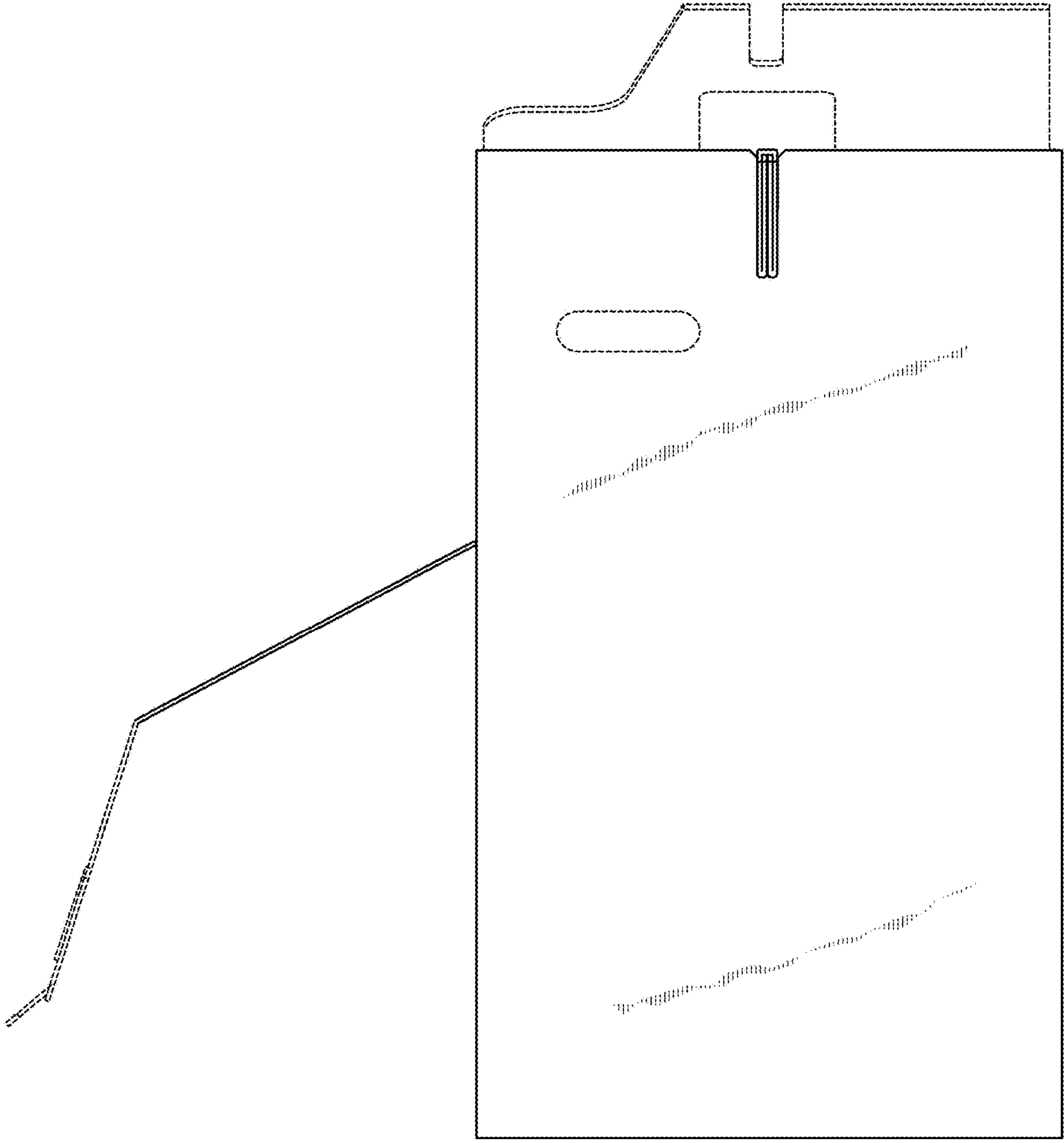


FIG. 3

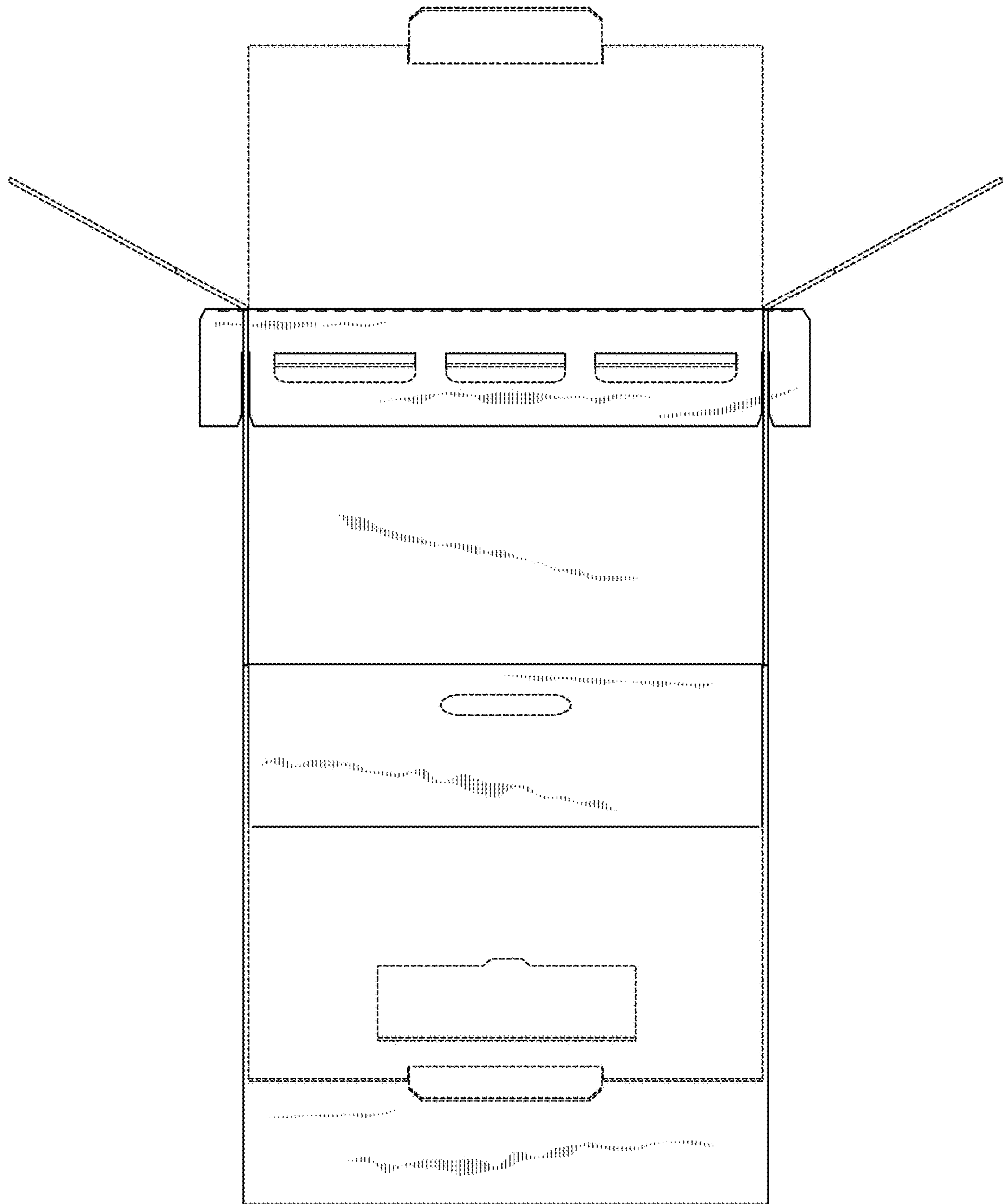


FIG. 4

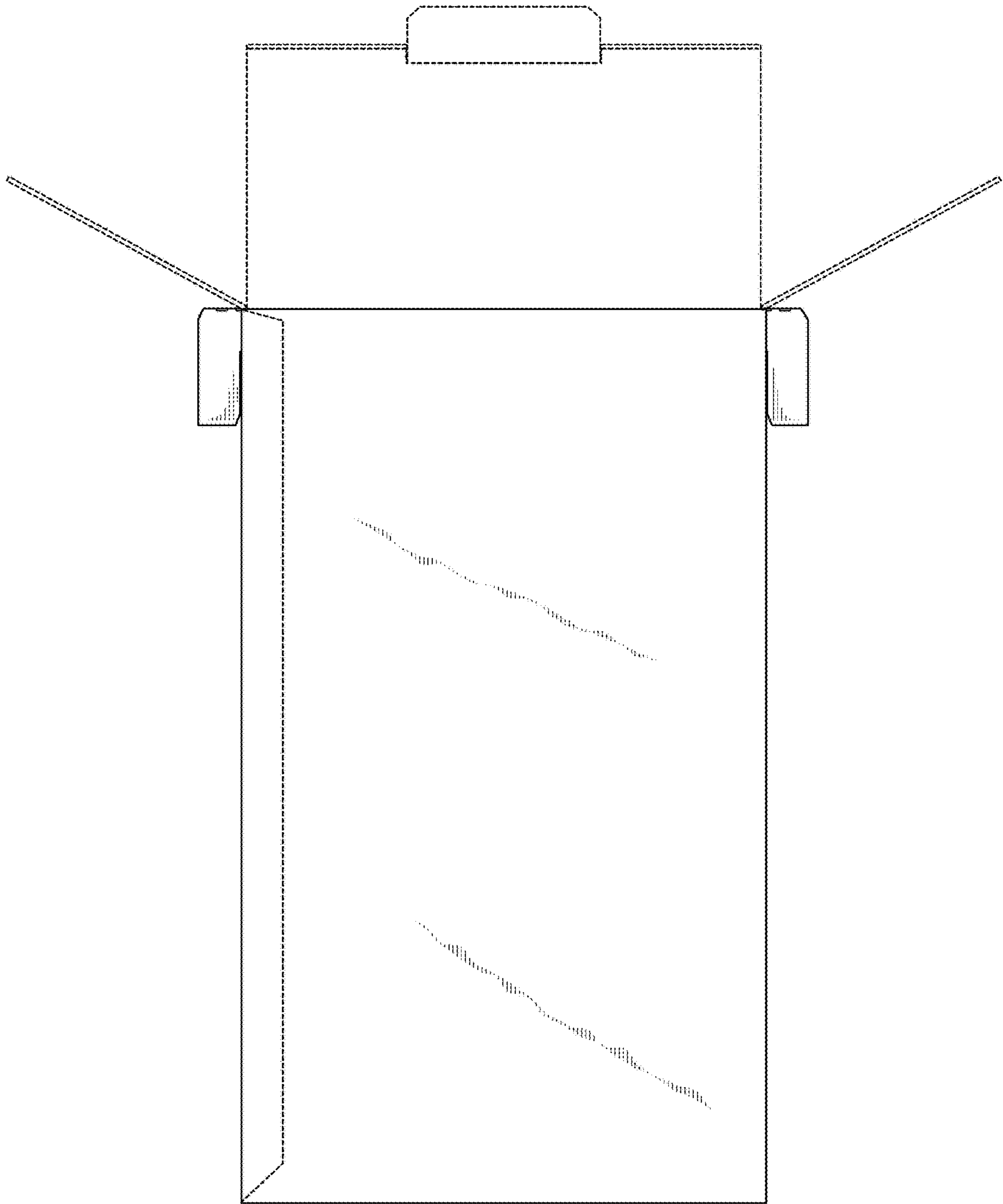


FIG. 5

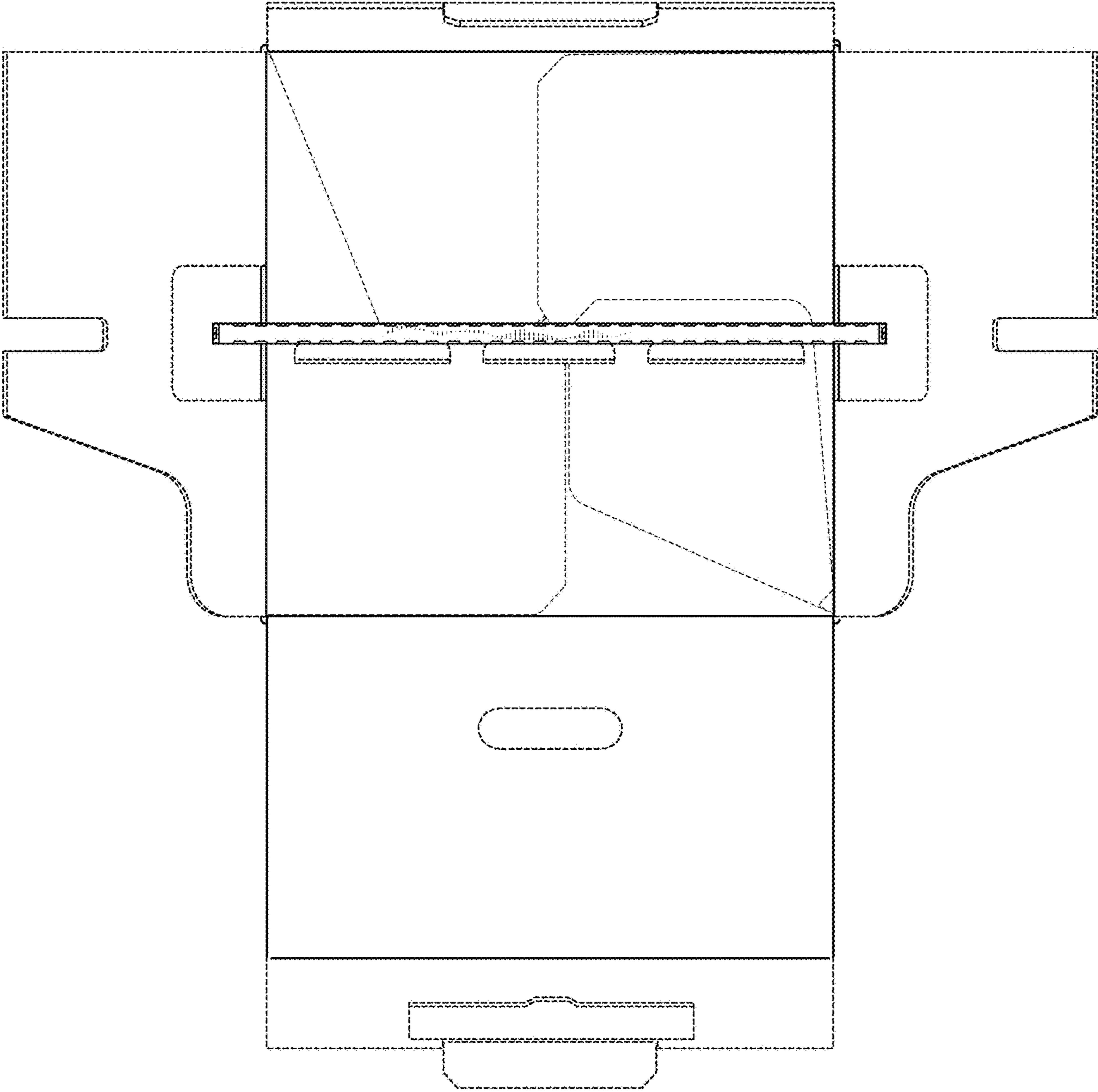


FIG. 6

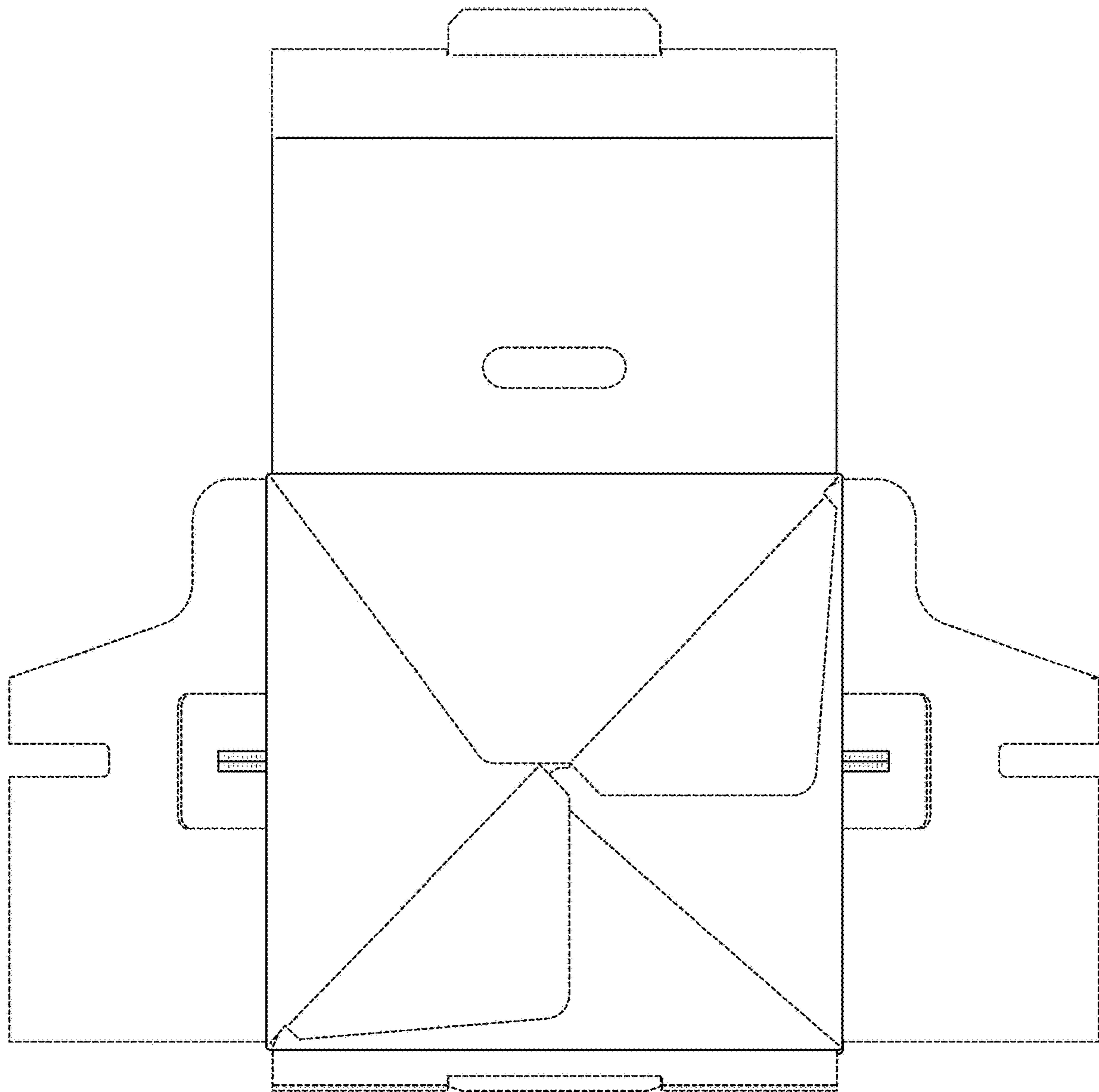


FIG. 7