

US00D964162S

(12) **United States Design Patent** (10) **Patent No.:** **US D964,162 S**  
**Jensen** (45) **Date of Patent:** **\*\* Sep. 20, 2022**

(54) **PRODUCT CONTAINER**

FOREIGN PATENT DOCUMENTS

(71) Applicant: **Lifestyle Products, LLC**, Logan, UT (US)

CN 202130141279.6 \* 6/2021

(72) Inventor: **Robyn Jensen**, Hyde Park, UT (US)

OTHER PUBLICATIONS

(73) Assignee: **Lifestyle Products, LLC**, Logan, UT (US)

Free Printable—Origami Crystal Box + Tutorial. Online, published date May 27, 2015. Retrieved on Feb. 11, 2022 from URL: <https://www.paperkawaii.com/free-printable-origami-crystal-box-tutorial/>.\*

(\*\*) Term: **15 Years**

(Continued)

(21) Appl. No.: **29/728,977**

*Primary Examiner* — Omeed Agilee

(22) Filed: **Mar. 23, 2020**

(74) *Attorney, Agent, or Firm* — Preston P. Frischknecht; Project CIP

(51) **LOC (13) Cl.** ..... **09-03**

(52) **U.S. Cl.**  
USPC ..... **D9/430**

(58) **Field of Classification Search**  
USPC ..... D9/414–420, 421–434, 442, 445, 456, D9/499, 542, 563, 600, 614–624, 661, D9/635, 643, 699, 707, 708, 711, 739, D9/754, 759; D3/273, 276, 304, D3/309–313; D6/574, 571, 705, 677.1; D7/387, 388, 601, 602, 605, 607, 608, D7/619.1, 619.2, 620, 621, 622, 623, 624, D7/625, 701–708  
CPC . A47K 3/001; B65B 5/06; B65D 1/22; B65D 1/24; B65D 1/34; B65D 73/0035; B65D 73/0085; B65D 75/58; B65D 2543/00194; B65D 1/36; B65D 73/0078; B65D 2543/00805; B65D 73/0042; B65D 75/225; B65D 5/00; B65D 5/001; B65D 5/0027; B65D 5/0254; B65D 5/18; B65D 5/38; B65D 5/40; B65D 5/2033; B65D 5/48024; B65D 5/6605; A47F 5/01; A47F

(57) **CLAIM**

The ornamental design for a product container, as shown and described.

**DESCRIPTION**

FIG. 1 is a front isometric view of a product container, showing a new design in an assembled configuration; FIG. 2 is a front isometric view thereof in a disassembled configuration; FIG. 3 is a front view thereof in an assembled configuration; FIG. 4 is a back view thereof in an assembled configuration; FIG. 5 is a left side view thereof in an assembled configuration; FIG. 6 is a right side view thereof in an assembled configuration; FIG. 7 is a top view thereof in an assembled configuration; and, FIG. 8 is a bottom view thereof in an assembled configuration. The broken lines in the drawings depict portions of the product container that form no part of the claimed design.

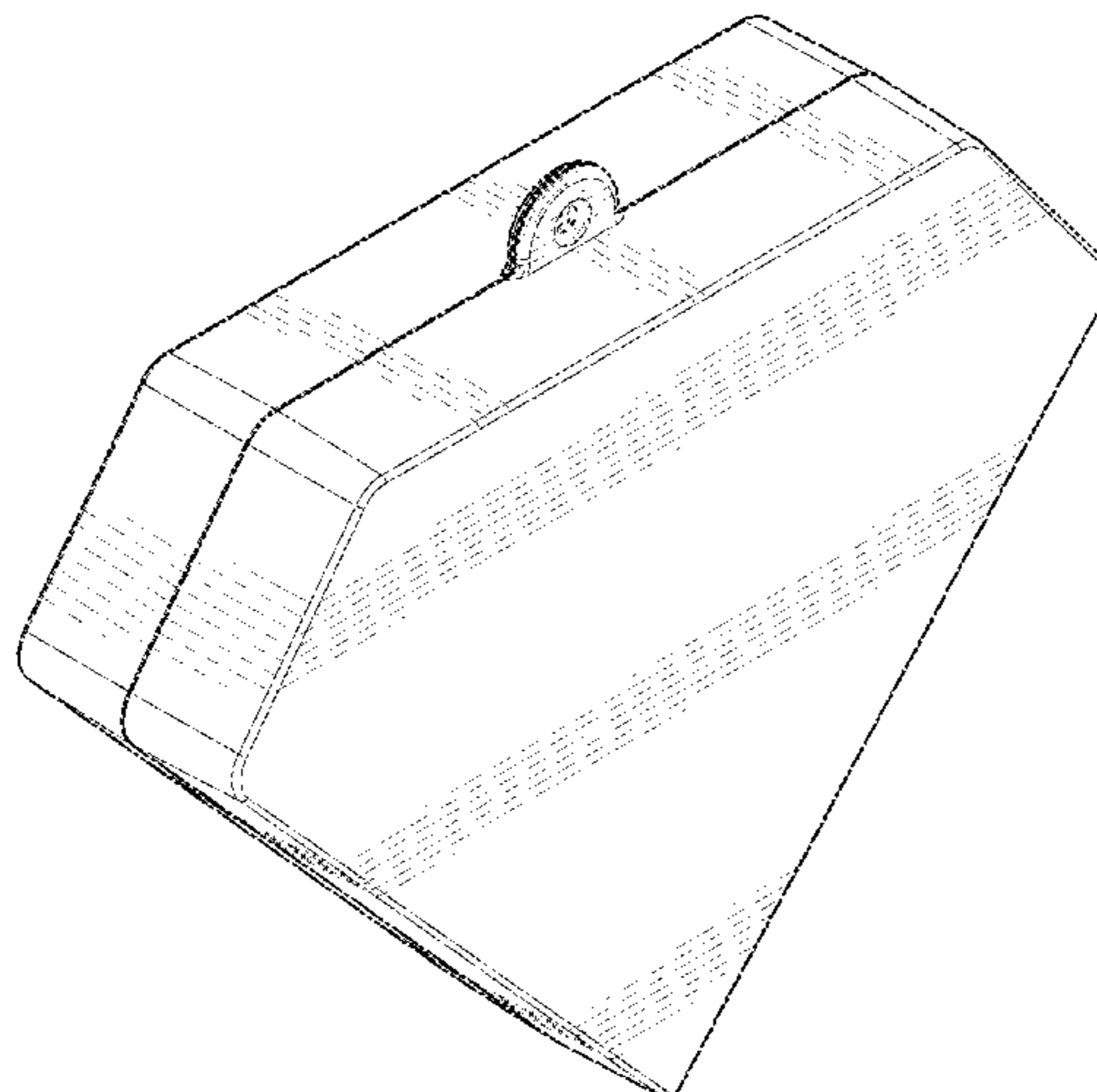
(56) **References Cited**

U.S. PATENT DOCUMENTS

D66,315 S \* 12/1924 Baker ..... D6/524  
1,531,502 A \* 3/1925 Raizen ..... A47F 7/03  
206/6.1

(Continued)

**1 Claim, 6 Drawing Sheets**



(58) **Field of Classification Search**

CPC ..... 5/02; A47F 7/0064; A47G 23/0216; A47G  
23/0225; A47G 23/03; A47G 19/02;  
A47G 19/025; A45C 11/20

See application file for complete search history.

(56) **References Cited**

U.S. PATENT DOCUMENTS

|          |   |   |         |                |       |        |
|----------|---|---|---------|----------------|-------|--------|
| D97,709  | S | * | 12/1935 | Flier          | ..... | D3/294 |
| D216,350 | S | * | 12/1969 | Selwyn         | ..... | D3/903 |
| D260,488 | S | * | 9/1981  | Kinneary       | ..... | D9/668 |
| D339,061 | S | * | 9/1993  | Kilmartin, III | ..... | D9/425 |
| D525,429 | S | * | 7/2006  | Lalwani        | ..... | D3/274 |
| D630,091 | S | * | 1/2011  | Schick         | ..... | D9/430 |
| D917,976 | S | * | 5/2021  | Etgar          | ..... | D7/602 |
| D929,127 | S | * | 8/2021  | Ding           | ..... | D3/273 |

OTHER PUBLICATIONS

Origami Gem Box & Lid Tutorial (Revised). Online, published date Nov. 26, 2017. Retrieved on Feb. 11, 2022 from URL: <https://www.paperkawaii.com/origami-gem-box-lid-tutorial-revised/>.\*

Box packaging die cut template design Premium Vector. Online, published date unknown. Retrieved on Feb. 11, 2022 from URL: [https://www.freepik.com/premium-vector/box-packaging-die-cut-template-design\\_4008145.htm?epik=dj0yJnU9cFZDOExNQ2R4YmduNEs4N1hFcURqTDF2d3RiTGI3a0YmcD0wJm49MjJEVkl0NWdZbE5GRFRjUGdmLUxfQSZ0PUFBQUFBR](https://www.freepik.com/premium-vector/box-packaging-die-cut-template-design_4008145.htm?epik=dj0yJnU9cFZDOExNQ2R4YmduNEs4N1hFcURqTDF2d3RiTGI3a0YmcD0wJm49MjJEVkl0NWdZbE5GRFRjUGdmLUxfQSZ0PUFBQUFBR).\*

Custom dimond jewelry boxes in black color with lilac powder—100pcs—express shipping. Online, published date Jun. 30, 2017. Retrieved on Feb. 11, 2022 from URL: <https://www.etsy.com/listing/869074075/custom-dimond-jewelry-boxes-in-black?epik=dj0yJnU9dW1CUGY5ZzV1S3VOemFBSkx6Vk9OZIU5ZFJEaG00NWEmcD0wJm49b2hiLVFnRVRrU29>.\*

\* cited by examiner

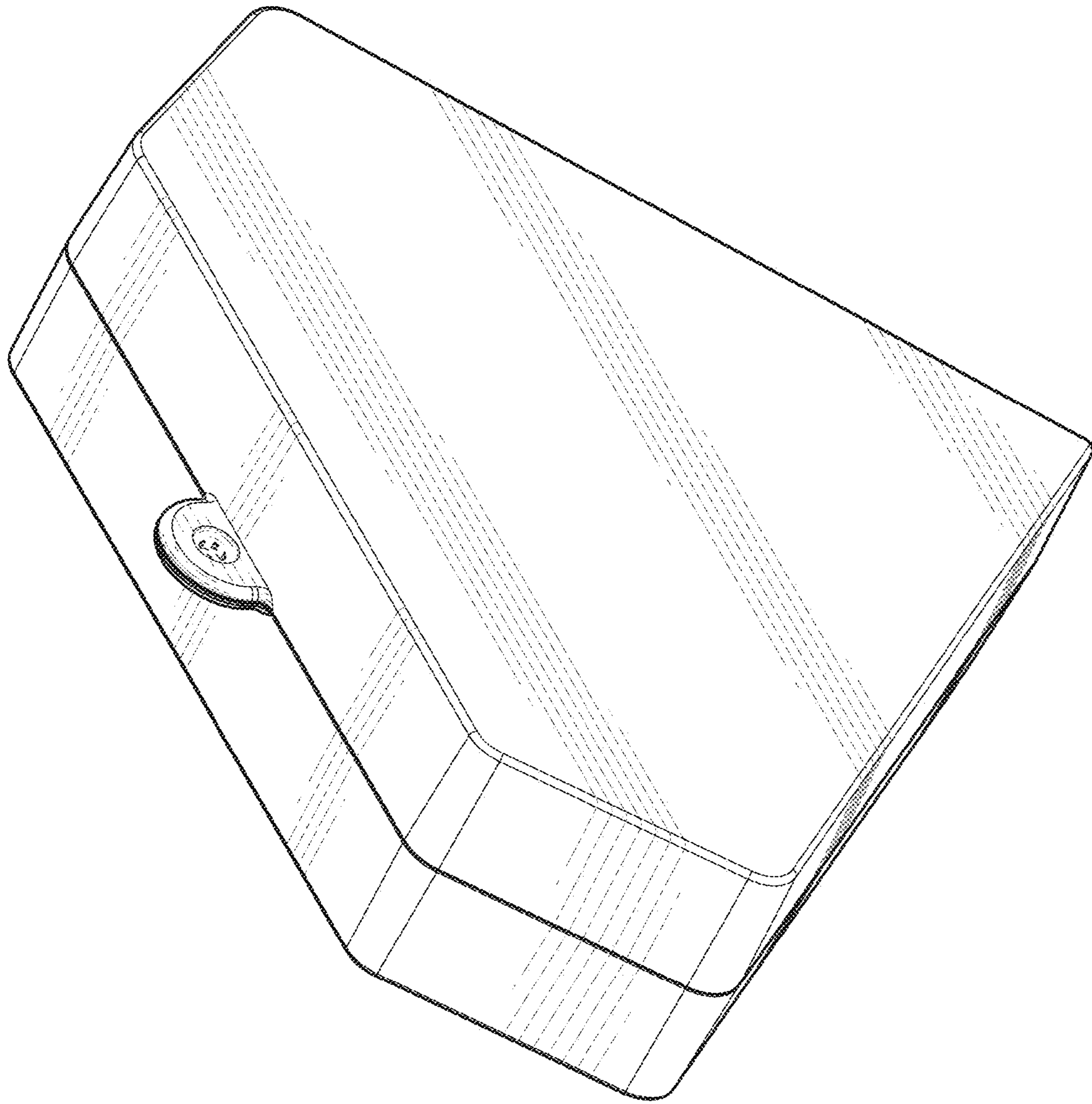


FIG. 1

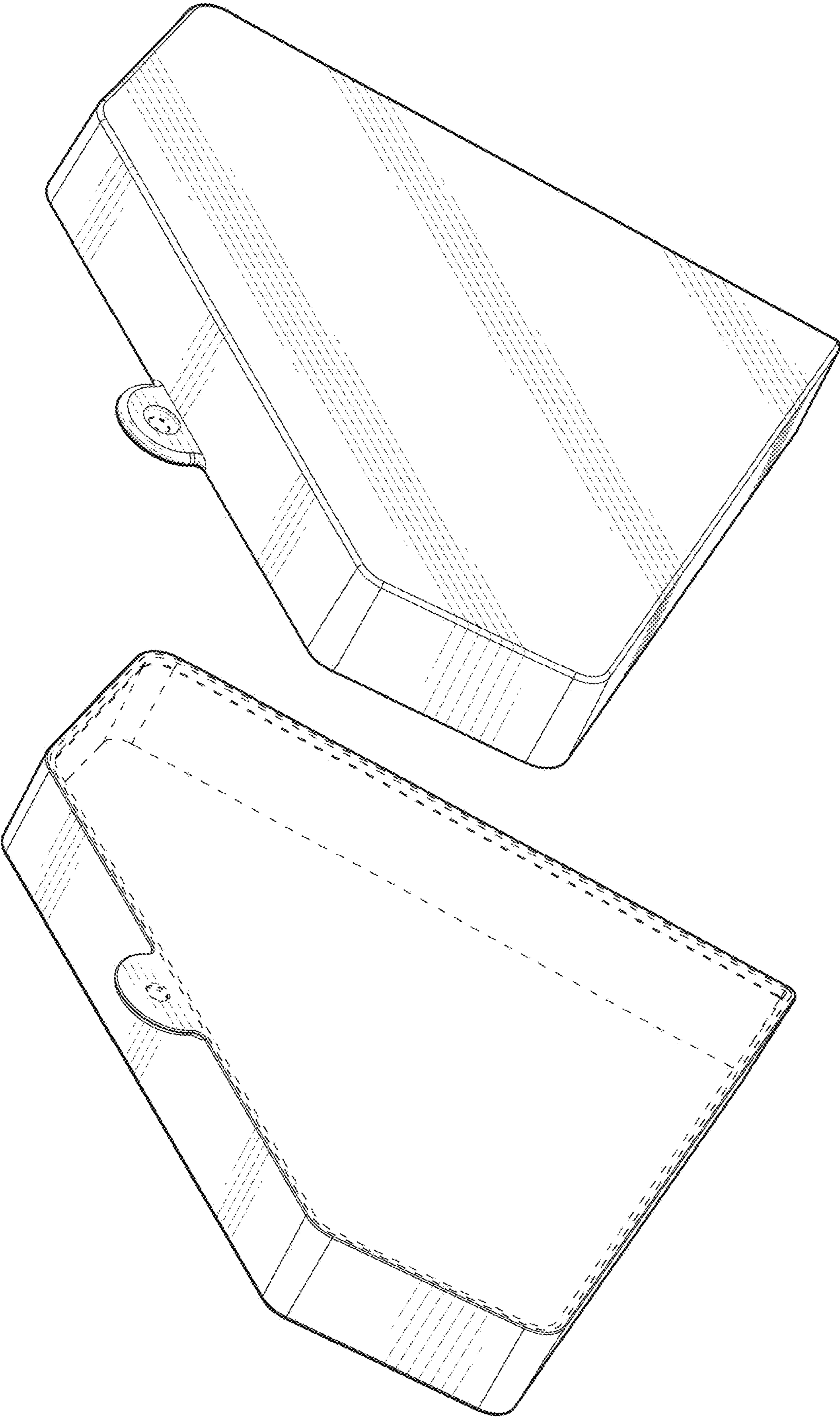


FIG. 2

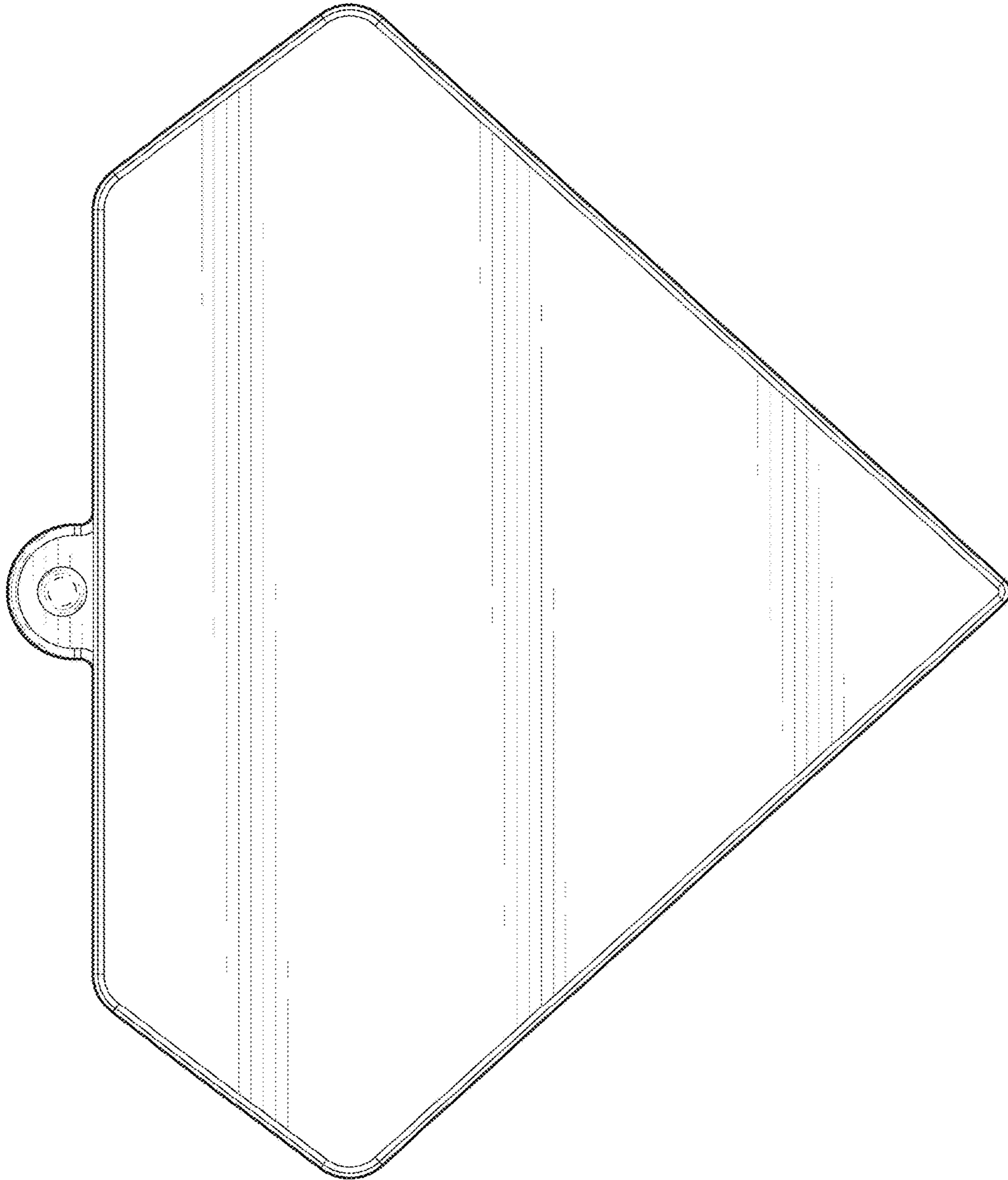


FIG. 3

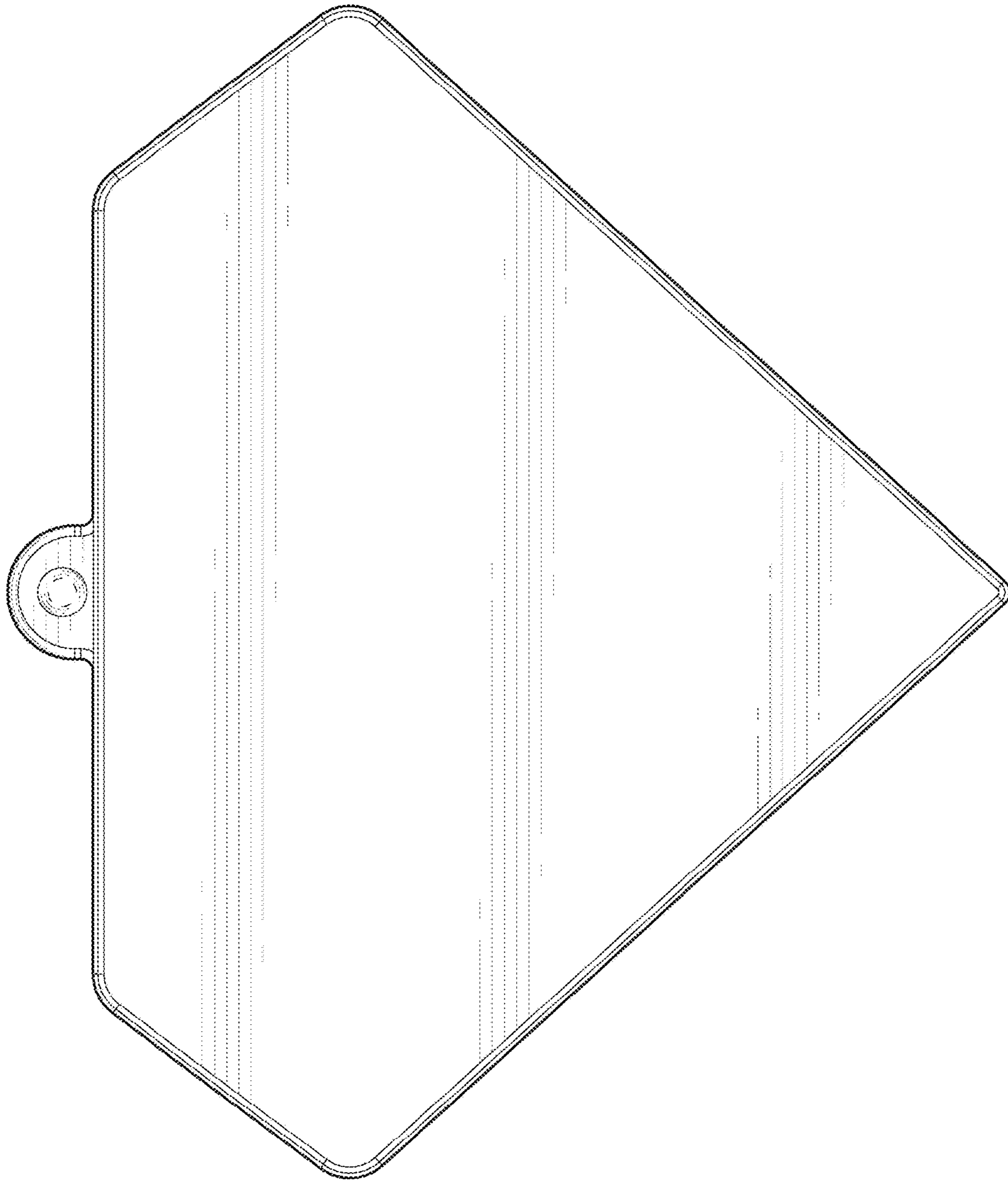


FIG. 4

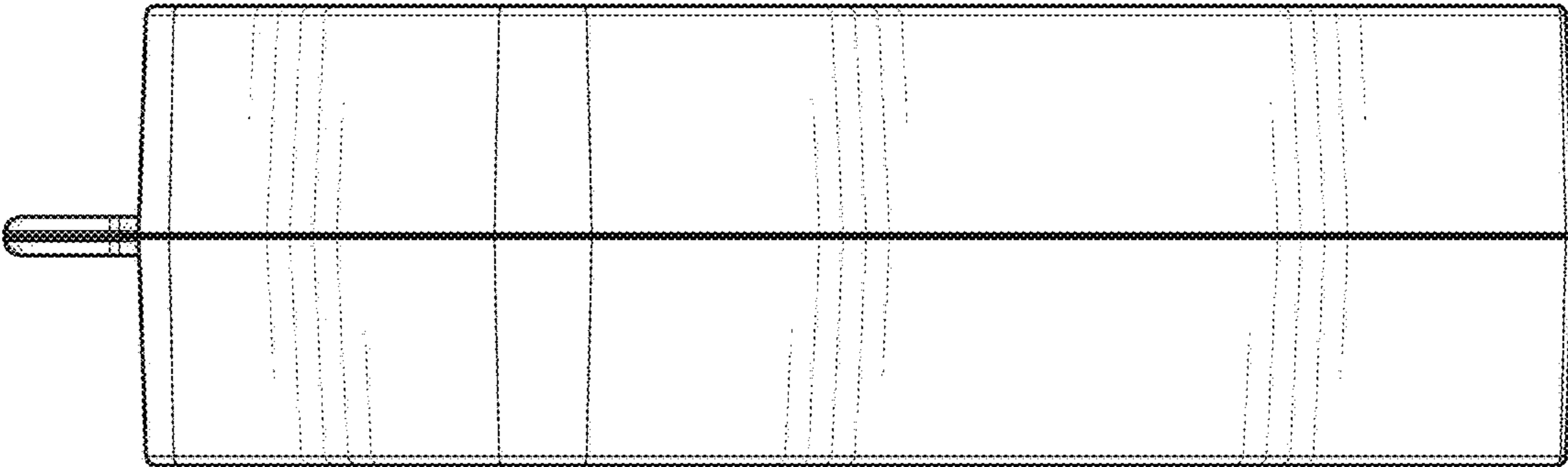


FIG. 6

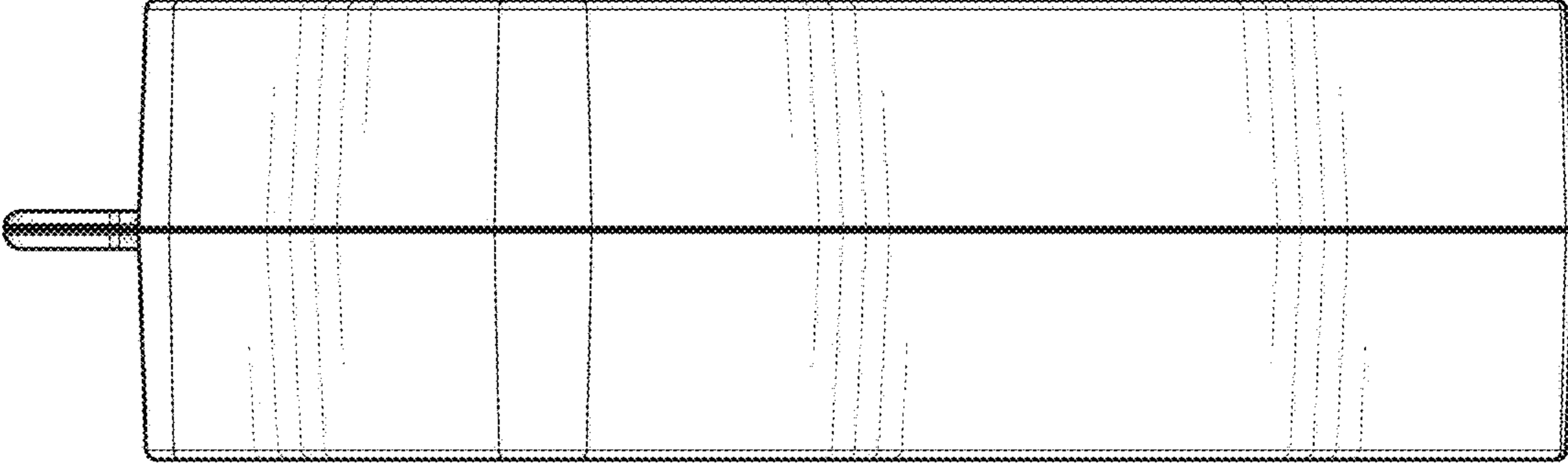


FIG. 5

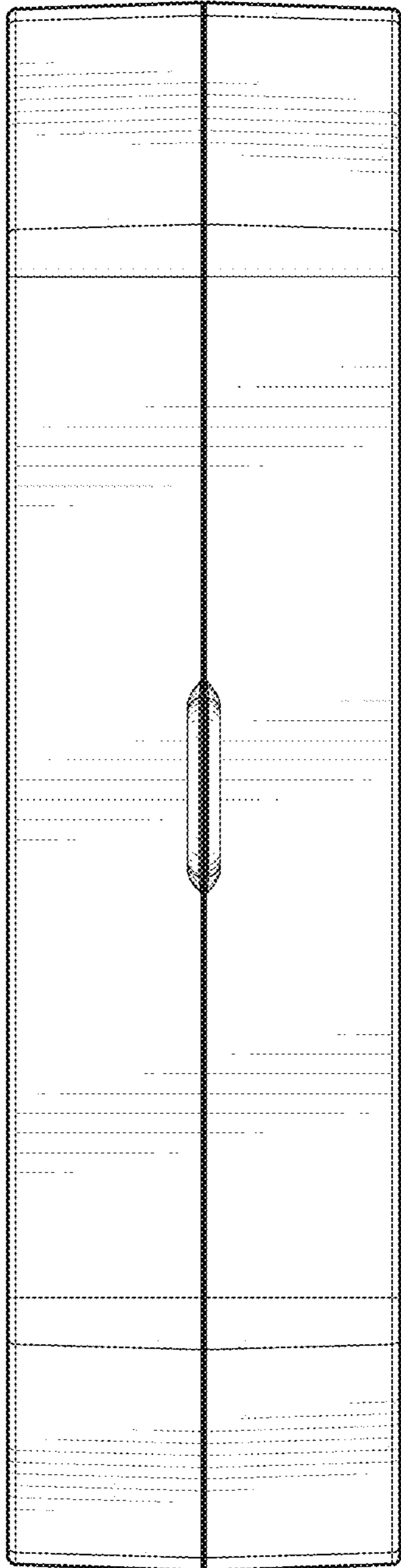


FIG. 7

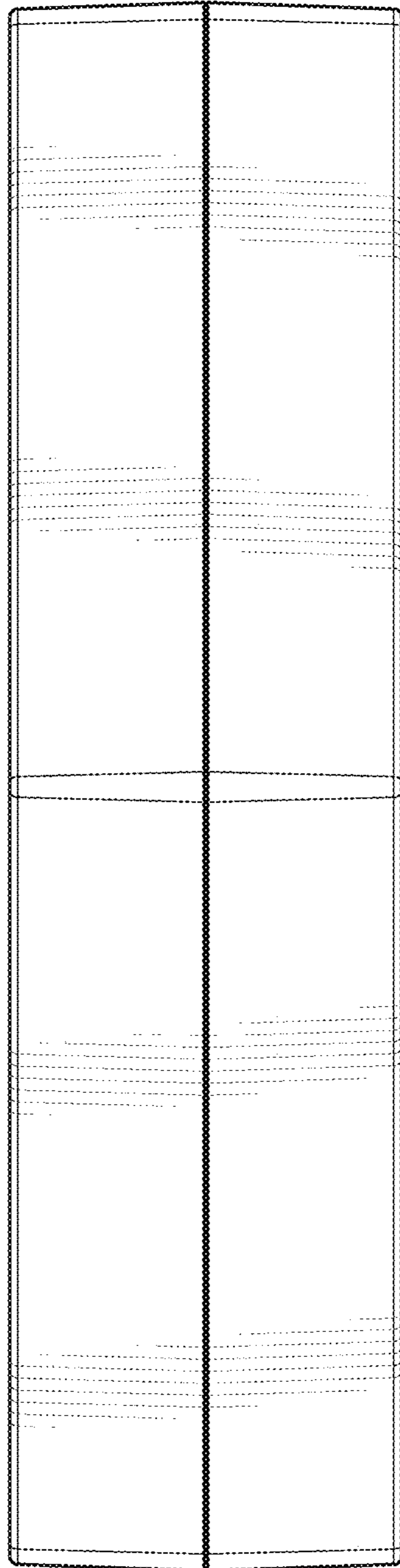


FIG. 8