



US00D964160S

(12) **United States Design Patent**
Mahoney

(10) **Patent No.:** **US D964,160 S**

(45) **Date of Patent:** **** Sep. 20, 2022**

(54) **FOOD CONTAINER**

(71) Applicant: **Landmark News Group Incorporated**,
Lexington, MA (US)

(72) Inventor: **John James Mahoney**, Lexington, MA
(US)

(73) Assignee: **Landmark News Group Incorporated**,
Lexington, MA (US)

(**) Term: **15 Years**

(21) Appl. No.: **29/754,659**

(22) Filed: **Oct. 13, 2020**

(51) **LOC (13) Cl.** **09-03**

(52) **U.S. Cl.**
USPC **D9/420**

(58) **Field of Classification Search**
USPC D9/420, 721, 715, 414-419, 430-433,
D9/733, 797; D21/563, 392; D28/78
CPC B65D 5/3642; B65D 83/0882; B65D
5/0245; B65D 5/16; B65D 5/28; B65D
85/67; B65D 83/0847; A45C 11/24;
B65H 35/0006; B65H 35/002; B26D
7/20; B26D 1/045

See application file for complete search history.

(56) **References Cited**

U.S. PATENT DOCUMENTS

- 1,827,000 A * 10/1931 Duffin A45C 11/24
225/53
- 1,892,714 A * 1/1933 Wellman B65D 5/28
229/109
- D128,642 S * 8/1941 Preis D9/416
- 2,314,631 A * 3/1943 Ray B65D 5/16
229/242
- 2,468,123 A * 4/1949 Shina B65D 5/0245
229/109
- 2,507,403 A * 5/1950 Gluck B65D 83/0882
225/41

- 2,659,525 A * 11/1953 Wikstrom B65D 85/67
229/110
- 3,128,025 A * 4/1964 Buttery B65D 83/0882
225/48
- RE25,876 E * 10/1965 Buttery B65H 35/0006
229/175
- 3,467,298 A * 9/1969 Wysocki B65D 5/3642
229/110
- 3,948,455 A * 4/1976 Schwartz B65D 83/0847
206/394
- 4,197,774 A * 4/1980 Singh B26D 1/045
83/614

(Continued)

Primary Examiner — Rhea Shields

(74) *Attorney, Agent, or Firm* — Barlow, Josephs &
Holmes, Ltd.; David R. Josephs

(57) **CLAIM**

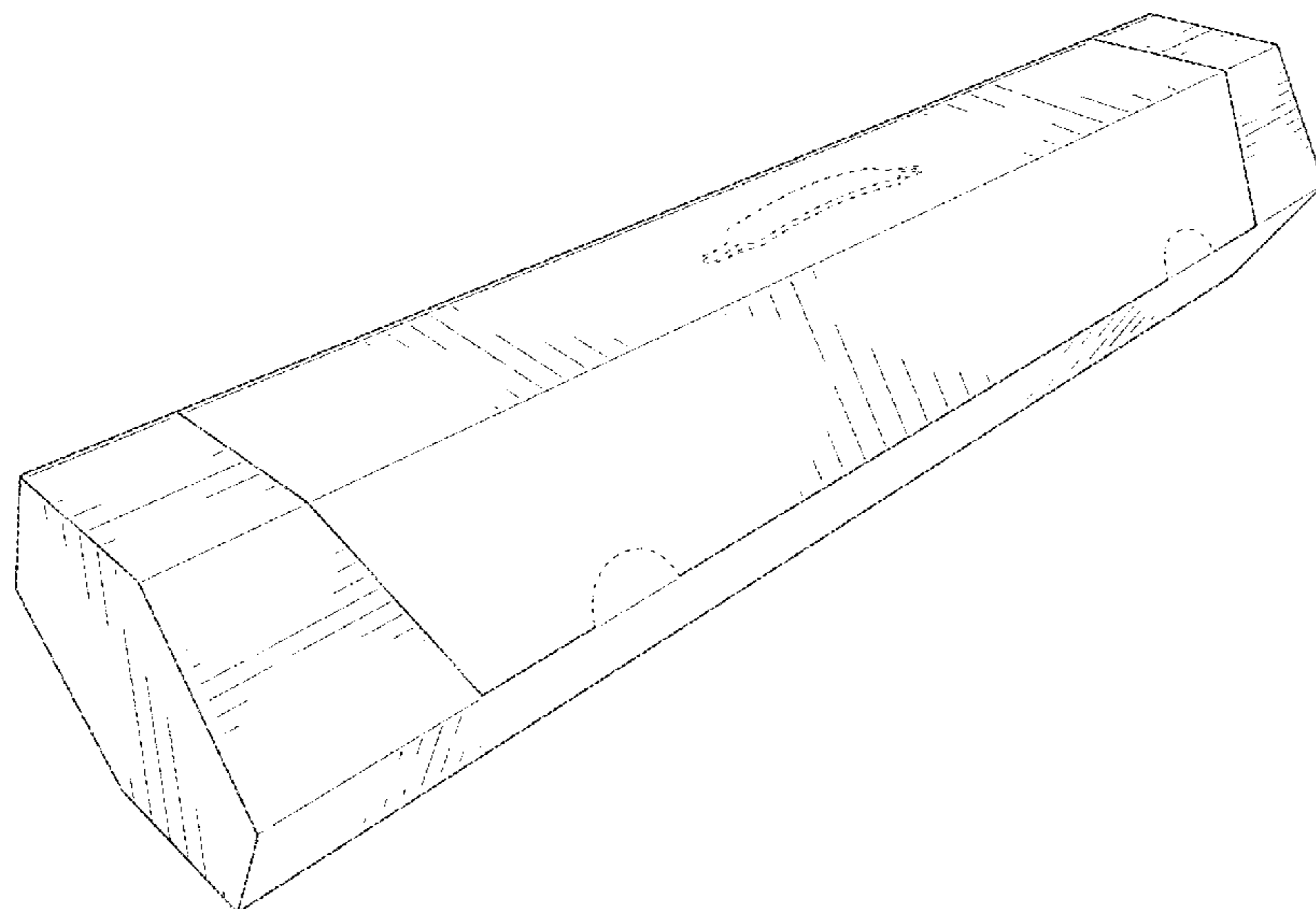
The ornamental design for a food container, as shown and described.

DESCRIPTION

FIG. 1 is a left front perspective view of a food container in accordance with the present design in a closed condition; FIG. 2 is a front view of FIG. 1; FIG. 3 is a rear view of FIG. 1; FIG. 4 is a left side view of FIG. 1; FIG. 5 is a right side view of FIG. 1; FIG. 6 is a top view of FIG. 1; FIG. 7 is a bottom of FIG. 1; and, FIG. 8 is a front perspective view of the food container in accordance with the present design of FIG. 1 in an open condition.

In the drawings, the broken lines are for the purpose of illustrating portions of the clamshell packaging container that form no part of the claimed design. In FIG. 8 the broken lines also show environment that form no part of the claimed design.

1 Claim, 5 Drawing Sheets



(56)

References Cited

U.S. PATENT DOCUMENTS

4,245,536 A * 1/1981 Urion B26D 7/20
83/649
4,465,215 A * 8/1984 Kai B65D 83/0882
225/48
5,941,476 A * 8/1999 Copass B65H 35/002
206/397
D502,646 S * 3/2005 Postulka D9/430
D529,819 S * 10/2006 Jackson D9/733
D542,316 S * 5/2007 Jackson D9/733
D543,842 S * 6/2007 Jackson D9/420
D544,342 S * 6/2007 Liebe D28/78
D547,645 S * 7/2007 Sainz D9/420
D564,036 S * 3/2008 Ungania D21/392
D588,452 S * 3/2009 Rotta D9/721
D594,513 S * 6/2009 Wilner D21/563
D640,133 S * 6/2011 Jones D9/430
D683,214 S * 5/2013 McAdam D9/433
D684,463 S * 6/2013 Elfstrum D9/430
D700,068 S * 2/2014 Krankkala D9/715
D700,837 S * 3/2014 Antal, Sr. D9/419
D717,163 S * 11/2014 Paulsen D9/431
D808,638 S * 1/2018 Weng D3/203.3
D824,250 S * 7/2018 Struggl D9/430
D849,530 S * 5/2019 Fremgen D9/737
D873,659 S * 1/2020 Vegliante D9/432
D909,888 S * 2/2021 Huang D9/721
D913,088 S * 3/2021 McGrath D9/420

* cited by examiner

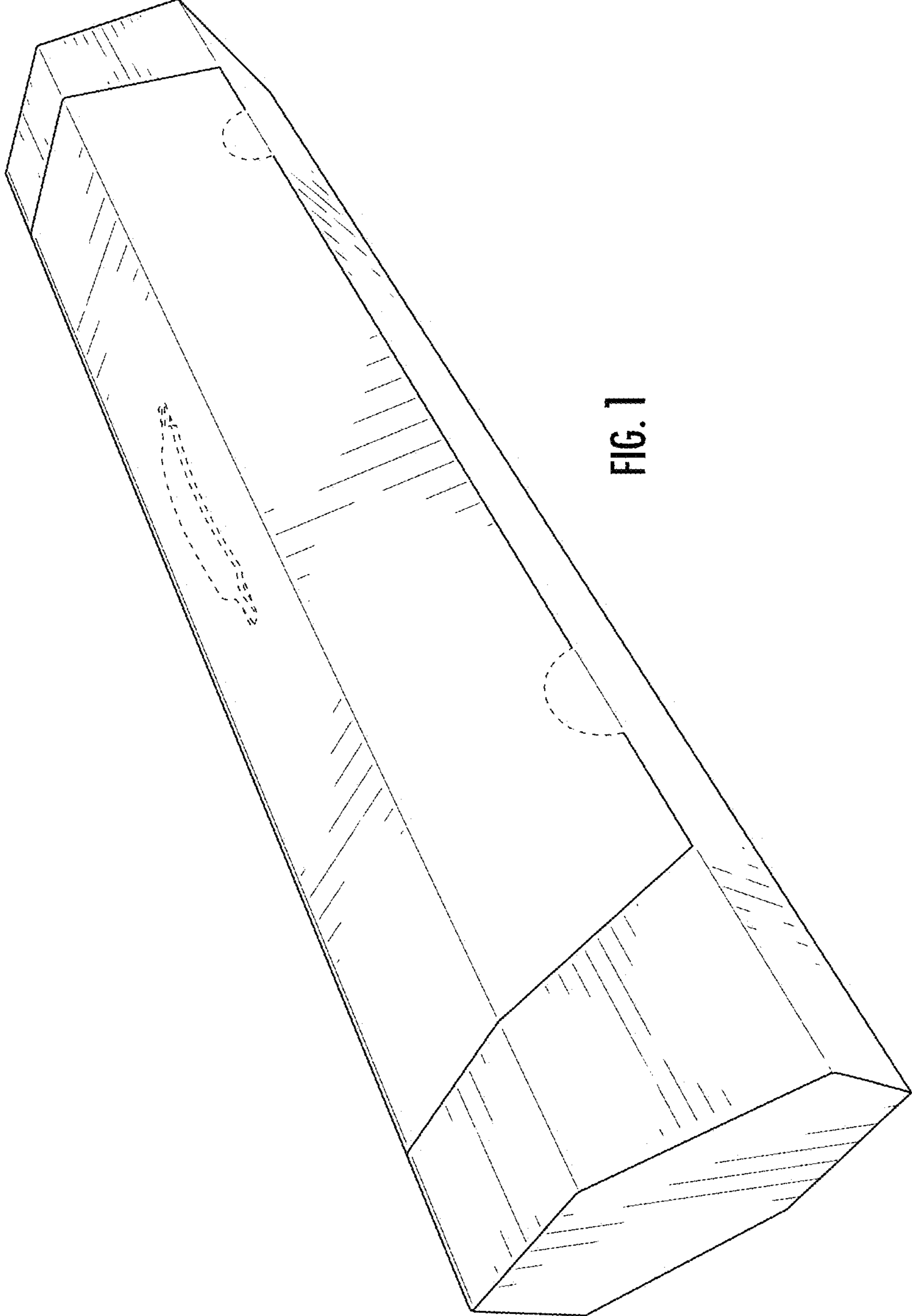


FIG. 1

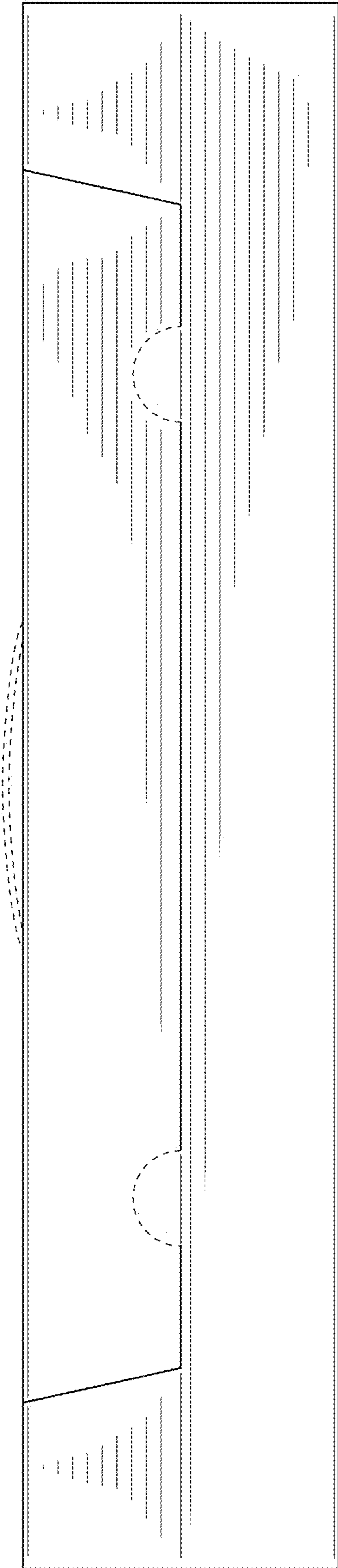


FIG. 2

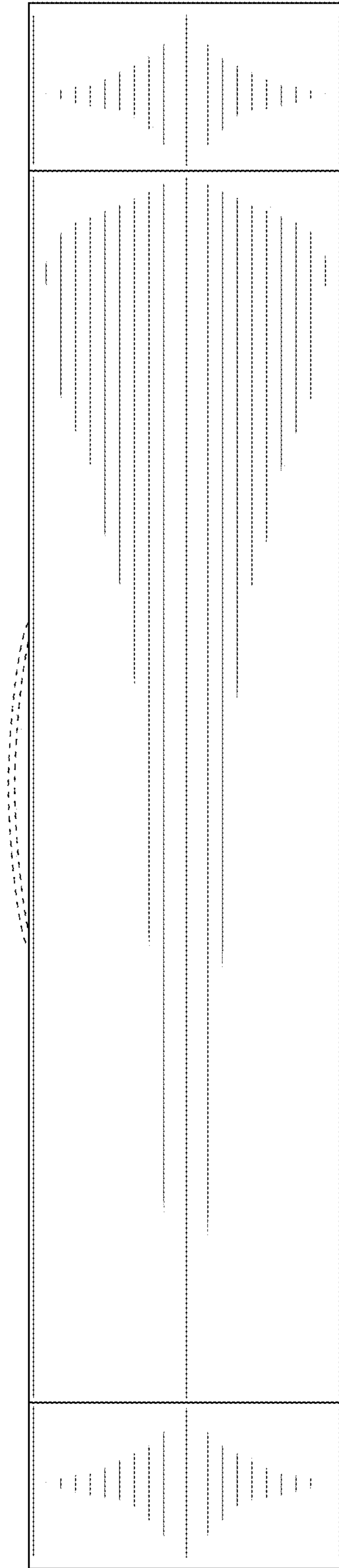


FIG. 3

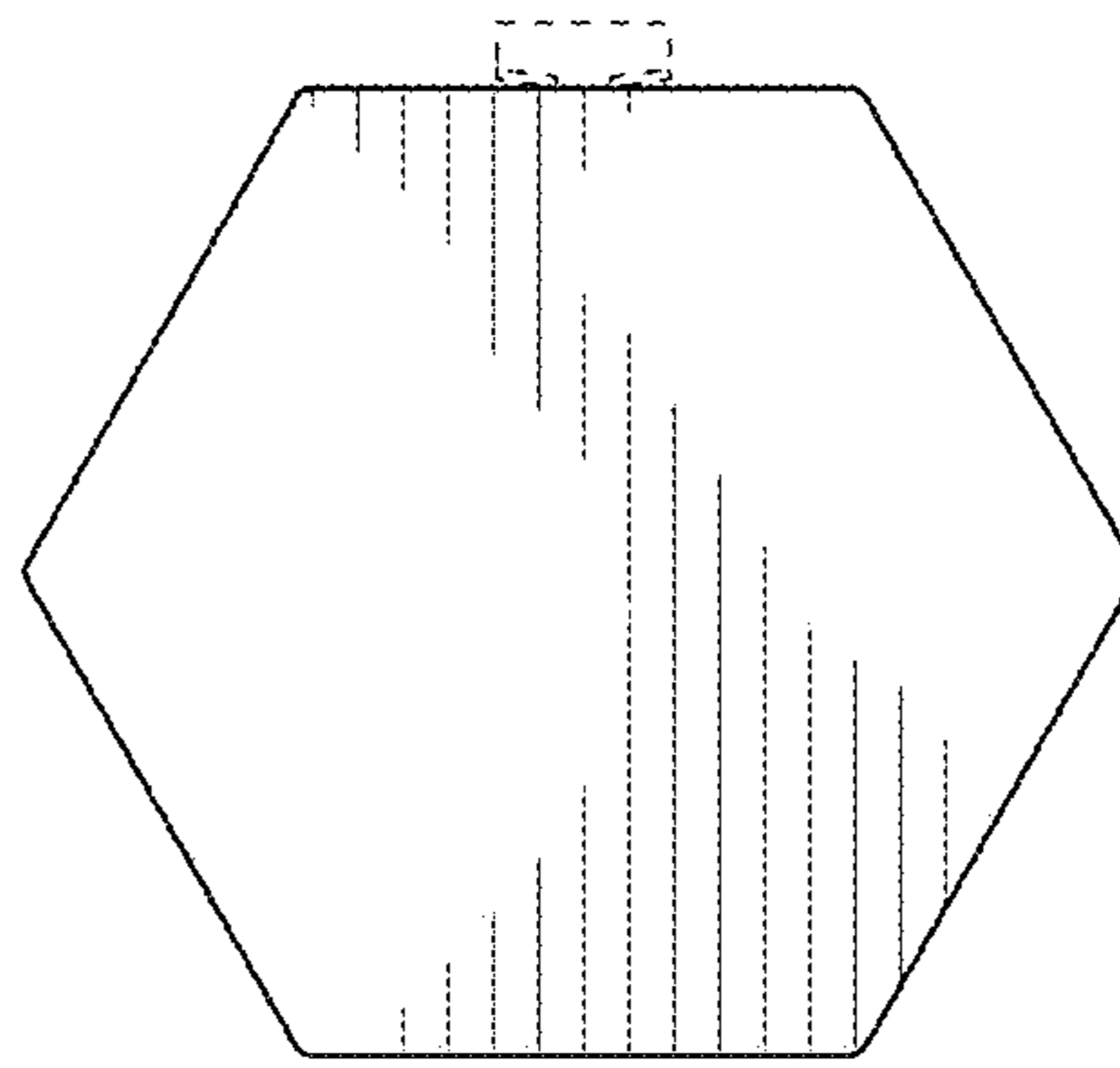


FIG. 4

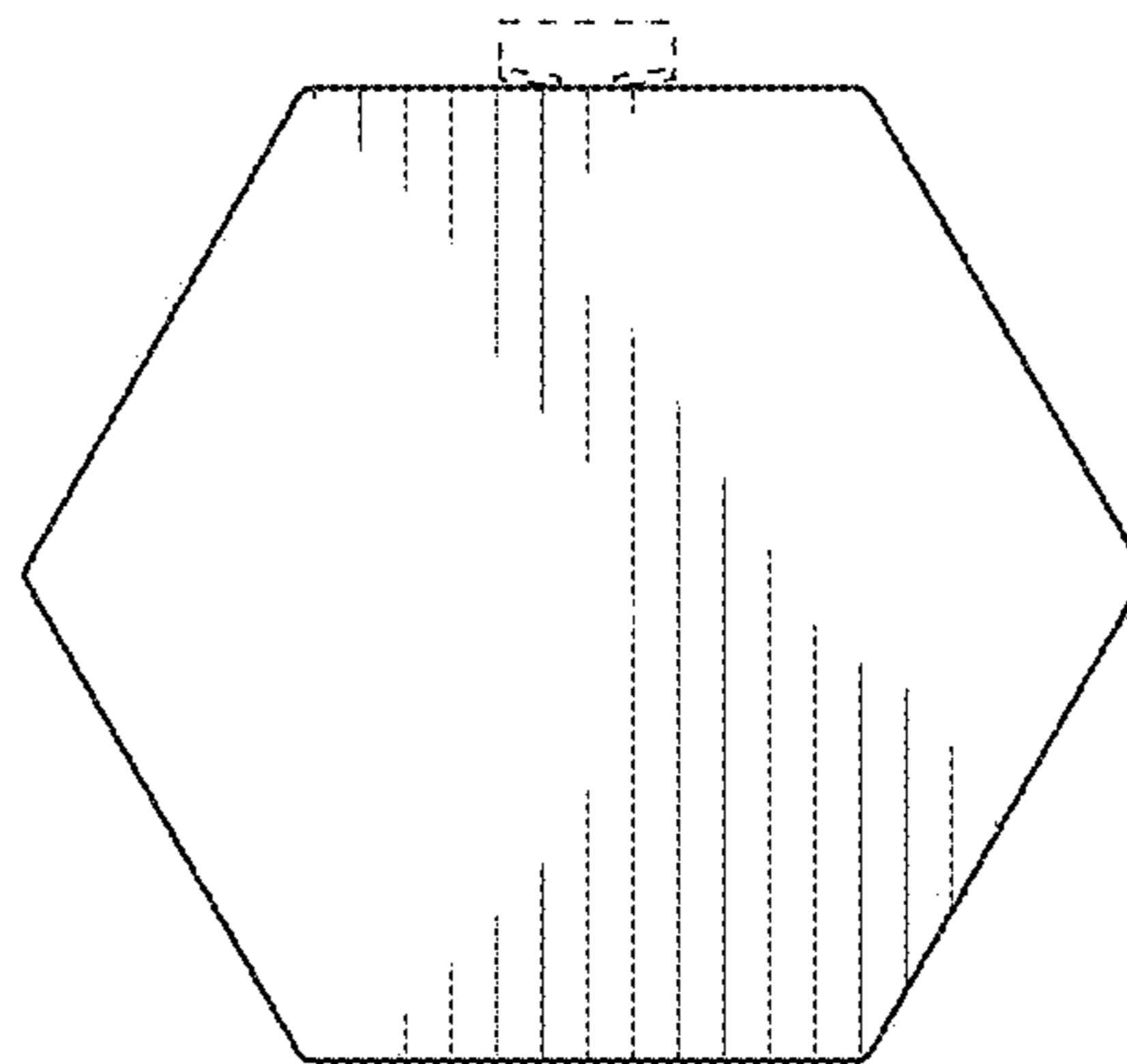


FIG. 5

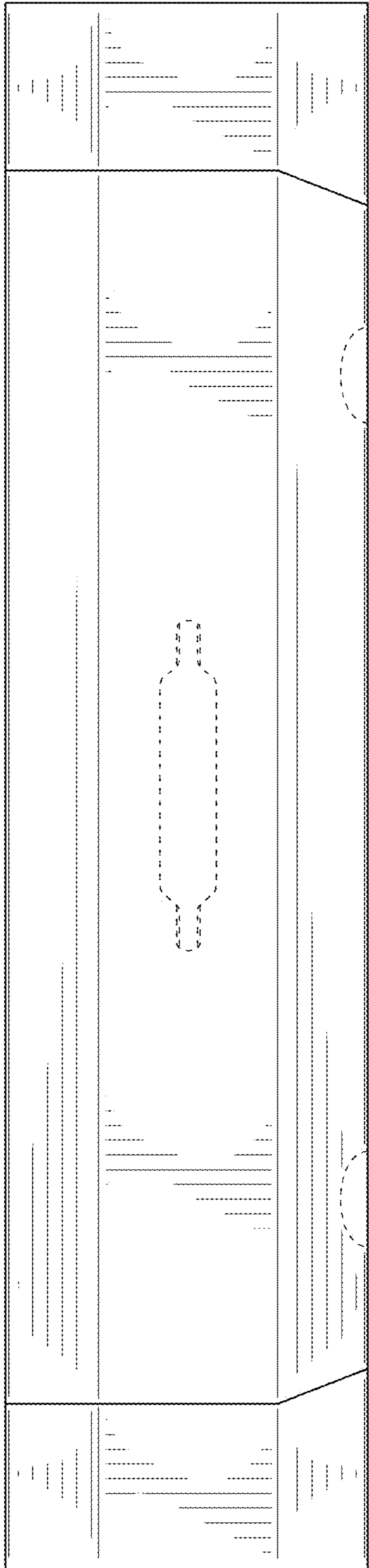


FIG. 6

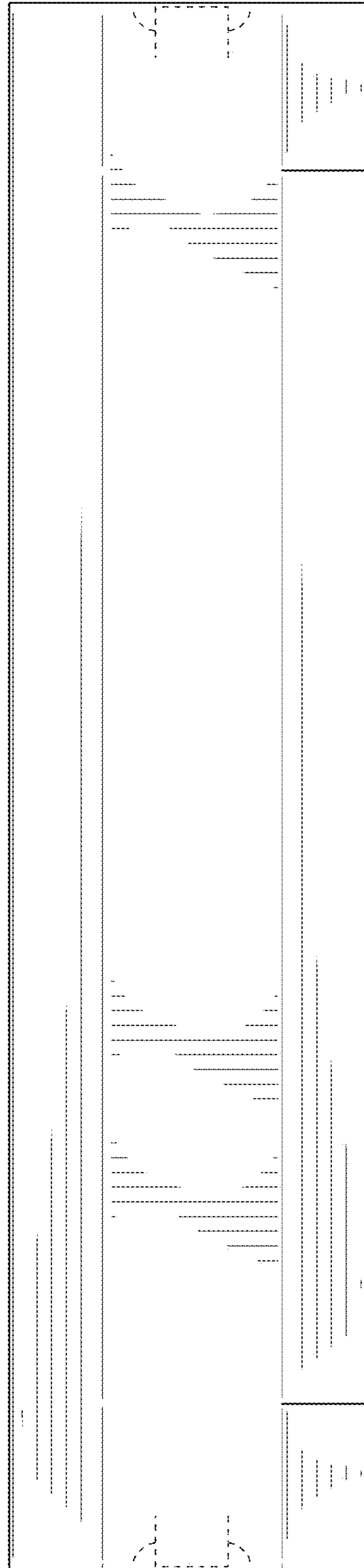


FIG. 7

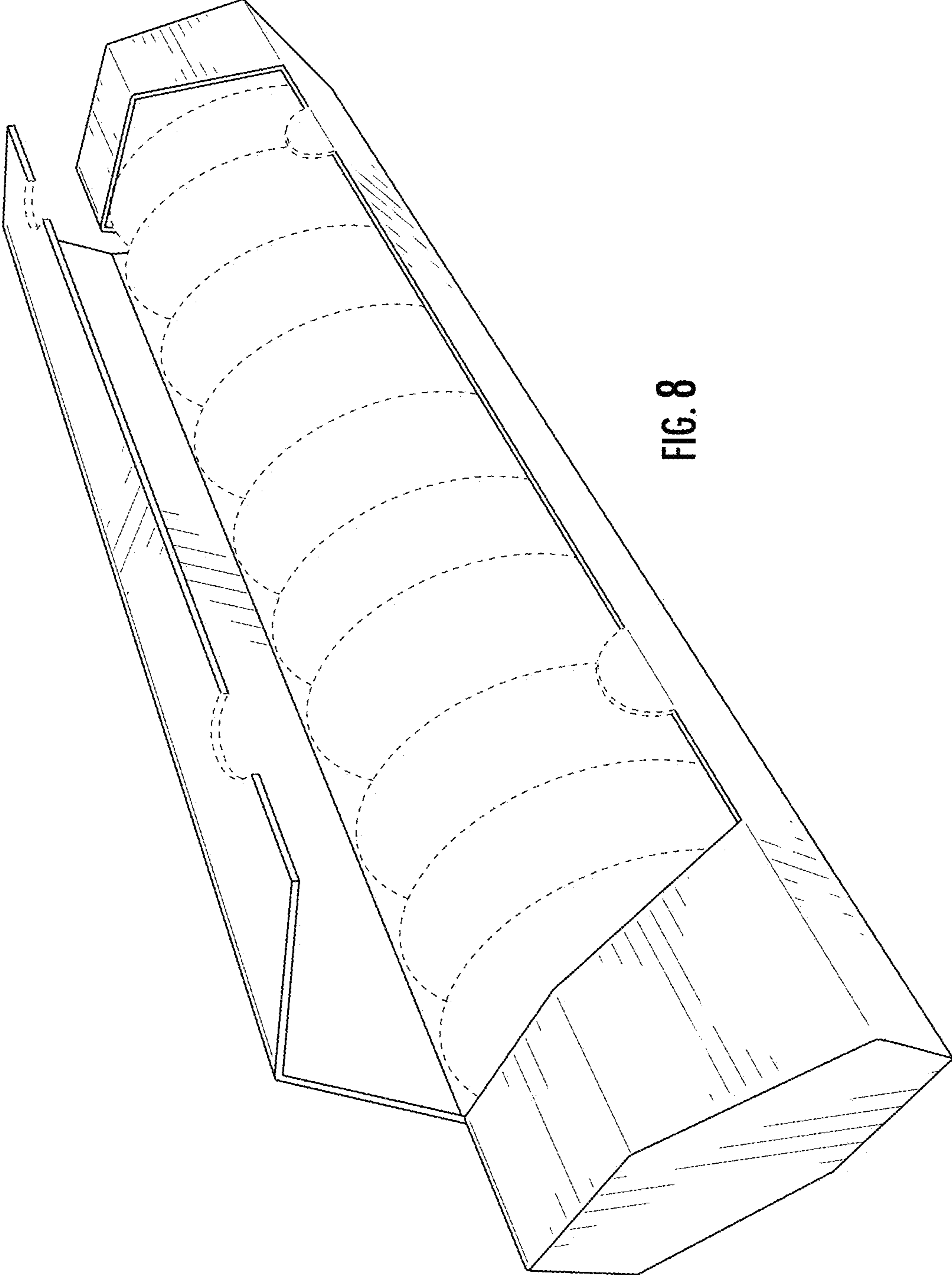


FIG. 8