



US00D964157S

(12) **United States Design Patent**  
**Mathias**

(10) **Patent No.:** **US D964,157 S**

(45) **Date of Patent:** **\*\* Sep. 20, 2022**

(54) **CORNER SEAL**

(71) Applicant: **Uni-Grip, Inc.**, Upper Sandusky, OH  
(US)

(72) Inventor: **Andrew Mathias**, Upper Sandusky, OH  
(US)

(73) Assignee: **Uni-Grip, Inc.**, Upper Sandusky, OH  
(US)

(\*\*) Term: **15 Years**

(21) Appl. No.: **29/769,247**

(22) Filed: **Feb. 4, 2021**

(51) **LOC (13) Cl.** ..... **08-09**

(52) **U.S. Cl.**  
USPC ..... **D8/403**

(58) **Field of Classification Search**  
USPC ..... D8/344, 396, 403, 493, 499  
CPC .. B60J 10/21; B60J 10/24; B60J 10/80; B60P  
3/34

See application file for complete search history.

(56) **References Cited**

**U.S. PATENT DOCUMENTS**

1,823,647	A *	9/1931	Duffy	.....	B62D 25/12 180/69.23
2,582,736	A *	1/1952	Altieri	.....	B26B 17/00 30/178
3,041,775	A *	7/1962	Brown, Jr.	.....	A47B 13/083 217/69
D260,590	S *	9/1981	Hobson	.....	D8/403
4,716,683	A *	1/1988	Minter	.....	E06B 7/2316 49/489.1
D346,957	S *	5/1994	Savic	.....	D8/403
D356,946	S *	4/1995	Rekuc	.....	D8/403
D365,273	S *	12/1995	Indekeu	.....	D9/434
D394,802	S *	6/1998	Brandes	.....	D8/403
5,864,906	A *	2/1999	Pacelli	.....	A47C 19/02 5/663

5,878,455	A *	3/1999	Patterson	.....	A47C 19/02 5/663
5,972,268	A *	10/1999	Nakajima	.....	B29C 53/02 264/261
6,395,355	B1 *	5/2002	Nakajima	.....	B60J 10/80 428/34.1
6,527,278	B1 *	3/2003	Norris	.....	B60J 10/21 403/231
6,598,347	B2 *	7/2003	Hattori	.....	B60J 10/80 49/479.1

(Continued)

**OTHER PUBLICATIONS**

“Camco 42193 White Slide-Out Corner Guard”, Jul. 1, 2004, Amazon.com, site visited Jun. 17, 2022: <https://www.amazon.com/Camco-42193-White-Slide-Out-Corner/dp/B000PD70KU> (Year: 2004).\*

(Continued)

*Primary Examiner* — Jack Reickel  
*Assistant Examiner* — Michael A Kervin  
(74) *Attorney, Agent, or Firm* — Lorraine Hernandez;  
Kegler Brown Hill + Ritter Co., LPA

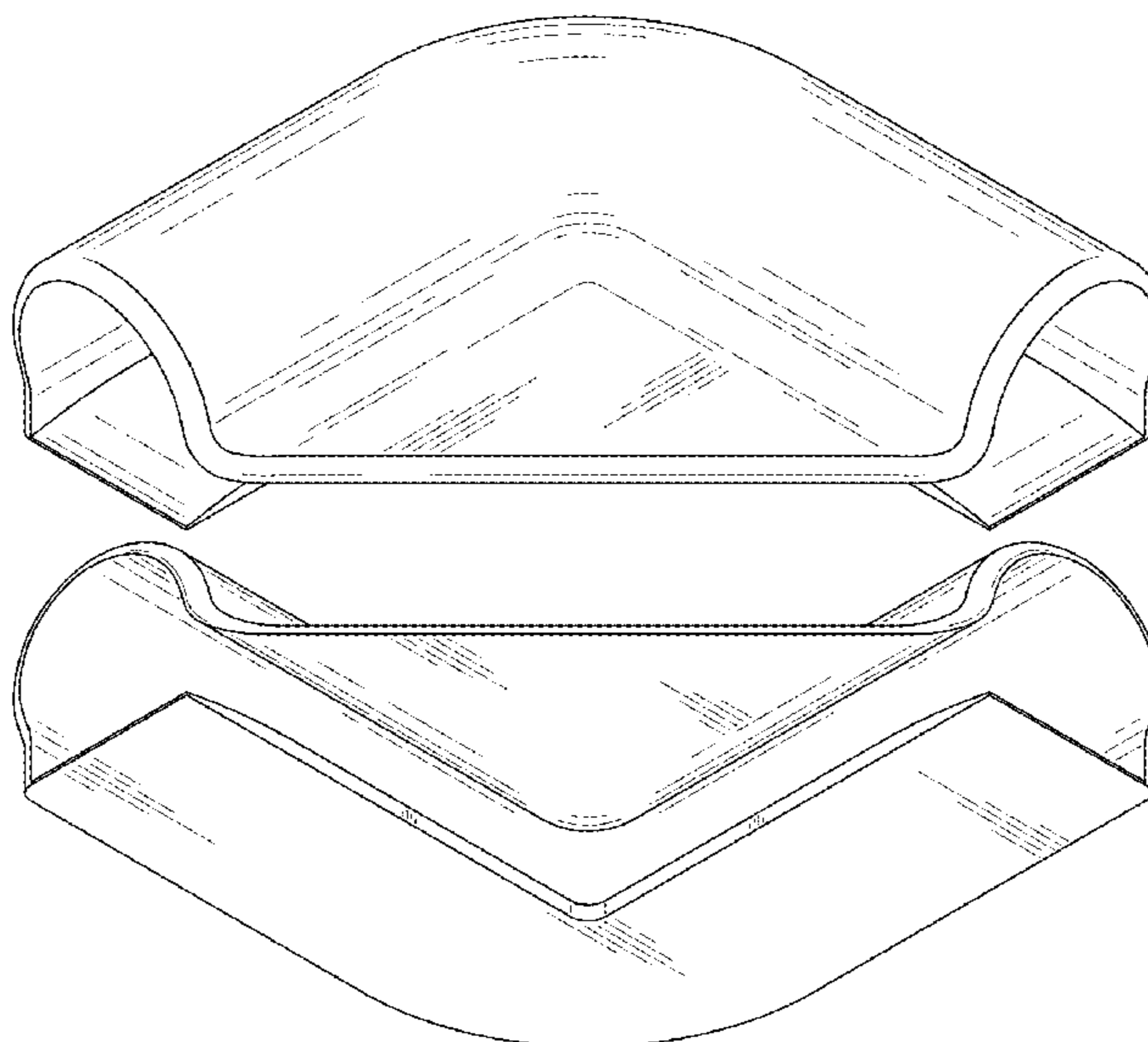
(57) **CLAIM**

The ornamental design for a corner seal, as shown and described.

**DESCRIPTION**

FIG. 1 is a top front perspective view of a corner seal; FIG. 2 is a bottom front perspective view thereof; FIG. 3 is a top rear perspective view thereof; FIG. 4 is a bottom rear perspective view thereof; FIG. 5 is a front view thereof; FIG. 6 is a rear view thereof; FIG. 7 is a left view thereof; FIG. 8 is a right view thereof; FIG. 9 is a top view thereof; and, FIG. 10 is a bottom view thereof.

**1 Claim, 8 Drawing Sheets**



(56)

**References Cited**

## U.S. PATENT DOCUMENTS

D537,337 S \* 2/2007 Brockington ..... D8/499  
D560,486 S \* 1/2008 Ray ..... D8/403  
D635,166 S \* 3/2011 Malmberg ..... D15/147  
8,408,625 B1 \* 4/2013 Ksiezopolski ..... B60J 10/00  
296/171  
9,180,825 B1 \* 11/2015 Jones ..... B60R 13/043  
10,336,169 B2 \* 7/2019 Kanphade ..... B60J 10/18  
11,287,044 B1 \* 3/2022 Maloney ..... B60P 3/34  
D952,345 S \* 5/2022 Bloom ..... D3/318  
2009/0250367 A1 \* 10/2009 Murdoch ..... B65D 81/057  
206/453  
2012/0068586 A1 \* 3/2012 Chen ..... H04Q 1/09  
312/223.4  
2016/0176275 A1 \* 6/2016 Ranzau ..... B60J 10/21  
49/479.1

## OTHER PUBLICATIONS

“Rubber Seal Corner”, Jan. 31, 2019, RubberConcept.com, site visited Jun. 17, 2022: <https://web.archive.org/web/20190131104506/http://www.rubberconcept.com/dam-gate-rubber-seal-corners-manufacturer.php> (Year: 2019).\*

“Rubber Corners & Ends”, Apr. 26, 2019, eastragon.com, site visited Jun. 17, 2022: <https://web.archive.org/web/20190426033332/https://www.eastragon.com/home/hatch-cover-system/> (Year: 2019).\*

“Flat Outside Bulb 90 Degree Corner”, Dec. 3, 2020, HannaRubberCompany.com, site visited Jun. 17, 2022: <https://web.archive.org/web/20201203231225/https://hannarubbercompany.com/construction-and-building-products/rubber-gate-seals/bulb-and-tail/flat-outside-bulb-90-degree-corner/> (Year: 2020).\*

\* cited by examiner

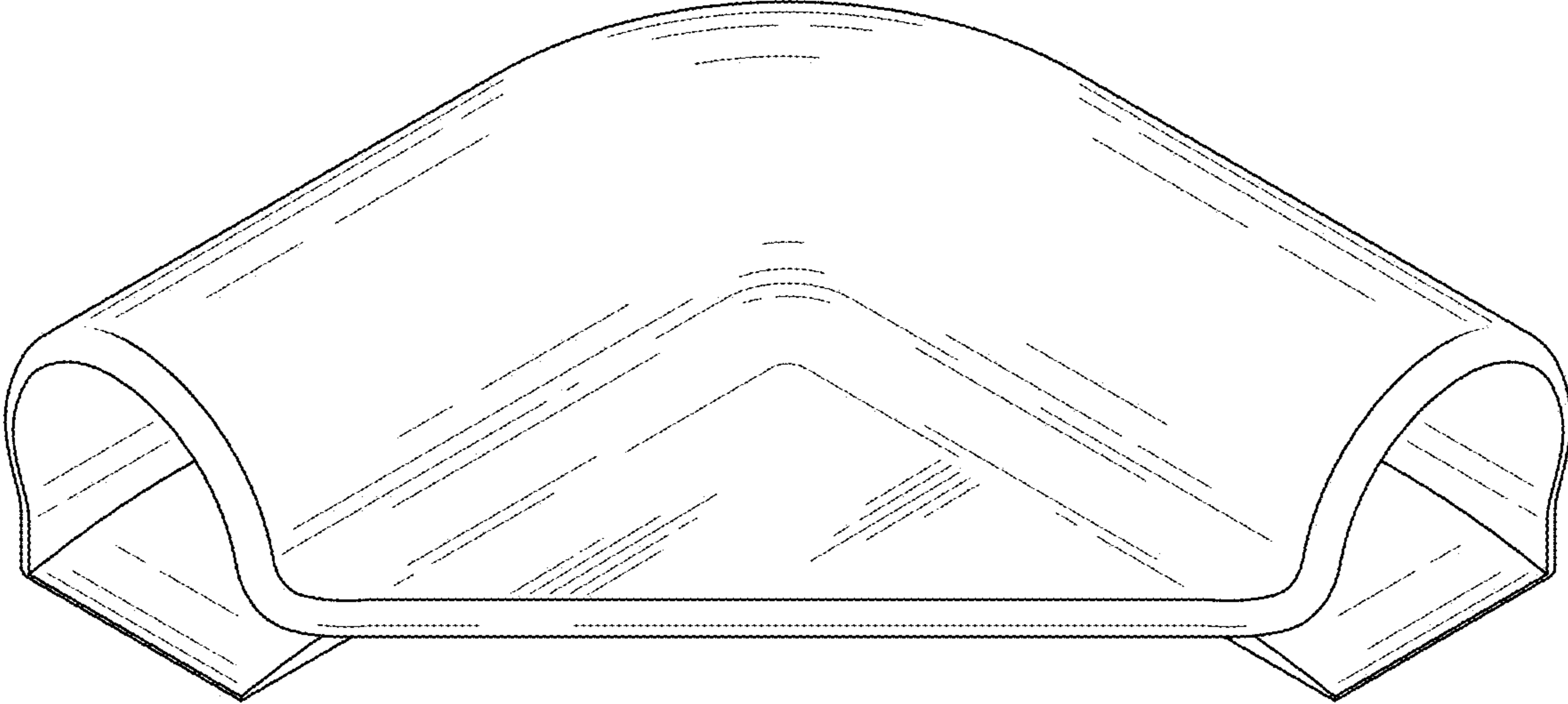


FIG. 1

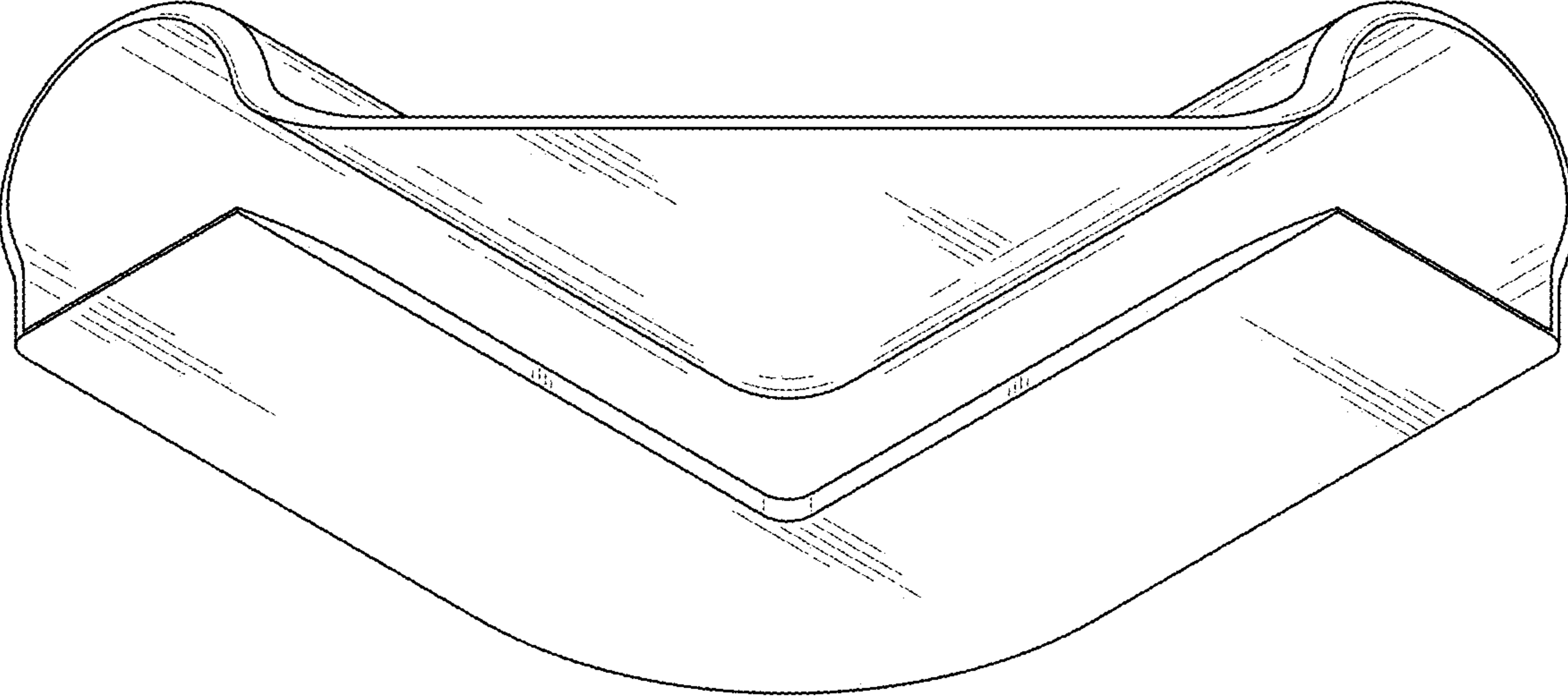


FIG. 2

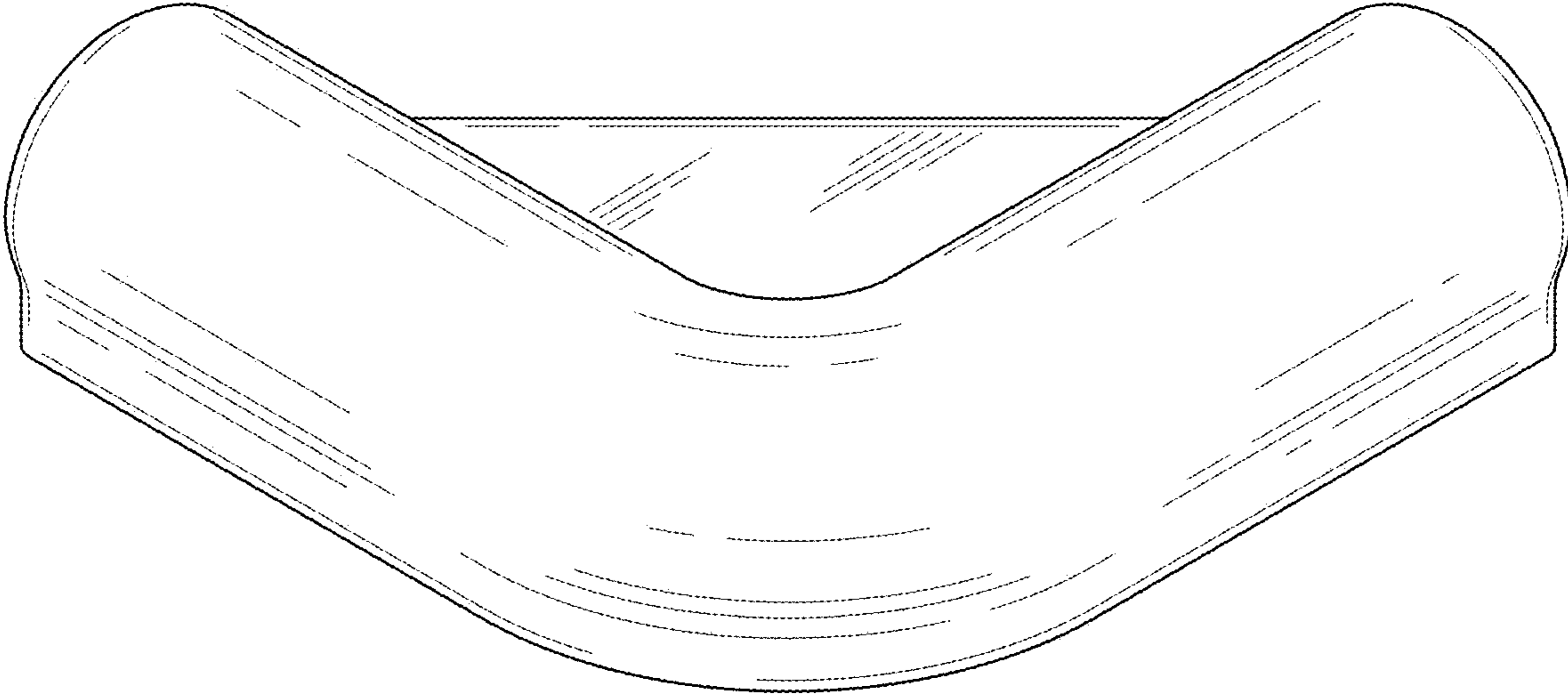


FIG. 3

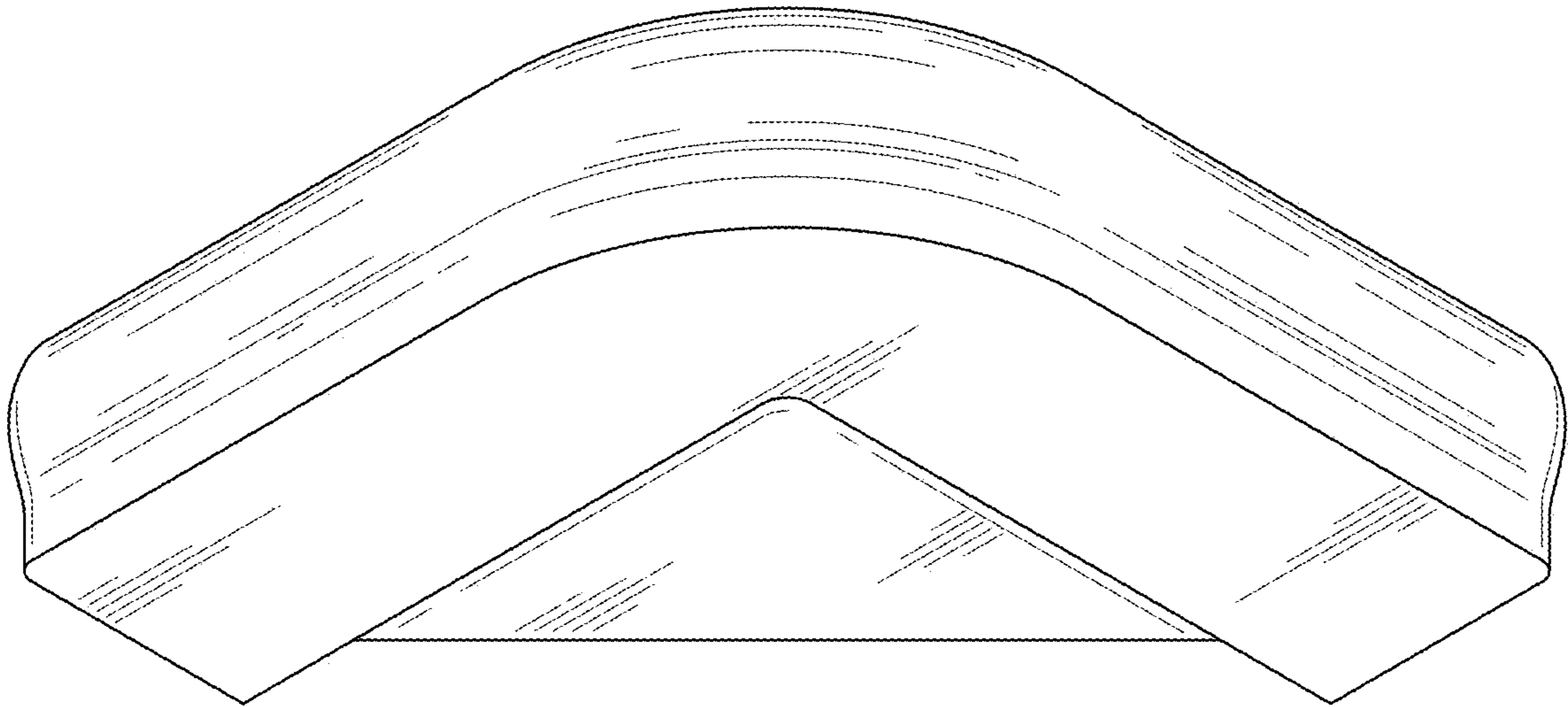


FIG. 4

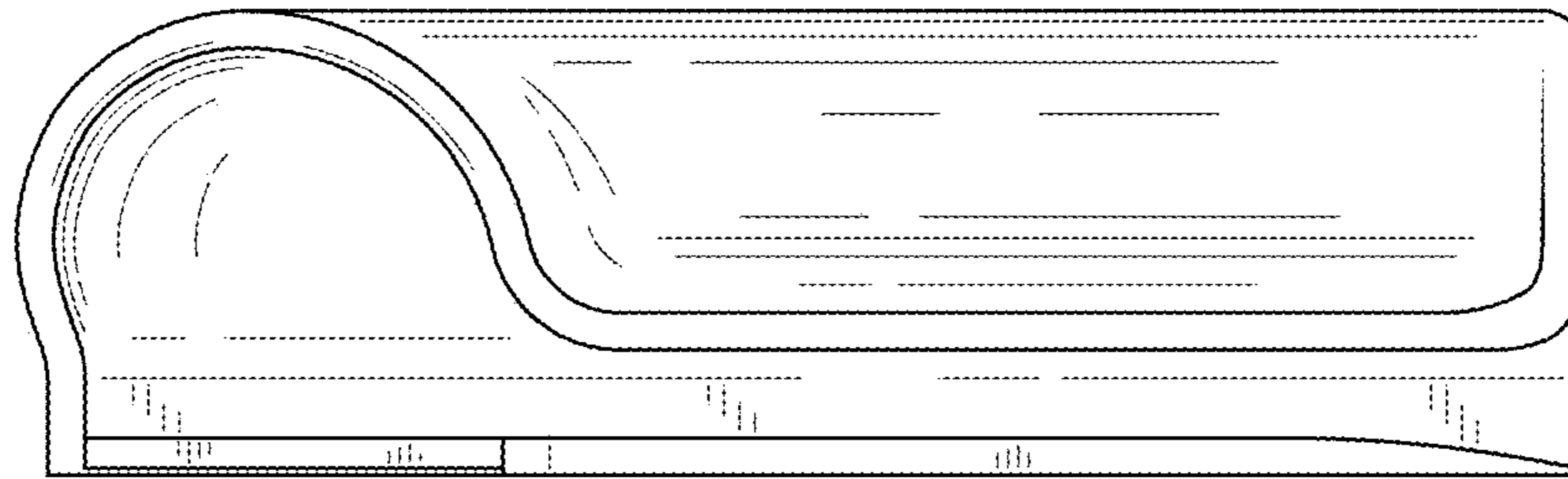


FIG. 5

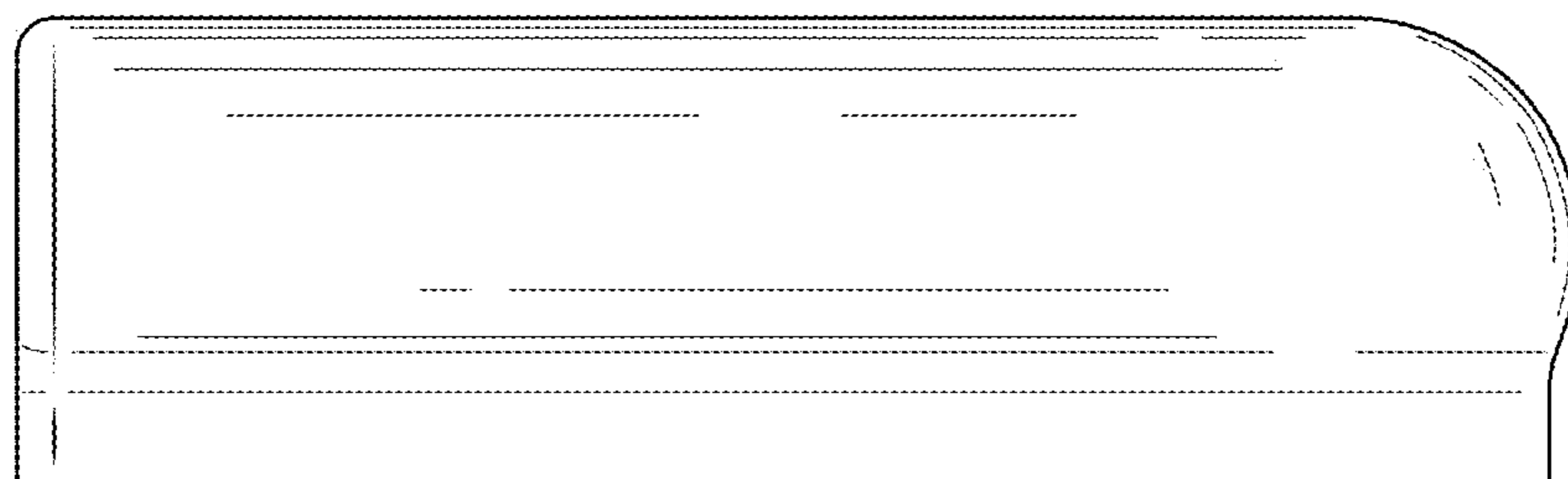


FIG. 6

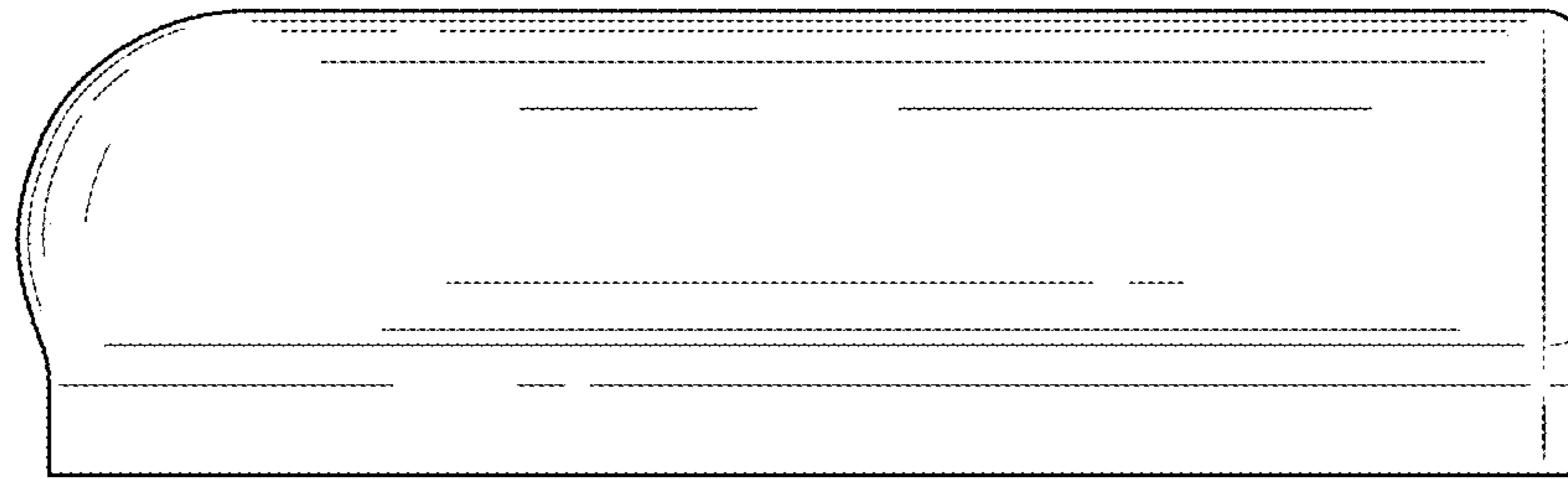


FIG. 7

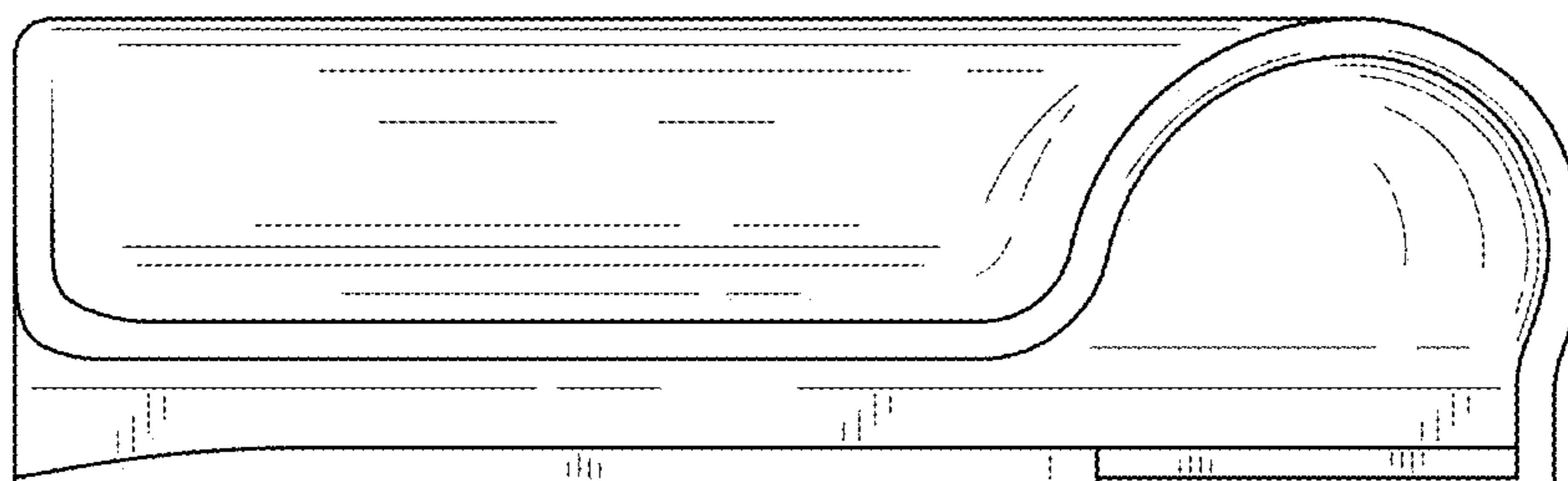


FIG. 8



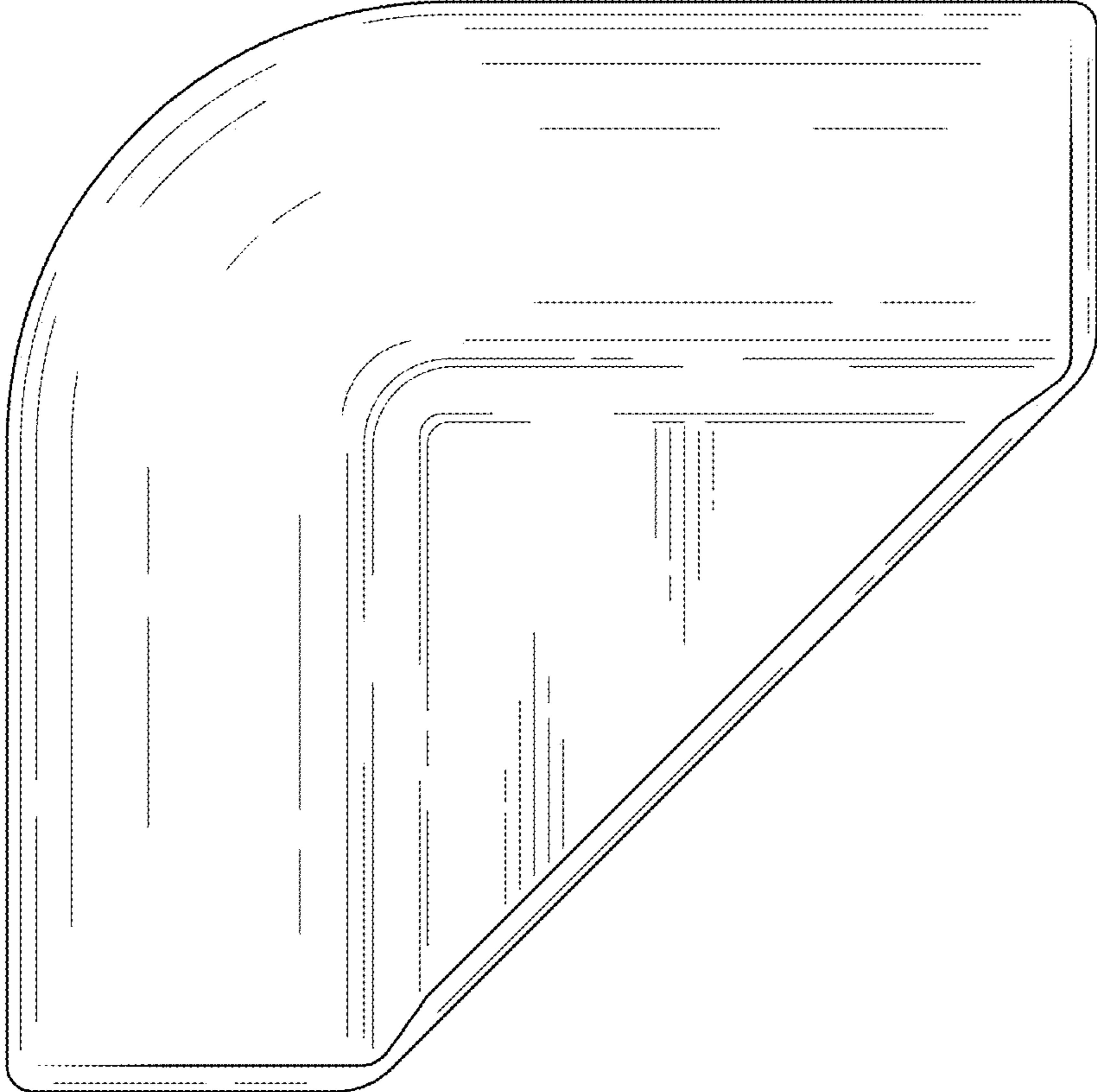


FIG. 9

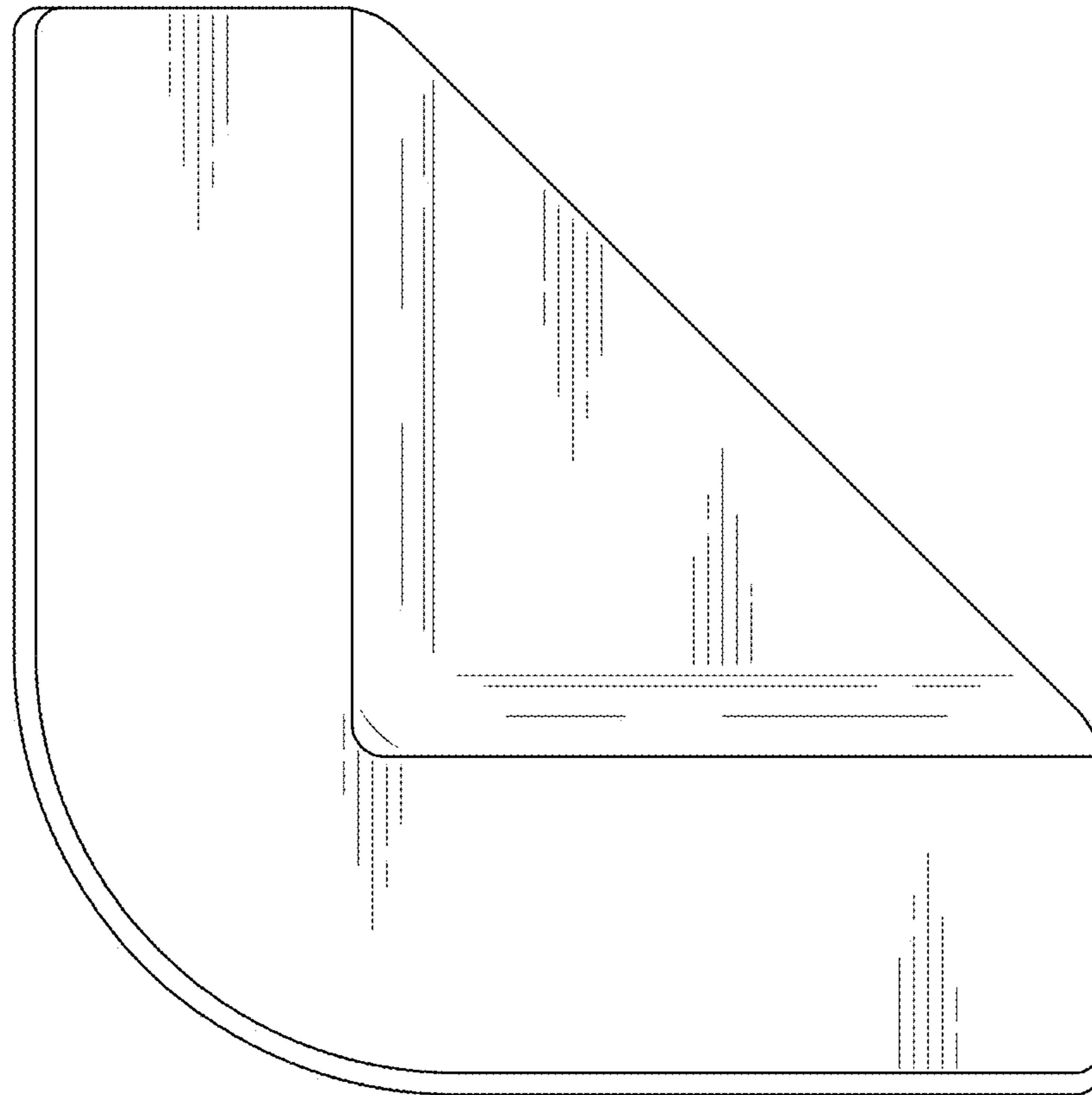


FIG. 10