

US00D964156S

(12) **United States Design Patent** (10) **Patent No.:** **US D964,156 S**
Slocum et al. (45) **Date of Patent:** **** Sep. 20, 2022**

- (54) **TOOL-LESS JOINER CLAMP**
- (71) Applicant: **L3Harris Technologies, Inc.**,
Melbourne, FL (US)
- (72) Inventors: **Daryl B. Slocum**, La Mesa, CA (US);
David F. Charles, Arlington, VA (US);
Douglas L. Veilleux, II, Rochester, MA
(US); **Corey S. Toupin**, Fall River, MA
(US)
- (73) Assignee: **L3HARRIS TECHNOLOGIES, INC.**,
Melbourne, FL (US)
- (**) Term: **15 Years**
- (21) Appl. No.: **29/698,024**
- (22) Filed: **Jul. 12, 2019**
- (51) **LOC (13) Cl.** **08-08**
- (52) **U.S. Cl.**
USPC **D8/396; D23/262**
- (58) **Field of Classification Search**
USPC D8/71, 73, 349, 354, 382, 394, 395, 396,
D8/397, 399; D23/259, 262, 265, 269,
D23/314, 386
CPC . F16L 37/18; F16L 37/16; F16L 37/12; F16L
37/08; F16L 37/00; F16L 23/036; F16L
3/13; F16L 3/1033; B65D 45/34; B65D
45/345; E04B 2/74; H01R 11/11
See application file for complete search history.

- D676,309 S * 2/2013 Bailey D8/354
- D682,662 S * 5/2013 Bailey D8/354
- D703,033 S * 4/2014 Karlsson D8/396
- D721,652 S * 1/2015 Smith D13/129
- D722,966 S * 2/2015 Smith D13/129
- D830,160 S * 10/2018 Kogon D8/396
- 10,274,691 B2 * 4/2019 Janssens E05D 7/1077
- D885,173 S * 5/2020 Magagna D8/396
- D885,877 S * 6/2020 Magagna D8/396

* cited by examiner

Primary Examiner — Sheryl Lane

Assistant Examiner — Ieisha N Price

(74) *Attorney, Agent, or Firm* — Workman Nydegger

(57) **CLAIM**

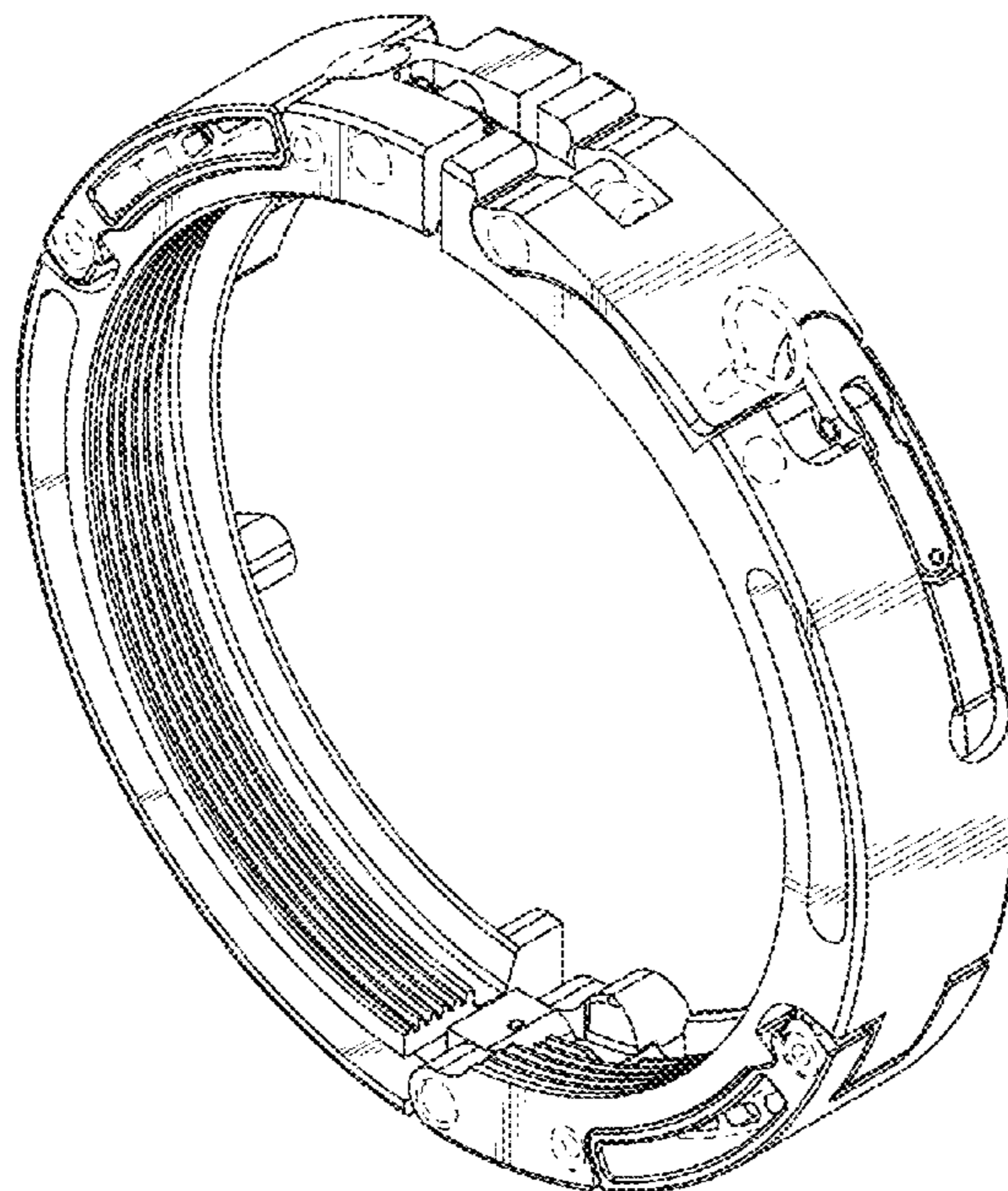
The ornamental design for a tool-less joiner clamp, as shown and described.

DESCRIPTION

FIG. 1 is a top, front, right perspective view of our new design for a tool-less joiner clamp;
 FIG. 2 is a front elevation view thereof;
 FIG. 3 is a rear elevation view thereof;
 FIG. 4 is a top plan view thereof;
 FIG. 5 is a bottom plan view thereof;
 FIG. 6 is a right side elevation view thereof;
 FIG. 7 is a left side elevation view thereof;
 FIG. 8 is a top, rear, left perspective view thereof shown in an exemplary use environment; and,
 FIG. 9 is a top, left perspective view thereof shown in an exemplary use environment.
 The broken lines in the drawings illustrate portions of the tool-less joiner clamp that form no part of the claimed design.

1 Claim, 5 Drawing Sheets

- (56) **References Cited**
U.S. PATENT DOCUMENTS
D142,834 S * 11/1945 Campbell D23/265
D597,635 S * 8/2009 Dole D23/262
D647,394 S * 10/2011 Taylor B65D 45/345
D8/396



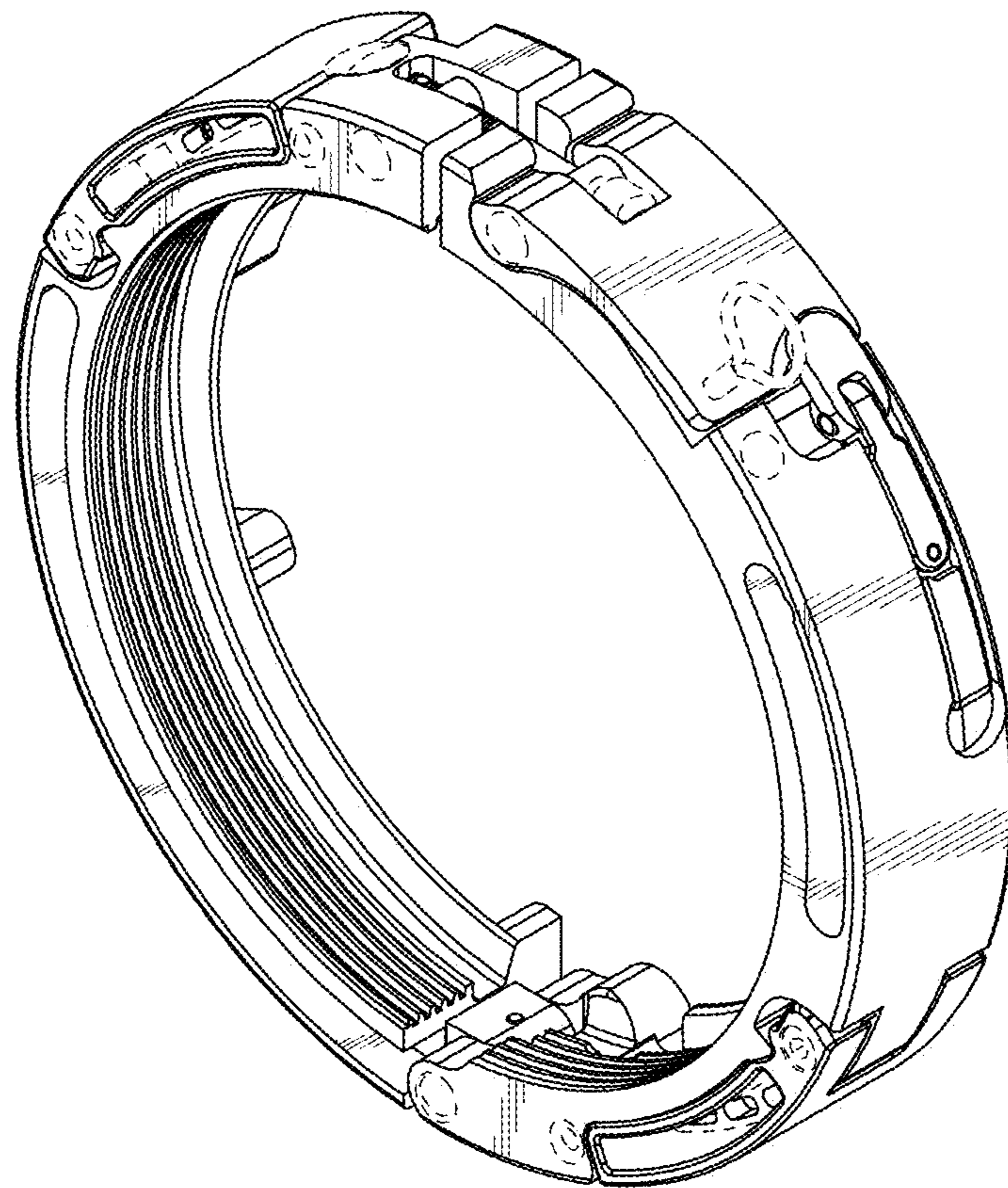


FIG. 1

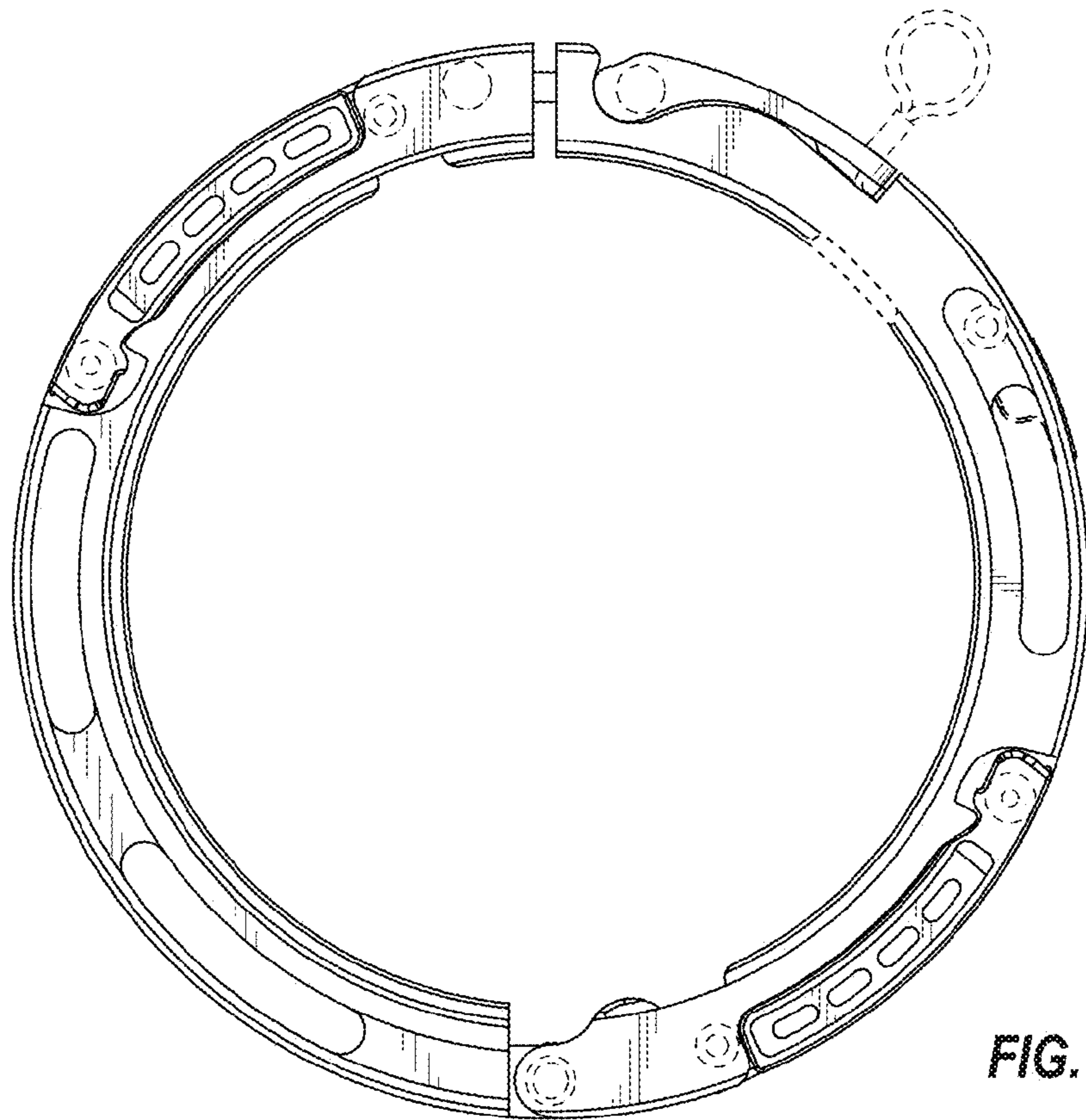


FIG. 2

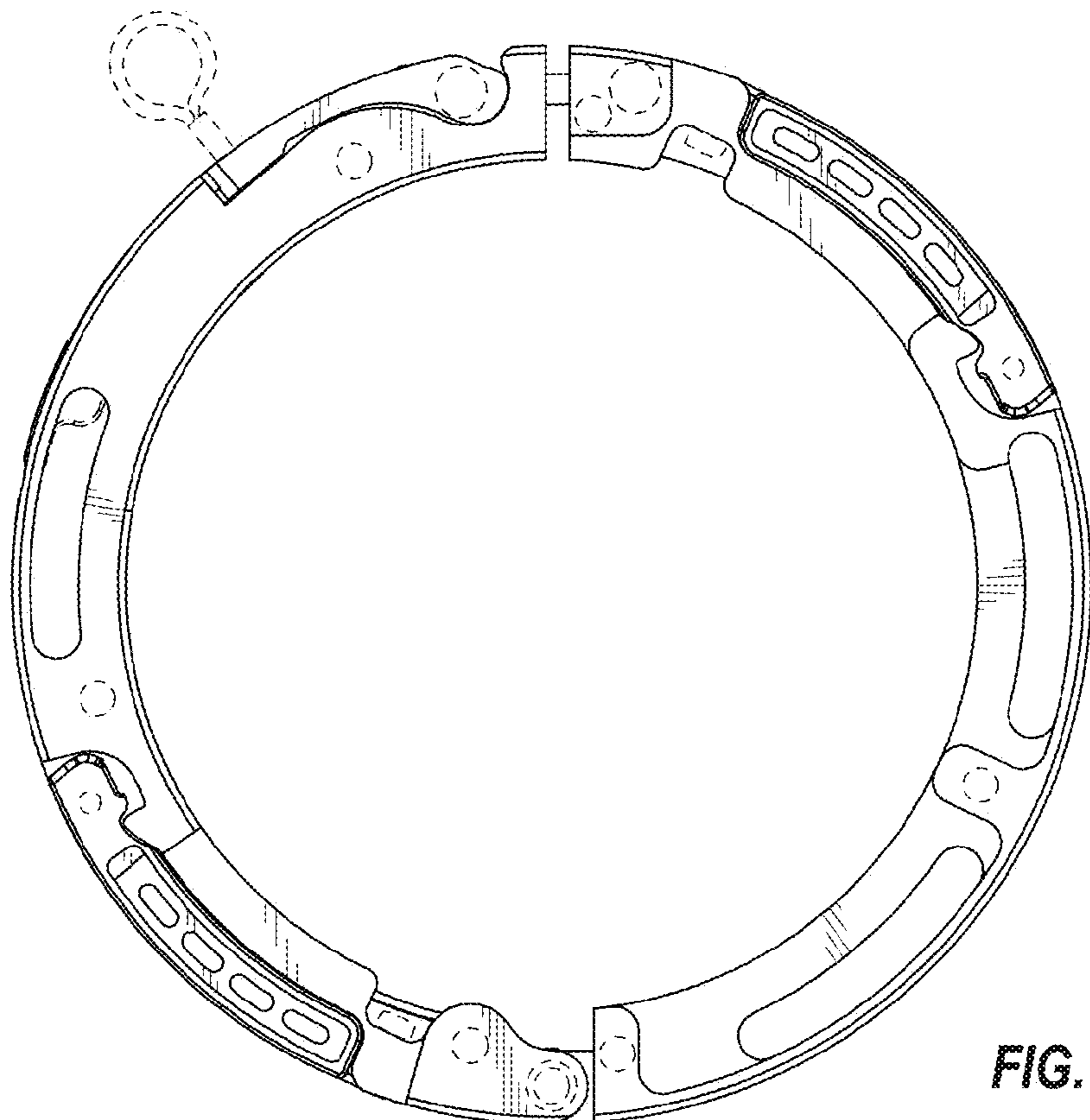


FIG. 3

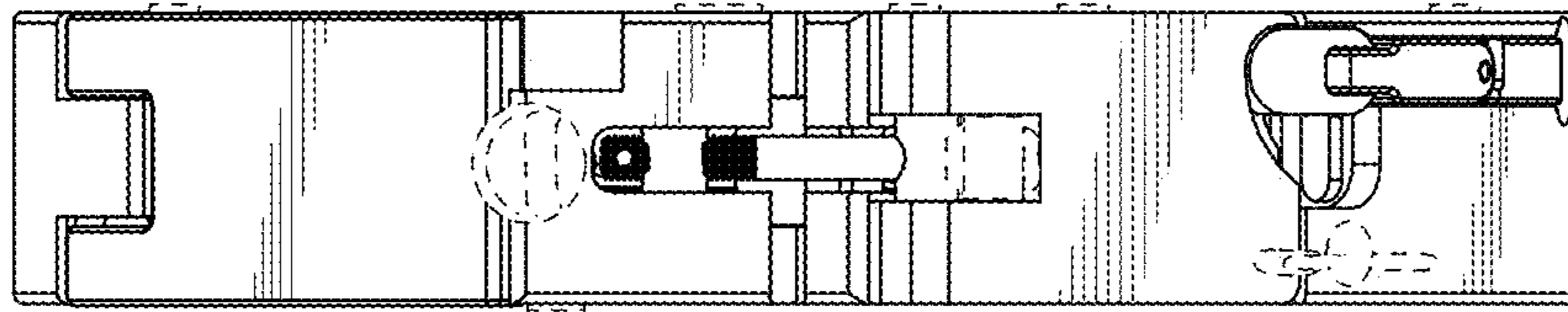


FIG. 4

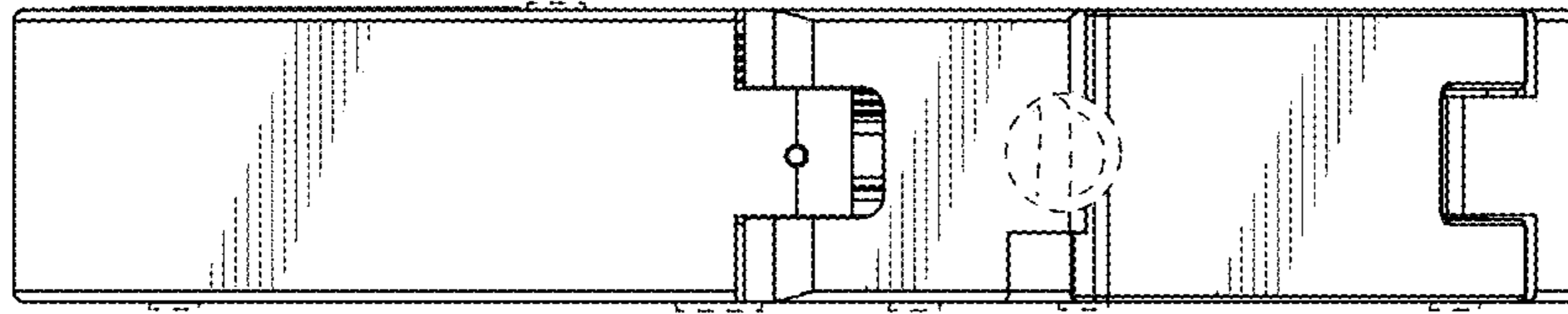


FIG. 5

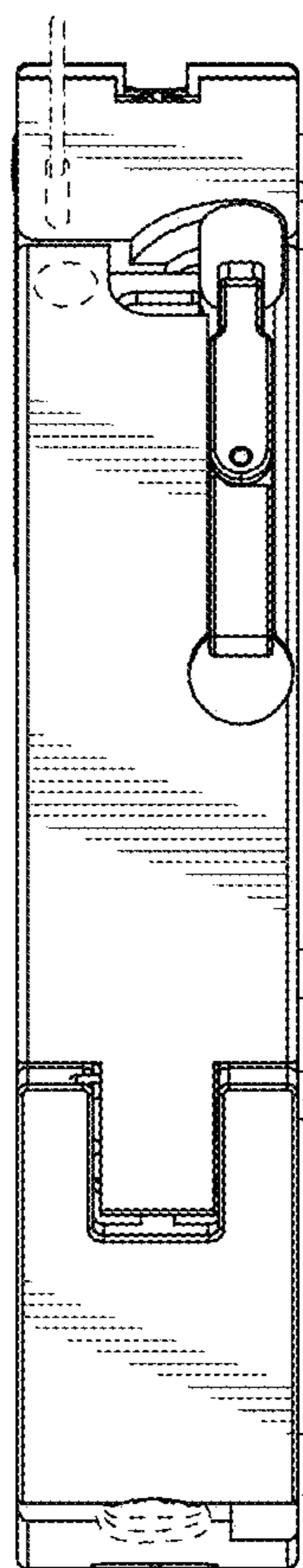


FIG. 6

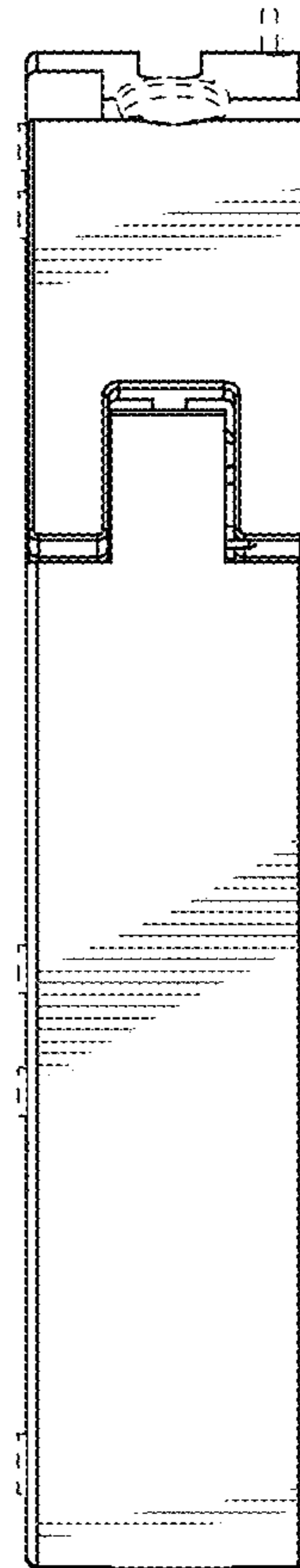
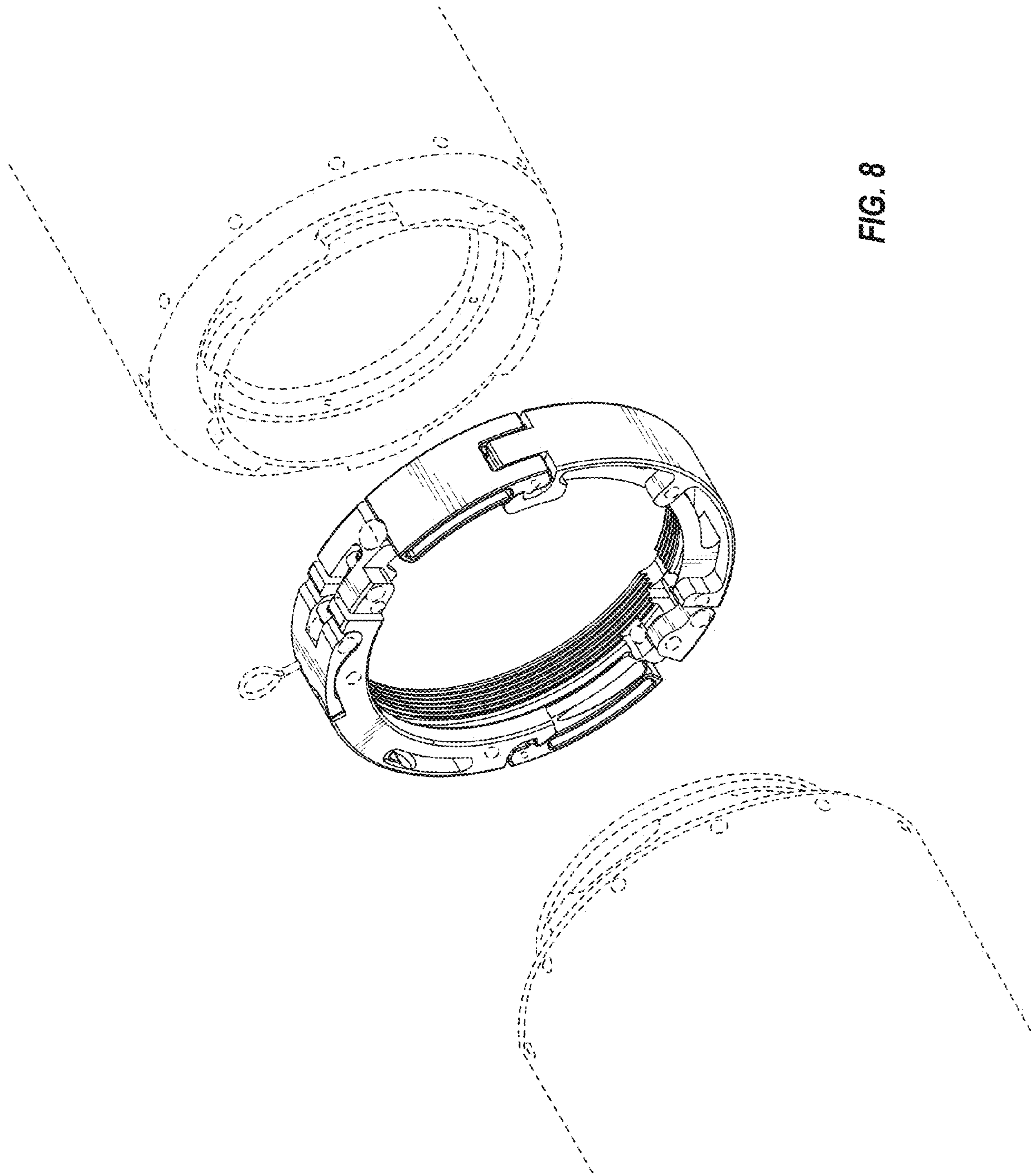


FIG. 7



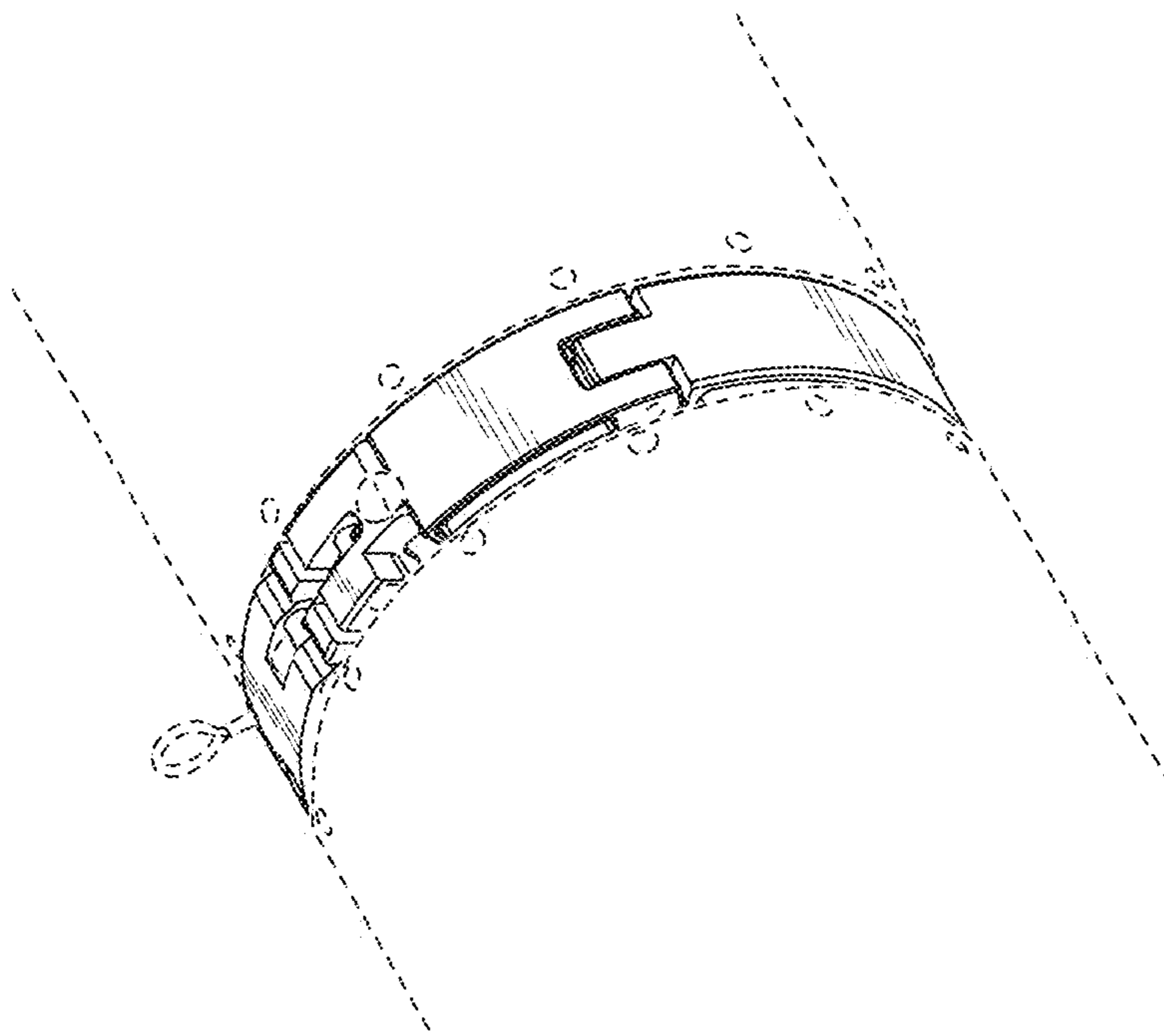


FIG. 9