



US00D964154S

(12) **United States Design Patent**
Tu

(10) **Patent No.:** **US D964,154 S**

(45) **Date of Patent:** **** Sep. 20, 2022**

(54) **ANTI VIBRATION SUPPORT SET**

(71) Applicant: **Yunhua Tu**, Fuzhou (CN)

(72) Inventor: **Yunhua Tu**, Fuzhou (CN)

(**) Term: **15 Years**

(21) Appl. No.: **29/799,066**

(22) Filed: **Jul. 12, 2021**

(30) **Foreign Application Priority Data**

Jul. 5, 2021 (CN) 202130420941.1

(51) **LOC (13) Cl.** **08-05**

(52) **U.S. Cl.**
USPC **D8/380**

(58) **Field of Classification Search**

USPC D8/15, 16, 19, 20, 72-74, 349, 374, 375,
D8/376, 354, 380, 382, 499

(Continued)

(56) **References Cited**

U.S. PATENT DOCUMENTS

6,948,688 B1 * 9/2005 Payne A47C 19/024
5/509.1

9,033,293 B1 * 5/2015 Glenn A47B 91/005
248/346.11

(Continued)

OTHER PUBLICATIONS

Amazon.com, Neiabo Bed Furniture Risers 3 Inch, Heavy Duty Adjustable Square Risers for Couch Table Desk Sofa Fridge Dryer Square Lifts Supports up to 1,300 lbs, Set of 8 (Black), <https://www.amazon.com/Neiabo-Furniture-Risers-Adjustable-Supports>, 2022 (Year: 2022).*

Primary Examiner — Keli L Hill

Assistant Examiner — Harold E Blackwell, II

(57) **CLAIM**

The ornamental design for an anti vibration support set, as shown and described.

DESCRIPTION

FIG. 1 is a perspective view of a first component of an anti vibration support set showing my new design shown separately for ease of illustration;

FIG. 2 is another perspective view thereof;

FIG. 3 is a front elevational view thereof;

FIG. 4 is a rear elevational view thereof;

FIG. 5 is a left side elevational view thereof;

FIG. 6 is a right side elevational view thereof;

FIG. 7 is a top plan view thereof;

FIG. 8 is a bottom plan view thereof;

FIG. 9 is a perspective view of a second component of the anti vibration support set shown separately for ease of illustration;

FIG. 10 is another perspective view thereof;

FIG. 11 is a front elevational view thereof;

FIG. 12 is a rear elevational view thereof;

FIG. 13 is a left side elevational view thereof;

FIG. 14 is a right side elevational view thereof;

FIG. 15 is a top plan view thereof;

FIG. 16 is a bottom plan view thereof;

FIG. 17 is a perspective view of a third component of the anti vibration support set shown separately for ease of illustration;

FIG. 18 is another perspective view thereof;

FIG. 19 is a front elevational view thereof;

FIG. 20 is a rear elevational view thereof;

FIG. 21 is a left side elevational view thereof;

FIG. 22 is a right side elevational view thereof;

FIG. 23 is a top plan view thereof;

FIG. 24 is a bottom plan view thereof;

FIG. 25 is a perspective view of a fourth component of the anti vibration support set shown separately for ease of illustration;

FIG. 26 is another perspective view thereof;

FIG. 27 is a front elevational view thereof;

FIG. 28 is a rear elevational view thereof;

FIG. 29 is a left side elevational view thereof;

FIG. 30 is a right side elevational view thereof;

FIG. 31 is a top plan view thereof;

FIG. 32 is a bottom plan view thereof;

(Continued)

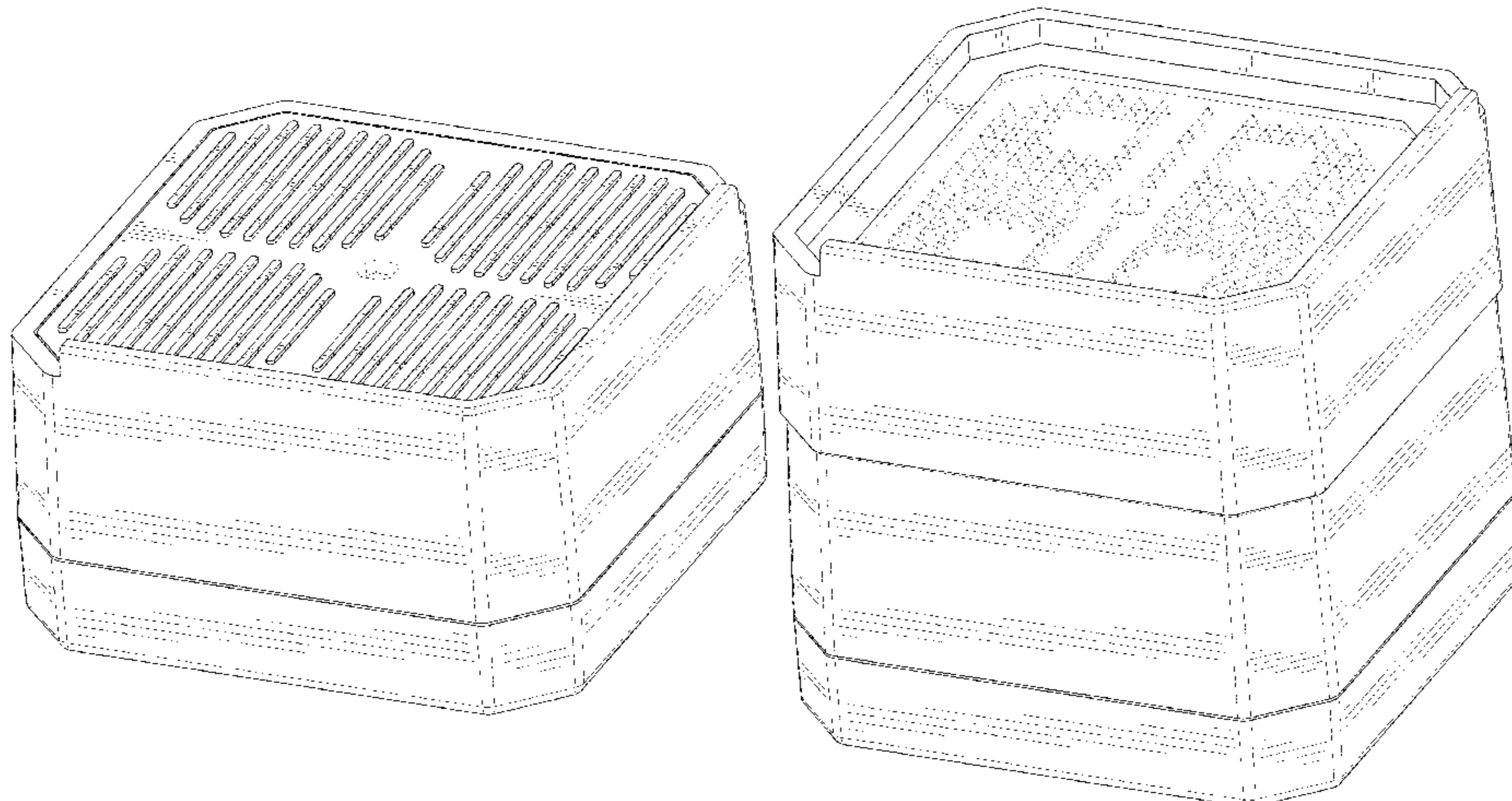


FIG. 33 is a perspective view of the first component, the third component, and the fourth component where the first component, the third component, and the fourth component are assembled together;

FIG. 34 is a perspective view of the anti vibration support set where the anti vibration support set is in a configuration of use;

FIG. 35 is a perspective view of the first component, the second component, and the fourth component where the first component, the second component, and the fourth component are assembled together;

FIG. 36 is a perspective view of the first component, the two second components, and the fourth component where the first component, the two second components, and the fourth component are assembled together;

FIG. 37 is a perspective view of the third component and the fourth component where the third component and the fourth component are assembled together;

FIG. 38 is a perspective view of the second component, the third component, and the fourth component where the second component, the third component, and the fourth component are assembled together;

FIG. 39 is a perspective view of the second component and the fourth component where the second component and the fourth component are assembled together; and,

FIG. 40 is a perspective view of the two second components and the fourth component where the two second components and the fourth component are assembled together.

The broken lines in the drawings depict portions of the anti vibration support set that form no part of the claimed design.

1 Claim, 40 Drawing Sheets

(58) **Field of Classification Search**

CPC A47C 7/006; A47C 7/008
See application file for complete search history.

(56) **References Cited**

U.S. PATENT DOCUMENTS

D736,607	S *	8/2015	Sheldon	D8/374
D828,144	S *	9/2018	Rodack	D8/374
D871,696	S *	12/2019	Wendling	D32/25
D893,288	S *	8/2020	Wendling	D8/374
D894,720	S *	9/2020	Wendling	D8/374
D896,621	S *	9/2020	Wendling	D8/374
D896,622	S *	9/2020	Wendling	D8/374
D898,118	S *	10/2020	Jo	D14/374
D901,588	S *	11/2020	Elmer	D20/10
D915,871	S *	4/2021	Wendling	D8/374
D923,462	S *	6/2021	Wendling	D8/374
D941,130	S *	1/2022	Wendling	D8/374
D941,665	S *	1/2022	Zhu	D8/374
11,253,068	B2 *	2/2022	Geyer	A47B 91/12
D949,673	S *	4/2022	Wendling	A47C 7/006 D8/374
2005/0172678	A1	8/2005	Kim et al.		
2017/0057126	A1	3/2017	Anderle et al.		
2020/0146448	A1 *	5/2020	Wendling	A47B 91/12

* cited by examiner

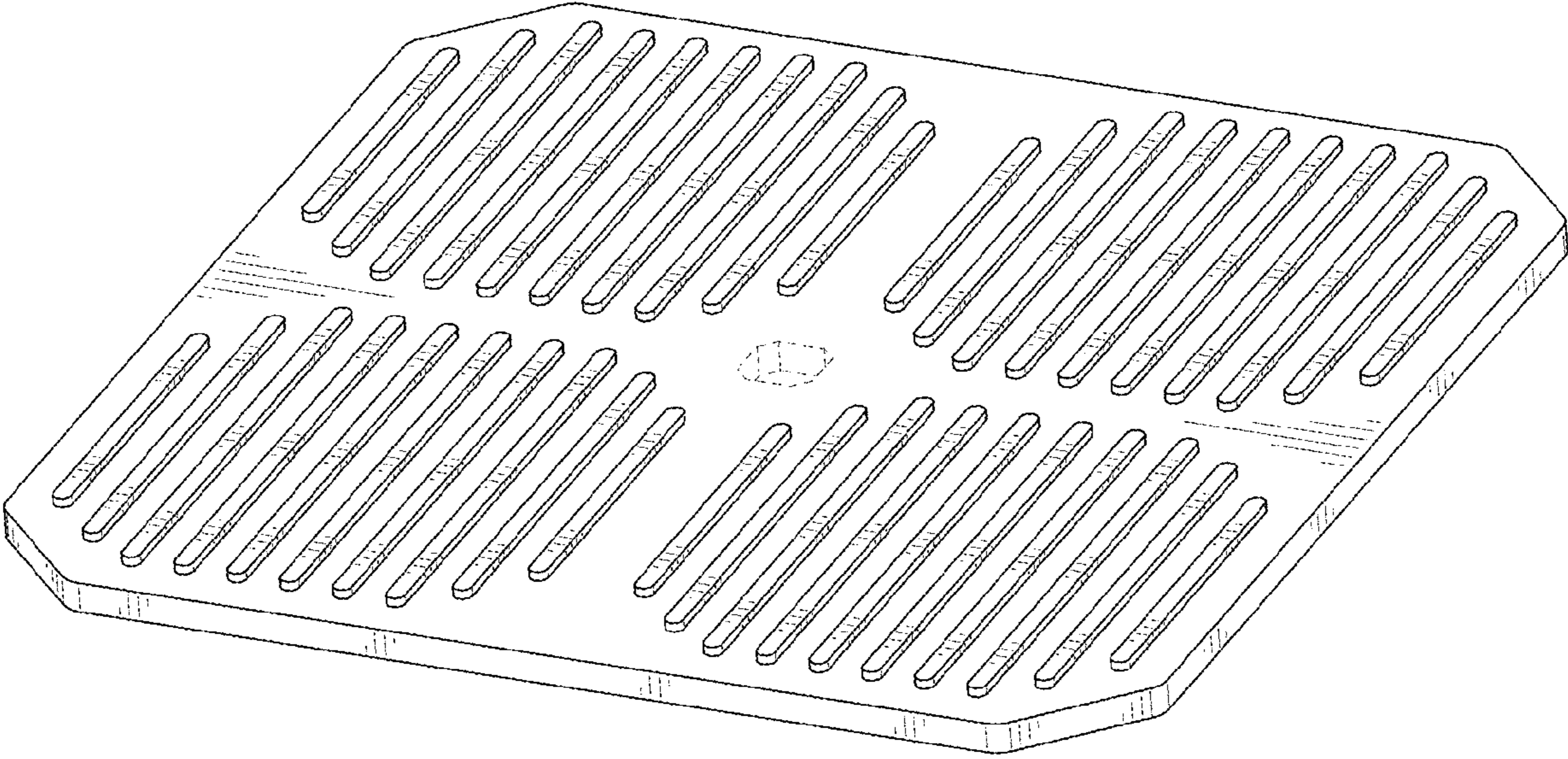


FIG. 1

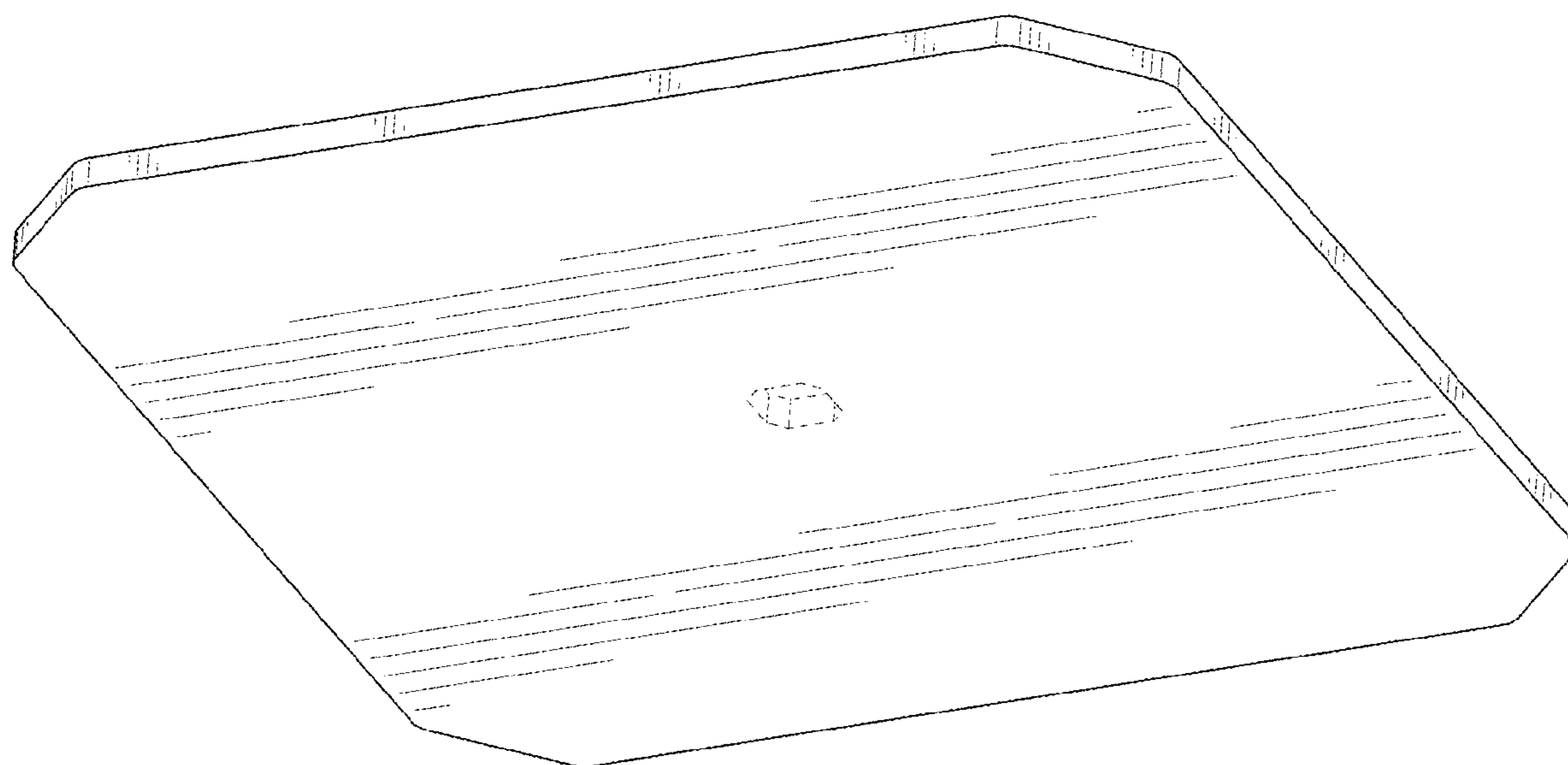


FIG. 2

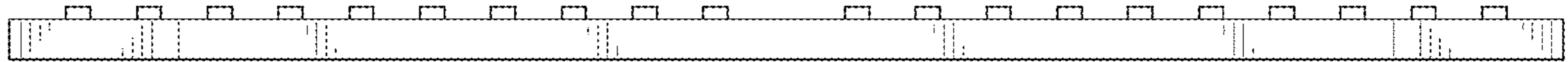


FIG. 3

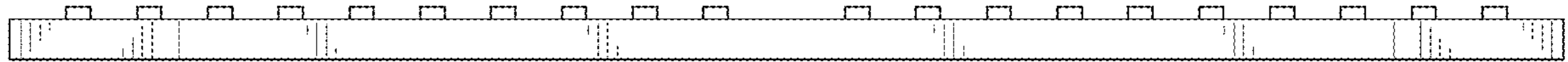


FIG. 4

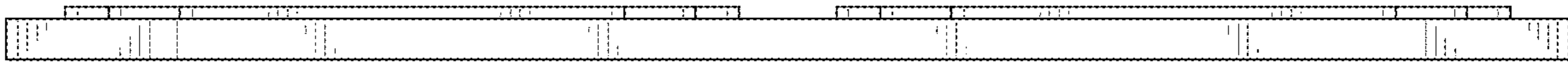


FIG. 5

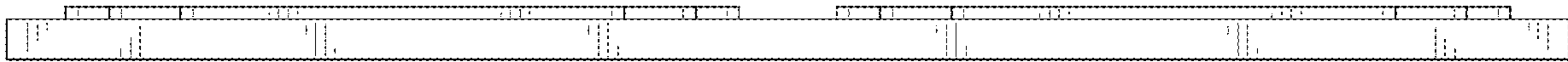


FIG. 6

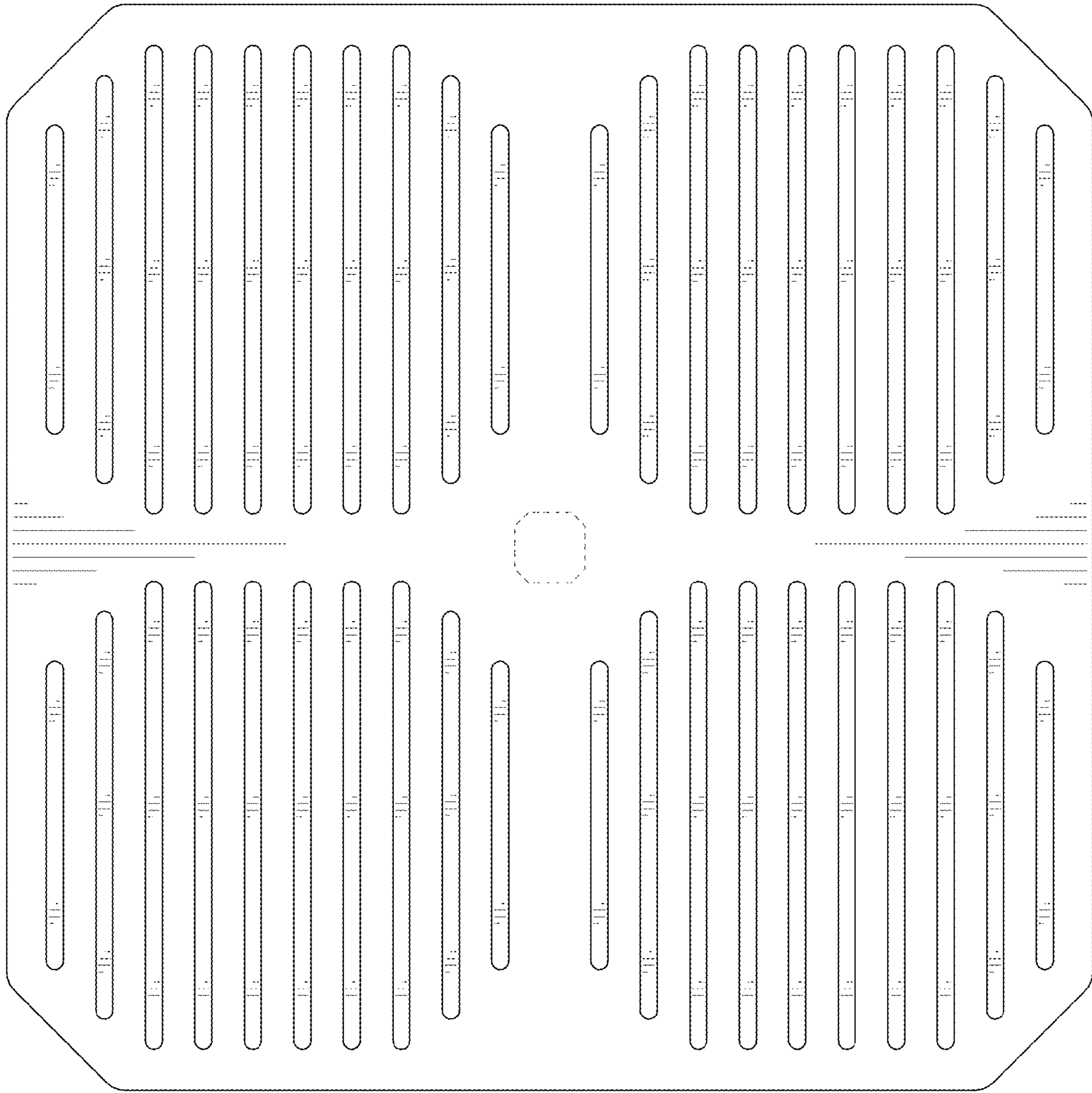


FIG. 7

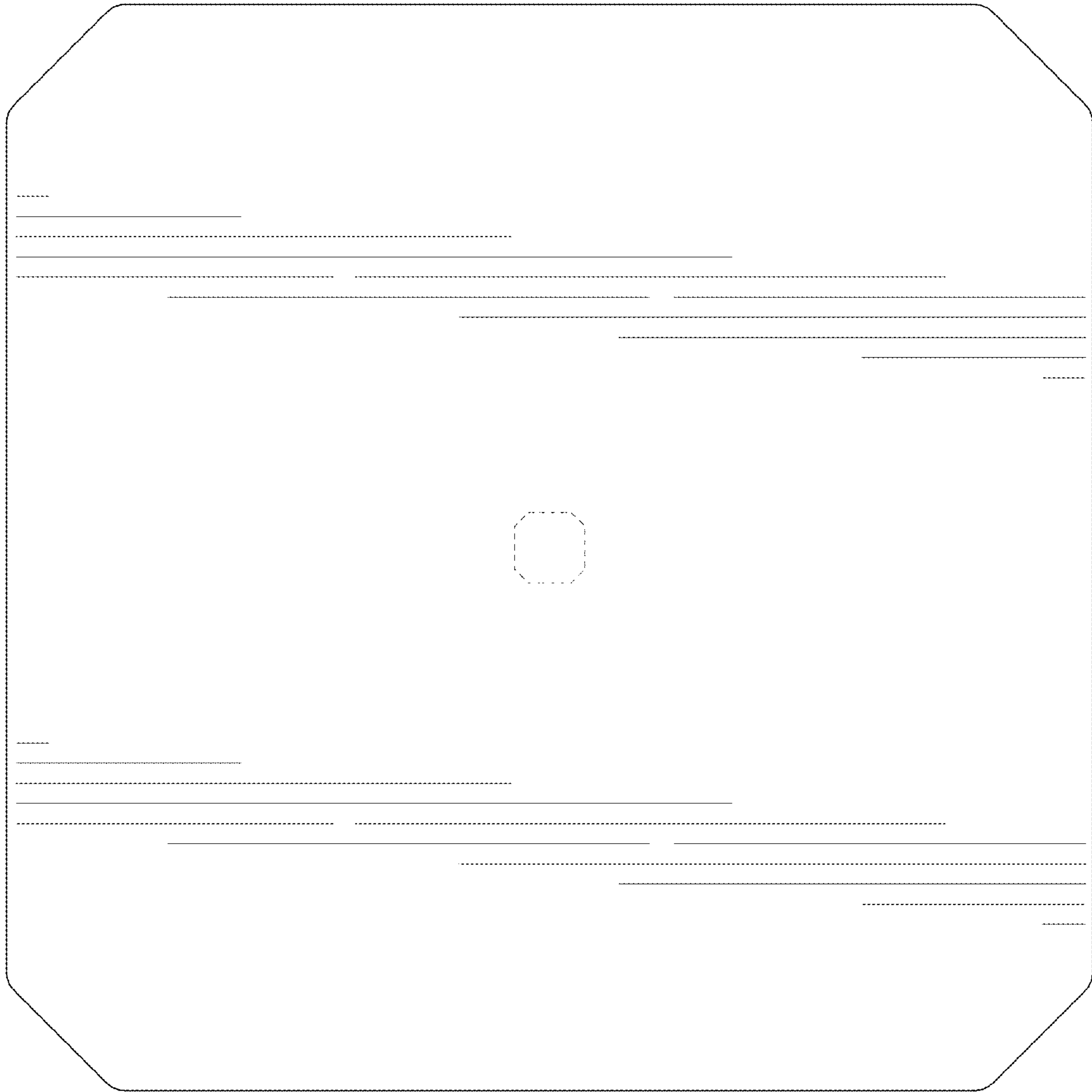


FIG. 8

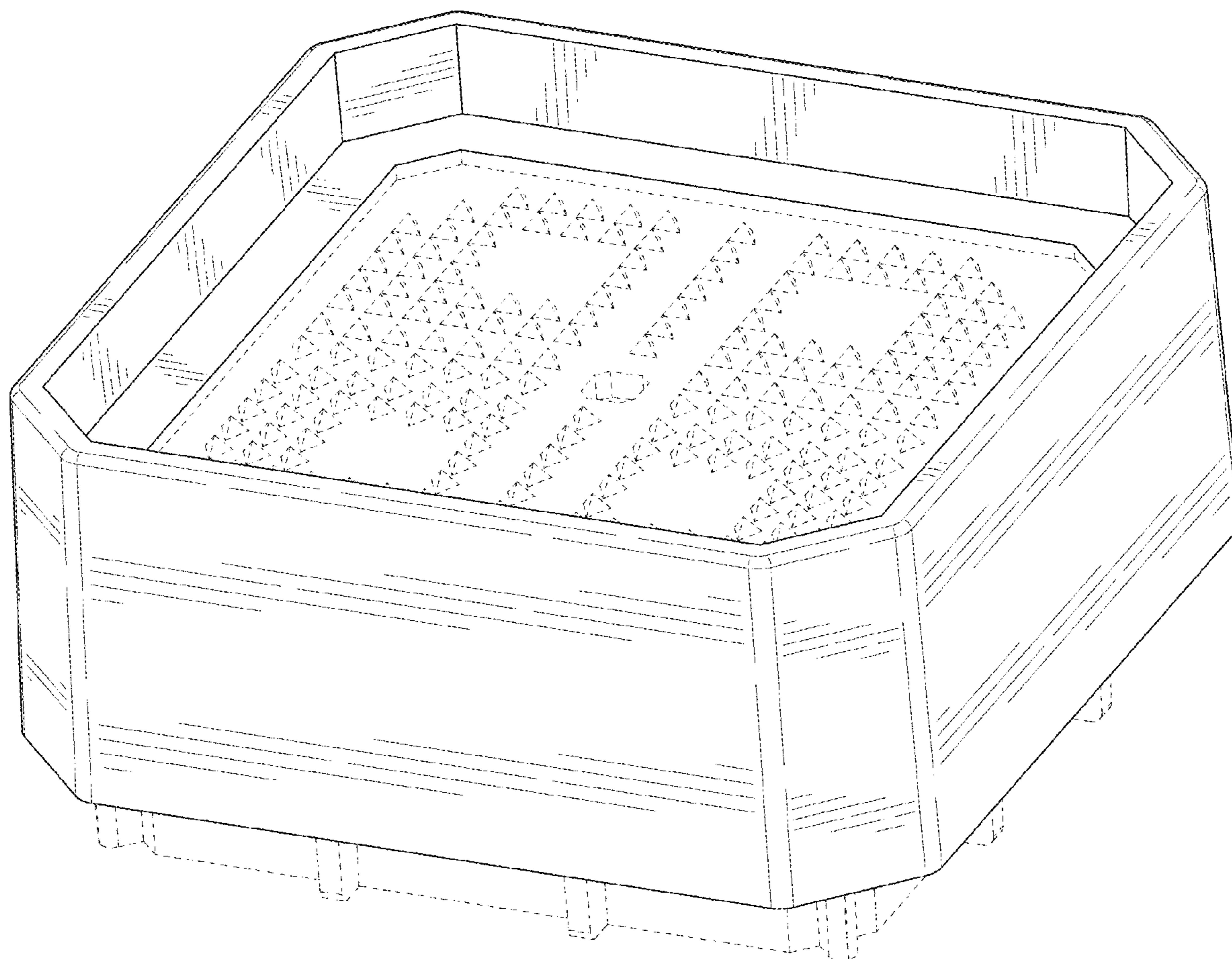


FIG. 9

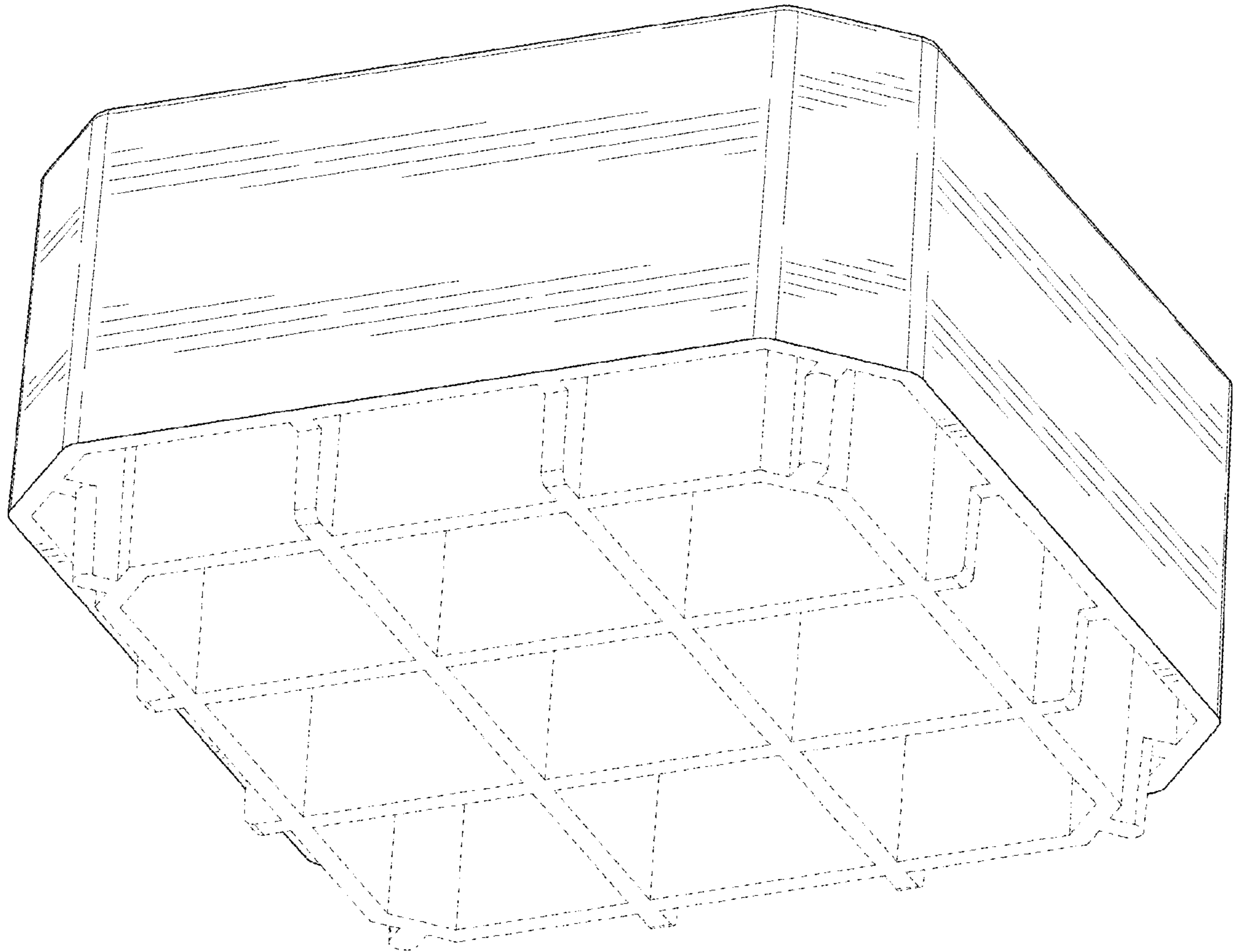


FIG. 10

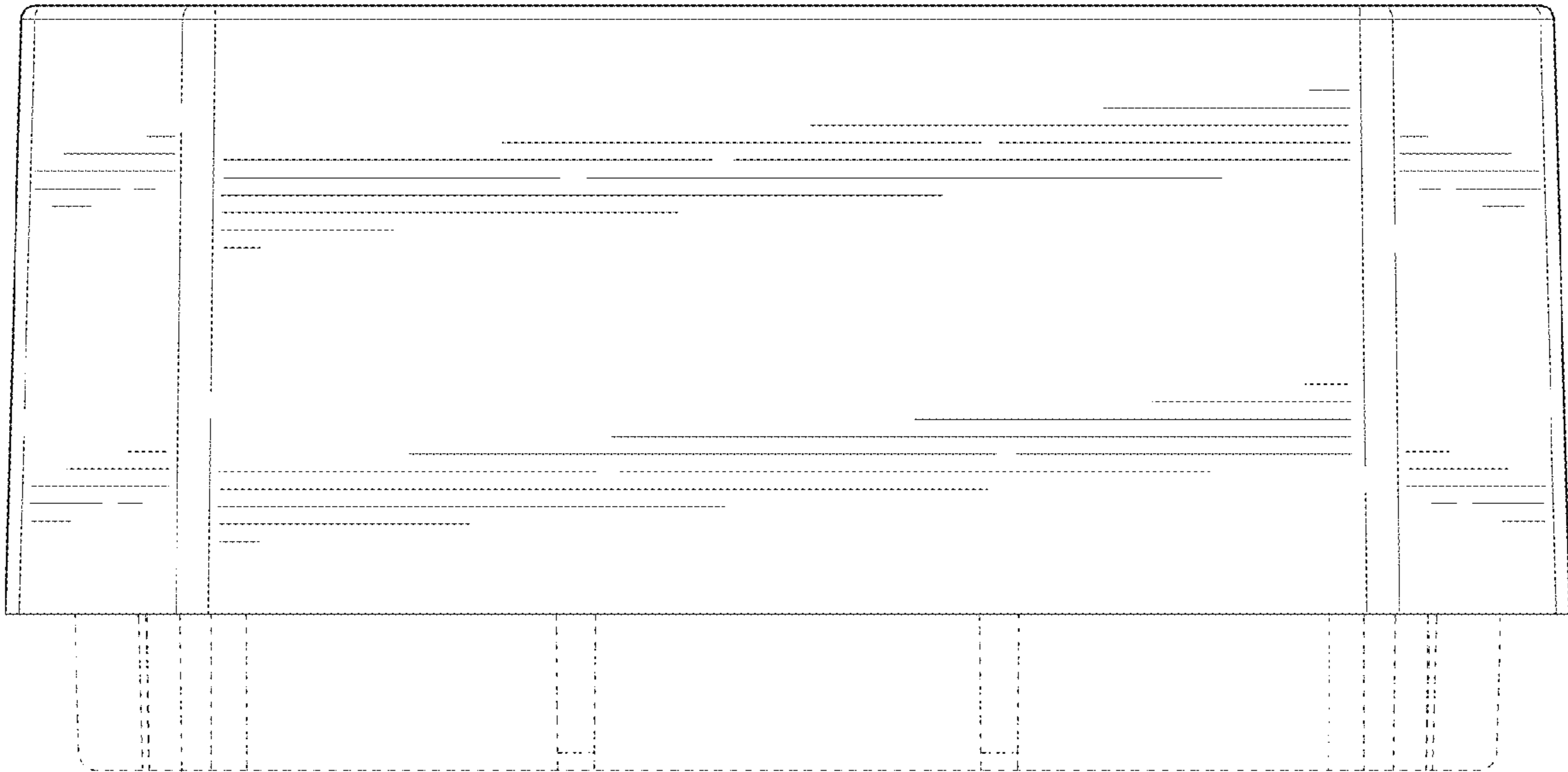


FIG. 11

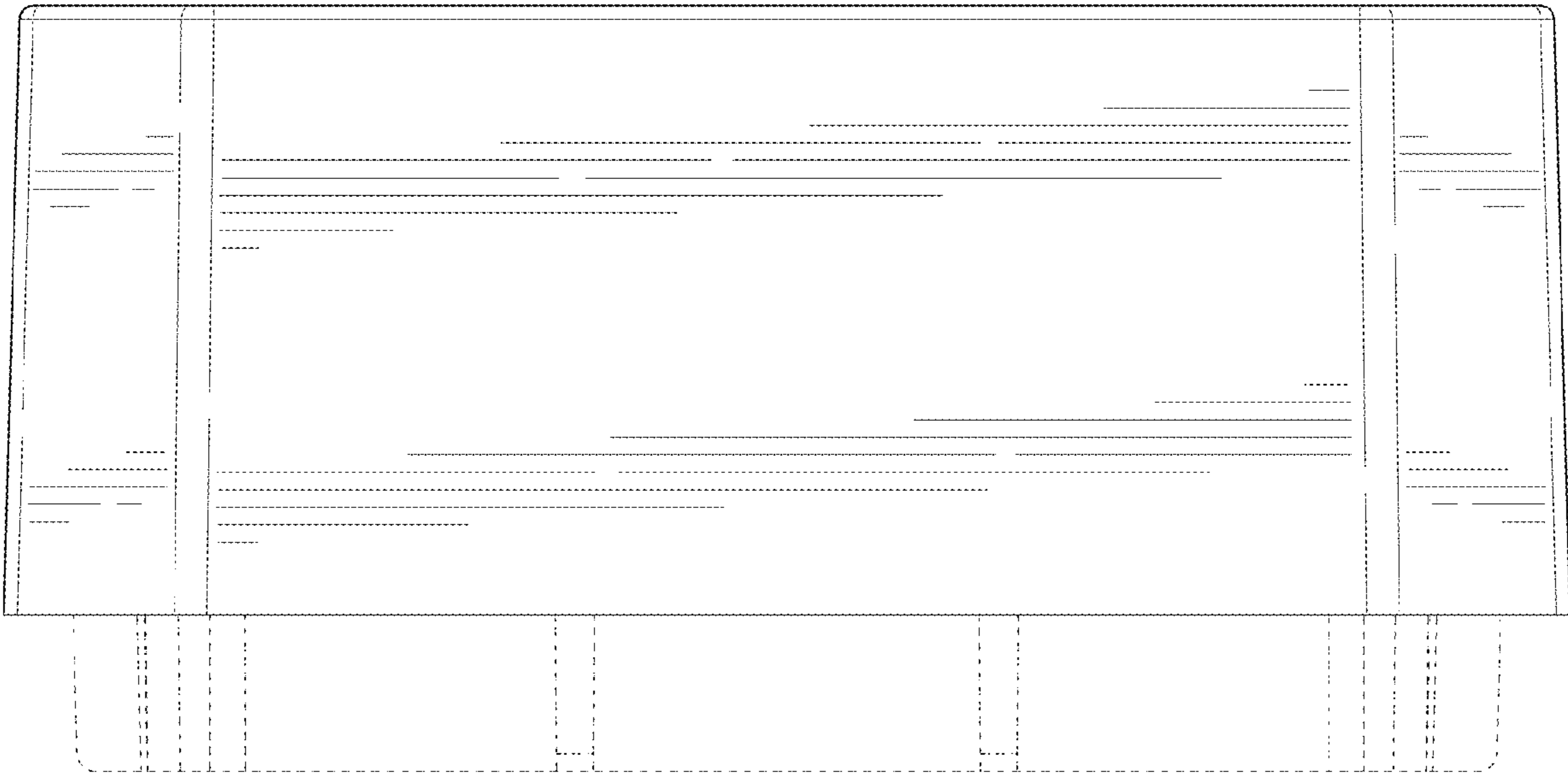


FIG. 12

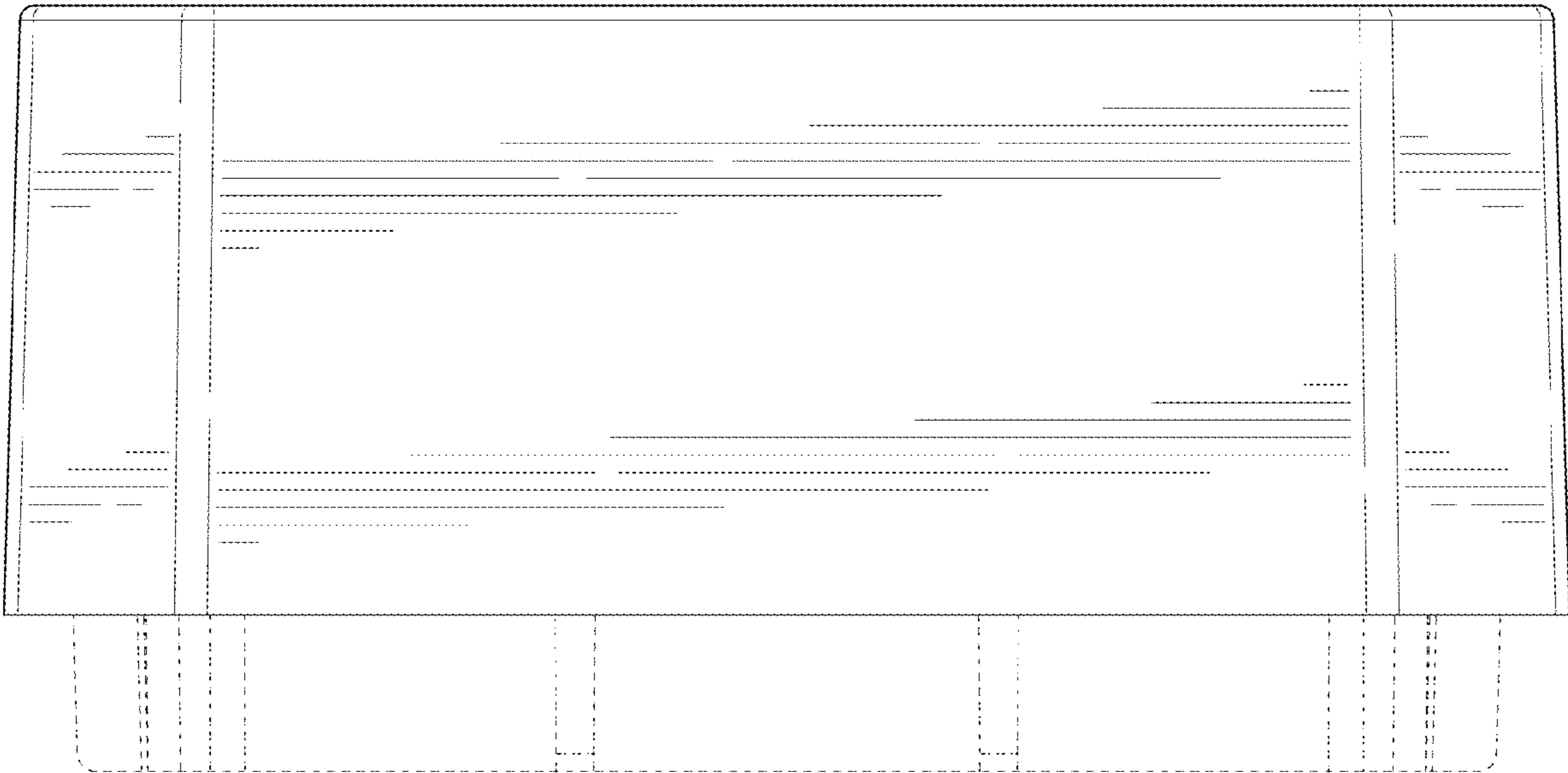


FIG. 13

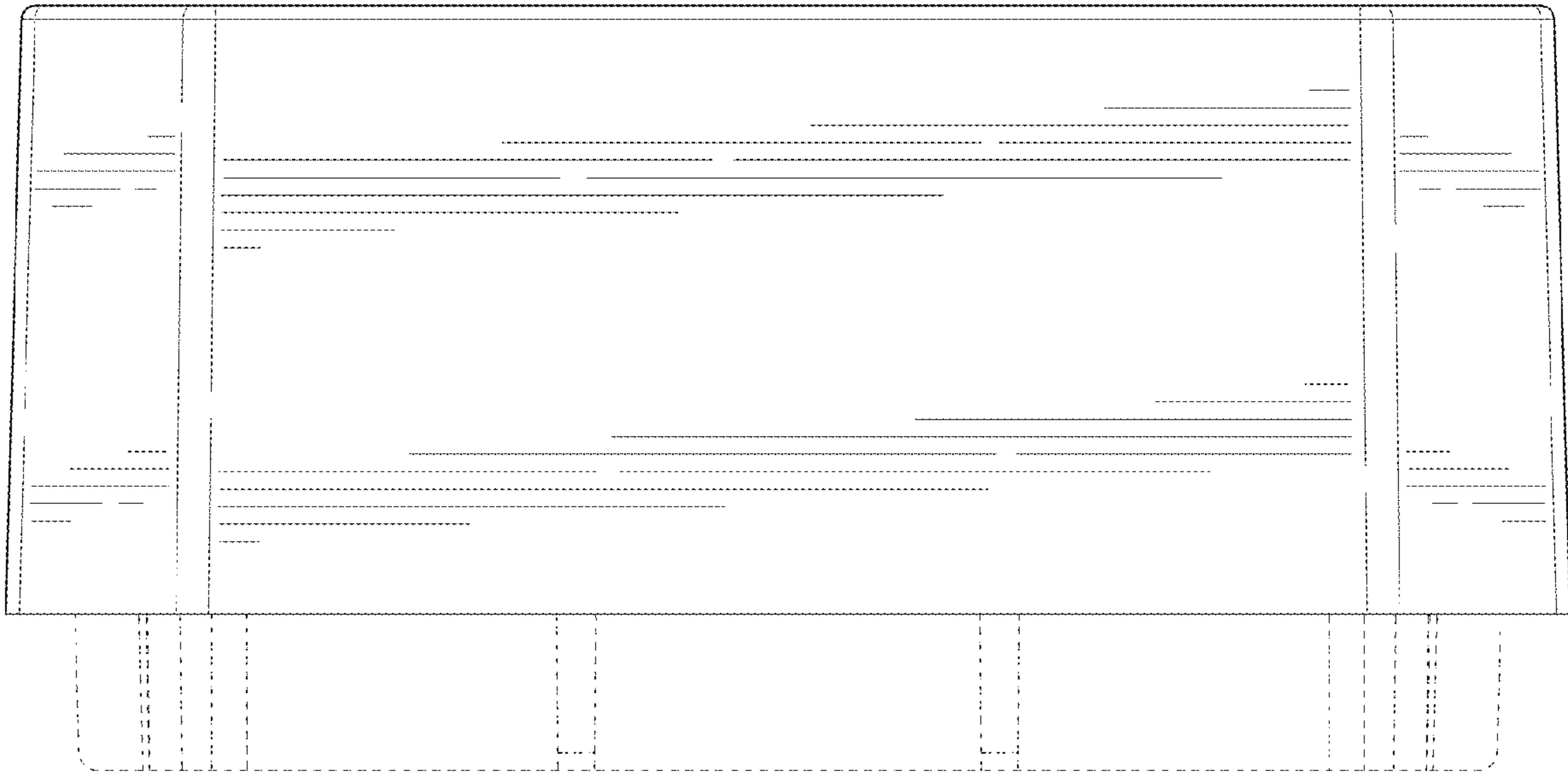


FIG. 14

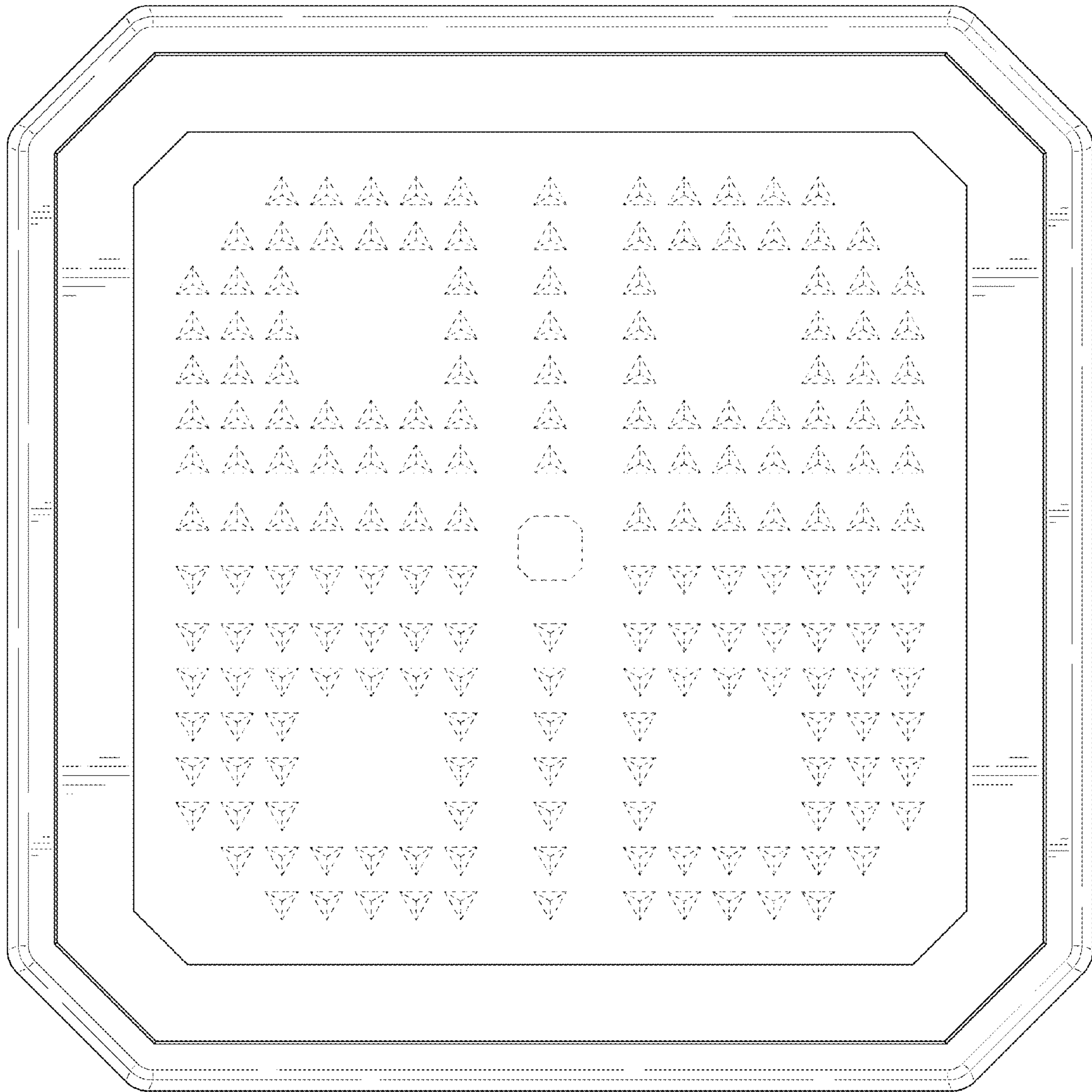


FIG. 15

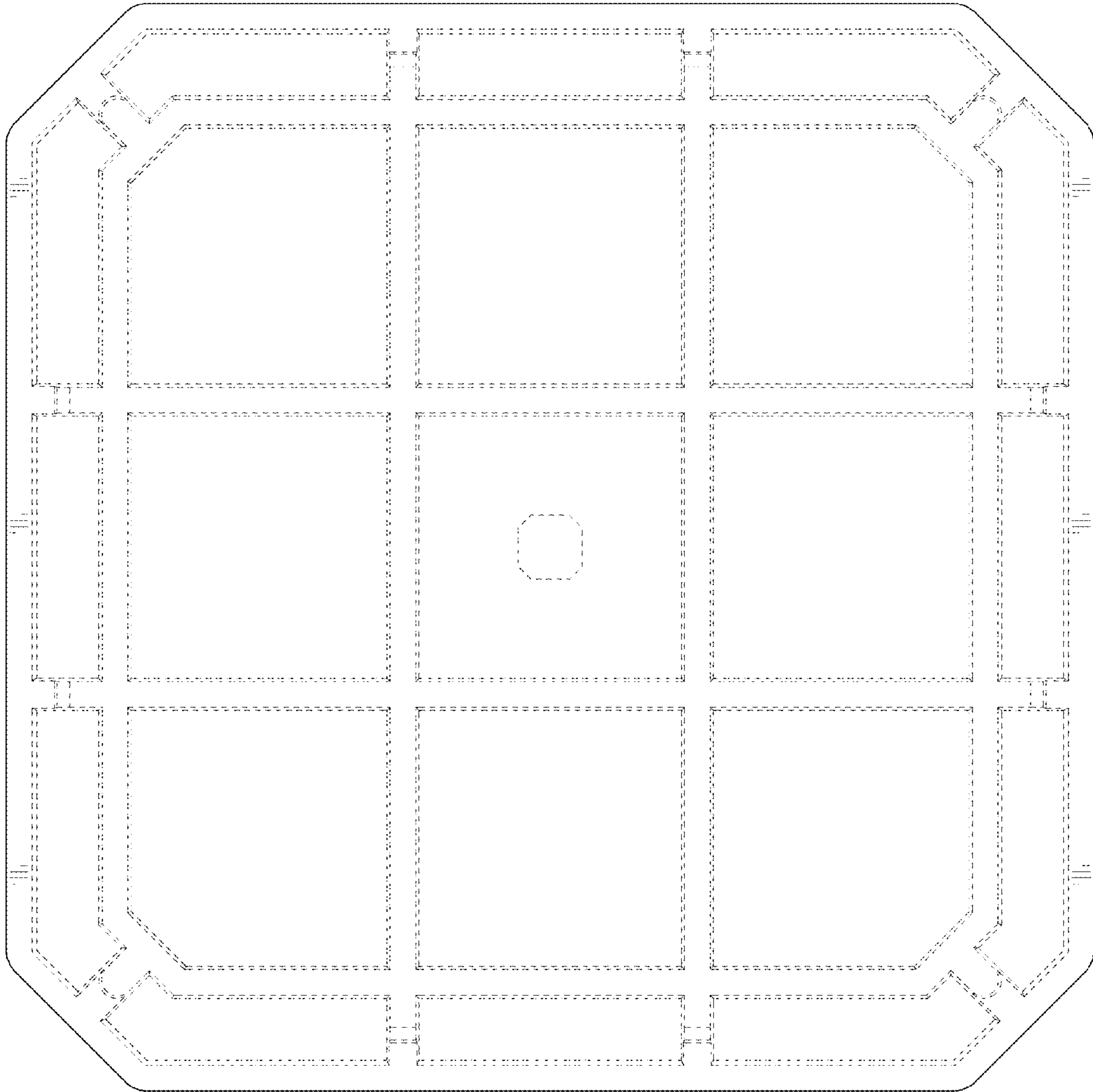


FIG. 16

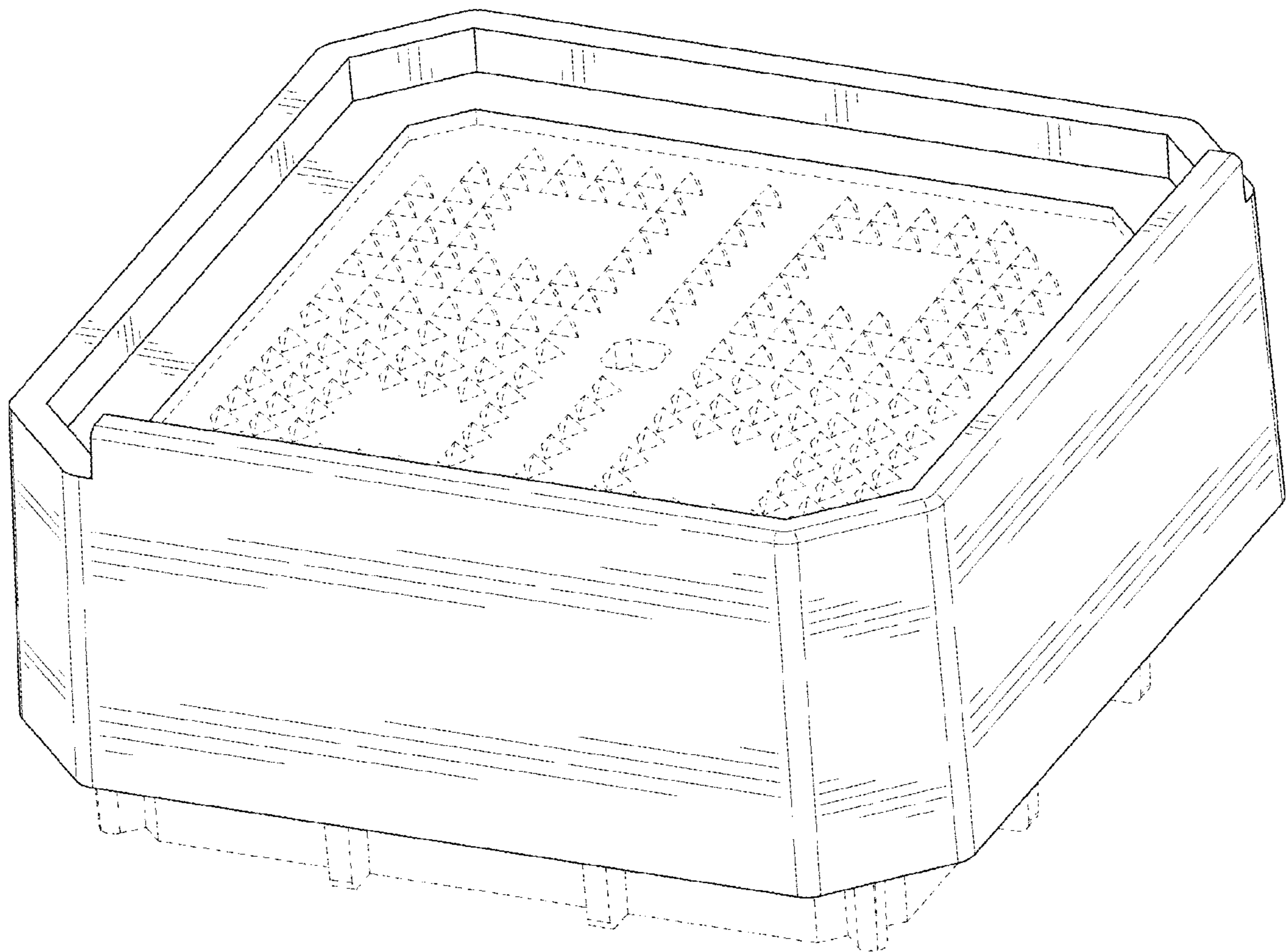


FIG. 17

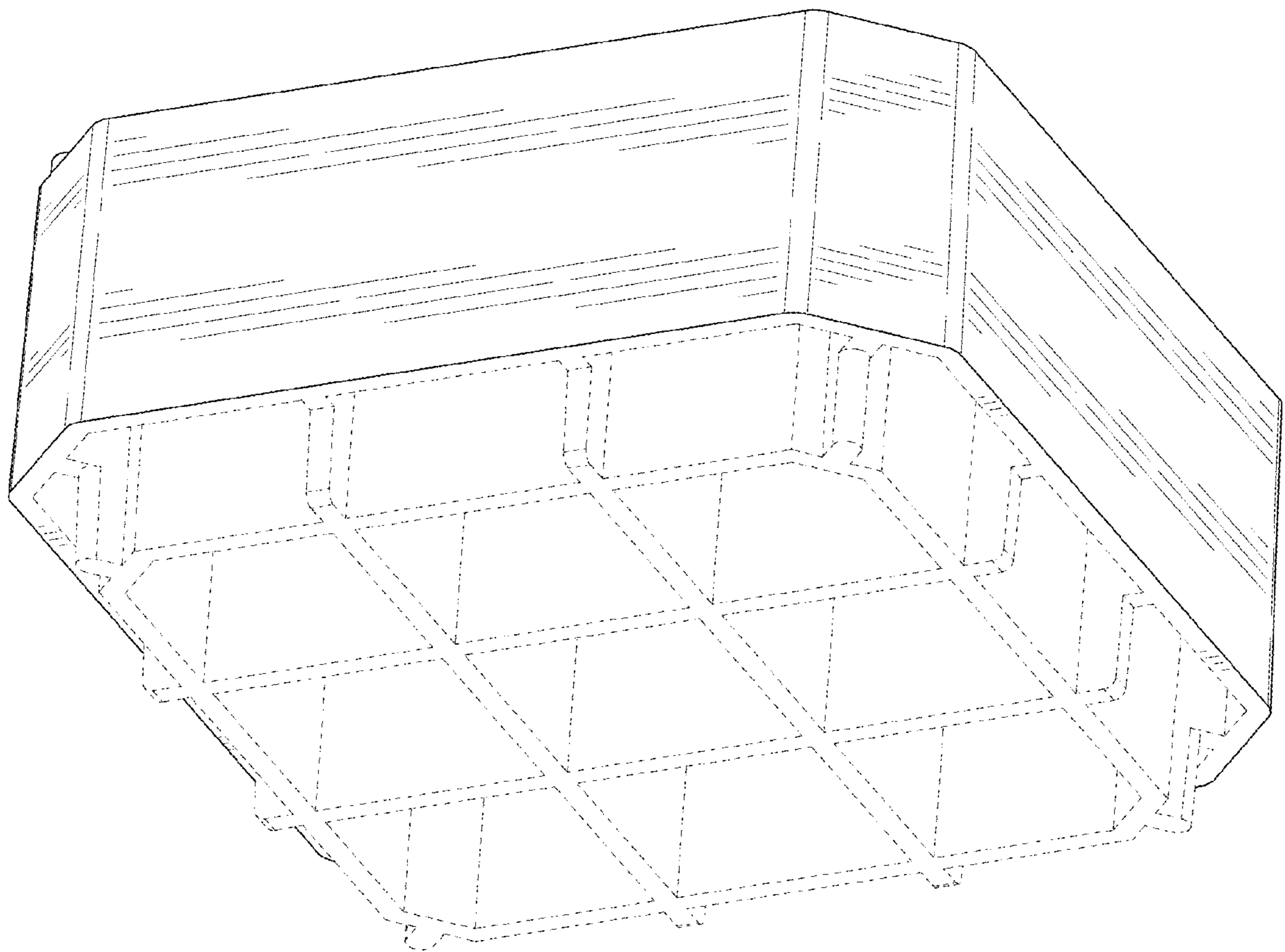


FIG. 18

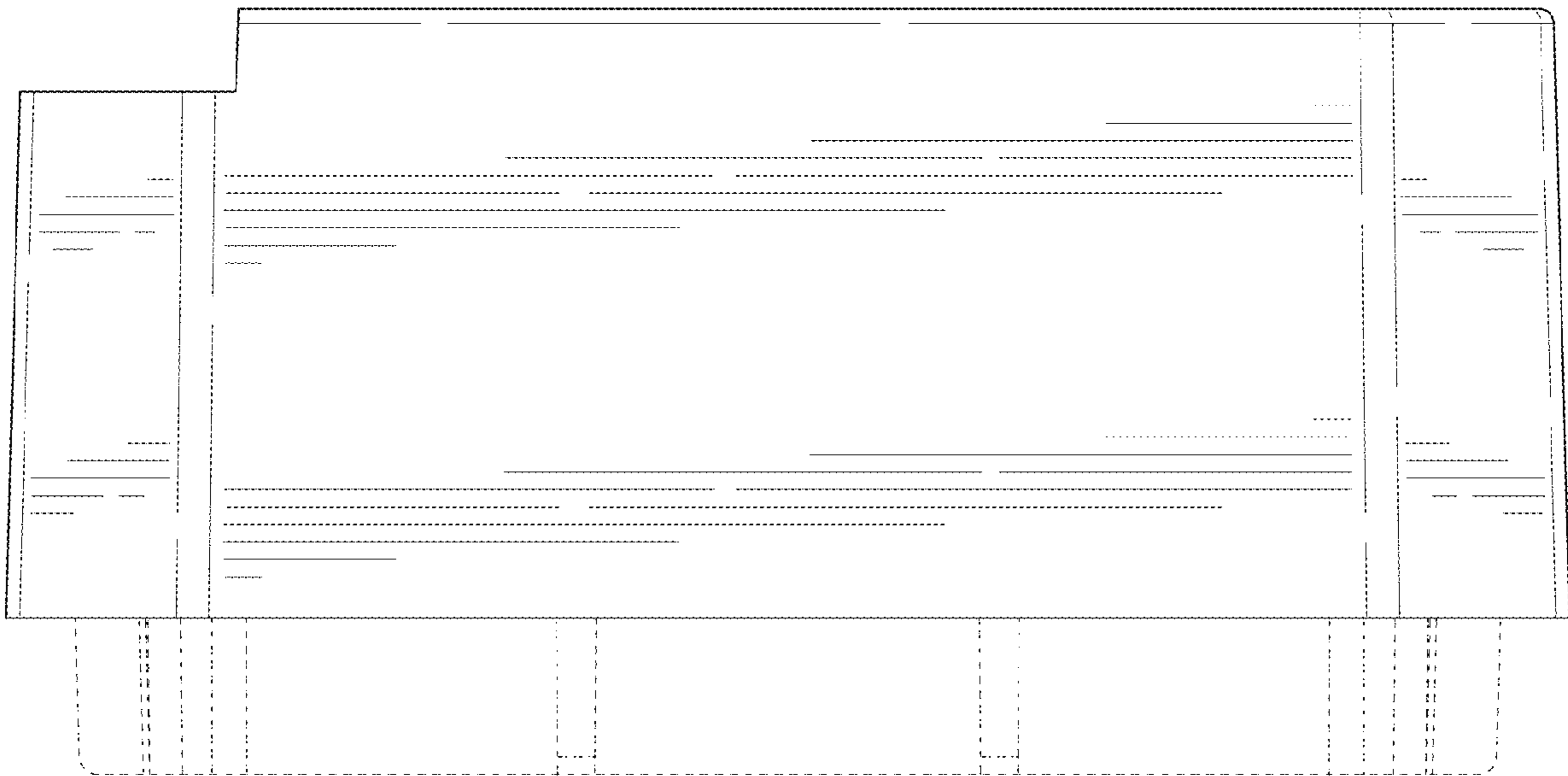


FIG. 19

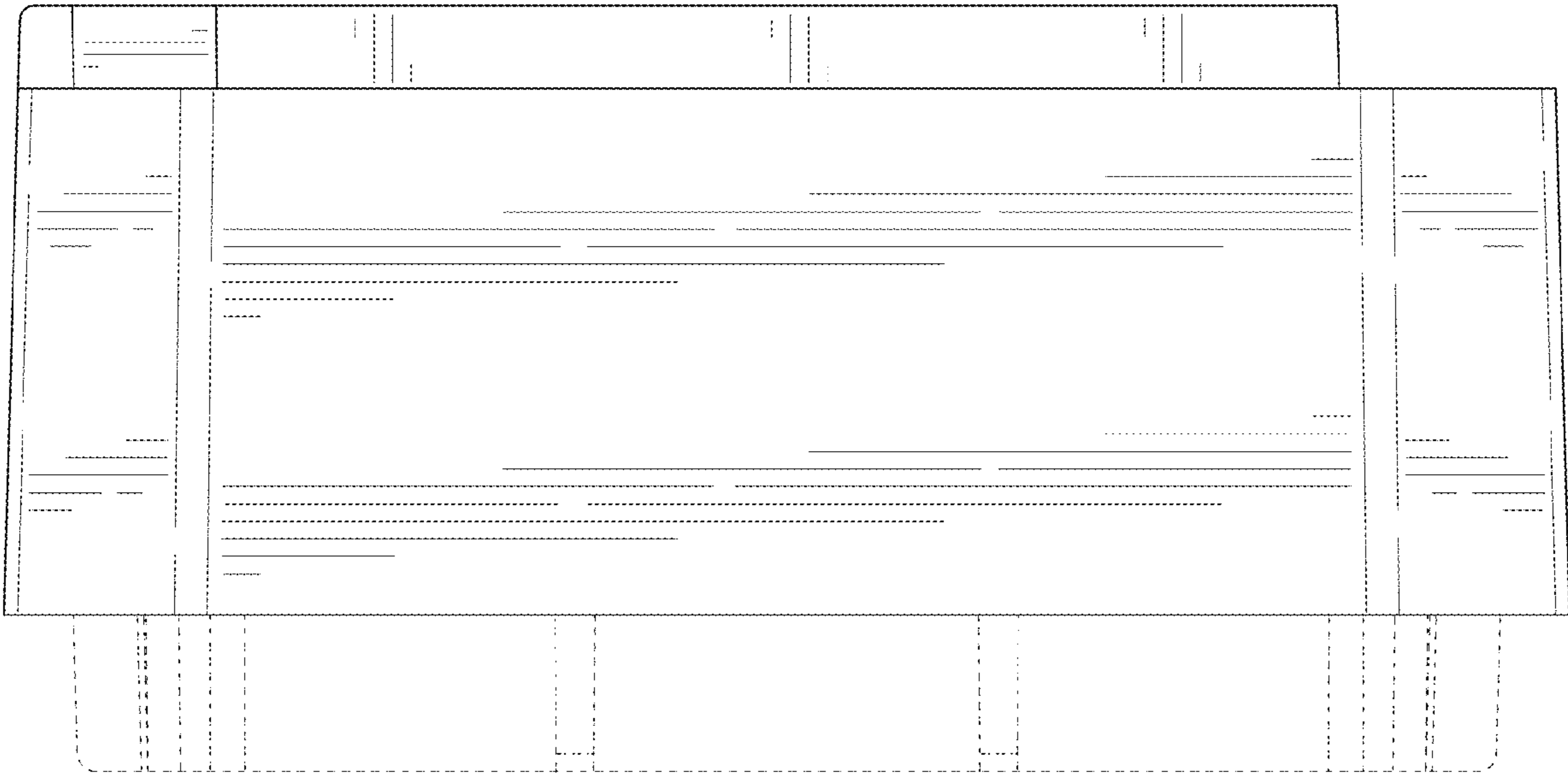


FIG. 20

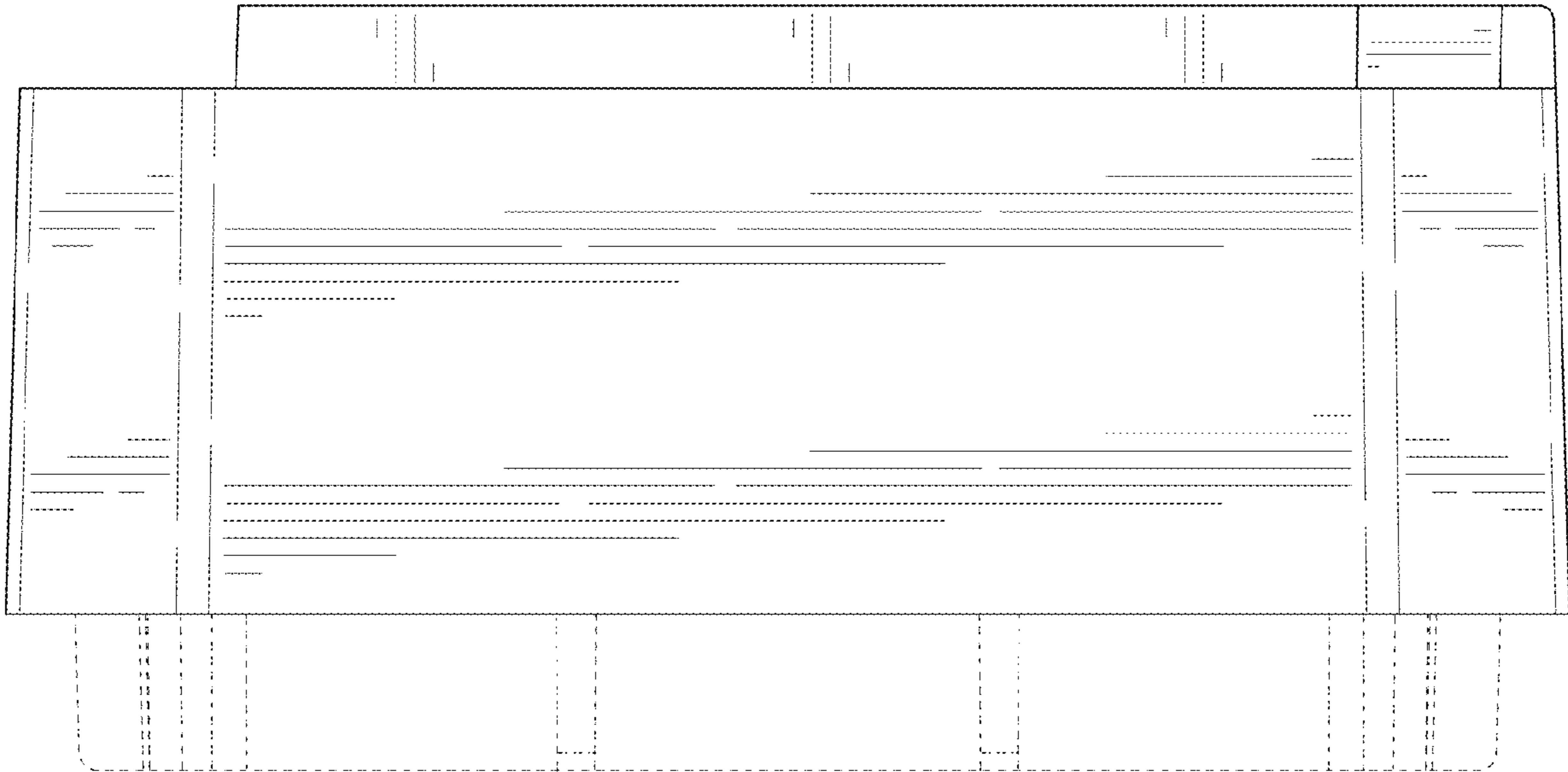


FIG. 21

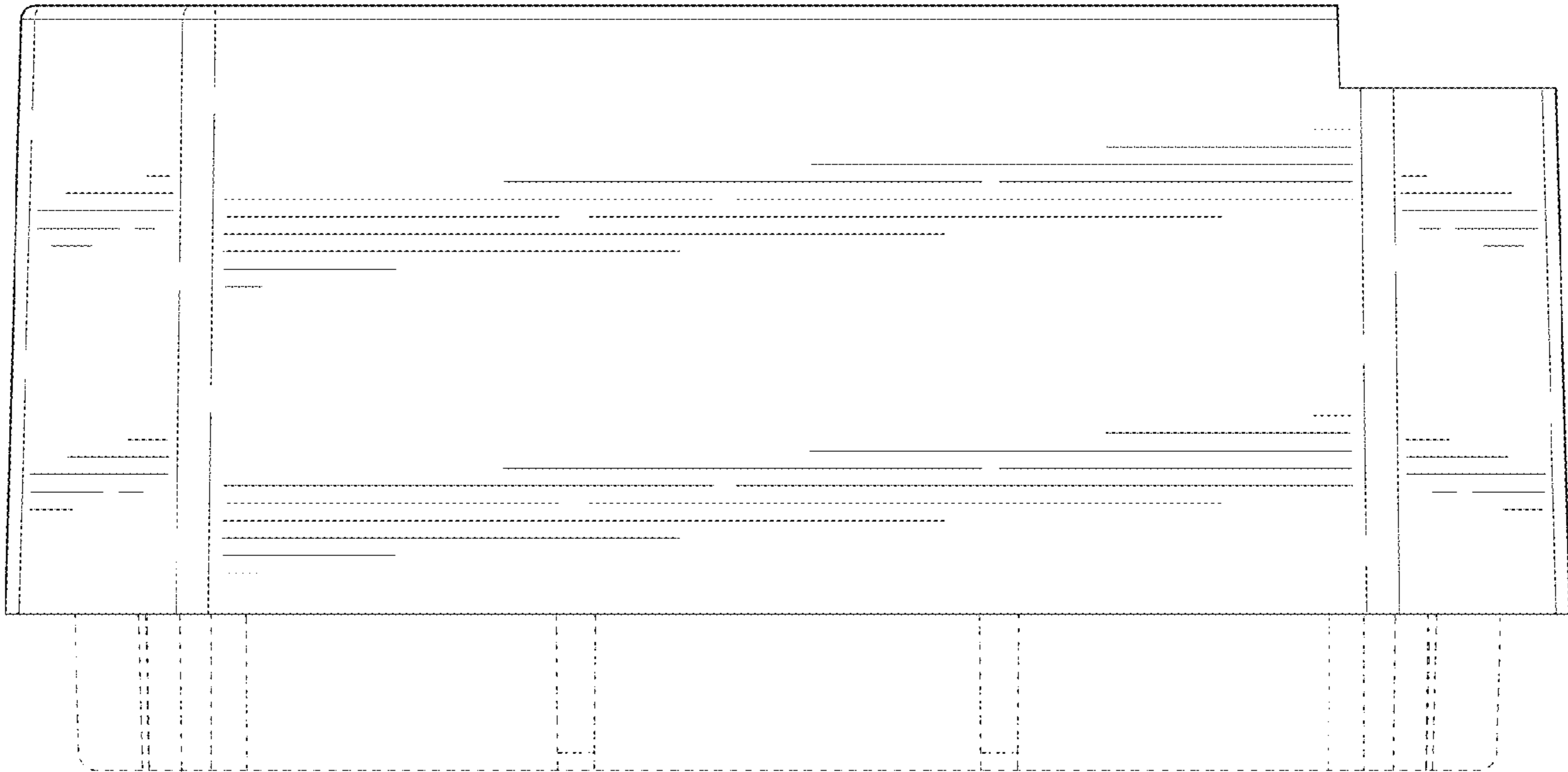


FIG. 22

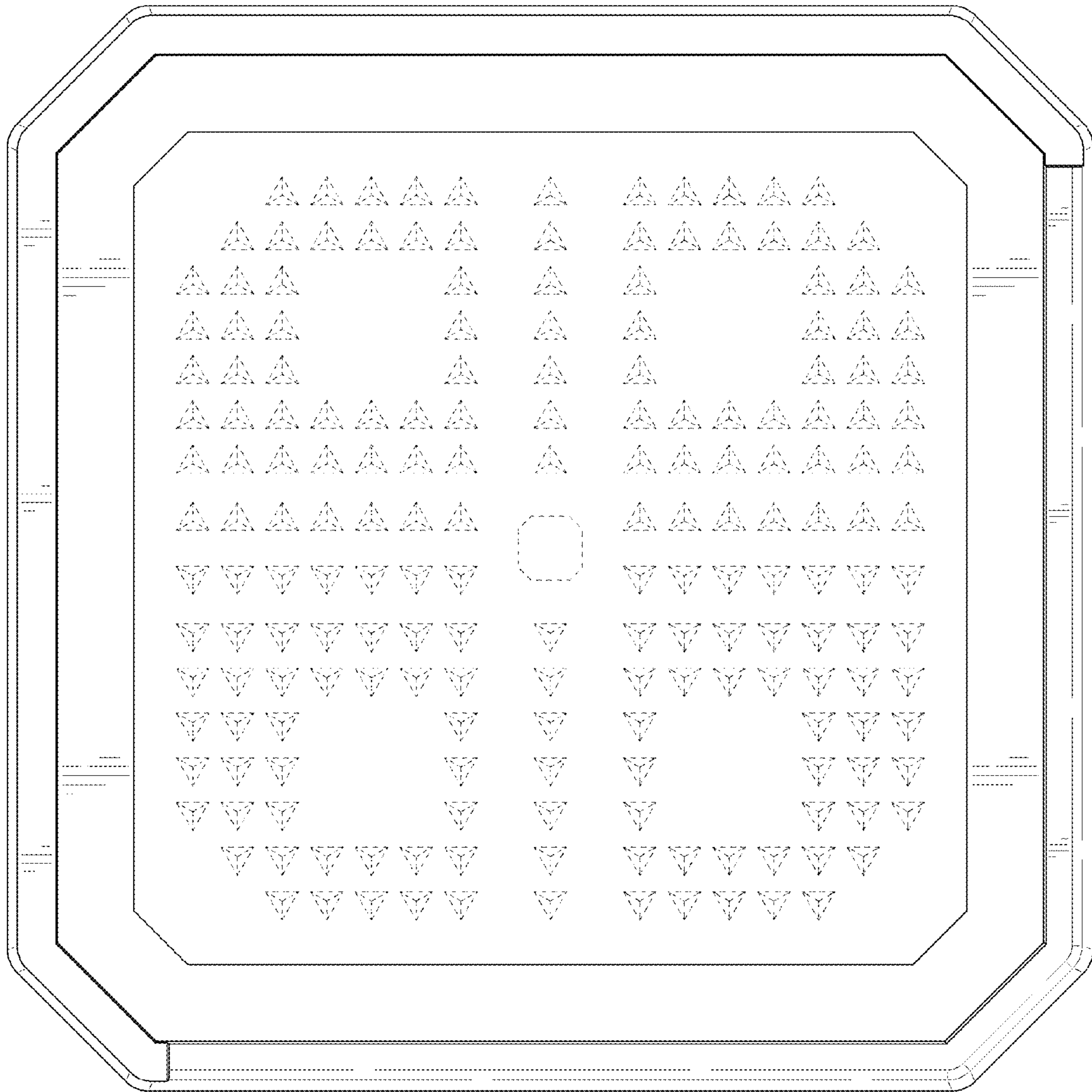


FIG. 23

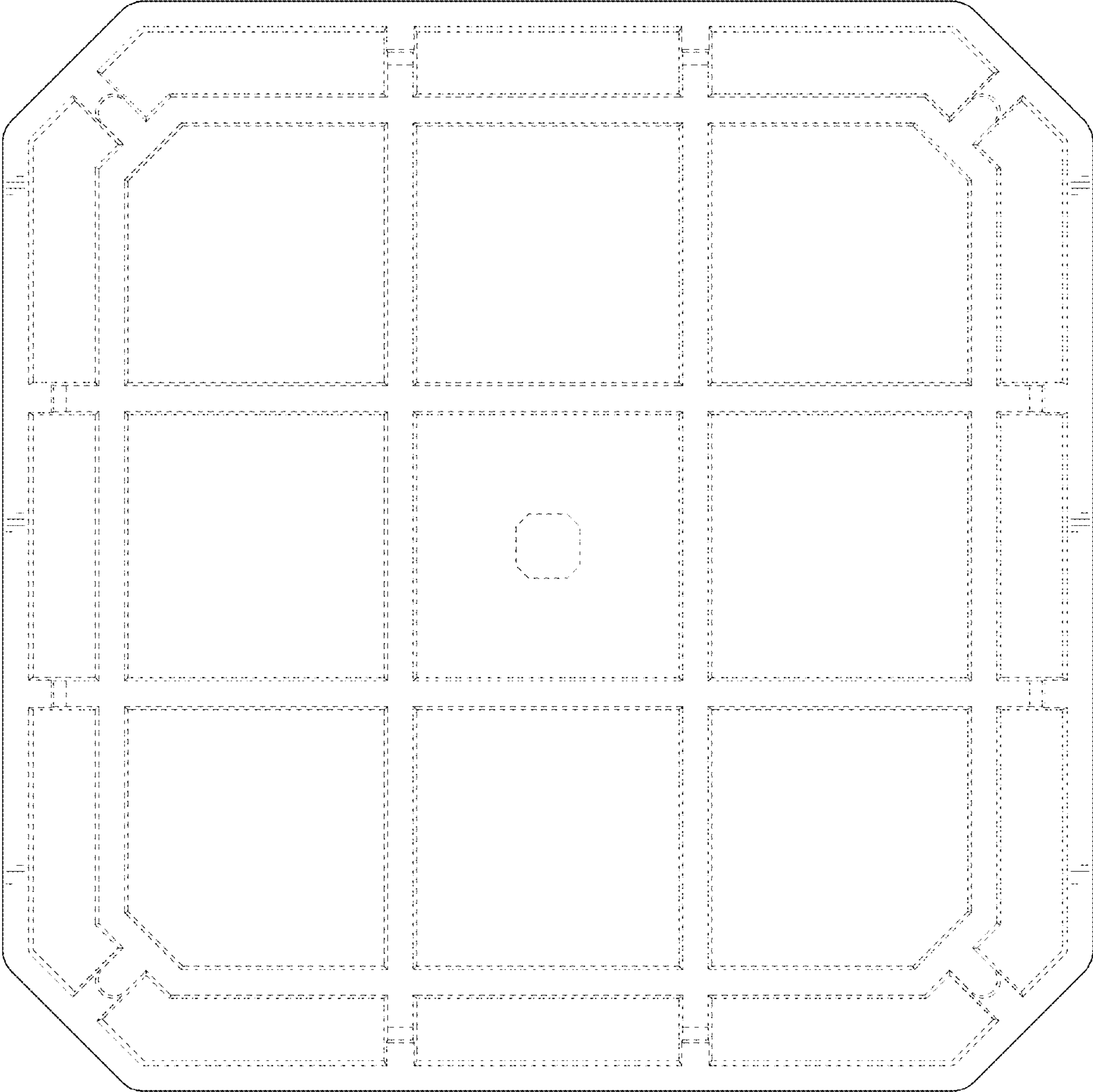


FIG. 24

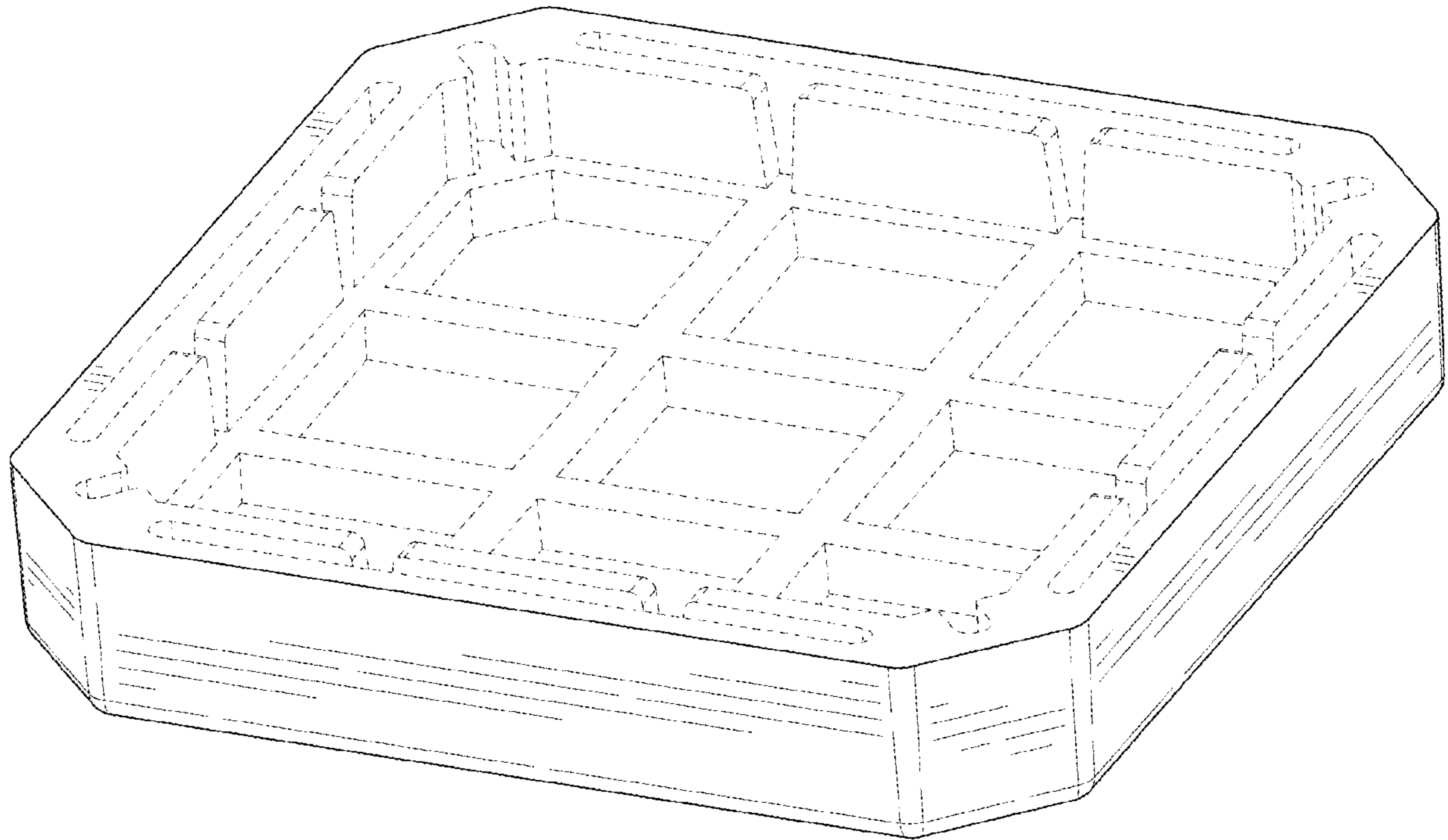


FIG. 25

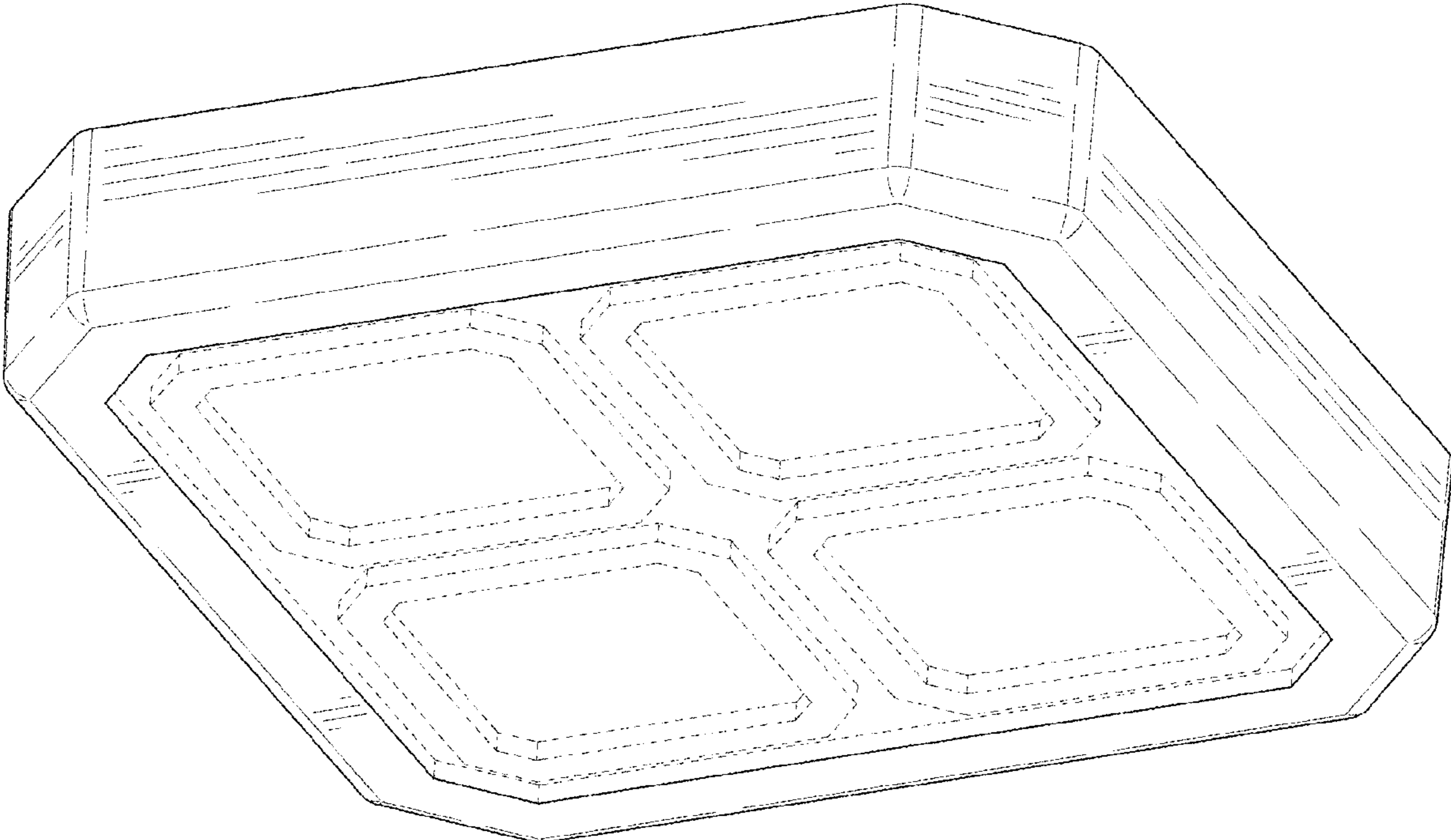


FIG. 26

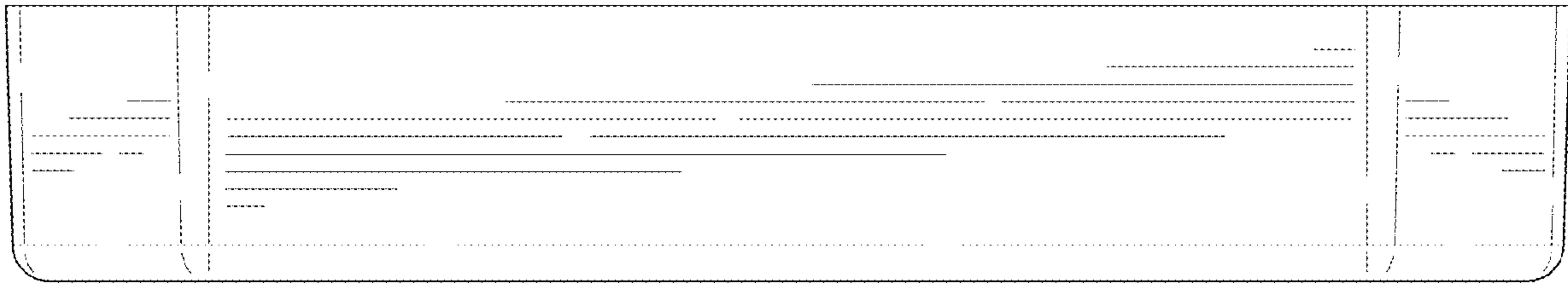


FIG. 27

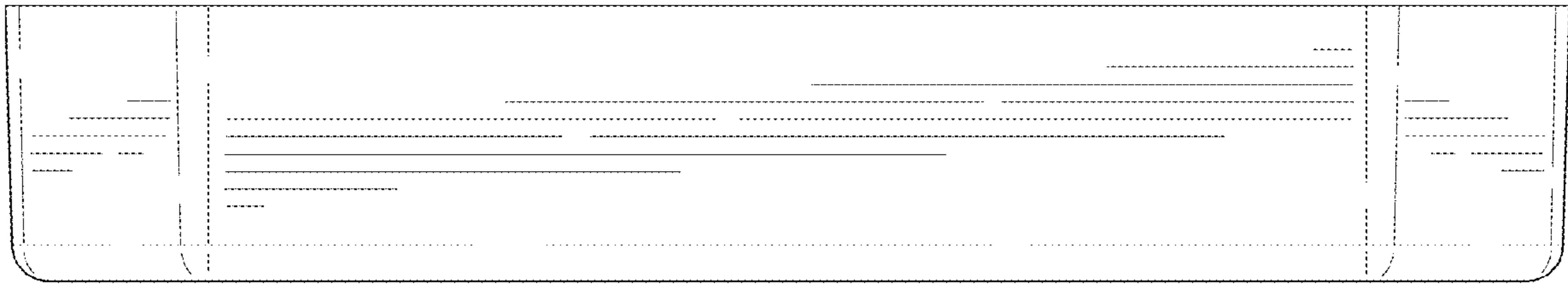


FIG. 28

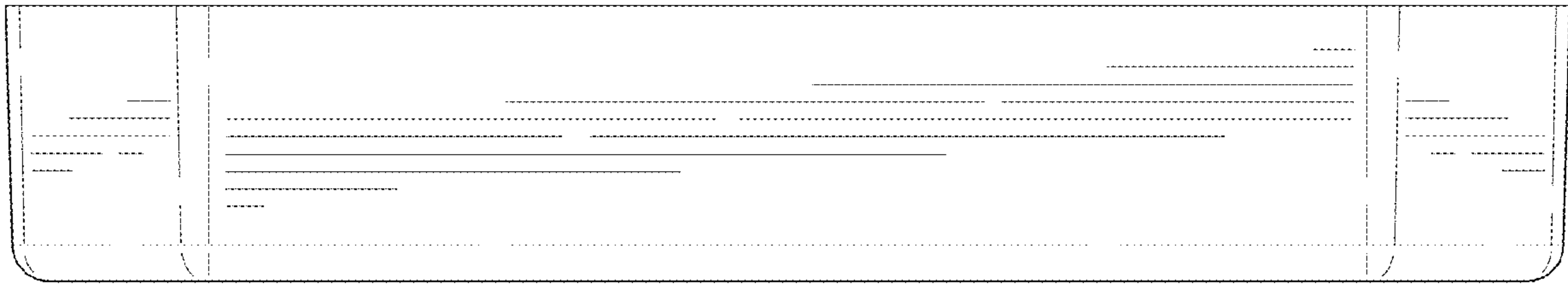


FIG. 29

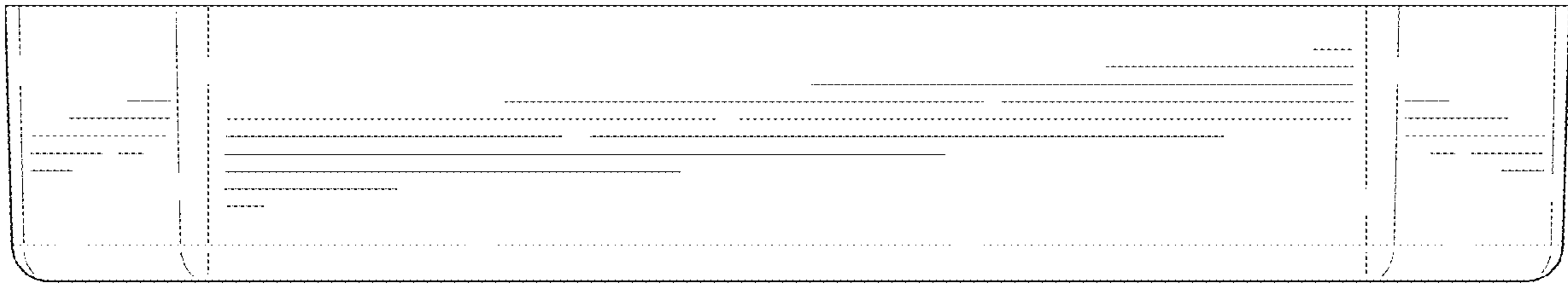


FIG. 30

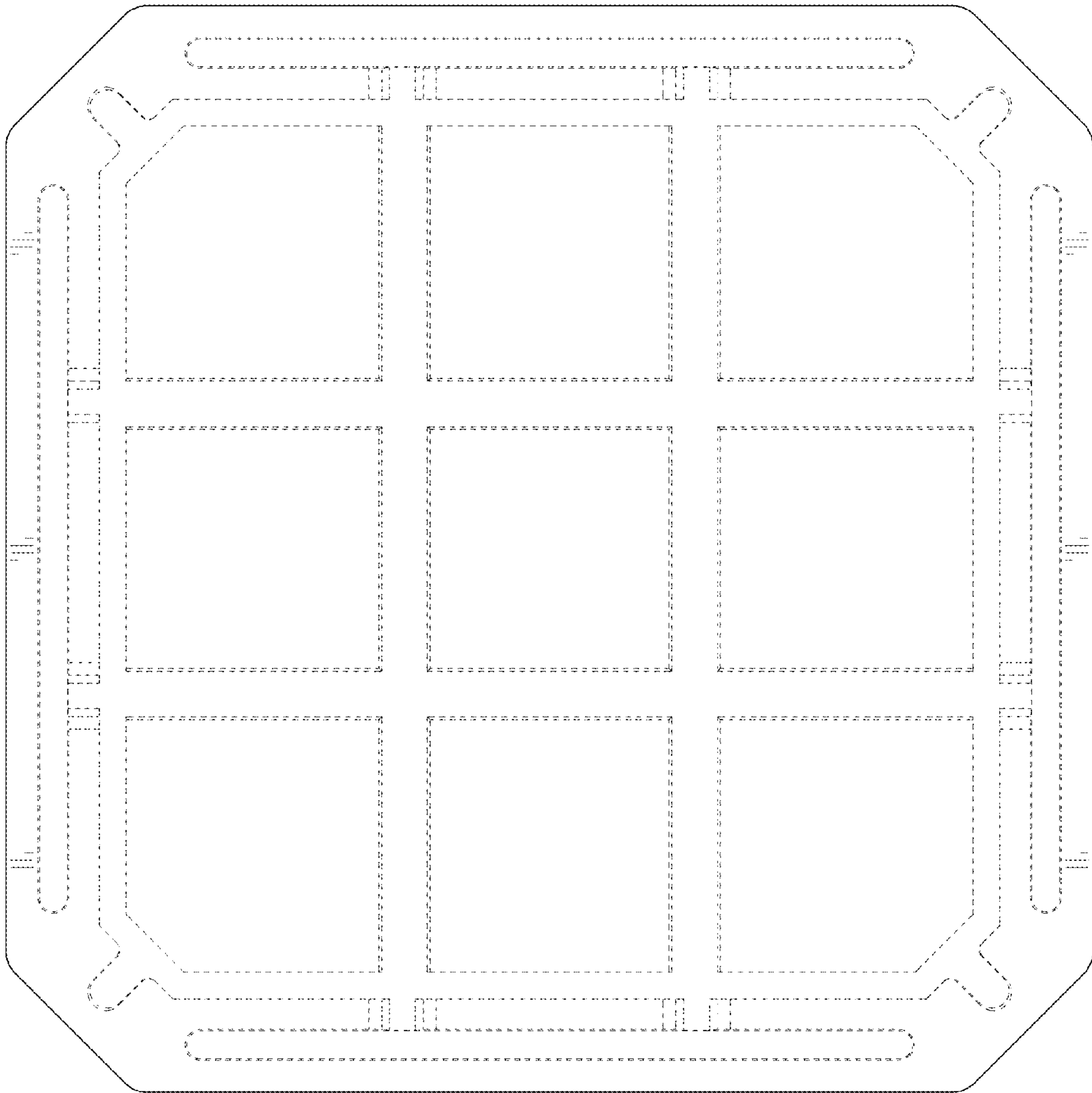


FIG. 31

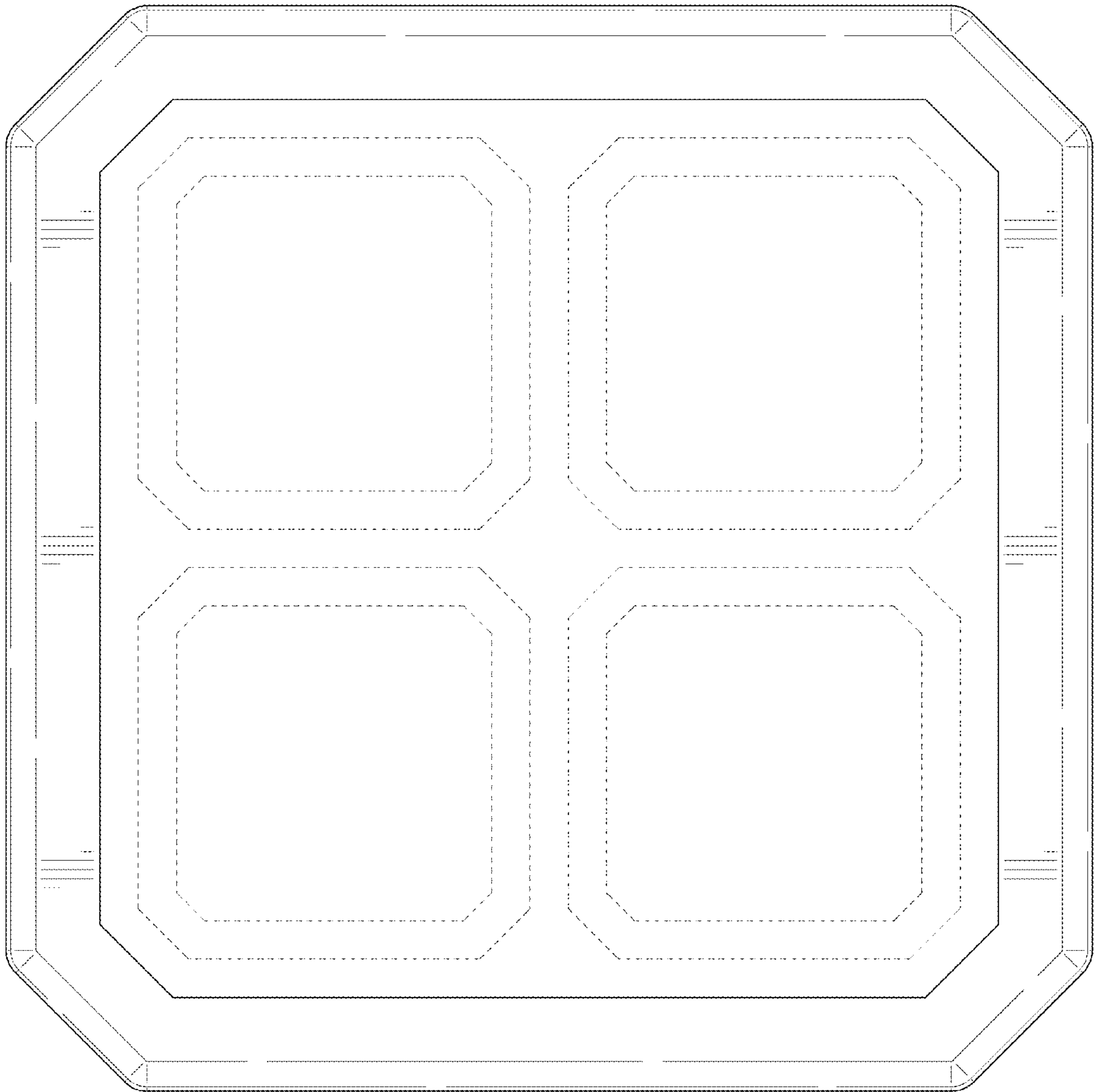


FIG. 32

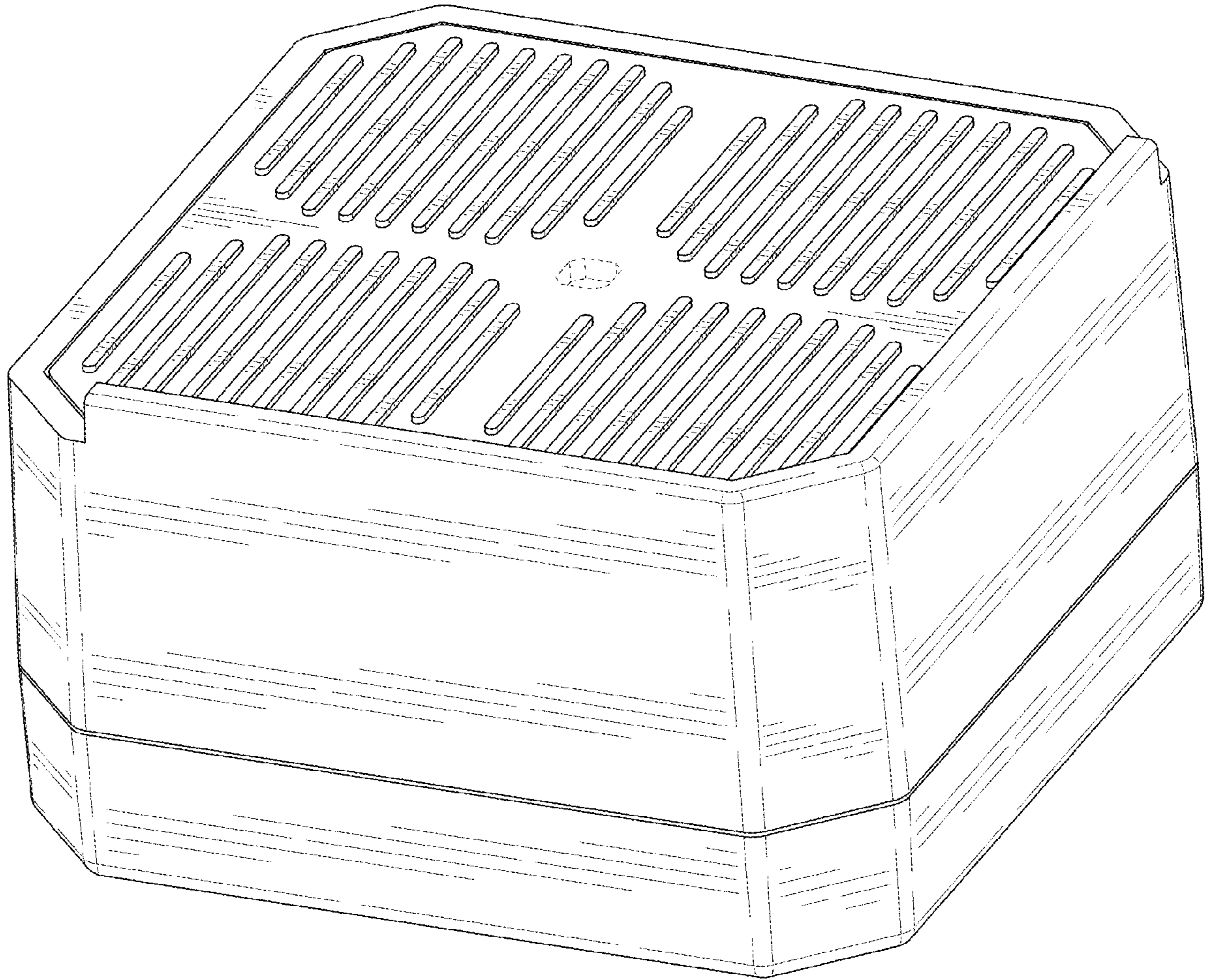


FIG. 33

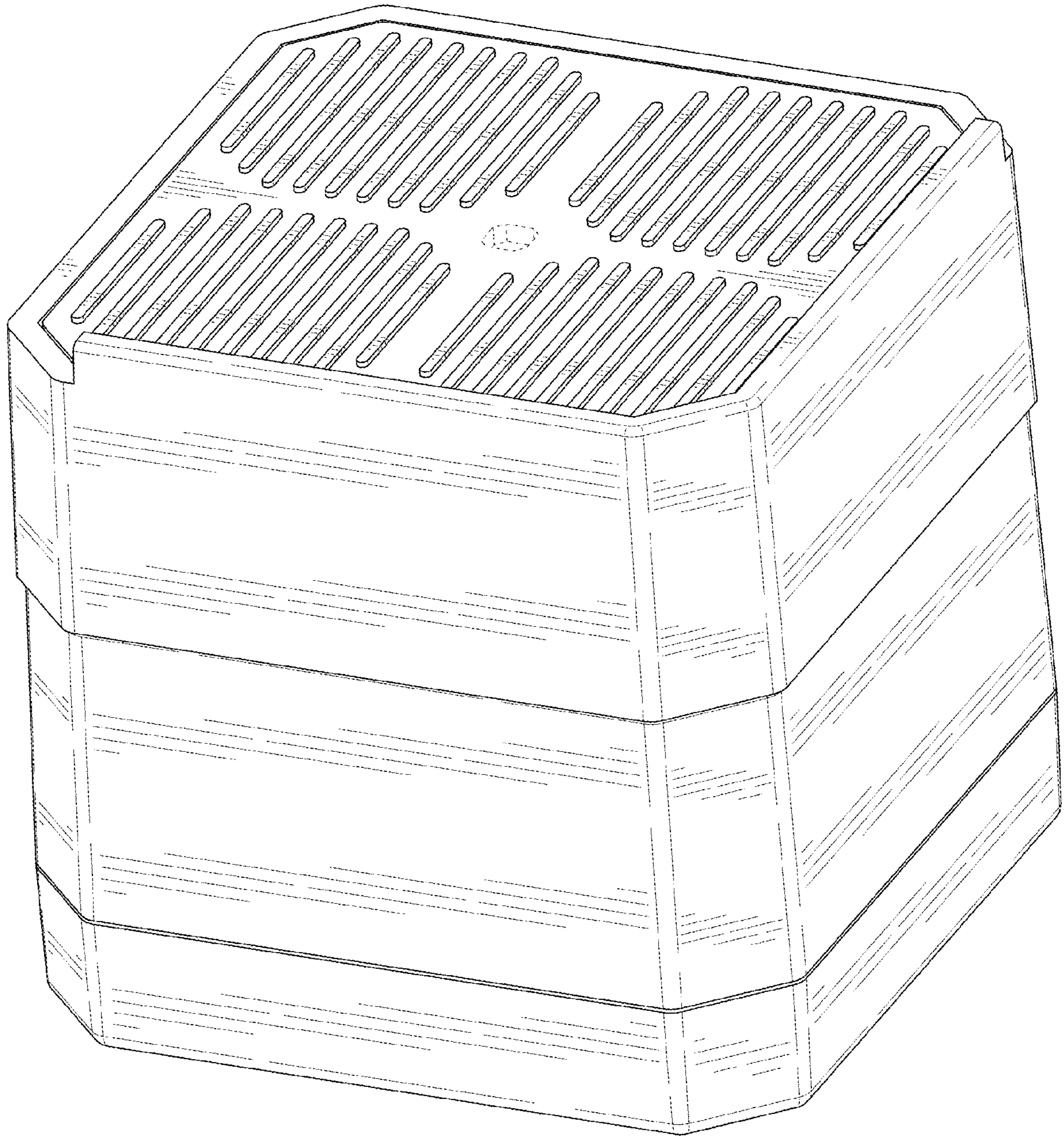


FIG. 34

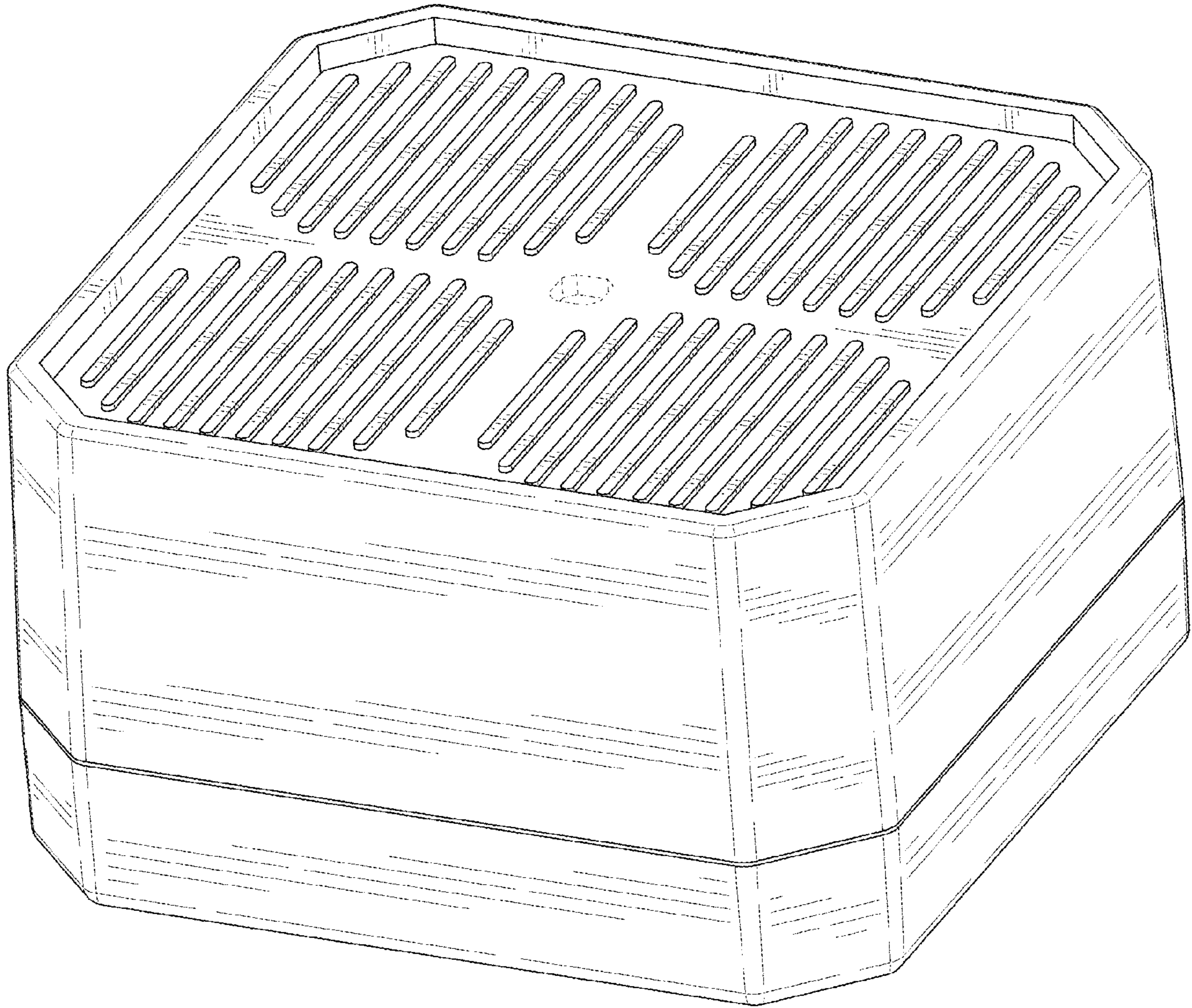


FIG. 35

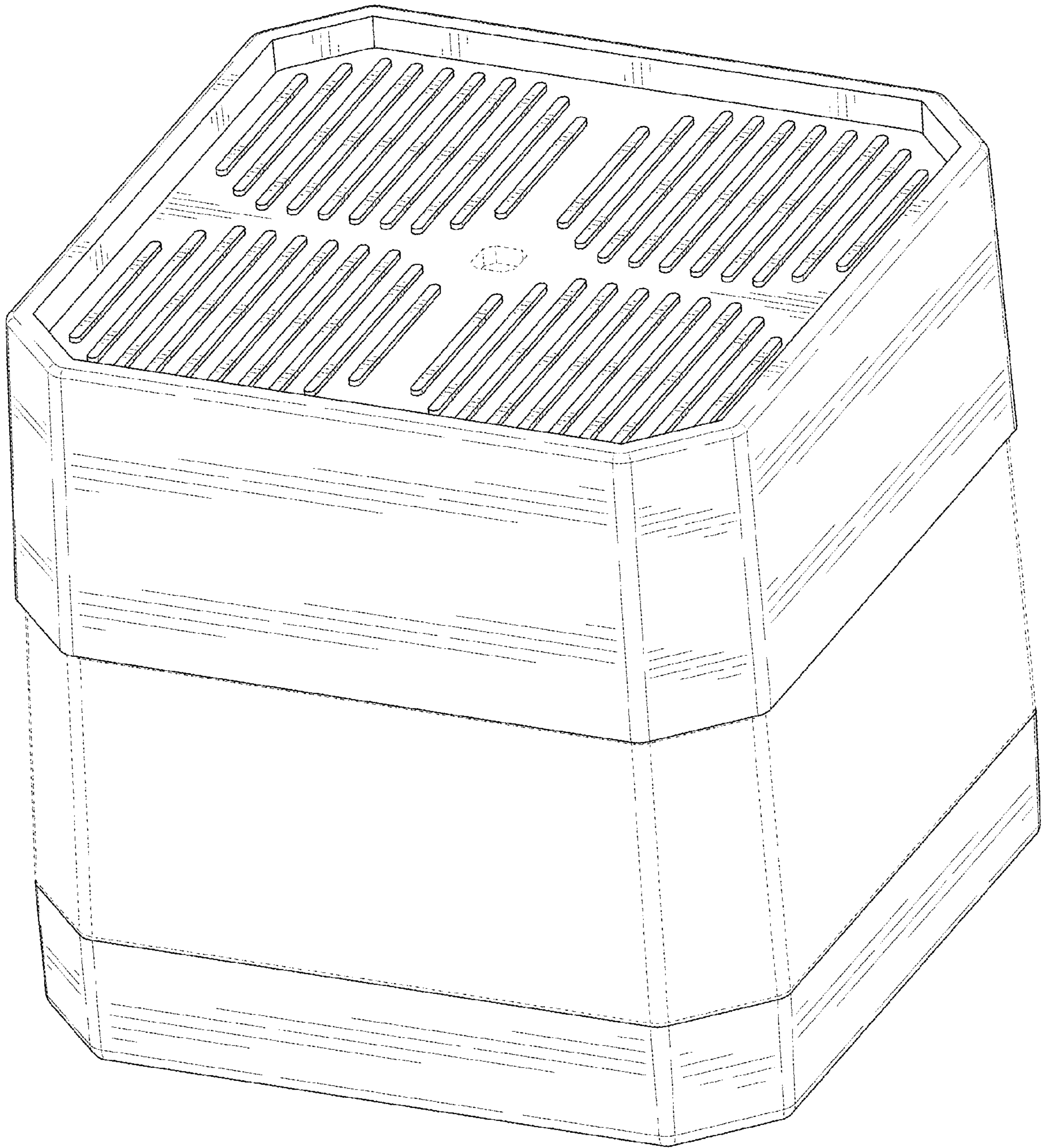


FIG. 36

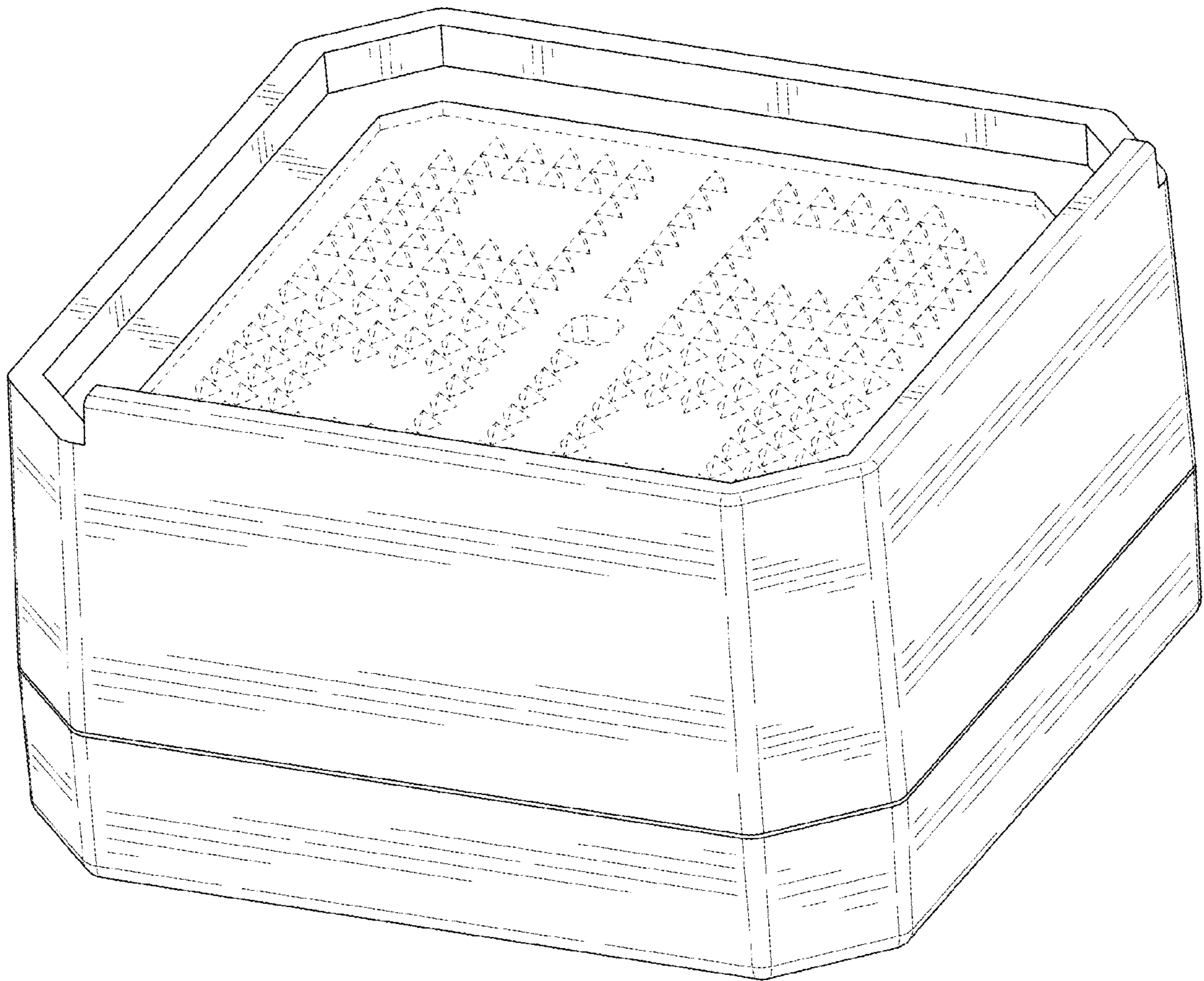


FIG. 37

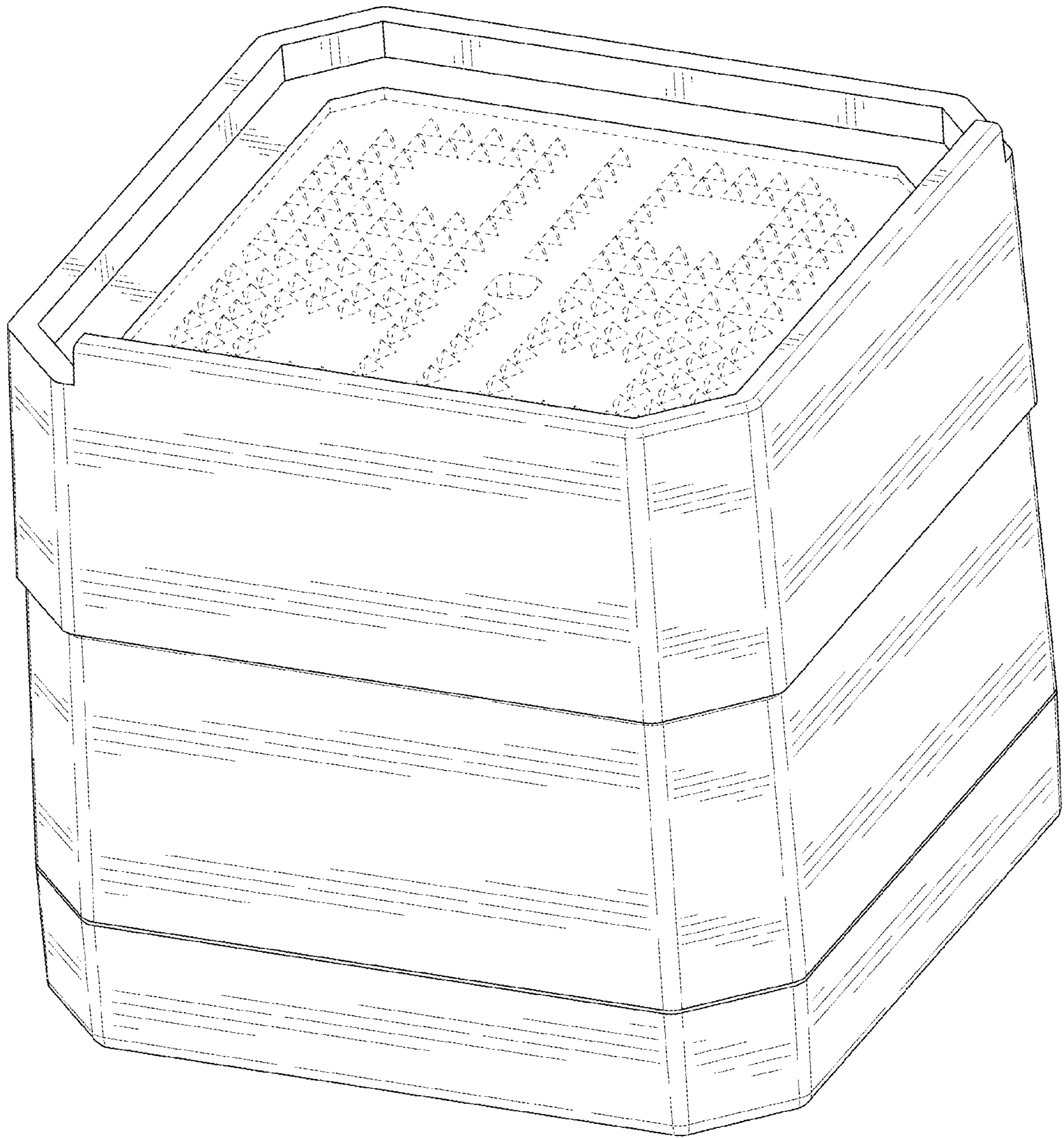


FIG. 38

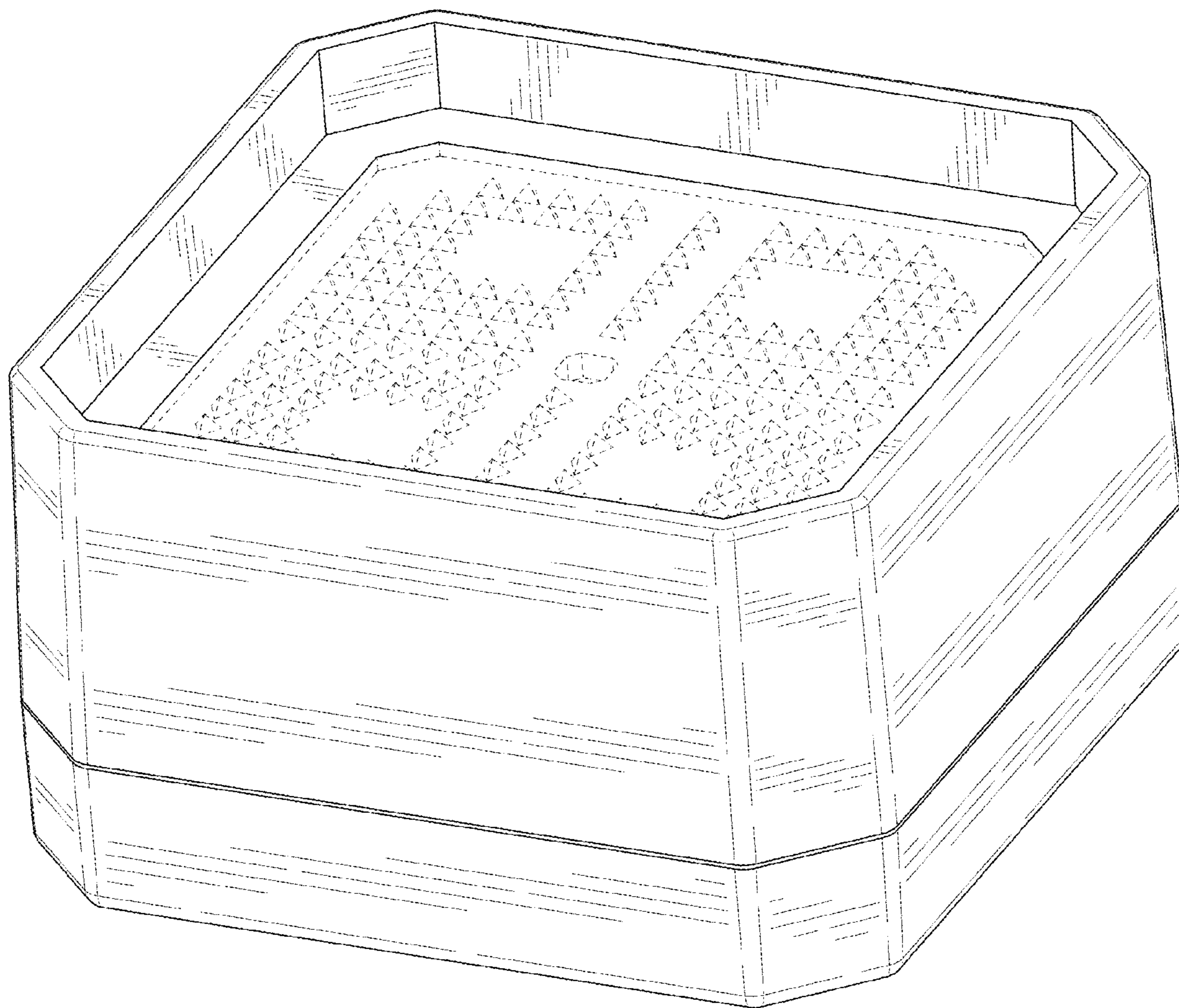


FIG. 39

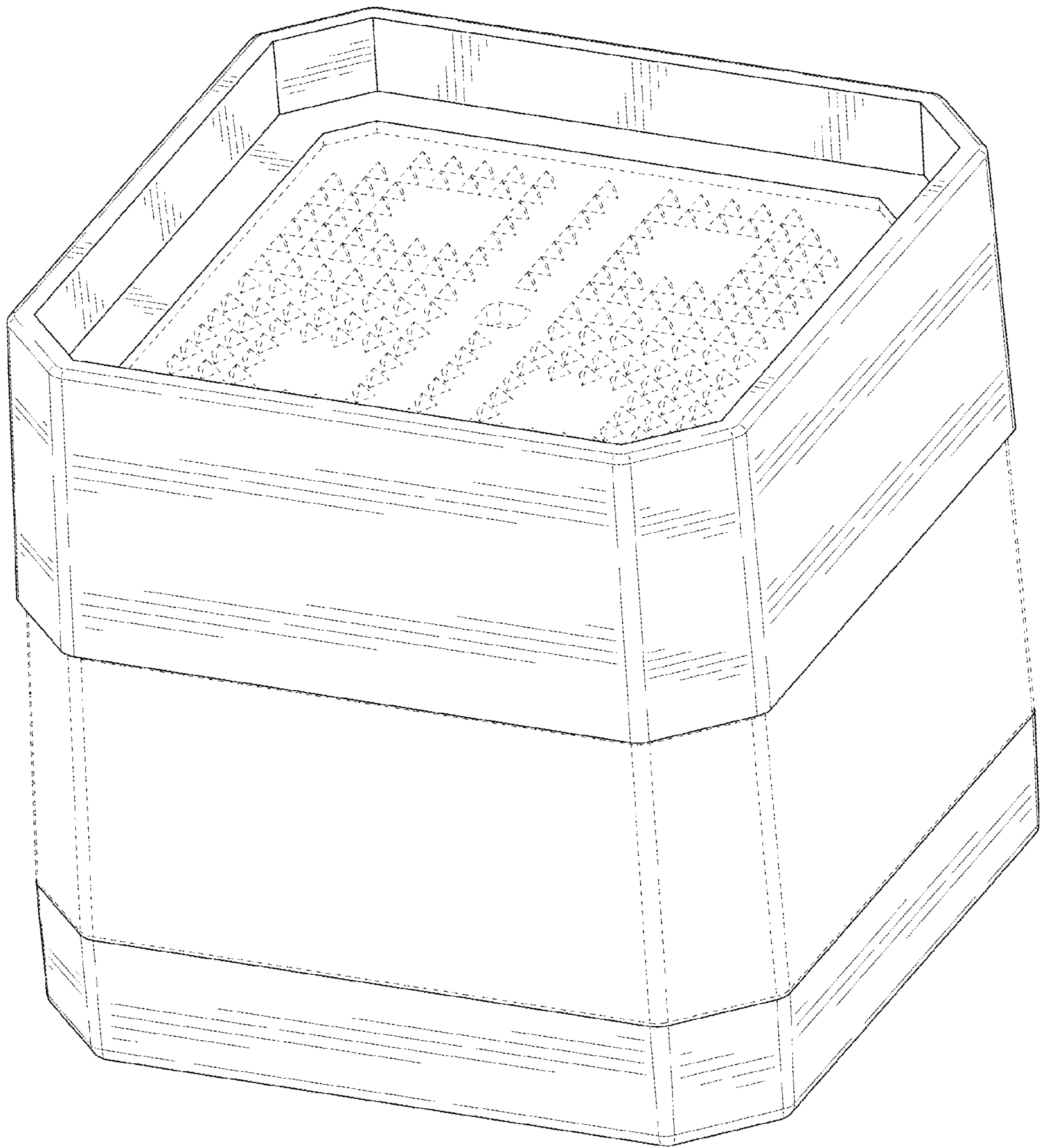


FIG. 40