



US00D964153S

(12) **United States Design Patent** (10) **Patent No.:** **US D964,153 S**  
**Lin** (45) **Date of Patent:** **\*\* Sep. 20, 2022**

(54) **CASTER**  
(71) Applicant: **Xue Lin**, Guiping (CN)  
(72) Inventor: **Xue Lin**, Guiping (CN)  
(\*\*) Term: **15 Years**  
(21) Appl. No.: **29/675,254**  
(22) Filed: **Dec. 29, 2018**  
(51) **LOC (13) Cl.** ..... **08-11**  
(52) **U.S. Cl.**  
USPC ..... **D8/375**  
(58) **Field of Classification Search**  
USPC ..... D8/375, 133, 143, 144, 146, 147, 148,  
D8/153, 138  
CPC ..... B60B 33/0028; B60B 33/001; B60B  
33/0073; B60B 33/049; B60B 33/0057;  
B60B 33/0002; B60B 33/0068; B60B  
66/0039; B60B 33/0021; A47C 7/006  
See application file for complete search history.

(56) **References Cited**

U.S. PATENT DOCUMENTS

|                |         |             |       |                        |
|----------------|---------|-------------|-------|------------------------|
| D355,586 S *   | 2/1995  | Wang        | ..... | D8/375                 |
| D378,657 S *   | 4/1997  | Screen      | ..... | D8/375                 |
| D379,583 S *   | 6/1997  | Mariol      | ..... | D8/375                 |
| D447,682 S *   | 9/2001  | Grabowski   | ..... | D8/375                 |
| D448,278 S *   | 9/2001  | Chi         | ..... | D12/133                |
| D457,810 S *   | 5/2002  | Chi         | ..... | D8/375                 |
| 7,065,827 B2 * | 6/2006  | Hsiao       | ..... | B60B 33/045<br>16/35 D |
| D545,670 S *   | 7/2007  | Ostenrieder | ..... | D8/375                 |
| D557,121 S *   | 12/2007 | Screen      | ..... | D8/375                 |
| D557,123 S *   | 12/2007 | Screen      | ..... | D8/375                 |
| D557,596 S *   | 12/2007 | Screen      | ..... | D8/375                 |
| D557,900 S *   | 12/2007 | Sijmons     | ..... | D3/318                 |
| D570,200 S *   | 6/2008  | Jen         | ..... | D8/375                 |
| D573,452 S *   | 7/2008  | Graffunder  | ..... | D8/375                 |
| D593,400 S *   | 6/2009  | Jones       | ..... | D8/375                 |

|                 |         |           |       |                        |
|-----------------|---------|-----------|-------|------------------------|
| D594,316 S *    | 6/2009  | Rhein     | ..... | D8/375                 |
| D603,690 S *    | 11/2009 | Rhein     | ..... | D8/375                 |
| D639,638 S *    | 6/2011  | Jorgensen | ..... | D8/375                 |
| D662,401 S *    | 6/2012  | Lin       | ..... | D8/375                 |
| D725,459 S *    | 3/2015  | Schulz    | ..... | D8/375                 |
| D731,878 S *    | 6/2015  | Lindsay   | ..... | D8/375                 |
| D733,541 S *    | 7/2015  | Fan       | ..... | D8/375                 |
| D735,022 S *    | 7/2015  | Fan       | ..... | D8/375                 |
| D736,608 S *    | 8/2015  | Fan       | ..... | D8/375                 |
| D739,216 S *    | 9/2015  | Cole      | ..... | D8/375                 |
| 9,340,069 B1 *  | 5/2016  | Cheng     | ..... | B60B 33/0028           |
| D792,198 S *    | 7/2017  | Cmich     | ..... | D8/375                 |
| D823,098 S *    | 7/2018  | Aubin     | ..... | D8/375                 |
| D830,816 S *    | 10/2018 | Chan      | ..... | D8/375                 |
| D856,120 S *    | 8/2019  | Diz       | ..... | B60B 33/0028<br>D8/375 |
| 10,442,246 B2 * | 10/2019 | Barker    | ..... | B60B 33/00             |
| D897,683 S *    | 10/2020 | Chen      | ..... | D8/375                 |
| D901,182 S *    | 11/2020 | Chen      | ..... | D8/375                 |
| D901,283 S *    | 11/2020 | Chen      | ..... | D8/375                 |

(Continued)

*Primary Examiner* — Manpreet S Matharu  
*Assistant Examiner* — Yolanda Robinson

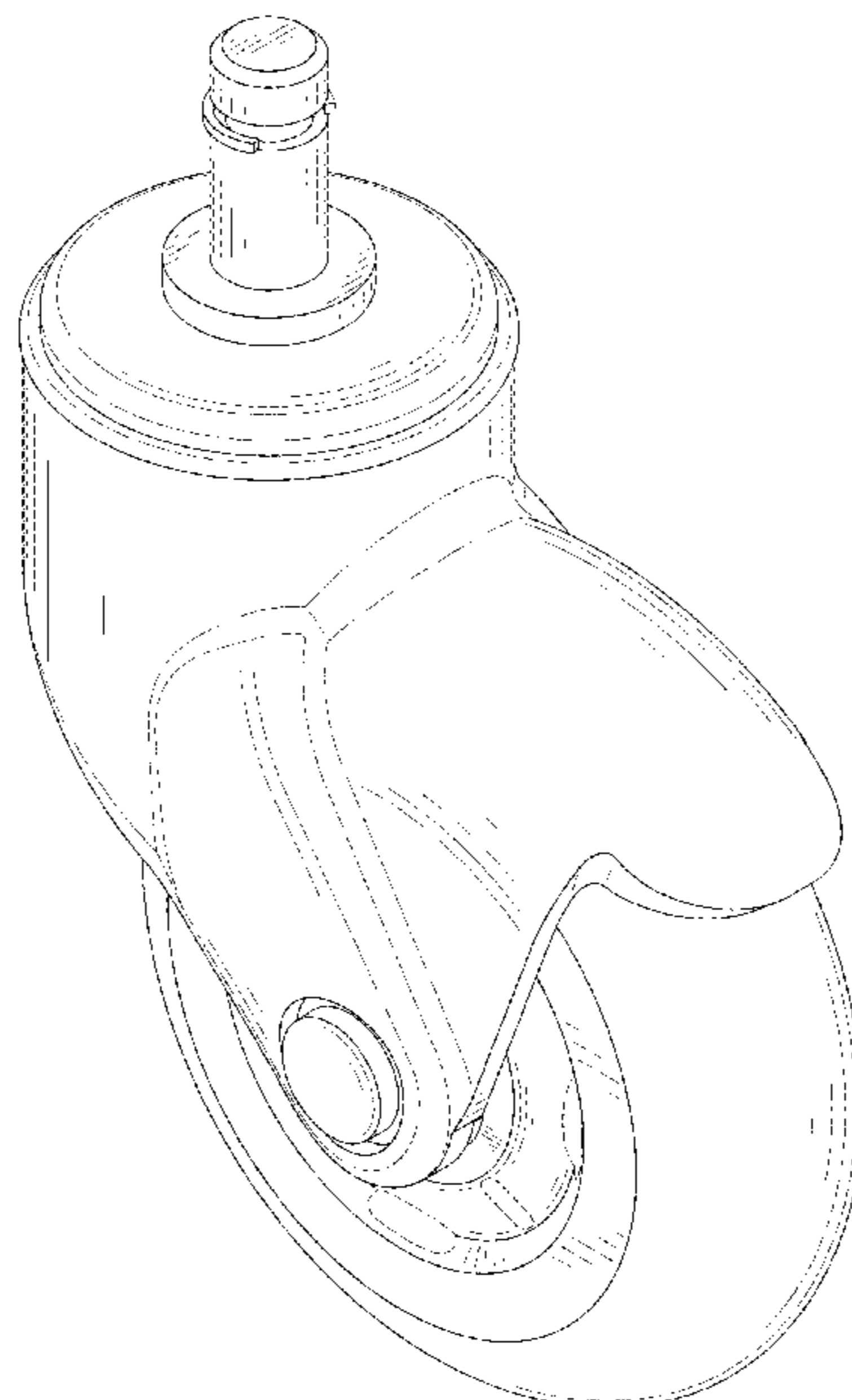
(57) **CLAIM**

The ornamental design for a caster, as shown and described.

**DESCRIPTION**

FIG. 1 is a perspective view of a caster showing my new design;  
FIG. 2 is another perspective view thereof;  
FIG. 3 is a front elevational view thereof;  
FIG. 4 is a rear elevational view thereof;  
FIG. 5 is a left side elevational view thereof;  
FIG. 6 is a right side elevational view thereof;  
FIG. 7 is a top plan view thereof; and,  
FIG. 8 is a bottom plan view thereof.  
The broken lines illustrate portions of the caster that form no part of the claimed design.

**1 Claim, 8 Drawing Sheets**



(56)

**References Cited**

U.S. PATENT DOCUMENTS

D936,466 S \* 11/2021 Hozumi ..... D8/375  
2009/0260181 A1 \* 10/2009 Jones ..... B60B 33/0073  
16/45  
2017/0066121 A1 \* 3/2017 Huang ..... A47C 7/62  
2017/0223927 A1 \* 8/2017 Sanchez Martinez ... A47C 4/00  
2017/0332784 A1 \* 11/2017 Huang ..... A47B 83/045  
2018/0303694 A1 \* 10/2018 Steenstra Toussaint .....  
A47C 7/50  
2019/0322134 A1 \* 10/2019 Savruha ..... B60B 33/0049  
2019/0337334 A1 \* 11/2019 Patmore ..... B60B 33/0036  
2021/0138835 A1 \* 5/2021 Peterson ..... B60B 33/045  
2022/0063742 A1 \* 3/2022 Shockley ..... B62D 63/08

\* cited by examiner

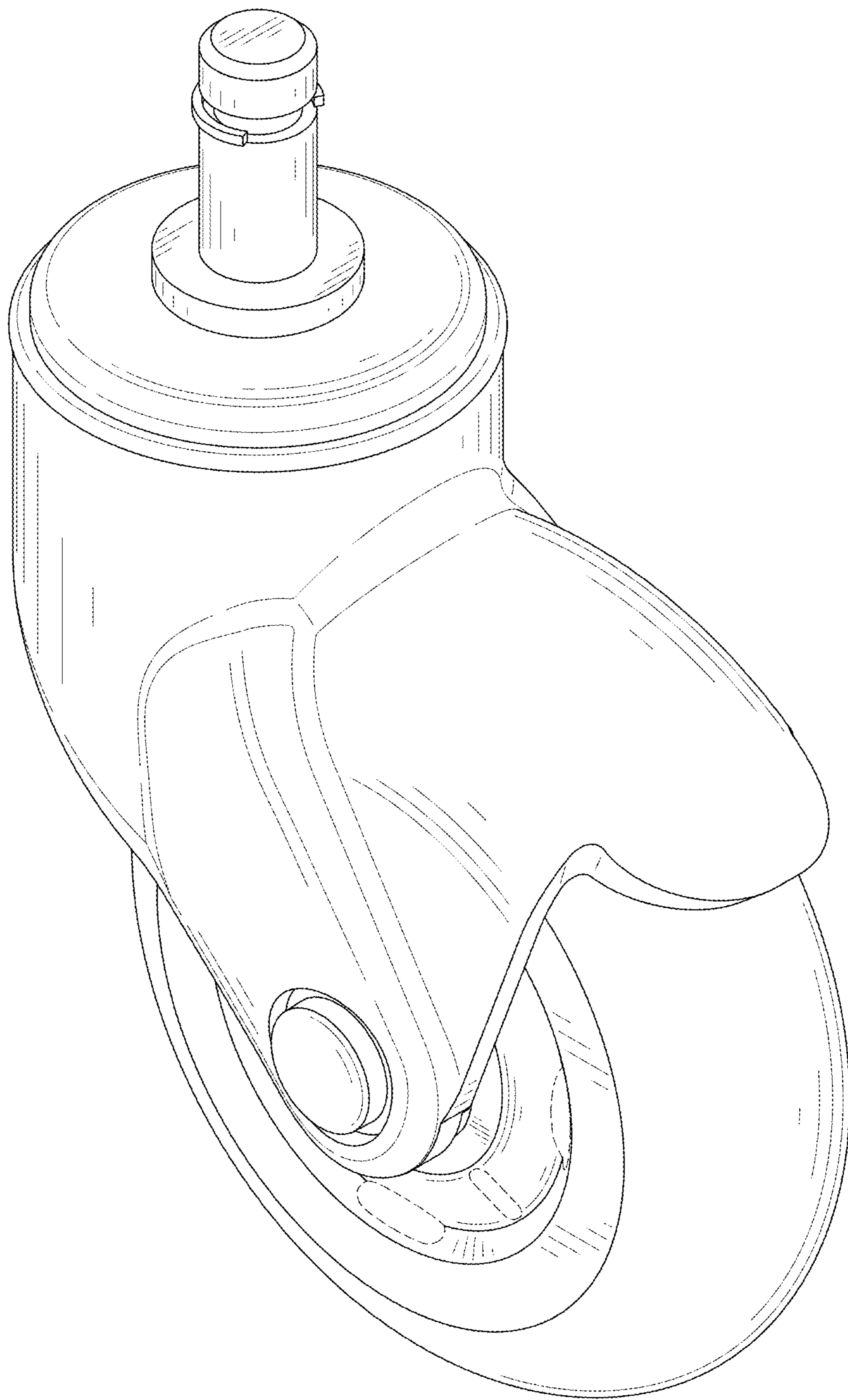


FIG. 1

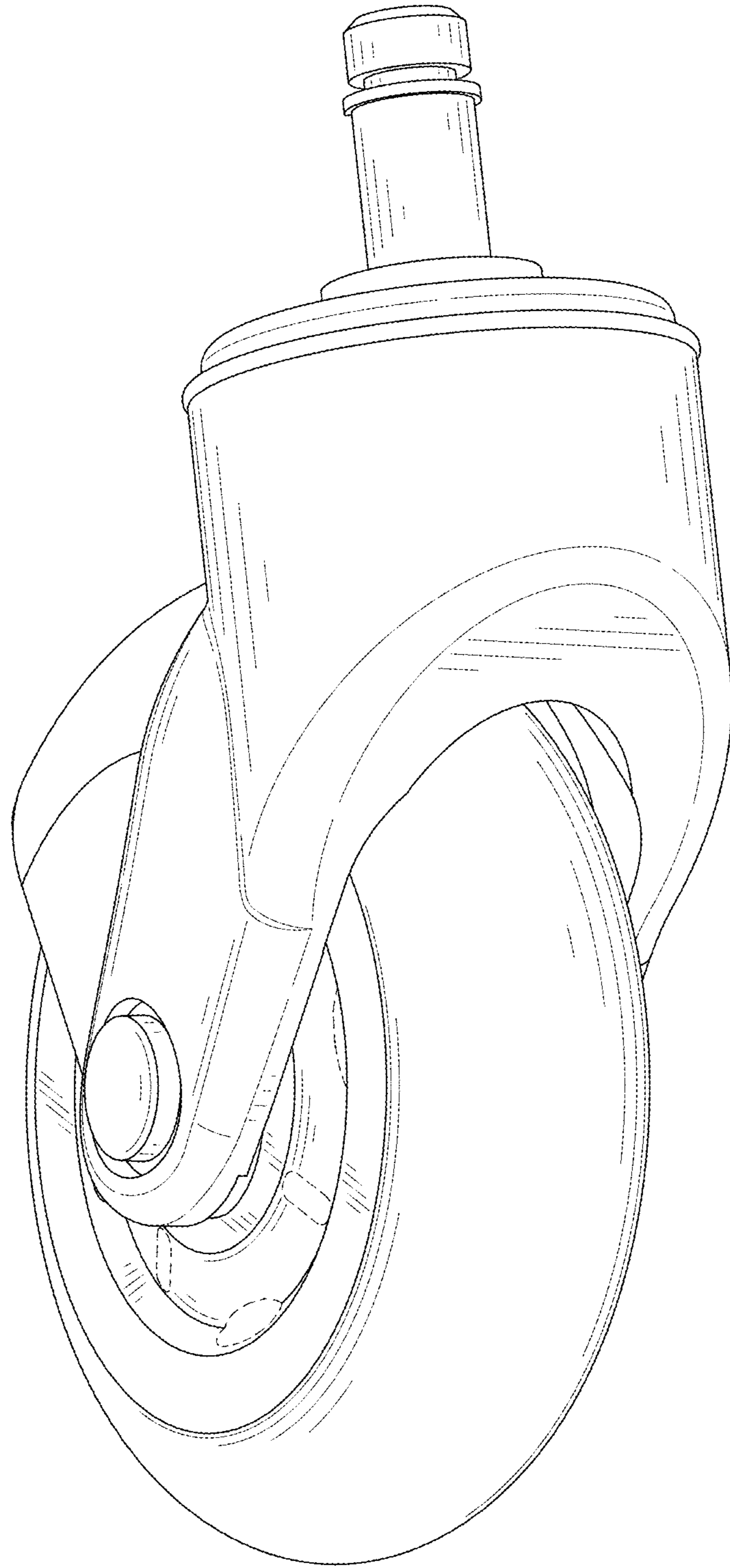


FIG. 2



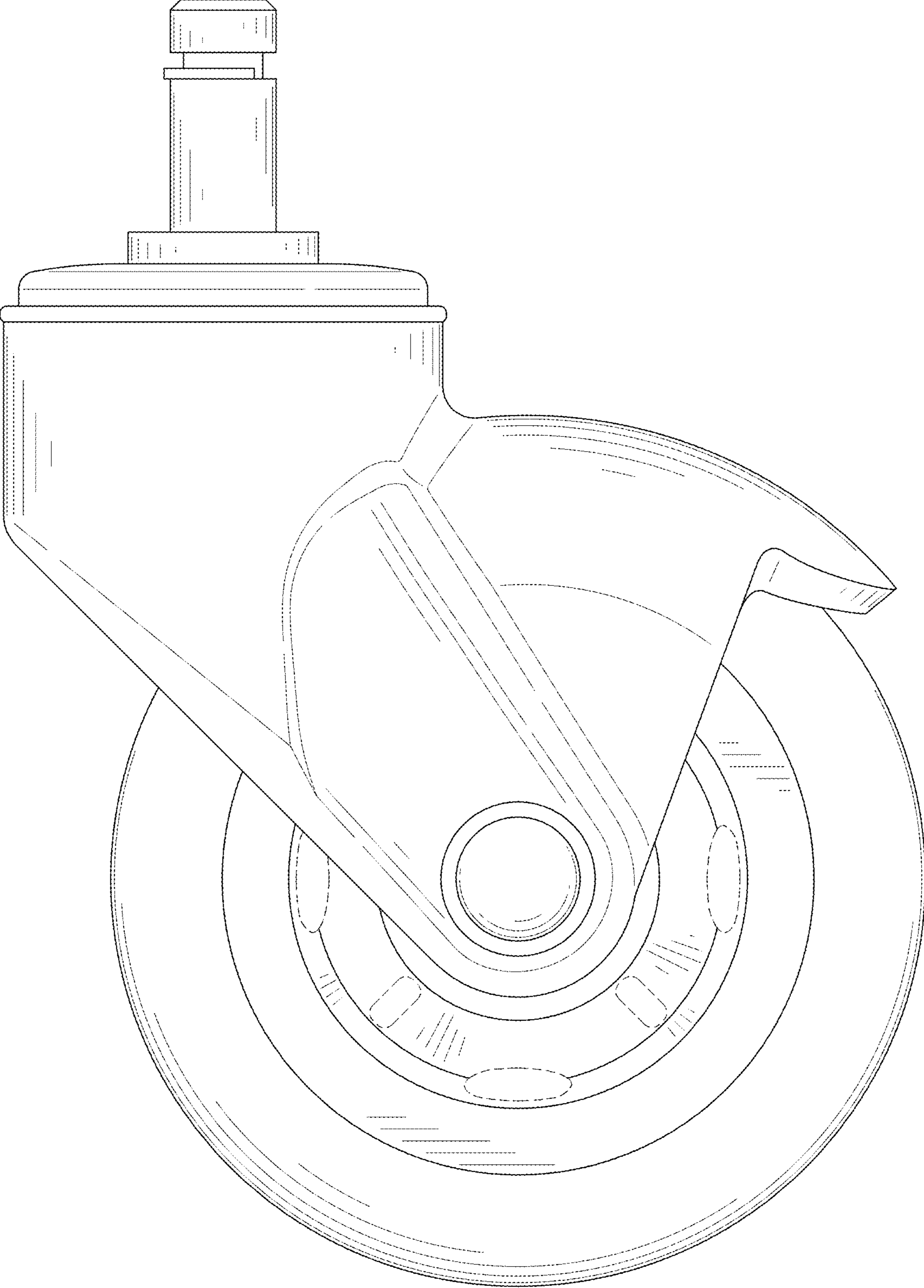


FIG. 3

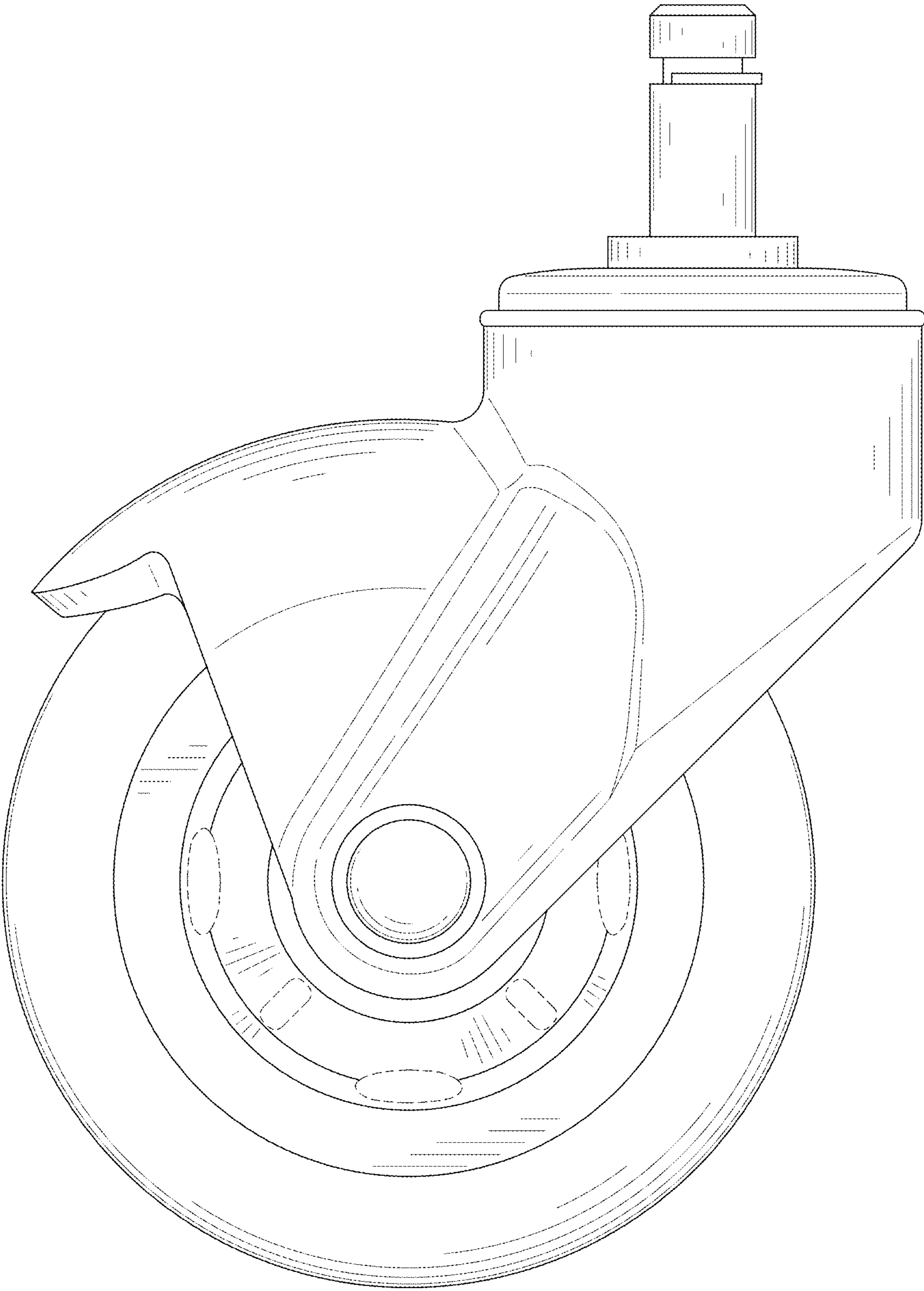


FIG. 4

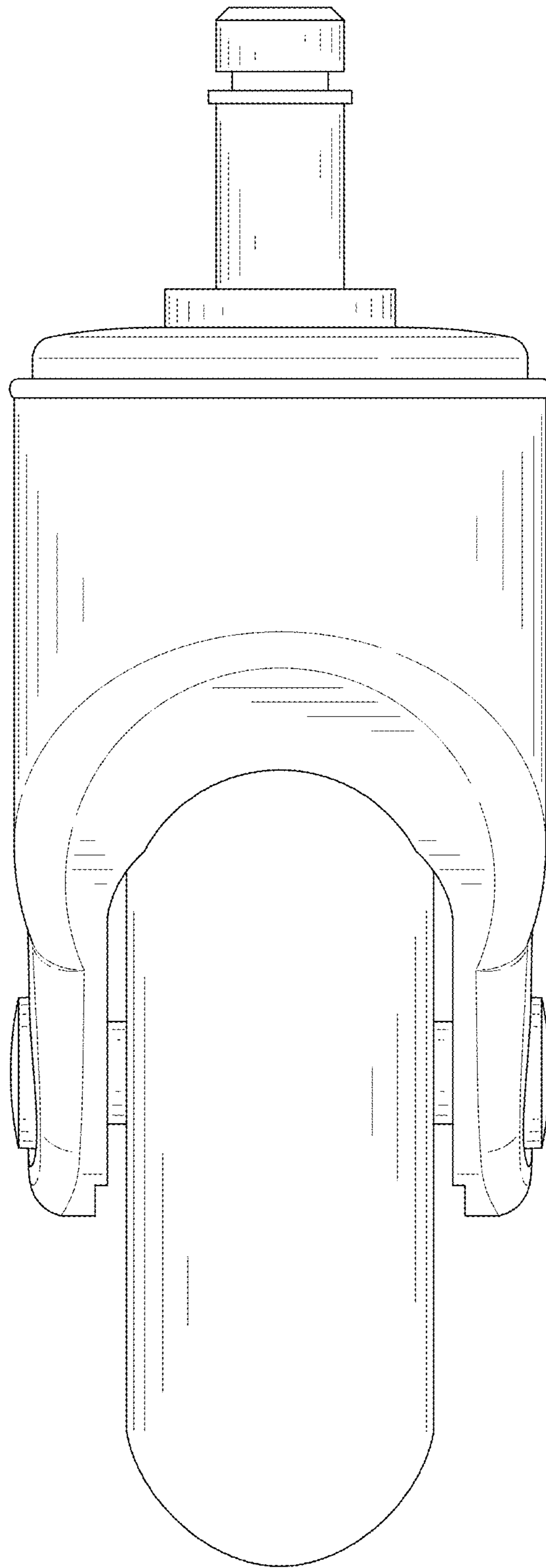


FIG. 5

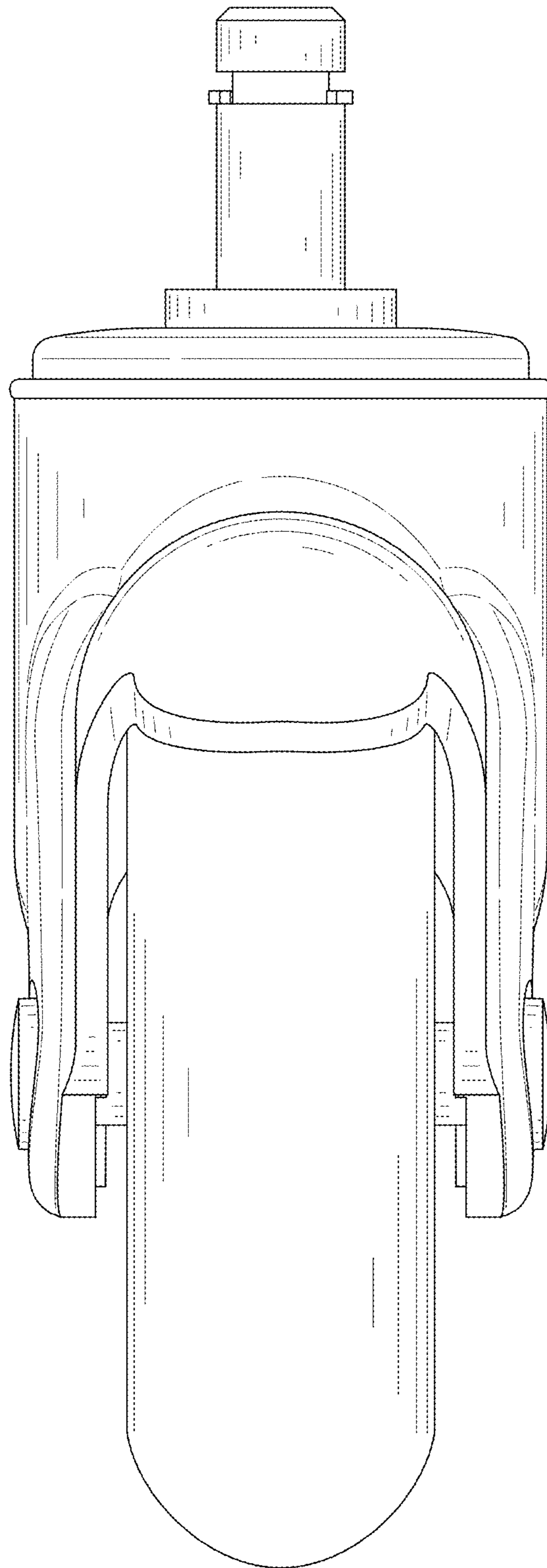


FIG. 6



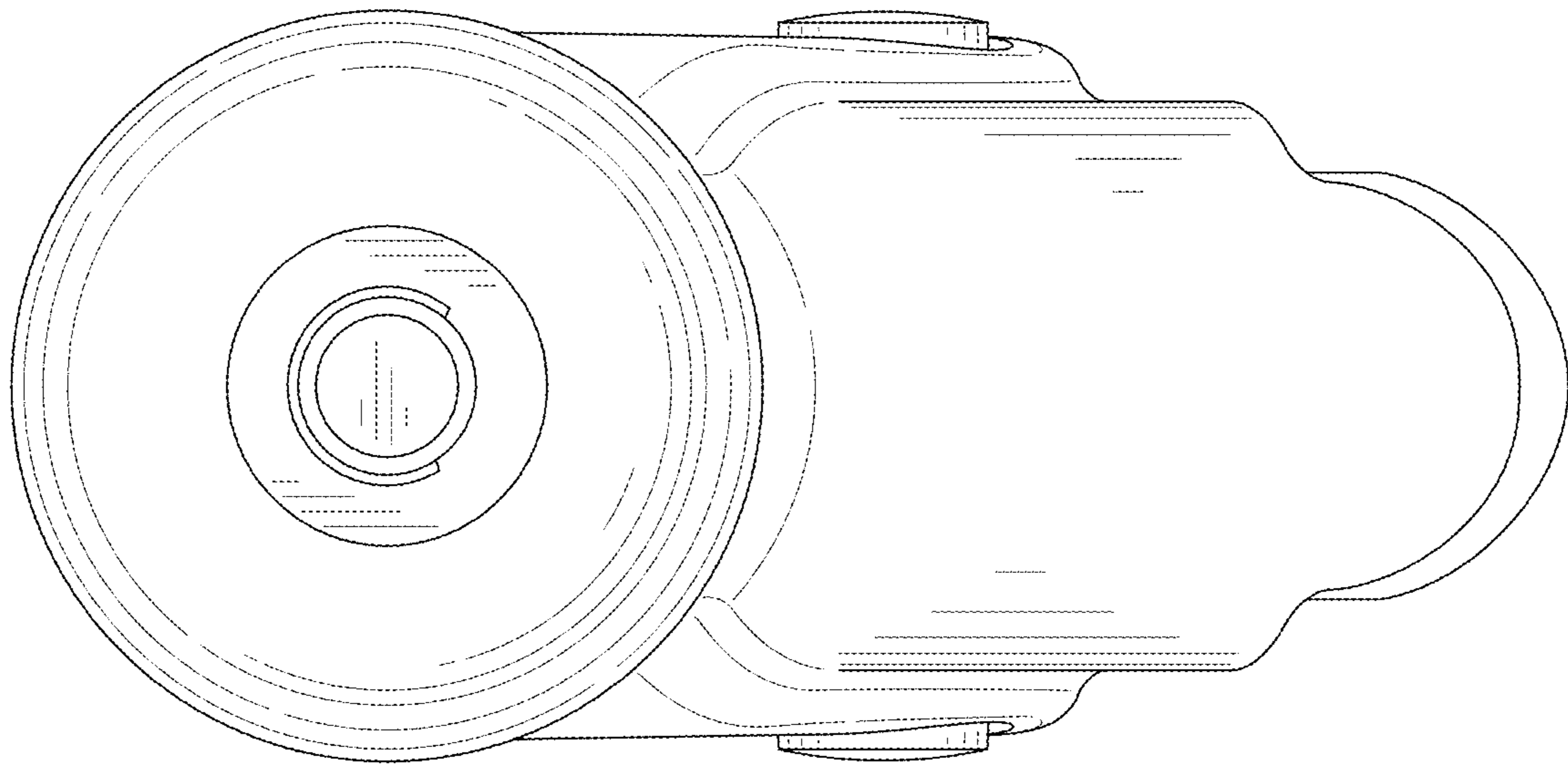


FIG. 7

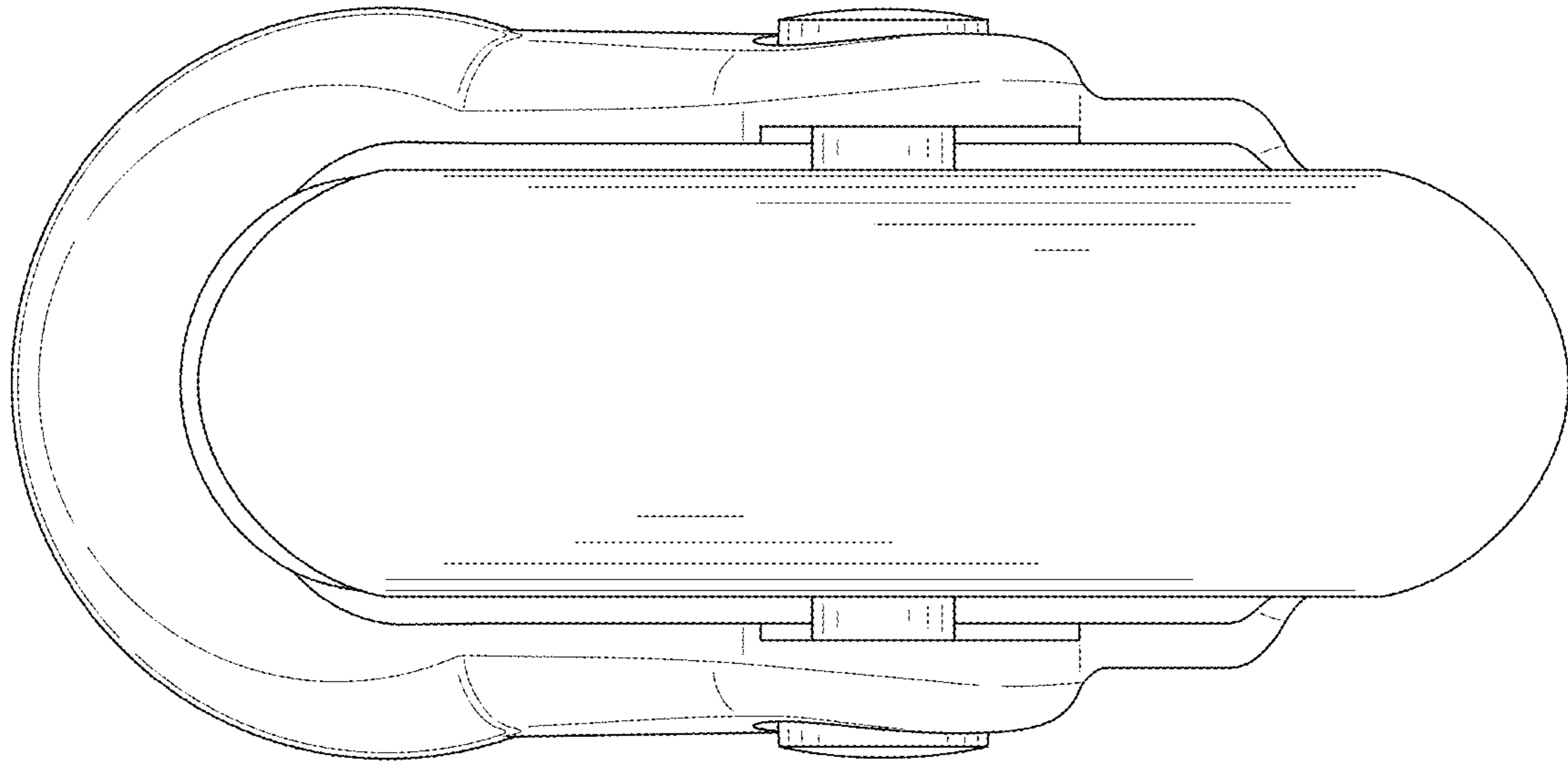


FIG. 8