



US00D964152S

(12) **United States Design Patent**
Yu et al.

(10) **Patent No.:** **US D964,152 S**
(45) **Date of Patent:** **** Sep. 20, 2022**

- (54) **BOW SHACKLE** 2,749,610 A * 6/1956 Welsch B21L 13/00
59/21
- (71) Applicant: **Zhejiang Runva Mechanical & Electrical Co., Ltd, Zhejiang (CN)** 4,074,519 A * 2/1978 Garrett B66C 1/66
294/215
- (72) Inventors: **Zhilin Yu, Zhejiang (CN); Xiaobin Zhang, Zhejiang (CN); Ling Ye, Zhejiang (CN); Ke Ren, Zhejiang (CN); Jianhao Zhu, Zhejiang (CN)** 4,079,584 A * 3/1978 Shahan B21K 1/72
59/35.1
- 4,221,252 A * 9/1980 Bruce F16B 39/04
403/317
- 6,026,663 A * 2/2000 Tsung-Chuan E05B 67/24
70/38 A

(Continued)

(73) Assignee: **Zhejiang Runva Mechanical & Electrical Co., Ltd, Jinhua (CN)**

(**) Term: **15 Years**

(21) Appl. No.: **29/715,853**

(22) Filed: **Dec. 5, 2019**

(30) **Foreign Application Priority Data**

Nov. 4, 2019 (CN) 201930602313.8

(51) **LOC (13) Cl.** **09-06**

(52) **U.S. Cl.**
USPC **D8/356; D8/330; D8/331**

(58) **Field of Classification Search**
USPC D8/330, 331, 334, 333, 343, 356, 373,
D8/354, 355, 349; D6/232; D12/162,
D12/106, 317, 223

CPC G06F 1/1626; G06F 1/1633; G06F 1/1675;
G06F 1/1679; G02F 1/1306; G02F 1/133;
G02F 1/133308; G02F 1/153; G02F
1/1533; G02F 2001/133317; H04M
1/185; H04M 1/0252; H04B 1/3888;
F16G 15/06; F16G 15/04; B66C 1/34;
B66C 1/72; B21K 1/72

See application file for complete search history.

(56) **References Cited**

U.S. PATENT DOCUMENTS

125,744 A * 4/1872 Low F16G 15/06
59/86

245,448 A * 8/1881 Church F16G 15/06
411/351

OTHER PUBLICATIONS

GearAmerica UBER Shackles with Anti-Theft Lock, by Amazon. Dated Mar. 8, 2016. found online [May 25, 2022] <https://www.amazon.com/GearAmerica-Shackles-Strength-UBERLock-Security/dp/B07V6Z85HJ?source=ps-sl-shoppingads-lpcontext&smid=A22KOYMSDF6KFD&th=1>.*

(Continued)

Primary Examiner — Marissa J Cash
Assistant Examiner — Kayla Marie Bennett

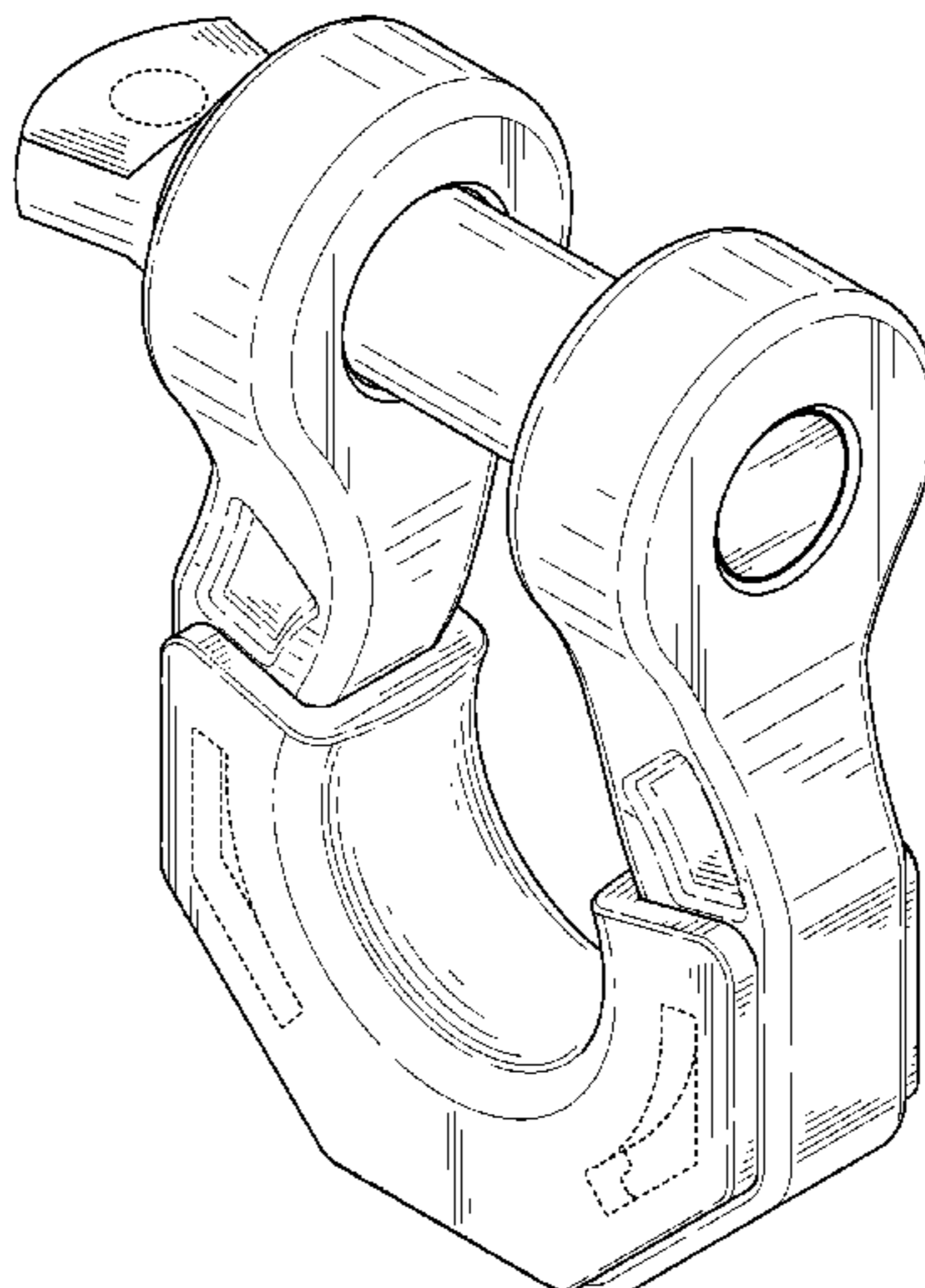
(57) **CLAIM**

The ornamental design for a bow shackle, as shown and described.

DESCRIPTION

FIG. 1 is a top, front and right side perspective view of a bow shackle showing our new design;
FIG. 2 is a bottom, rear and left side perspective view thereof;
FIG. 3 is a front elevational view thereof;
FIG. 4 is a rear elevational view thereof;
FIG. 5 is a left side view thereof;
FIG. 6 is a right side view thereof;
FIG. 7 is a top plan view thereof; and,
FIG. 8 is a bottom plan view thereof.
The broken lines in the drawings illustrate portions of the bow shackle which form no part of the claimed design.

1 Claim, 8 Drawing Sheets



(56)

References Cited

U.S. PATENT DOCUMENTS

7,540,140 B1 * 6/2009 Diaz F16G 15/06
70/52
D708,042 S * 7/2014 Moreau D8/339
D757,518 S * 5/2016 Najarro D8/339
9,726,255 B1 * 8/2017 Tarrant B66C 1/10
9,890,831 B1 * 2/2018 Flesch F16G 15/04
D953,845 S * 6/2022 Schmidt D8/356
2004/0060189 A1 * 4/2004 Cookson G01B 3/20
33/806
2012/0159987 A1 * 6/2012 Walchle A44C 5/18
63/3.2
2012/0201599 A1 * 8/2012 Reppen F16G 15/06
403/348
2013/0074469 A1 * 3/2013 Robins F16G 15/06
59/86
2018/0201483 A1 * 7/2018 Pickersgill B66C 1/34
2020/0224747 A1 * 7/2020 Seale F16G 15/06
2022/0120334 A1 * 4/2022 Duke F16G 15/06

OTHER PUBLICATIONS

Forged D-Ring Shackle Set, by Rough Country. Dated Jan. 24, 2021. found on online [May 25, 2022] https://www.roughcountry.com/forged-d-ring-set-rs122c.html?gclid=EAIaIQobChMI1ITH3N_49wIV9P_jBx0A9QGJEAQYCyABEgLFKfD_BwE#92=402&utm_source=google&utm_medium=cpcs&utm_campaign=1686557678169533904201&utm_content=327717.*

* cited by examiner

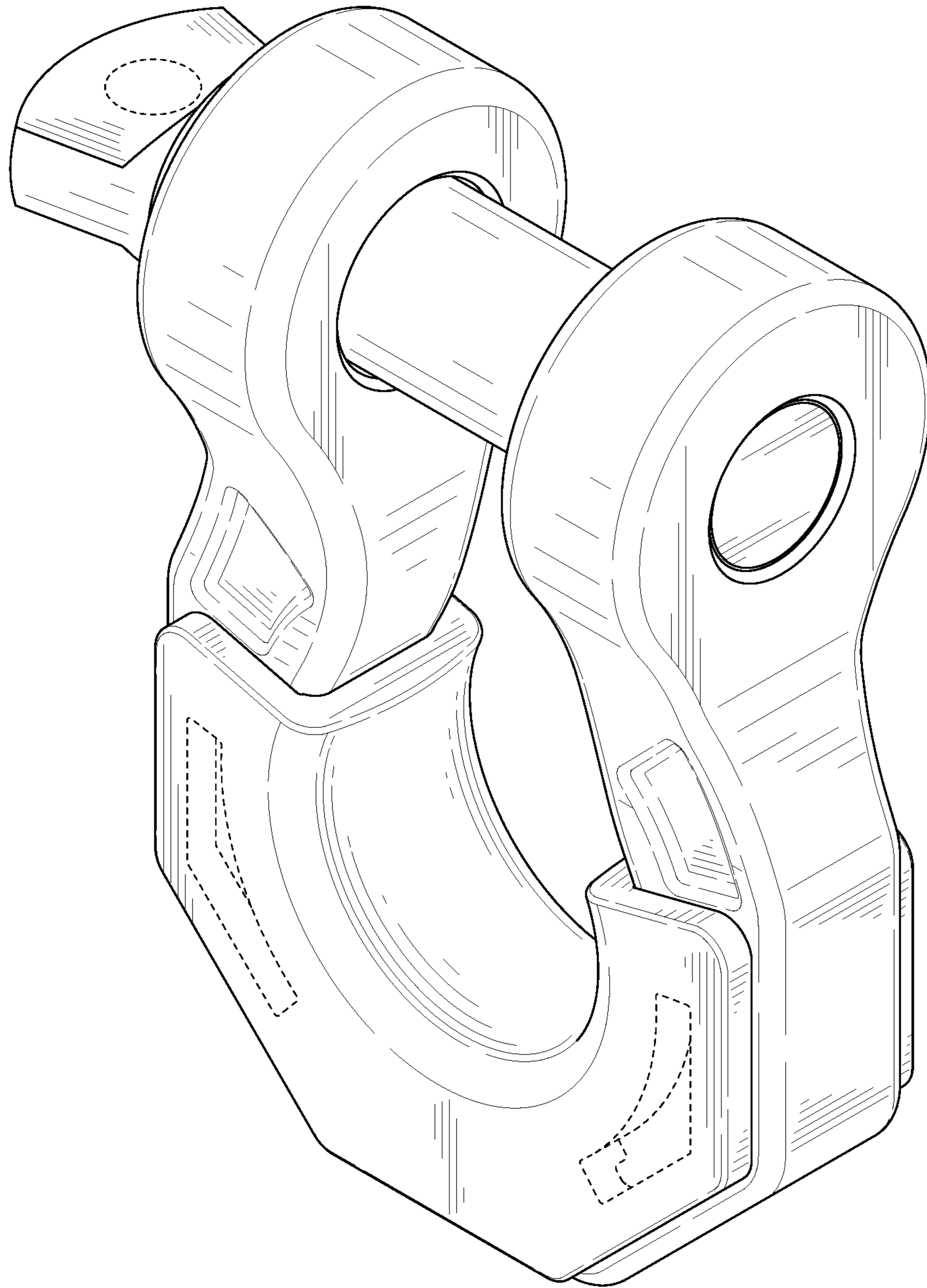


FIG. 1

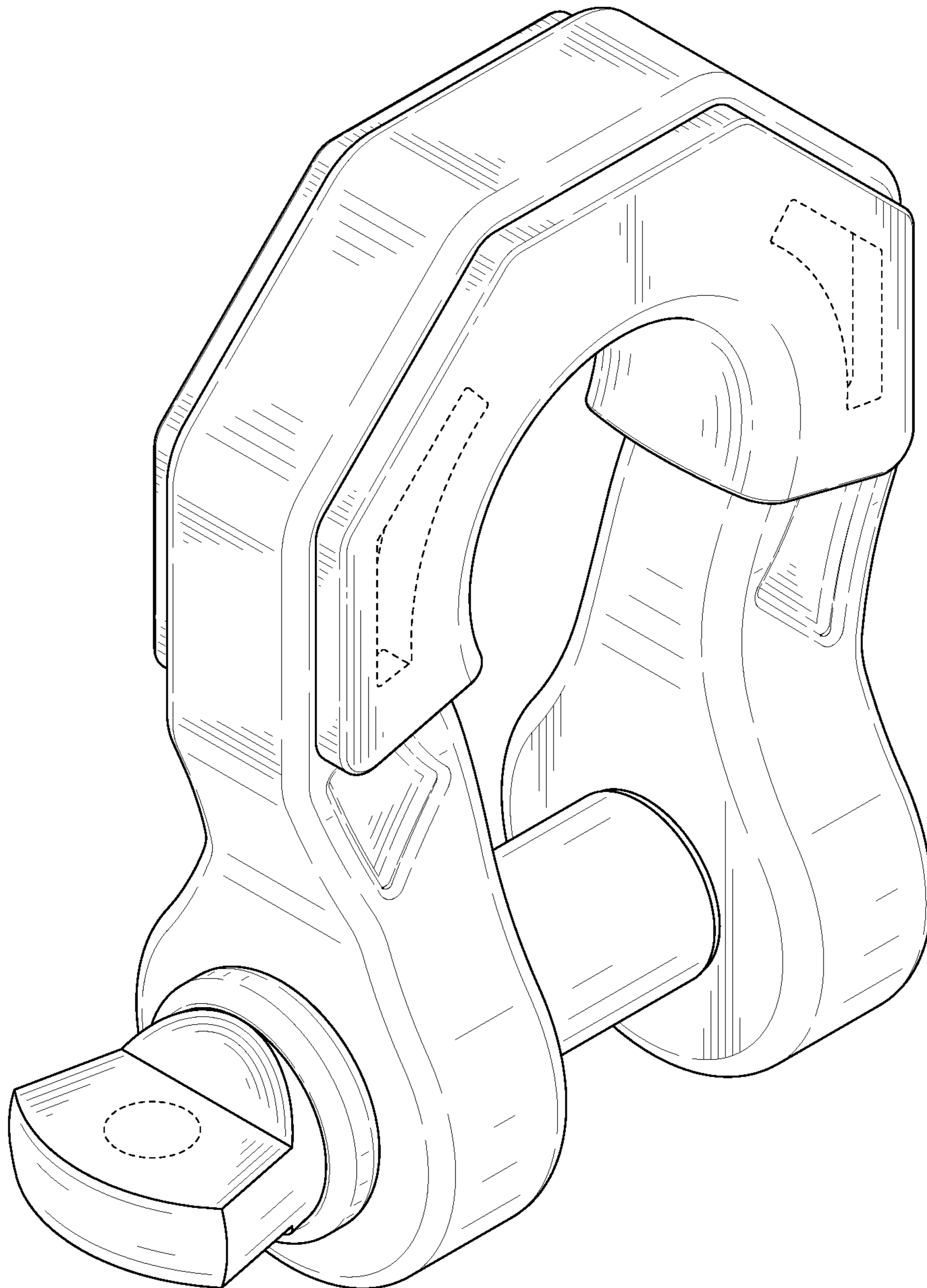


FIG. 2

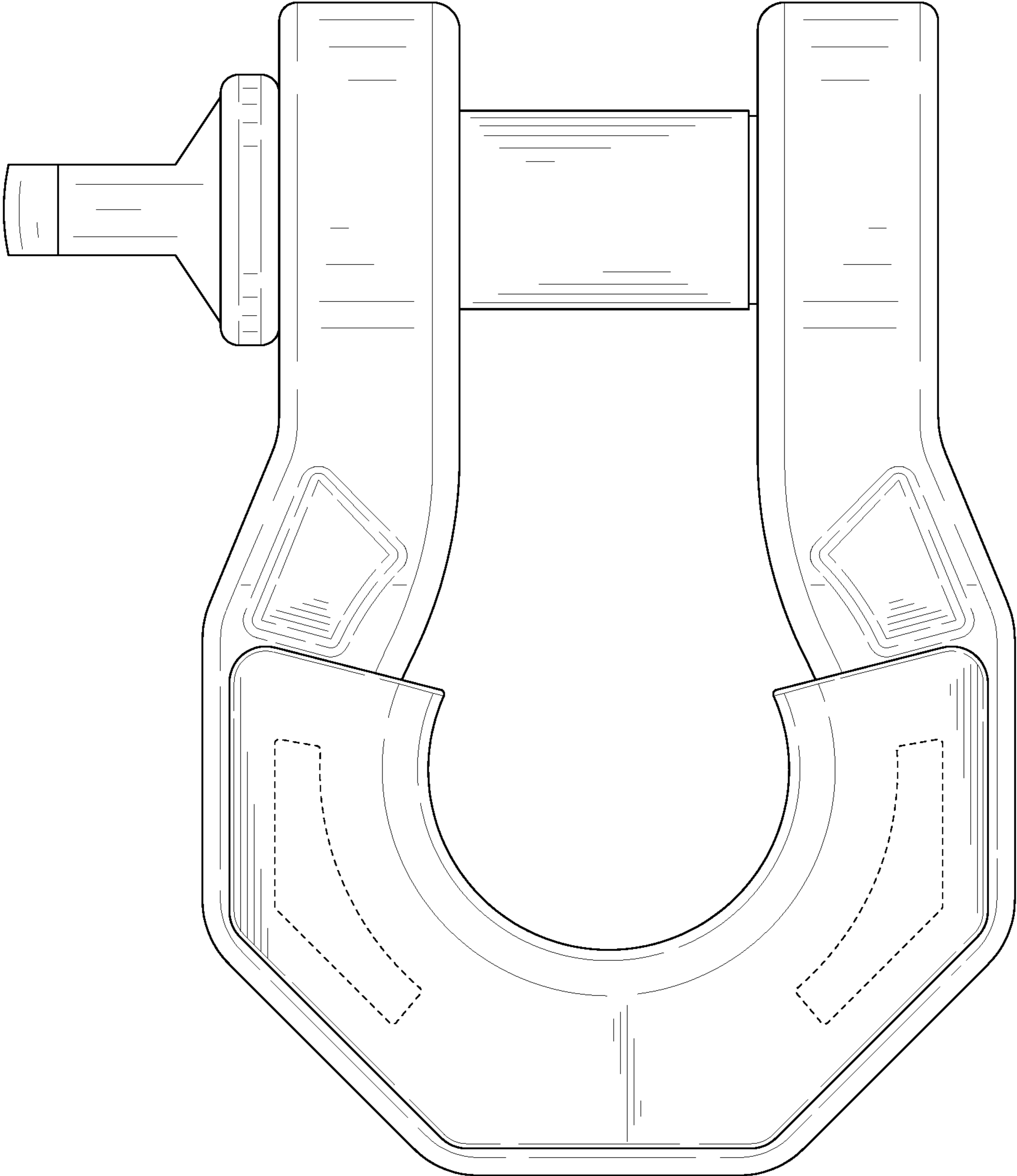


FIG. 3

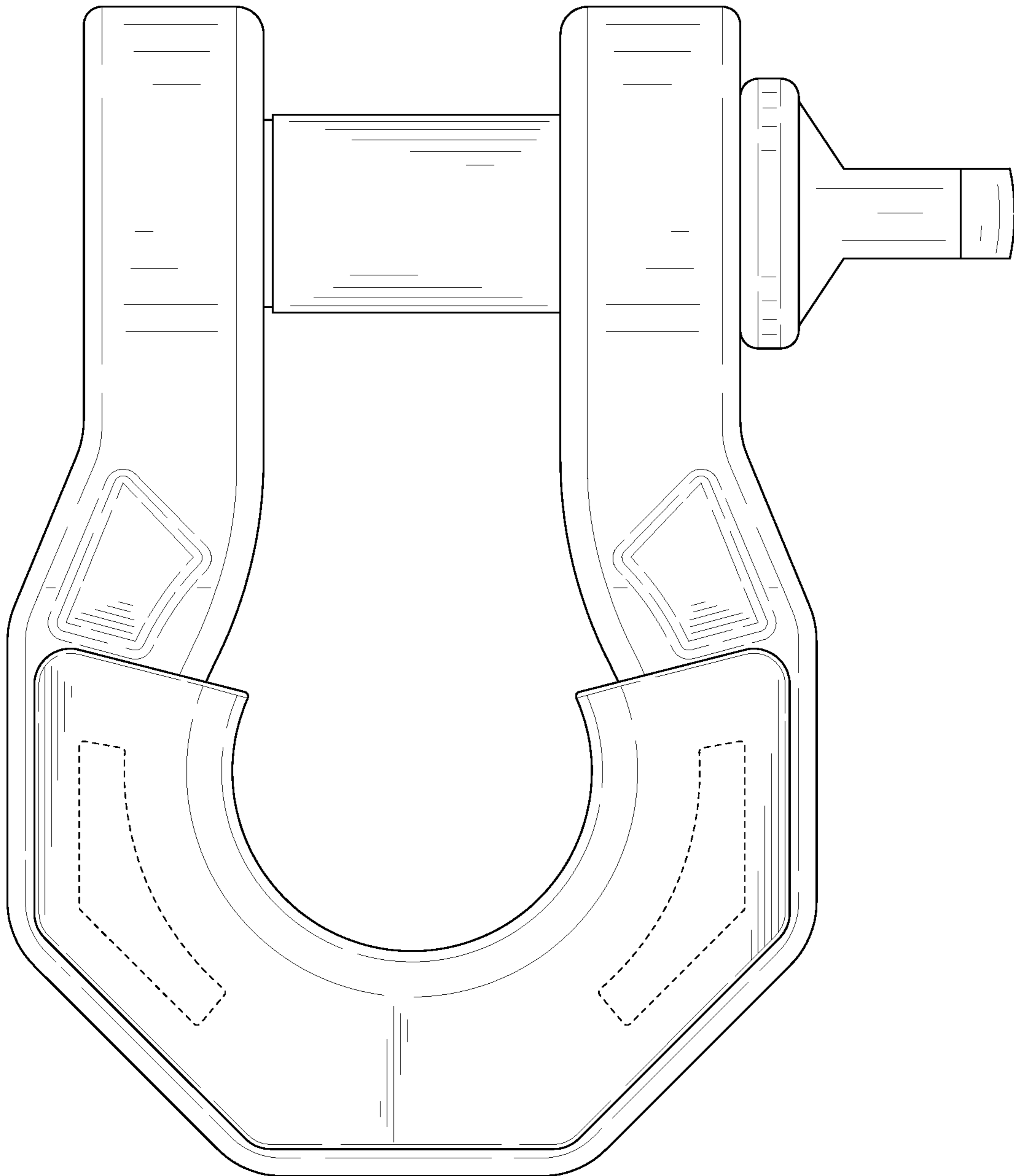


FIG. 4

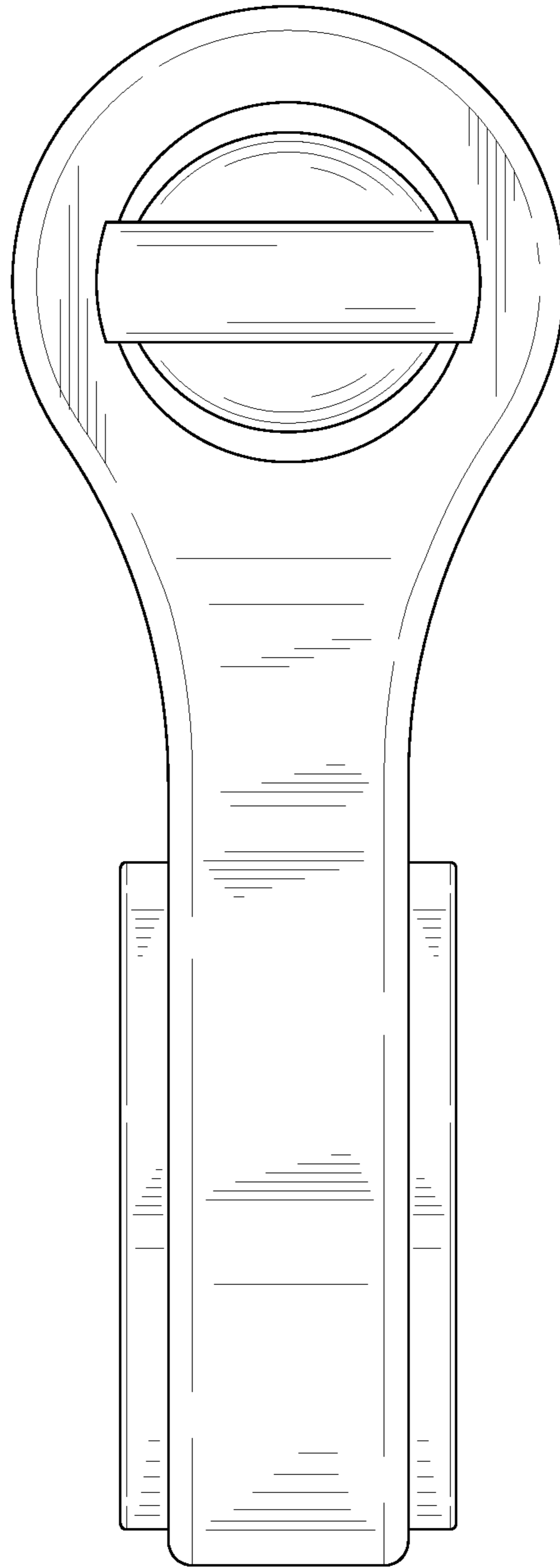


FIG. 5

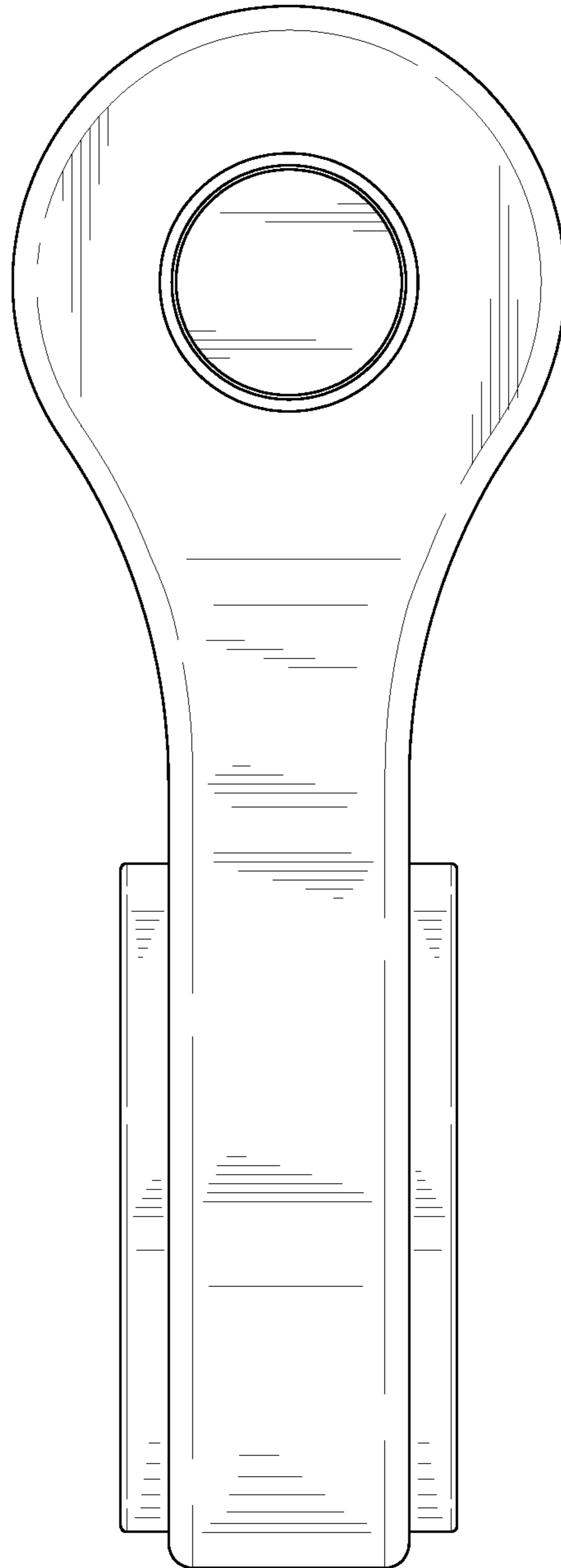


FIG. 6

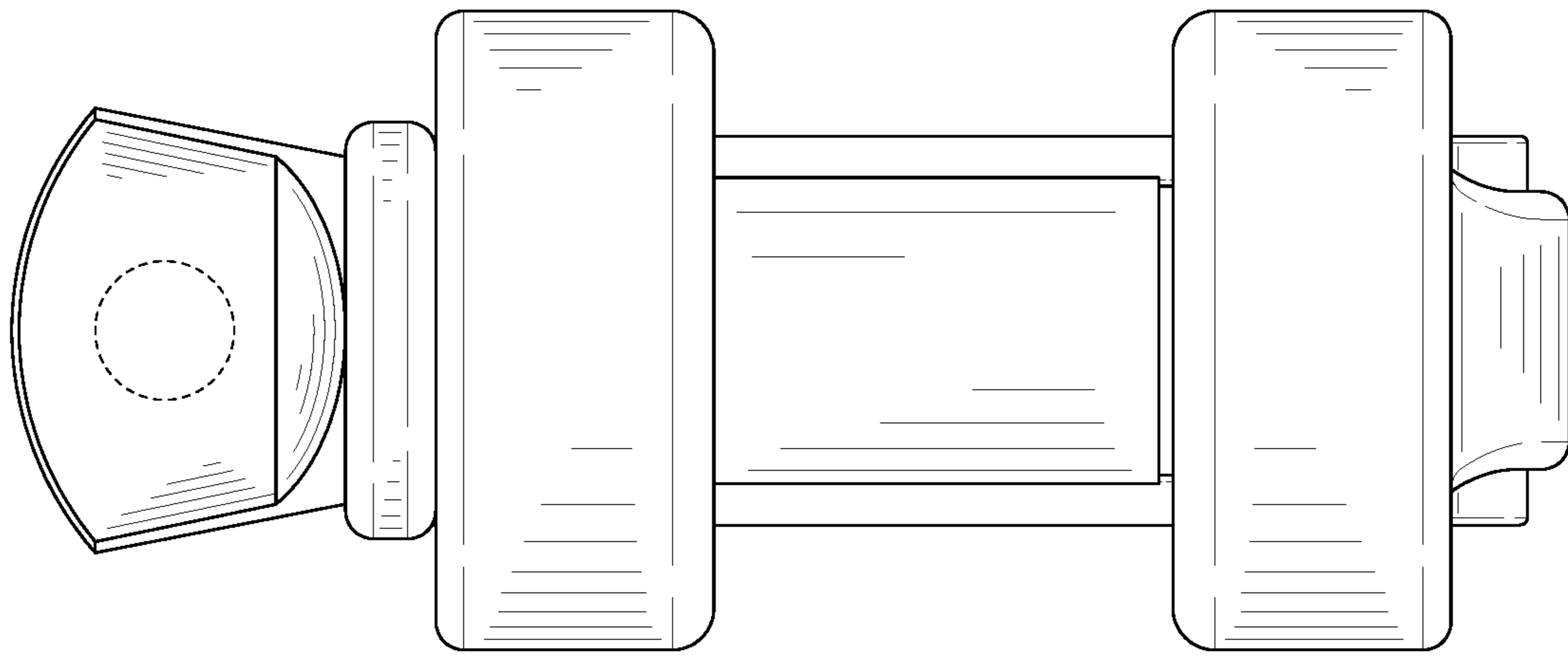


FIG. 7

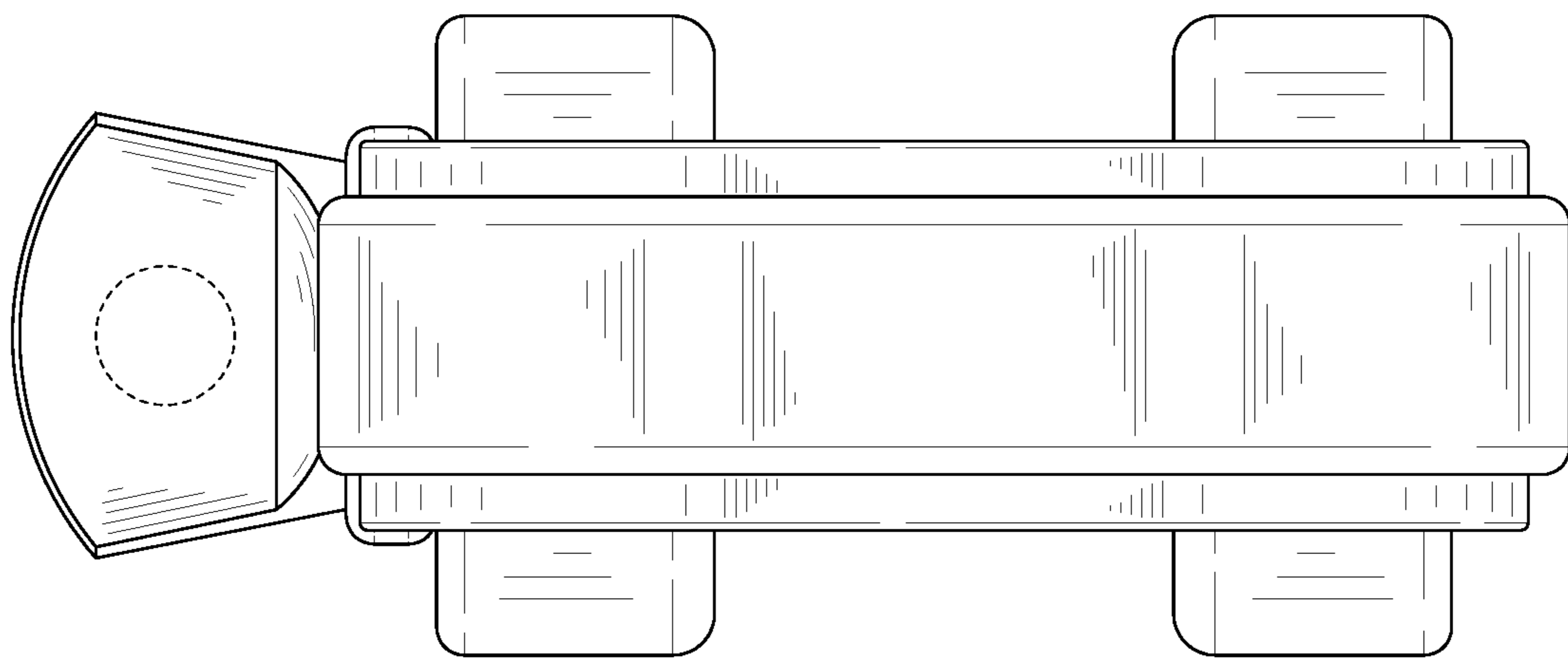


FIG. 8