

US00D964151S

(12) **United States Design Patent** (10) **Patent No.:** **US D964,151 S**  
**Bell et al.** (45) **Date of Patent:** **\*\* Sep. 20, 2022**

(54) **CABLE TIE ANCHOR**  
(71) Applicant: **ConcealFab Corporation**, Colorado Springs, CO (US)  
(72) Inventors: **Thomas Bell**, Colorado Springs, CO (US); **Jacob Lovelady**, Colorado Springs, CO (US)  
(73) Assignee: **ConcealFab, Inc.**, Colorado Springs, CO (US)  
(\*\*) Term: **15 Years**

D875,689 S 2/2020 Smith  
D911,981 S 3/2021 Varale  
10,941,883 B2 \* 3/2021 Bell ..... H02G 7/053  
11,002,383 B2 5/2021 Naugler  
11,187,351 B2 \* 11/2021 Bell ..... F16L 3/06  
D953,145 S \* 5/2022 Ellis ..... D8/349  
2007/0290100 A1 12/2007 Caveney  
(Continued)

**FOREIGN PATENT DOCUMENTS**

CA 179289 \* 10/2018  
EP 1772935 A2 6/2012  
(Continued)

**OTHER PUBLICATIONS**

“Saddle Support Mounting Base UV Black #1/4” Screw 100/bag Part # CTM25-0C”, first accessed Jul. 21, 2022. CableTiesUnlimited.com [https://www.cabletiesunlimited.com/saddle-support-mounting-base-uv-black-1-4-screw-100-bag-part-ctm25-0c.html?gclid=EAlaIqobChMivIjGqJWK-Q%E2%80%A6] (Year: 2022).\*  
(Continued)

(21) Appl. No.: **29/833,350**  
(22) Filed: **Apr. 3, 2022**  
(51) **LOC (13) Cl.** ..... **08-05**  
(52) **U.S. Cl.**  
USPC ..... **D8/354**  
(58) **Field of Classification Search**  
USPC ..... D8/349, 354, 356; D14/432, 433, 435.1, D14/438; D13/133, 146, 147, 153, 154, D13/155, 199  
CPC .... H01R 25/006; H01R 27/02; H01R 31/005; H01R 13/20; H01R 13/26; H01R 13/434; H01R 13/625; H01R 13/642; H01R 13/652; G06F 13/382; E02D 5/803; E04C 3/10; B63B 21/045; B63B 59/02; B60D 1/18; B60P 7/0823  
See application file for complete search history.

*Primary Examiner* — Rosemary K Tarcza  
*Assistant Examiner* — Seth David Kumpf  
(74) *Attorney, Agent, or Firm* — Mehrman Law Office; Michael J. Mehrman

(57) **CLAIM**

The ornamental design for a cable tie anchor, as shown and described.

(56) **References Cited**

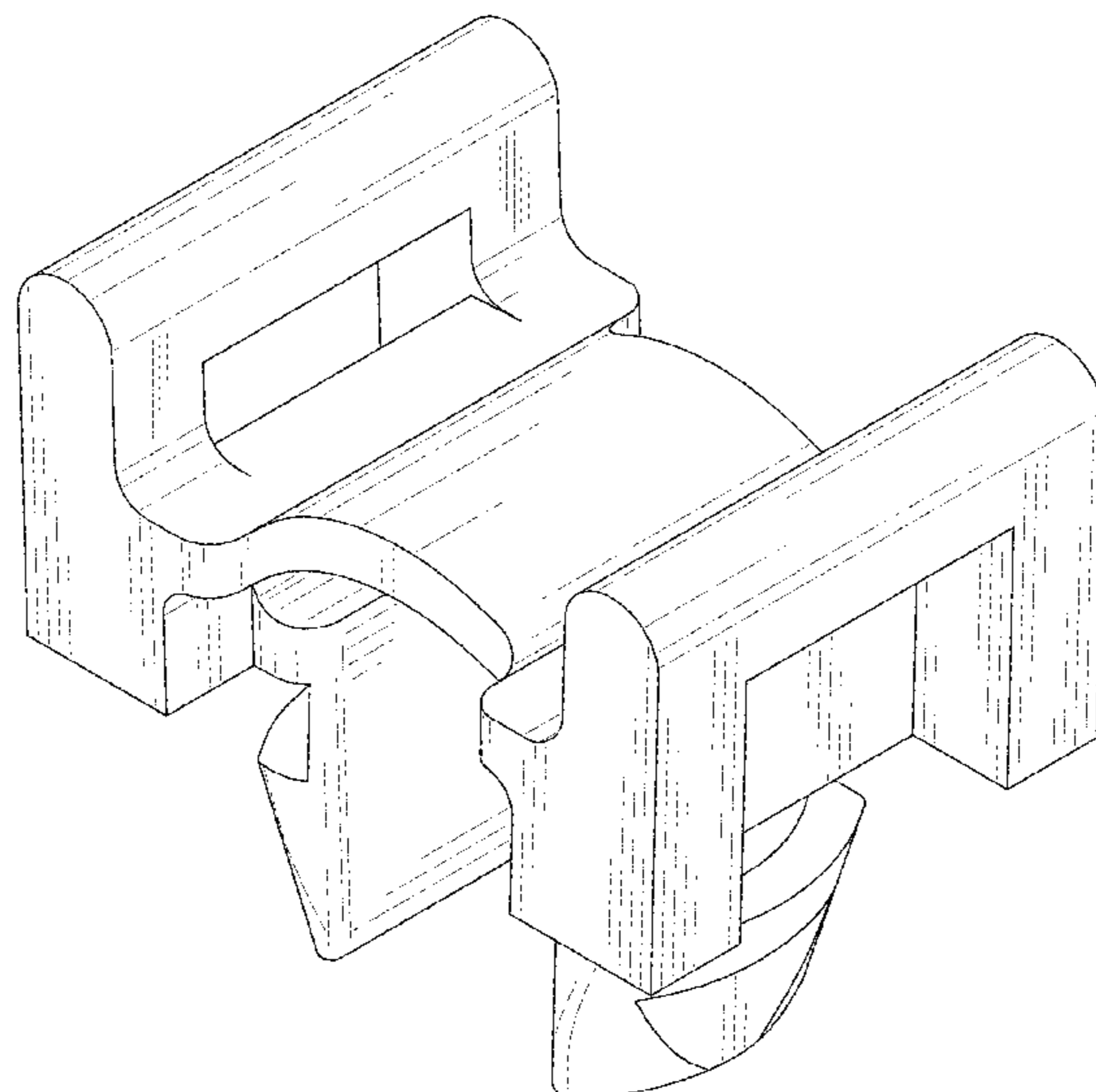
**U.S. PATENT DOCUMENTS**

D272,473 S \* 1/1984 Larsson ..... D8/349  
5,759,004 A 6/1998 Kuffel  
7,861,981 B2 1/2011 Olver  
D682,793 S 5/2013 Igelmund  
D688,118 S \* 8/2013 Hobson ..... D8/356  
D688,548 S \* 8/2013 Hobson ..... D8/356  
D871,191 S 12/2019 Mogensen  
10,508,757 B2 12/2019 Vaccaro

**DESCRIPTION**

FIG. 1 is a perspective view of a cable tie anchor, showing the new design;  
FIG. 2 is a front elevational view thereof;  
FIG. 3 is a side elevational view thereof;  
FIG. 4 is a top view of thereof; and,  
FIG. 5 is a bottom view thereof.

**1 Claim, 5 Drawing Sheets**



(56)

**References Cited**

U.S. PATENT DOCUMENTS

2021/0192992 A1 6/2021 Vaccaro et al.  
2021/0281059 A1 9/2021 Vaccaro et al.

FOREIGN PATENT DOCUMENTS

JP S54123653 A 9/1979  
JP 2007143274 A 12/2011  
WO 2021050316 A1 3/2021

OTHER PUBLICATIONS

“Panduit PWMS-H25-M0 | Cable Tie Mount | UPC-07498324800”,  
first accessed Jul. 21, 2022. AllDataResource.com [[https://www.alldataresource.com/Panduit-PWMS-H25-M0-Cable-Tie-Mount-UPC-07498324800\\_p\\_363585.html](https://www.alldataresource.com/Panduit-PWMS-H25-M0-Cable-Tie-Mount-UPC-07498324800_p_363585.html)] (Year: 2022).\*

\* cited by examiner

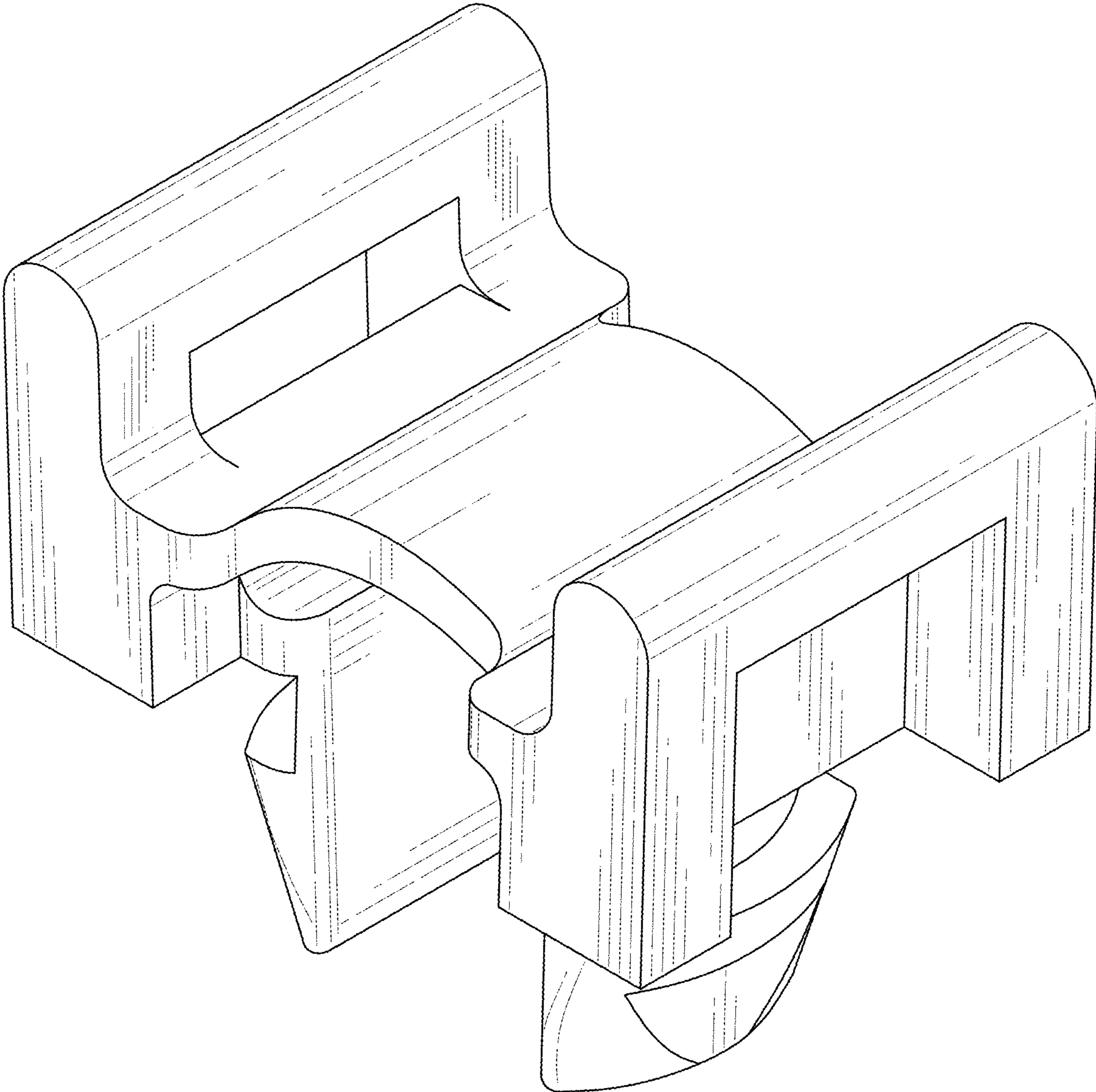


FIG. 1

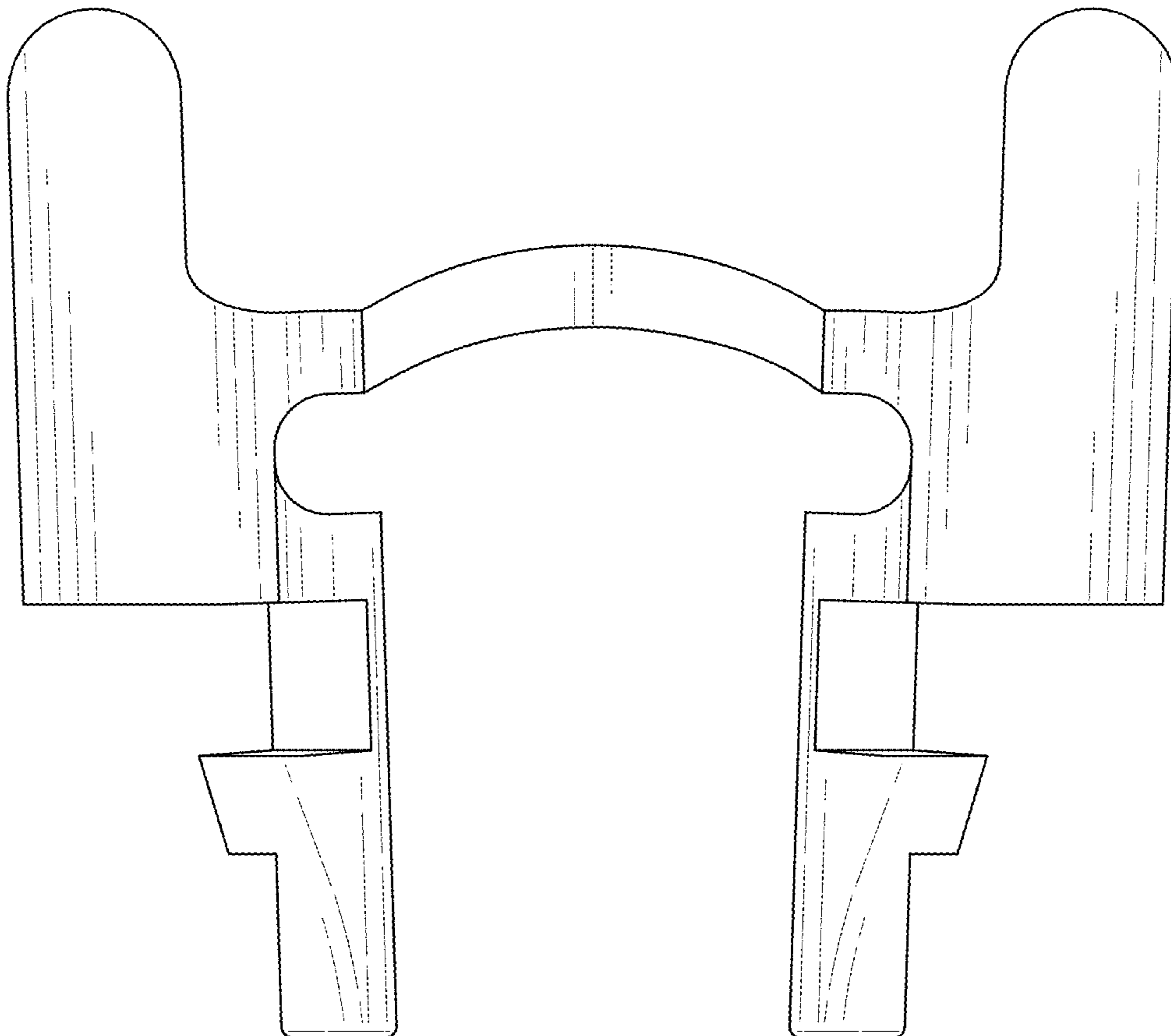


FIG. 2

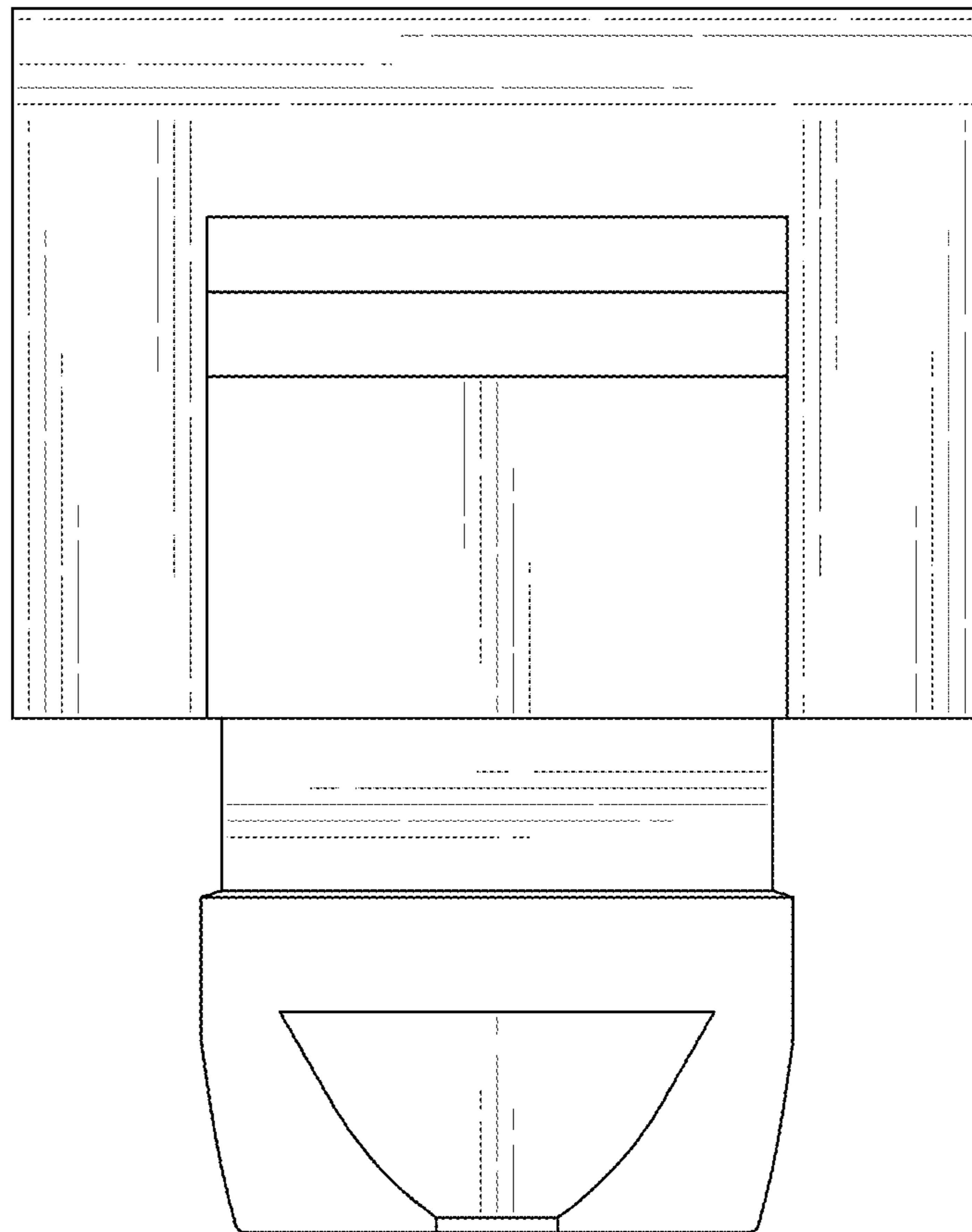


FIG. 3

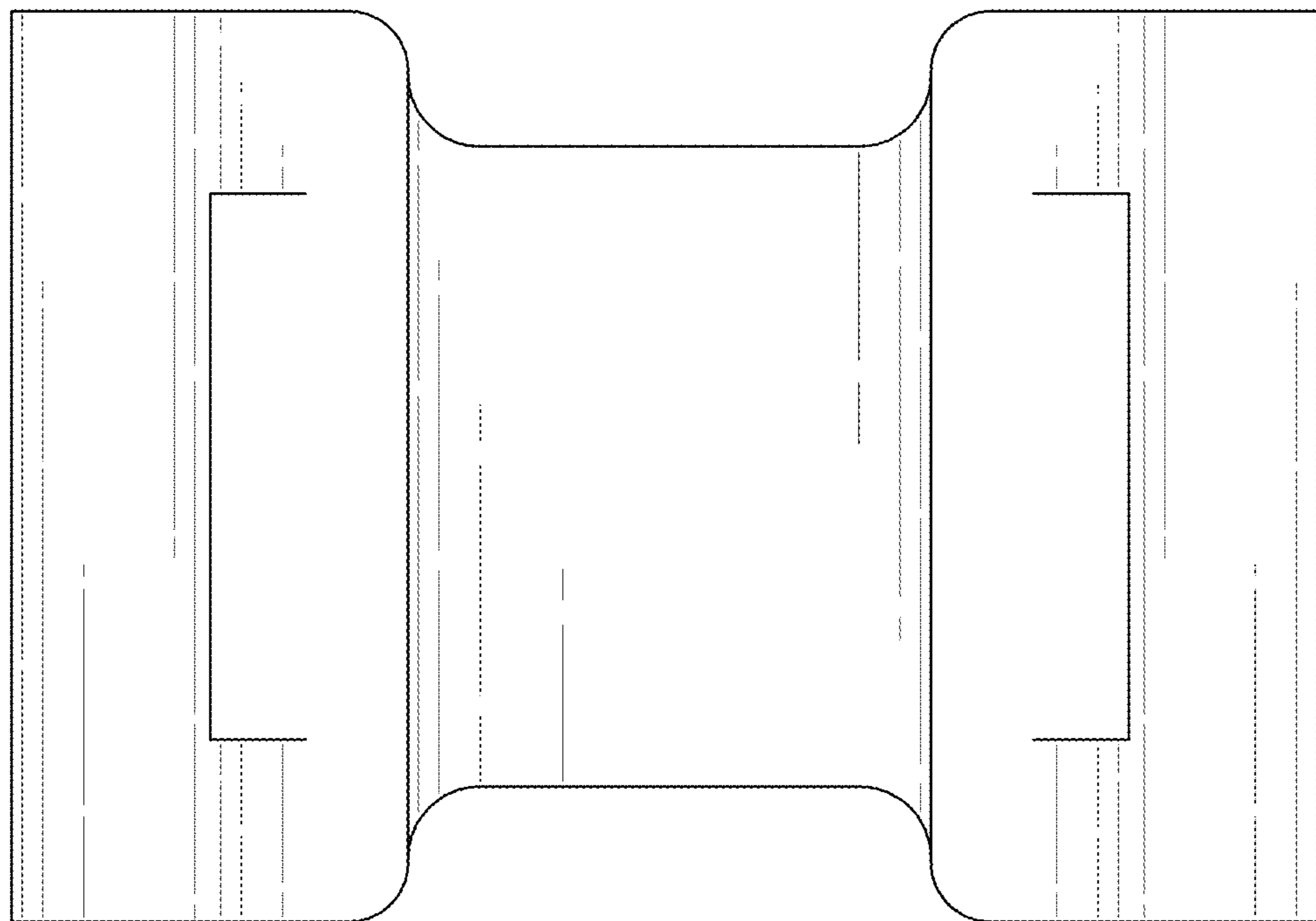


FIG. 4

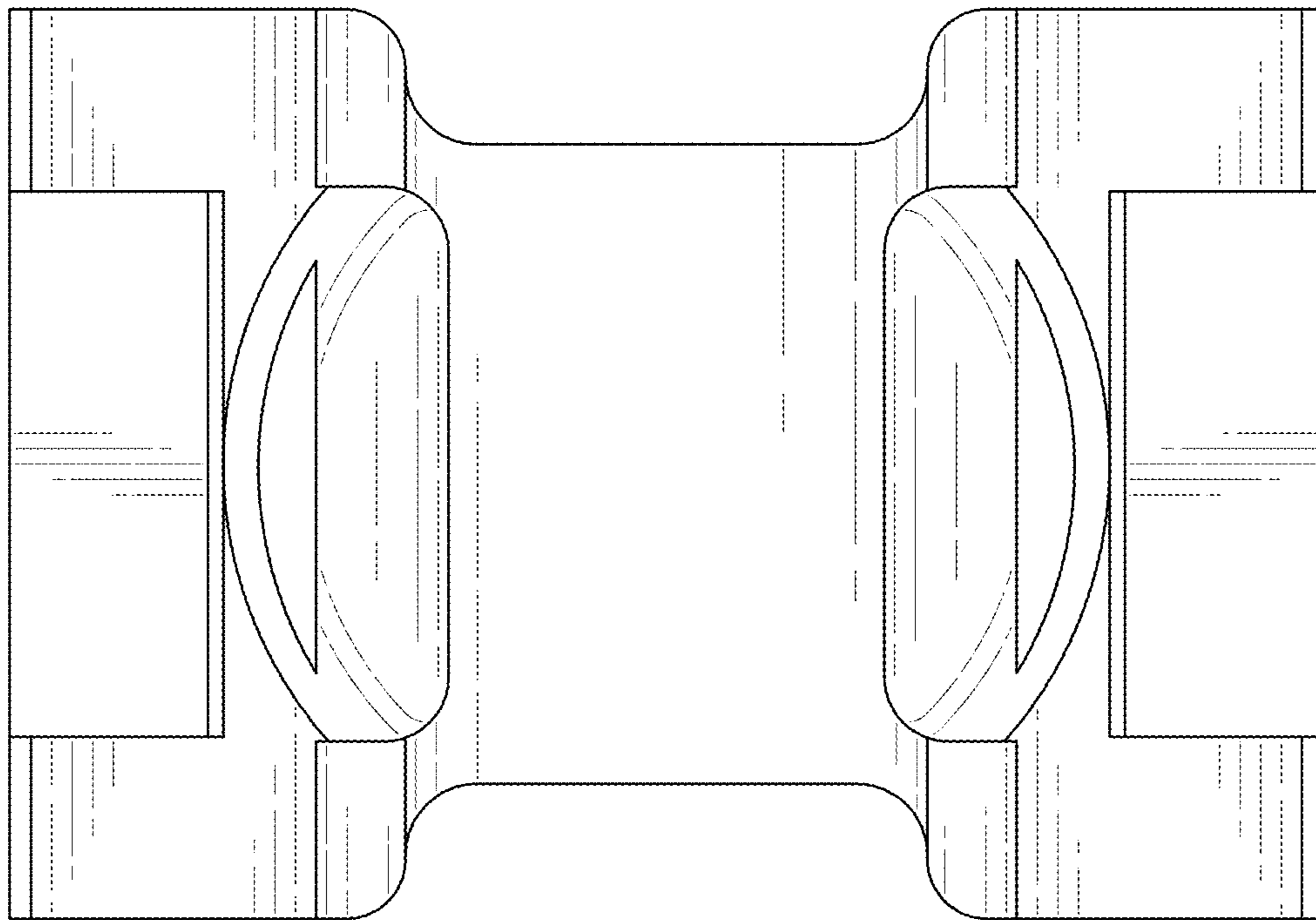


FIG. 5