

US00D964150S

(12) **United States Design Patent** (10) **Patent No.:** **US D964,150 S**  
**Boudot et al.** (45) **Date of Patent:** **\*\* Sep. 20, 2022**

(54) **MAGNETIC SPACER SET**  
(71) Applicant: **SAINT-GOBAIN PLACO**, Courbevoie (FR)  
(72) Inventors: **Florent Boudot**, Courbevoie (FR); **Eric Guesnet**, Courbevoie (FR)  
(73) Assignee: **SAINT-GOBAIN PLACO**, Courbevoie (FR)

(\*\*) Term: **15 Years**

(21) Appl. No.: **29/770,445**

(22) Filed: **Feb. 12, 2021**

(51) **LOC (13) Cl.** ..... **08-05**

(52) **U.S. Cl.**  
USPC ..... **D8/354**

(58) **Field of Classification Search**  
USPC ..... D8/349, 354, 373, 380, 400, 377;  
D21/489, 484  
CPC ..... A47B 13/021; A47B 91/00; F16B 12/48  
See application file for complete search history.

(56) **References Cited**

**U.S. PATENT DOCUMENTS**

2,031,684 A \* 2/1936 Berger ..... E04F 15/02022  
52/603  
D240,708 S \* 7/1976 Ilukowicz ..... D8/356  
4,584,226 A \* 4/1986 Vitale ..... B29C 70/085  
428/113  
6,385,858 B1 \* 5/2002 Muller ..... G01B 3/30  
33/526

6,625,951 B1 \* 9/2003 McCarthy ..... E04F 21/0092  
52/749.11  
D608,182 S \* 1/2010 Banks ..... D8/354  
D627,623 S \* 11/2010 Densmore ..... D8/354  
D743,241 S \* 11/2015 Nieves, Sr. .... D8/354  
D826,704 S \* 8/2018 Wilson ..... D8/382  
D832,723 S \* 11/2018 Dahill ..... D10/64  
D848,820 S \* 5/2019 Dahill ..... D10/65  
D880,319 S \* 4/2020 Dahill ..... D10/64  
D938,269 S \* 12/2021 Preston ..... D8/382  
2016/0032598 A1 \* 2/2016 Anderson ..... E04F 21/0092  
206/349

\* cited by examiner

*Primary Examiner* — Keli L Hill

*Assistant Examiner* — Harold E Blackwell, II

(74) *Attorney, Agent, or Firm* — Sughrue Mion, PLLC

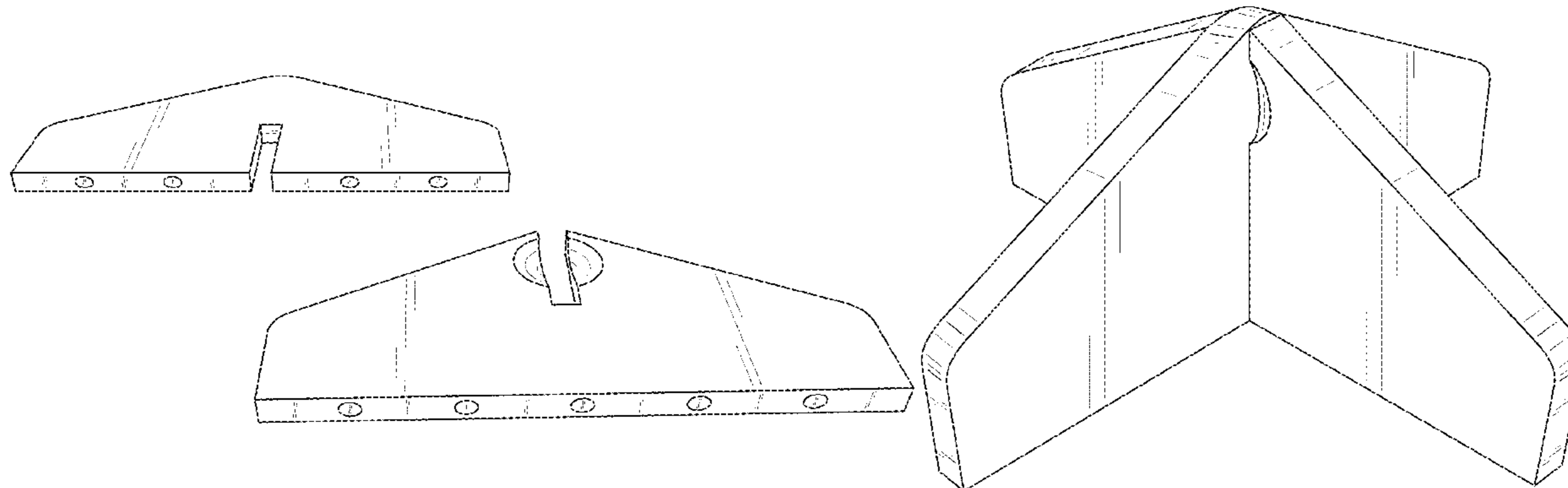
(57) **CLAIM**

The ornamental design for a magnetic spacer set, as shown and described.

**DESCRIPTION**

FIG. 1 is a front bottom perspective view of a magnetic spacer set showing our new design unassembled; FIG. 2 is a back top perspective view thereof assembled, FIG. 3 is a right top perspective view thereof, FIG. 4 is bottom perspective view thereof- FIG. 5 is a front view thereof; FIG. 6 is a back view thereof; FIG. 7 is a left side view thereof; FIG. 8 is a right side view thereof, FIG. 9 is a top view thereof; and, FIG. 10 is a bottom view thereof.

**1 Claim, 8 Drawing Sheets**



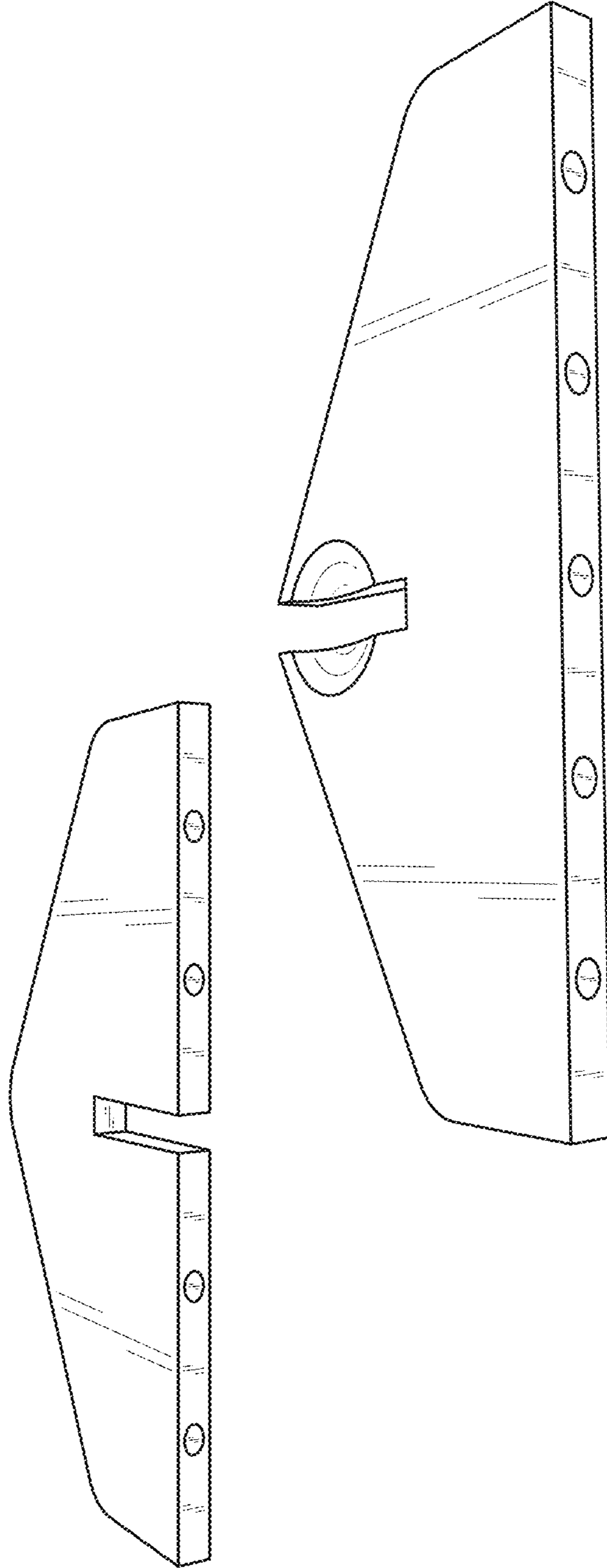


FIG. 1

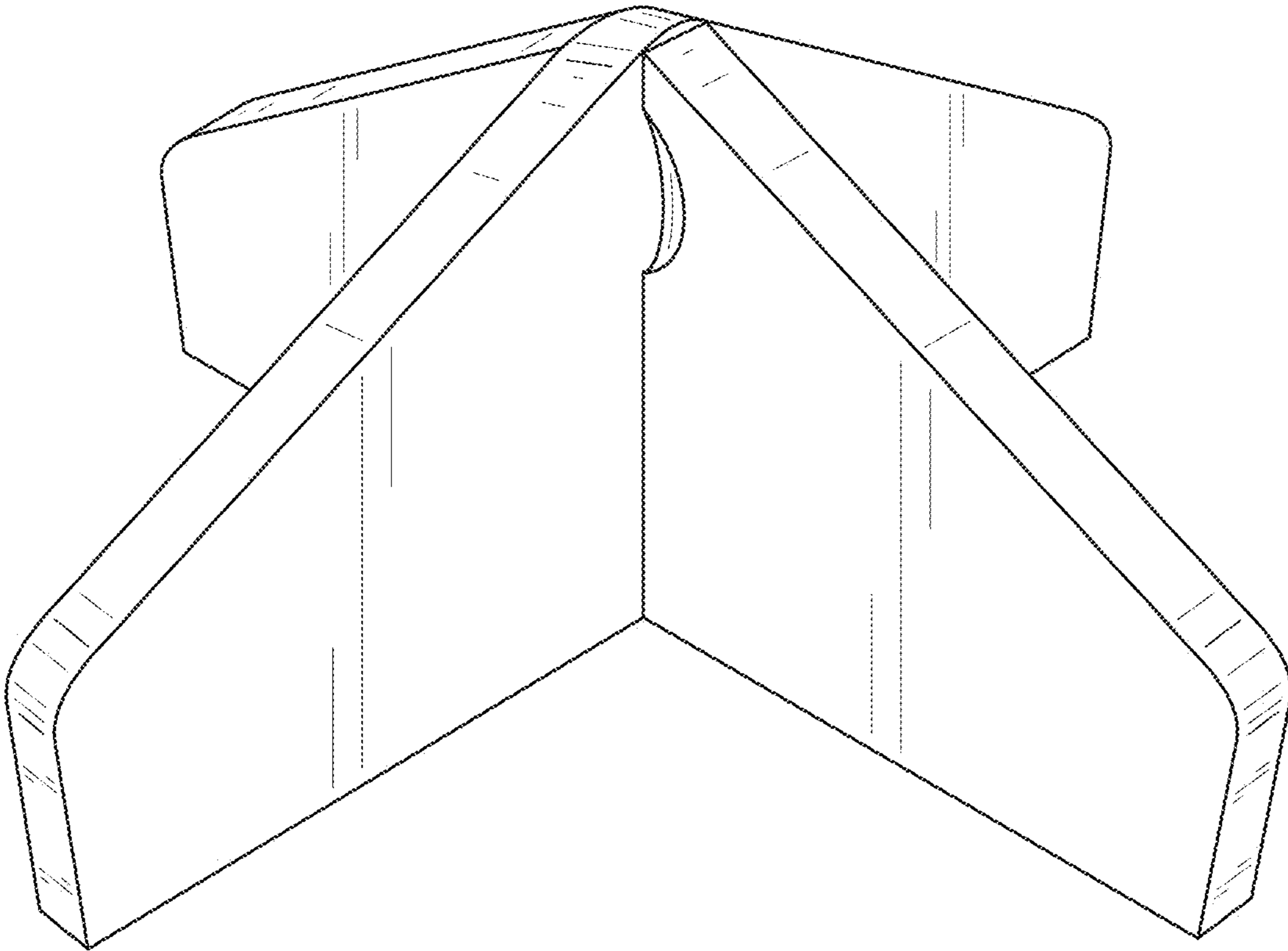


FIG. 2

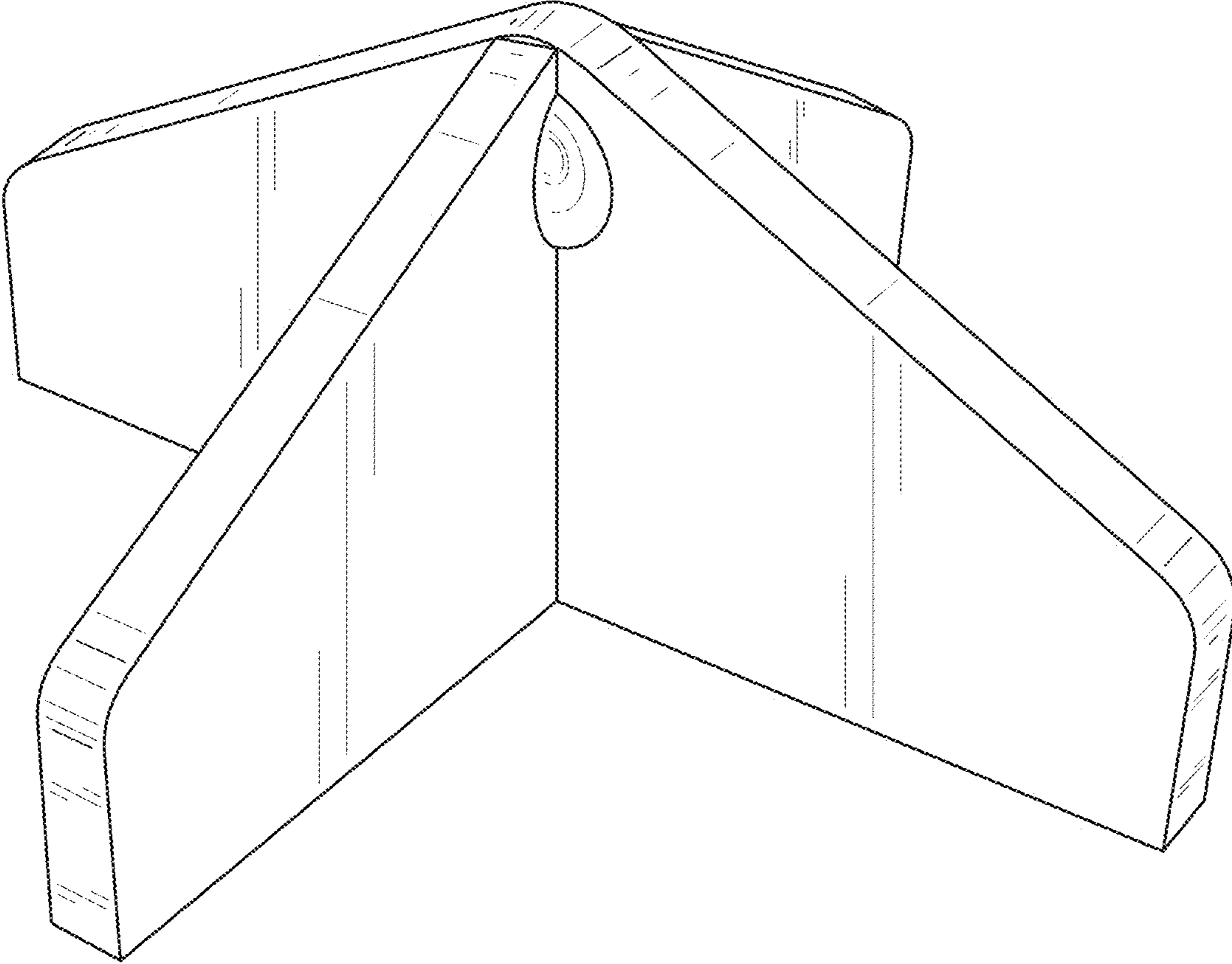


FIG. 3

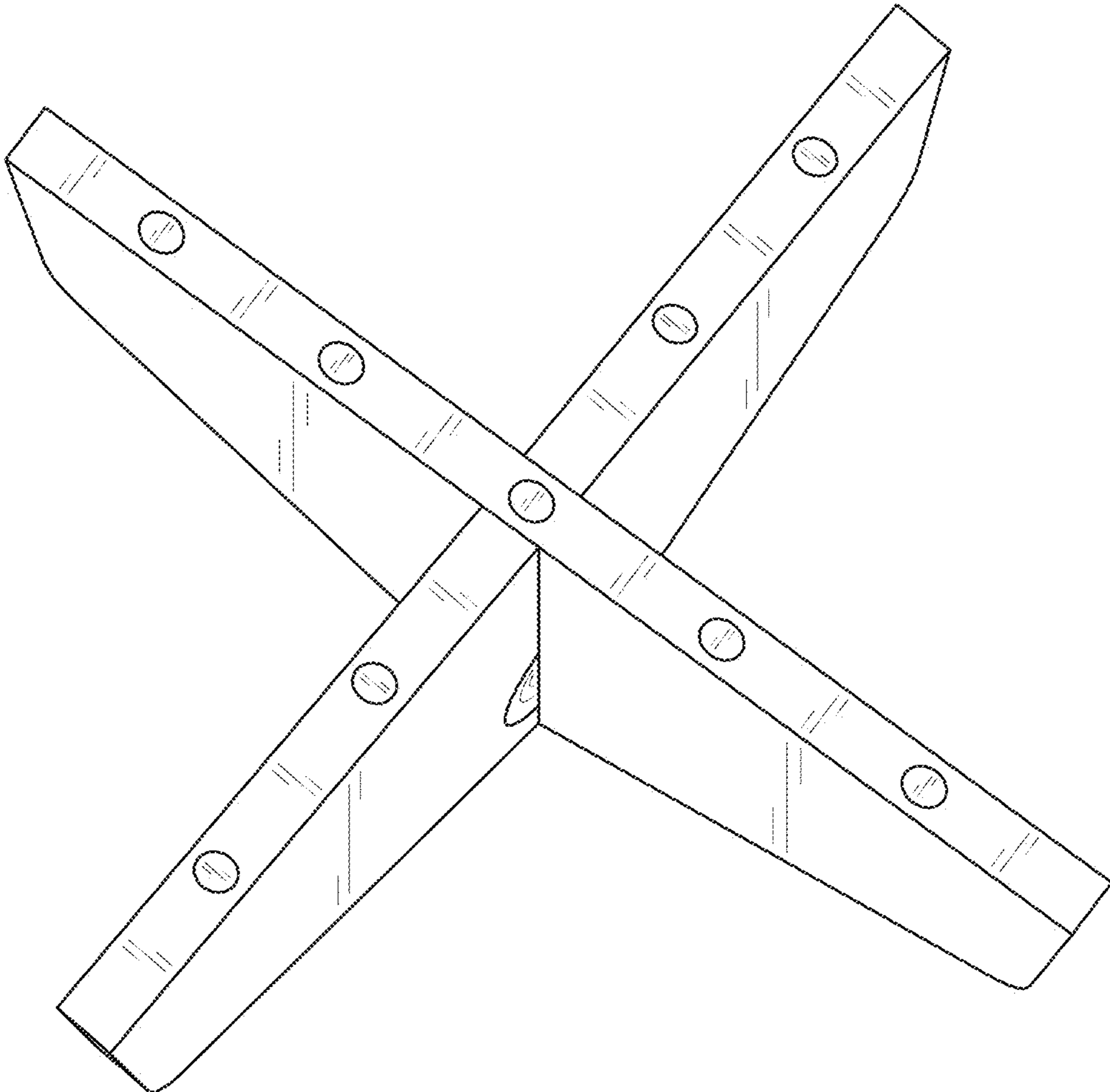


FIG. 4

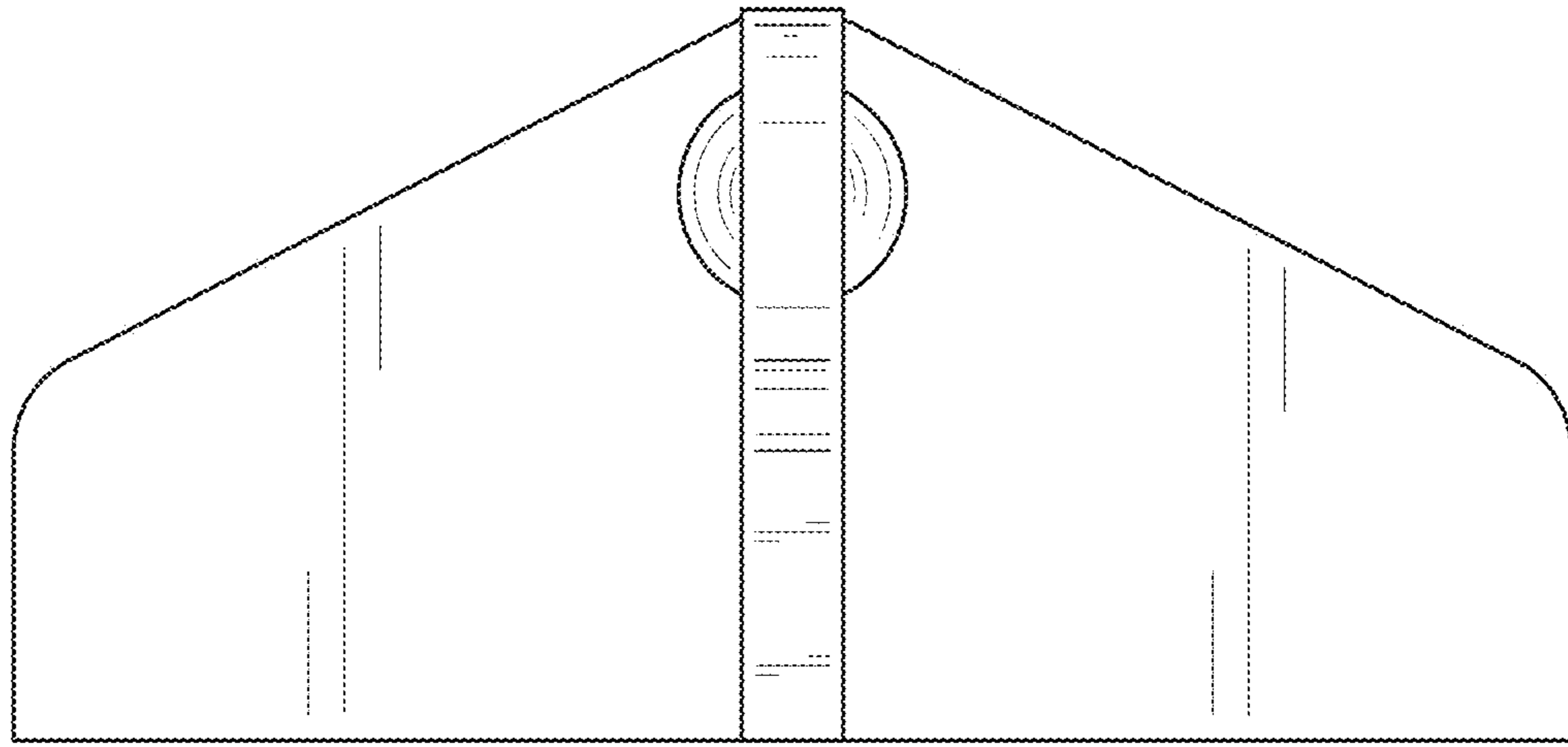


FIG. 5

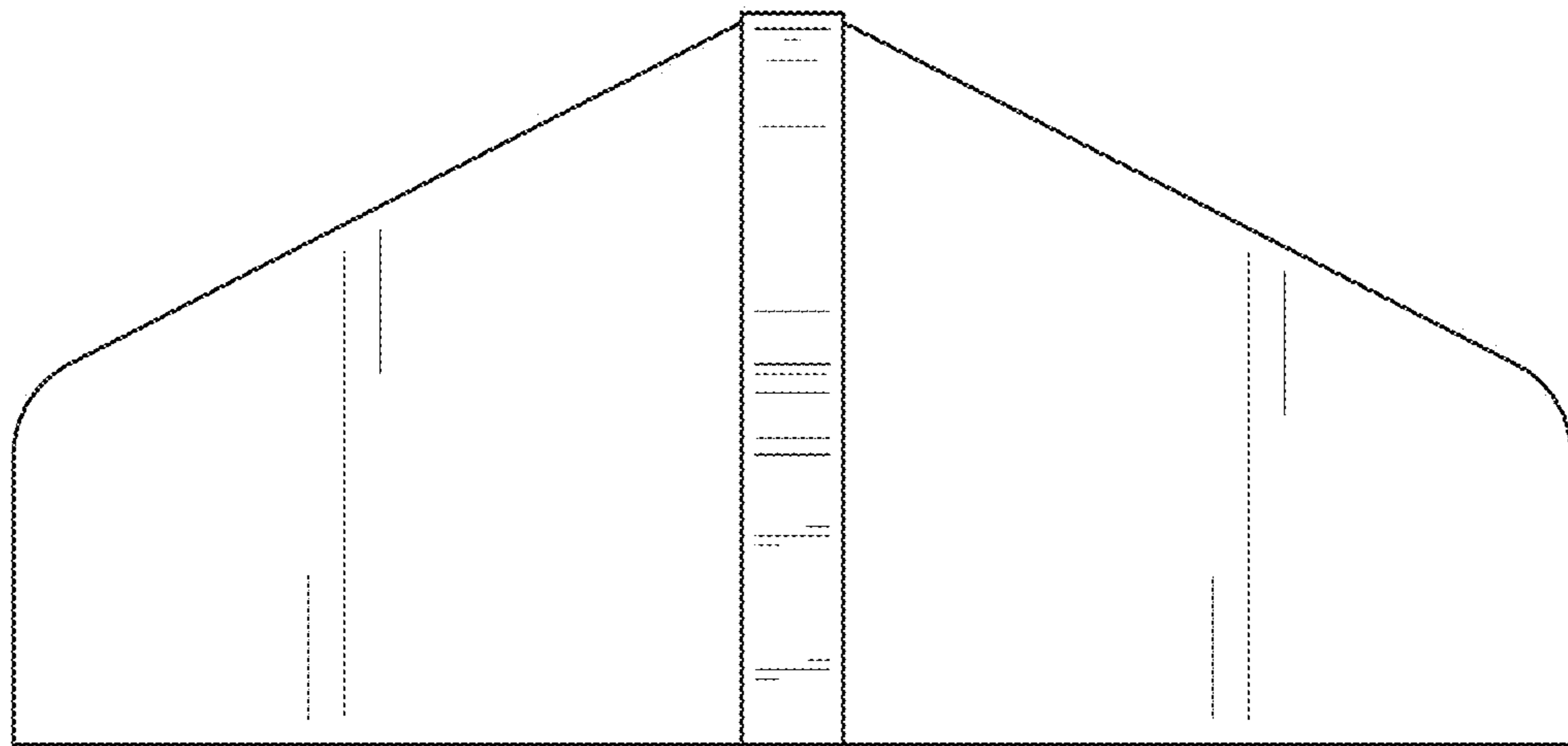


FIG. 6



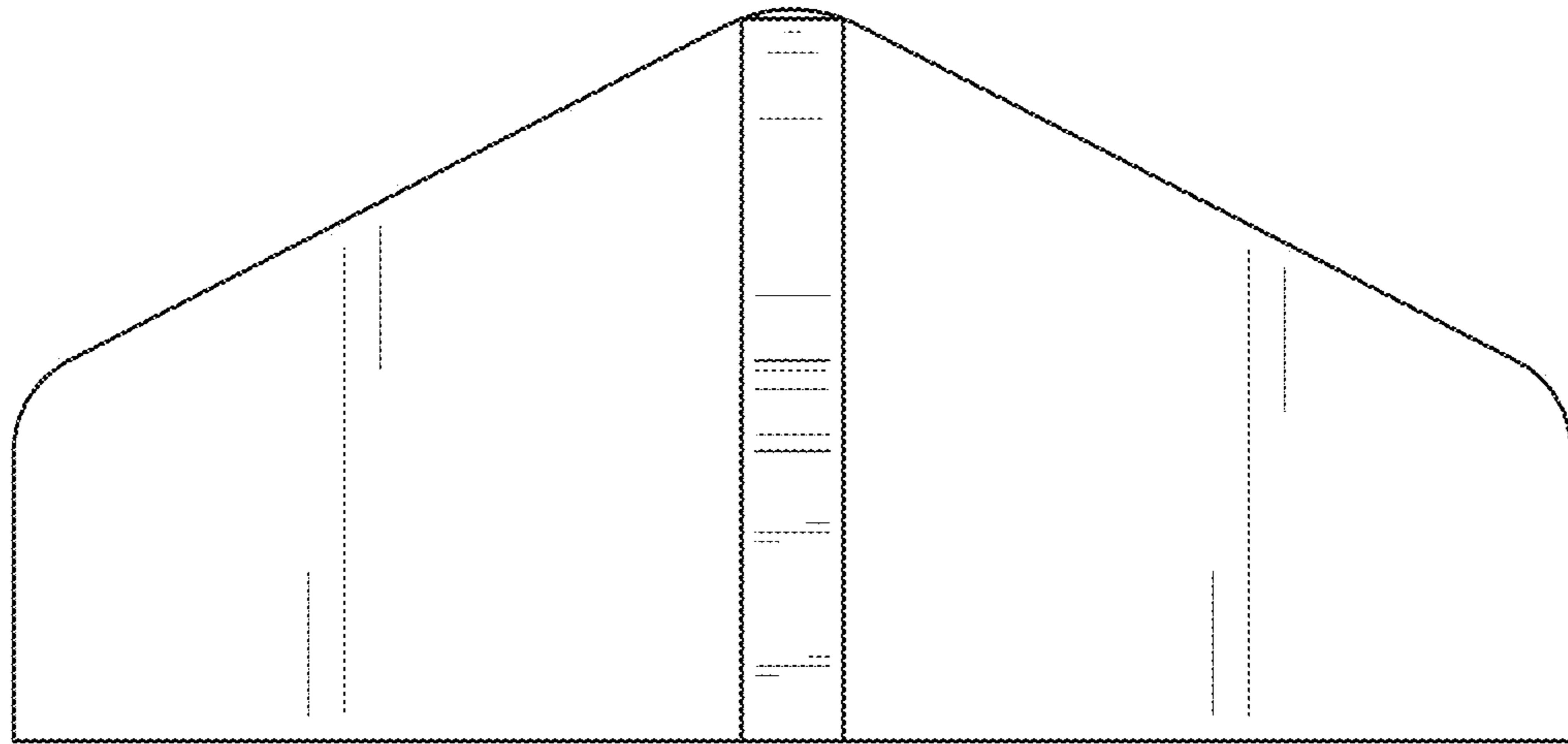


FIG. 7

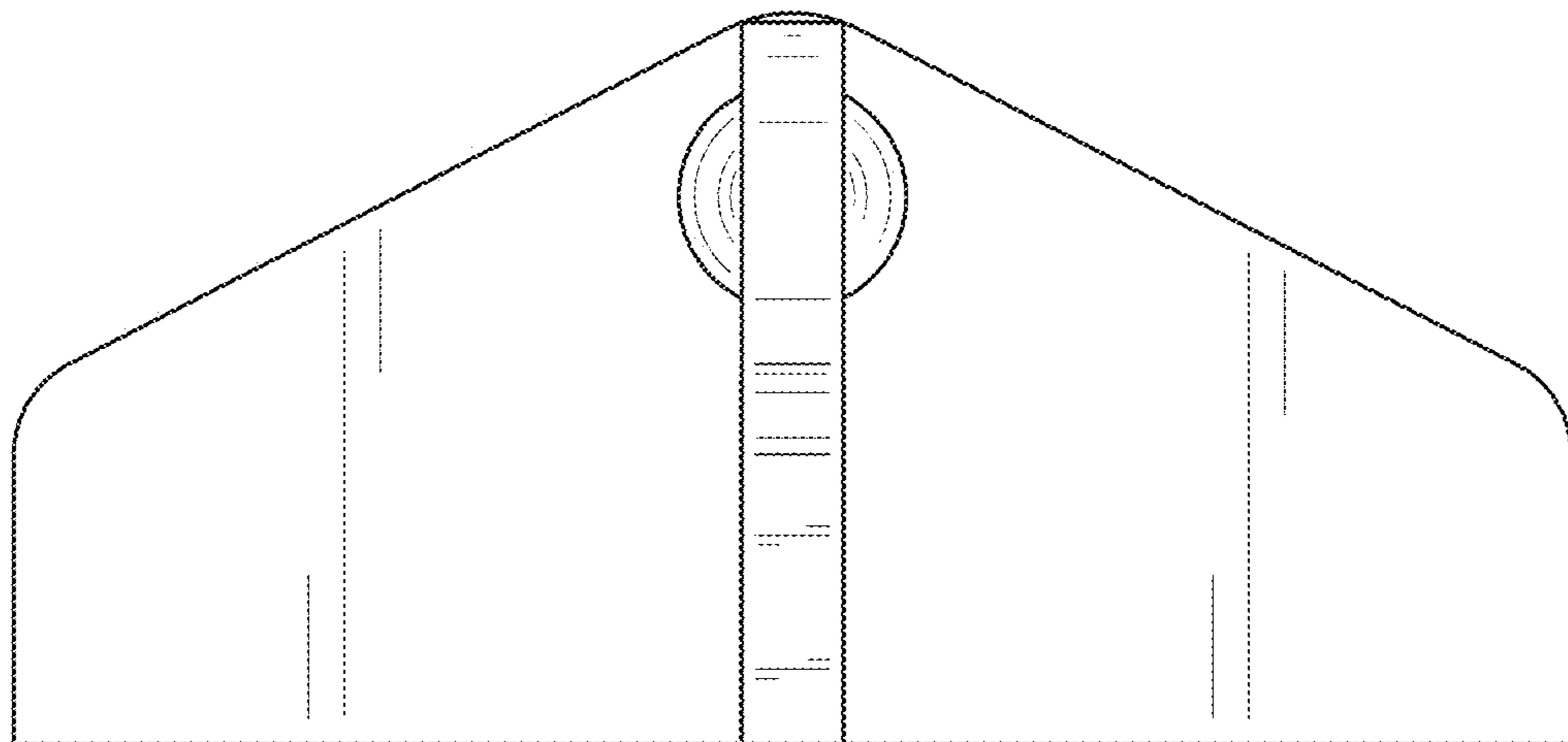


FIG. 8

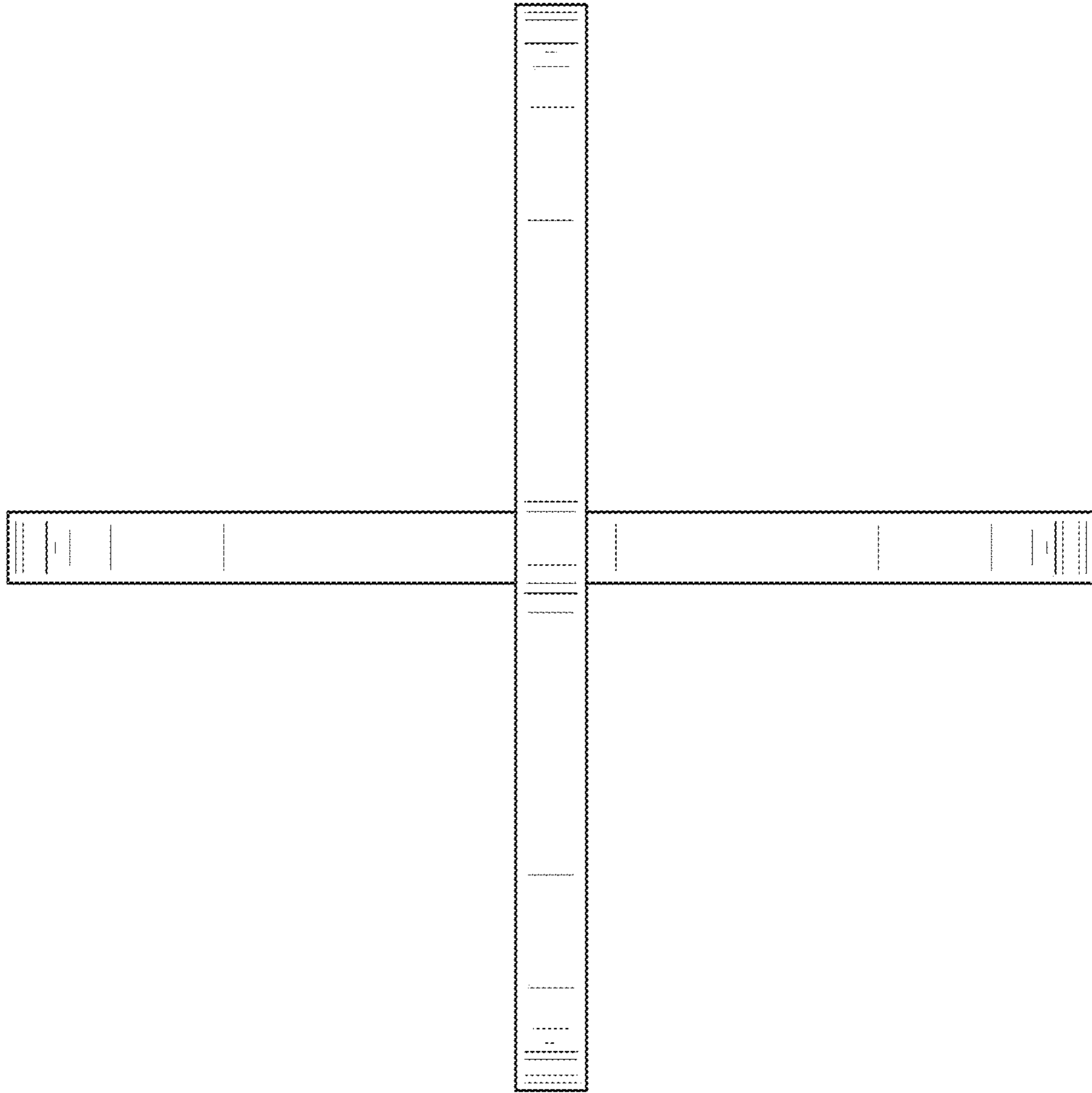


FIG. 9



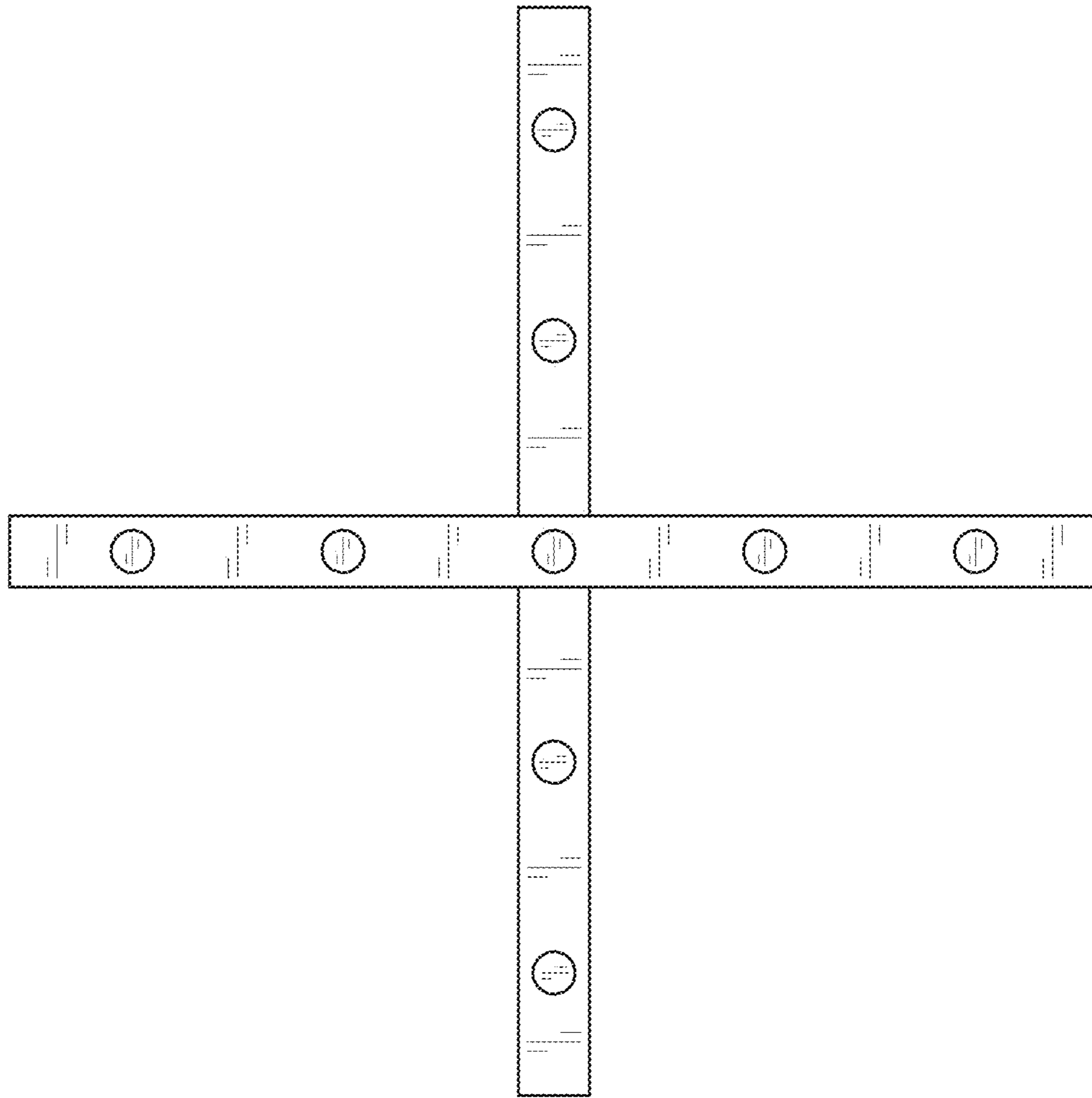


FIG. 10

UNITED STATES PATENT AND TRADEMARK OFFICE  
**CERTIFICATE OF CORRECTION**


PATENT NO. : D964,150 S  
APPLICATION NO. : 29/770445  
DATED : September 20, 2022  
INVENTOR(S) : Florent Boudot and Eric Guesnet

Page 1 of 1

It is certified that error appears in the above-identified patent and that said Letters Patent is hereby corrected as shown below:

On the Title Page

First Column; Please insert the following -- (30) Foreign Application Priority Data  
August 12, 2020 (EM) 008106744-0002 --

Signed and Sealed this  
Twelfth Day of December, 2023  
  
Katherine Kelly Vidal  
Director of the United States Patent and Trademark Office