



US00D964147S

(12) **United States Design Patent**
Daly et al.

(10) **Patent No.:** **US D964,147 S**

(45) **Date of Patent:** **** Sep. 20, 2022**

(54) **CONVEYOR LINE HOLDER FOR SUPPORTING AN ITEM OF PRODUCE**

(71) Applicant: **Rokit Global Limited**, Havelock North (NZ)

(72) Inventors: **Shane Timothy Daly**, Havelock North (NZ); **Ryan Douglas Tasma**, Hastings (NZ)

(73) Assignee: **Rokit Global Limited**, Havelock North (NZ)

(**) Term: **15 Years**

(21) Appl. No.: **29/773,231**

(22) Filed: **Mar. 8, 2021**

(30) **Foreign Application Priority Data**

Sep. 8, 2020 (NZ) 428000

(51) **LOC (13) Cl.** **08-08**

(52) **U.S. Cl.**
USPC **D8/349**

(58) **Field of Classification Search**
USPC D8/349, 354, 499; D9/761
CPC A01G 9/023; A01G 31/02
See application file for complete search history.

(56) **References Cited**

U.S. PATENT DOCUMENTS

- D293,037 S * 12/1987 Capawana D8/499
- D361,709 S * 8/1995 Fortenbery D8/349
- 10,080,335 B1 * 9/2018 Van Wingerden A01G 31/02
- 2003/0047481 A1 * 3/2003 Van Heugten B65D 85/34
206/521.1
- 2015/0036961 A1 * 2/2015 Mano F16C 33/546
29/898.067

- 2015/0216131 A1 * 8/2015 Van Wingerden ... A01G 9/0293
47/65.5
- 2015/0259150 A1 * 9/2015 Matson B65G 23/06
198/834
- 2022/0124995 A1 * 4/2022 Cunningham A01G 9/246
- 2022/0126160 A1 * 4/2022 Chou A63B 21/4025
- 2022/0132760 A1 * 5/2022 Wilcox A01G 31/02
47/62 A

* cited by examiner

Primary Examiner — Mark A Goodwin

(74) *Attorney, Agent, or Firm* — Cahn & Samuels, LLP

(57) **CLAIM**

The ornamental design for a conveyor line holder for supporting an item of produce, as shown and described.

DESCRIPTION

FIG. 1 is a top view of a conveyor line holder for supporting an item of produce.

FIG. 2 is a side view of the holder of FIG. 1.

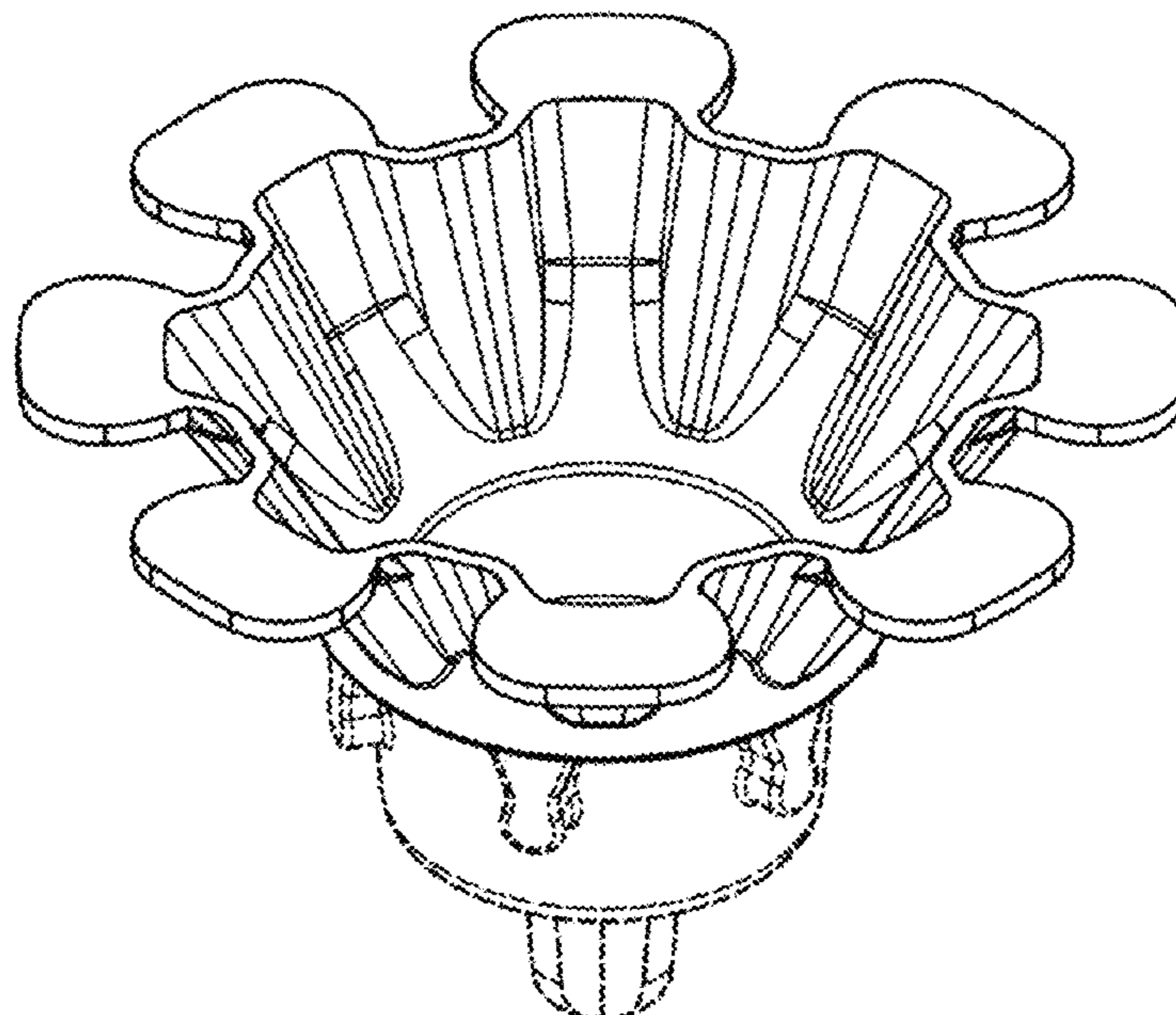
FIG. 3 is a cross section side view taken at A-A in FIG. 2 of the holder of FIG. 1.

FIG. 4 is a bottom view of the holder of FIG. 1; and,

FIG. 5 is a top perspective view of the holder of FIG. 1.

Surface lines representing external and internal fillets, or the extent of radiuses, are used to show the shape and/or configuration of the article and do not represent the absence or presence of any surface deocartion. The broken lines are included for the purpose of illustrating portions of the "article" and forms no part of the claimed design. The cross section long-short-long broken lines marked A-A in FIG. 2 is included for the purpose of illustrating the plane used for the cross section view of FIG. 3. The cross-hatching of FIG. 3 forms no part of the claimed design.

1 Claim, 5 Drawing Sheets



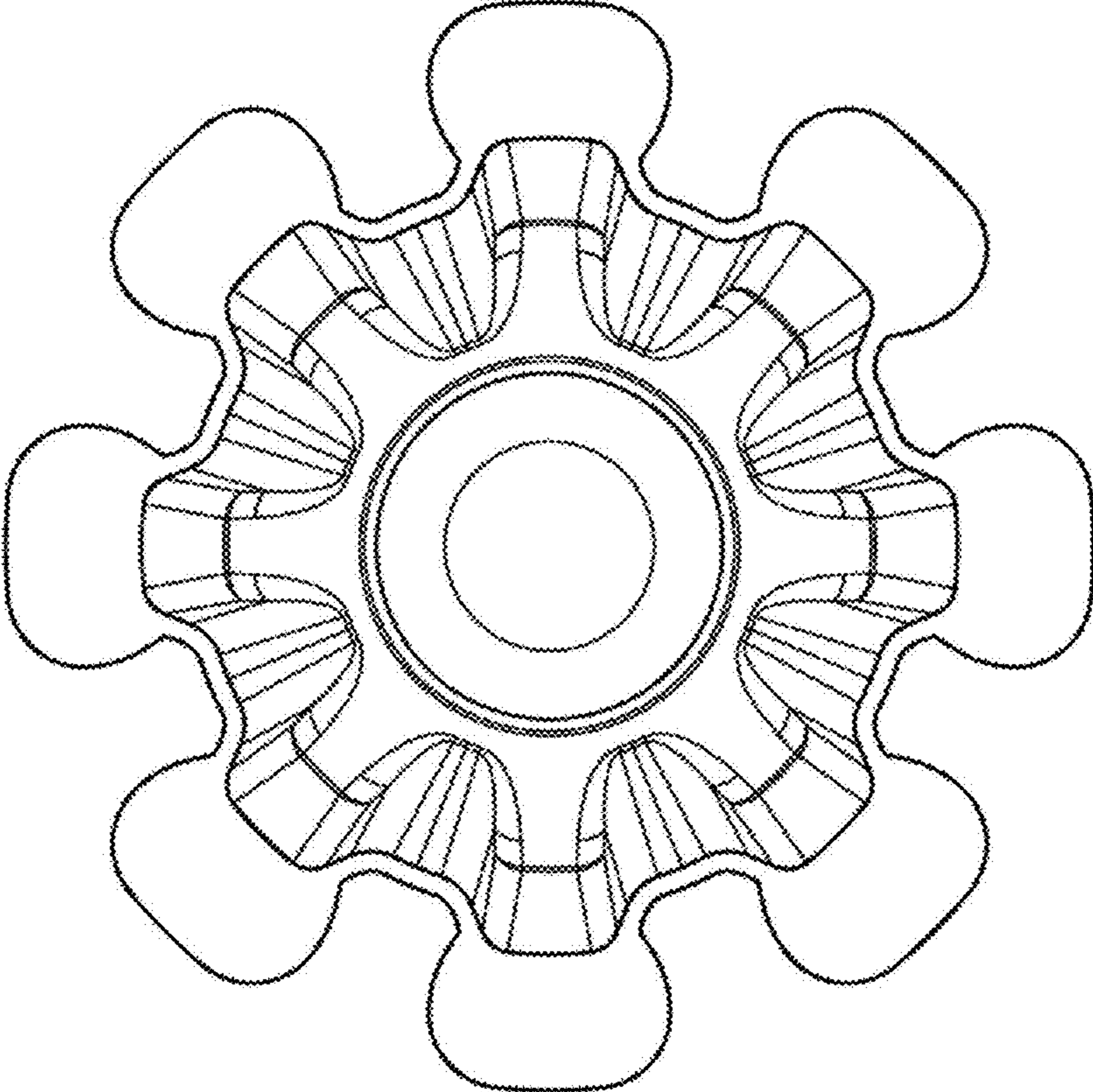


FIG. 1

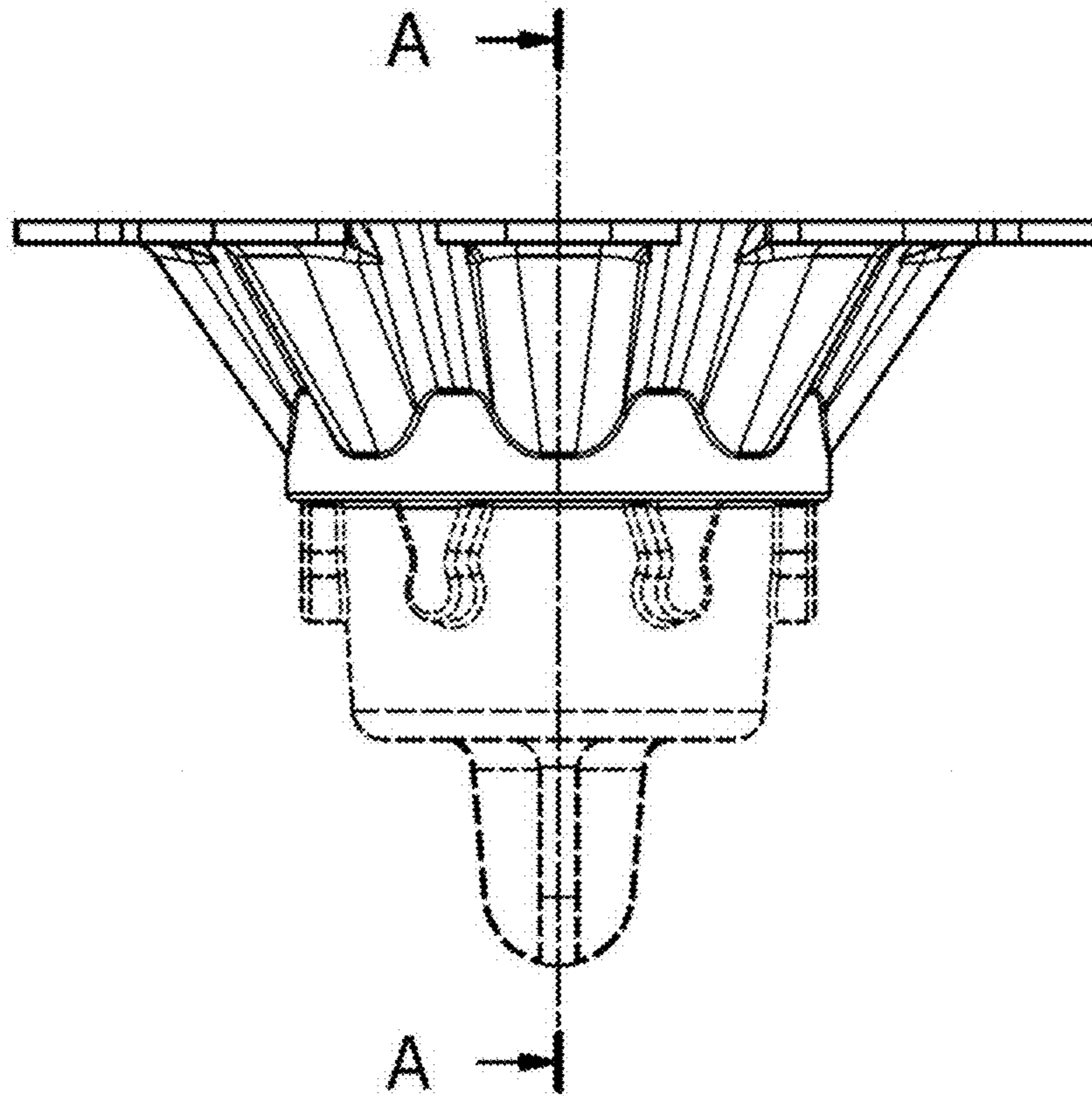


FIG. 2

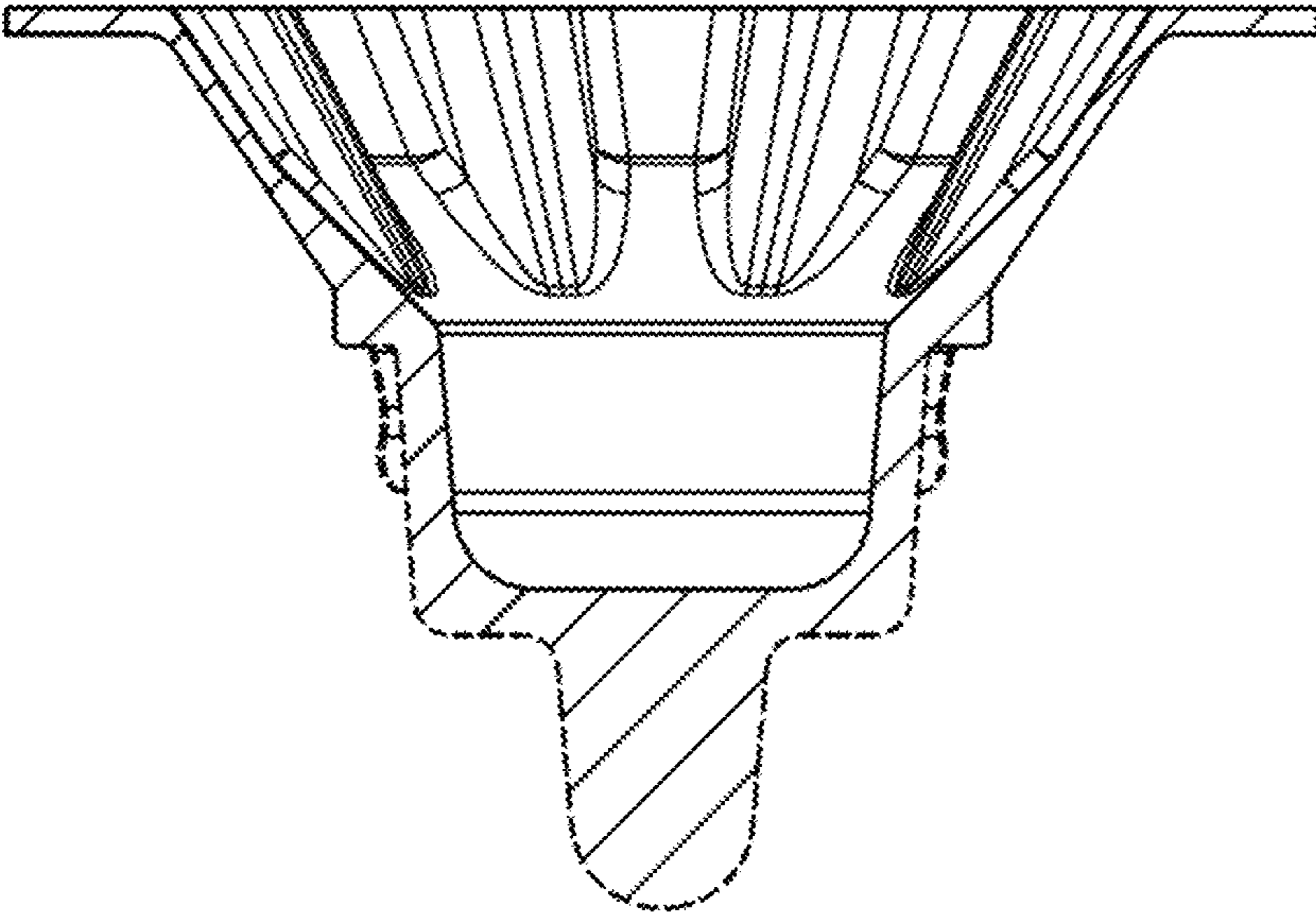


FIG. 3

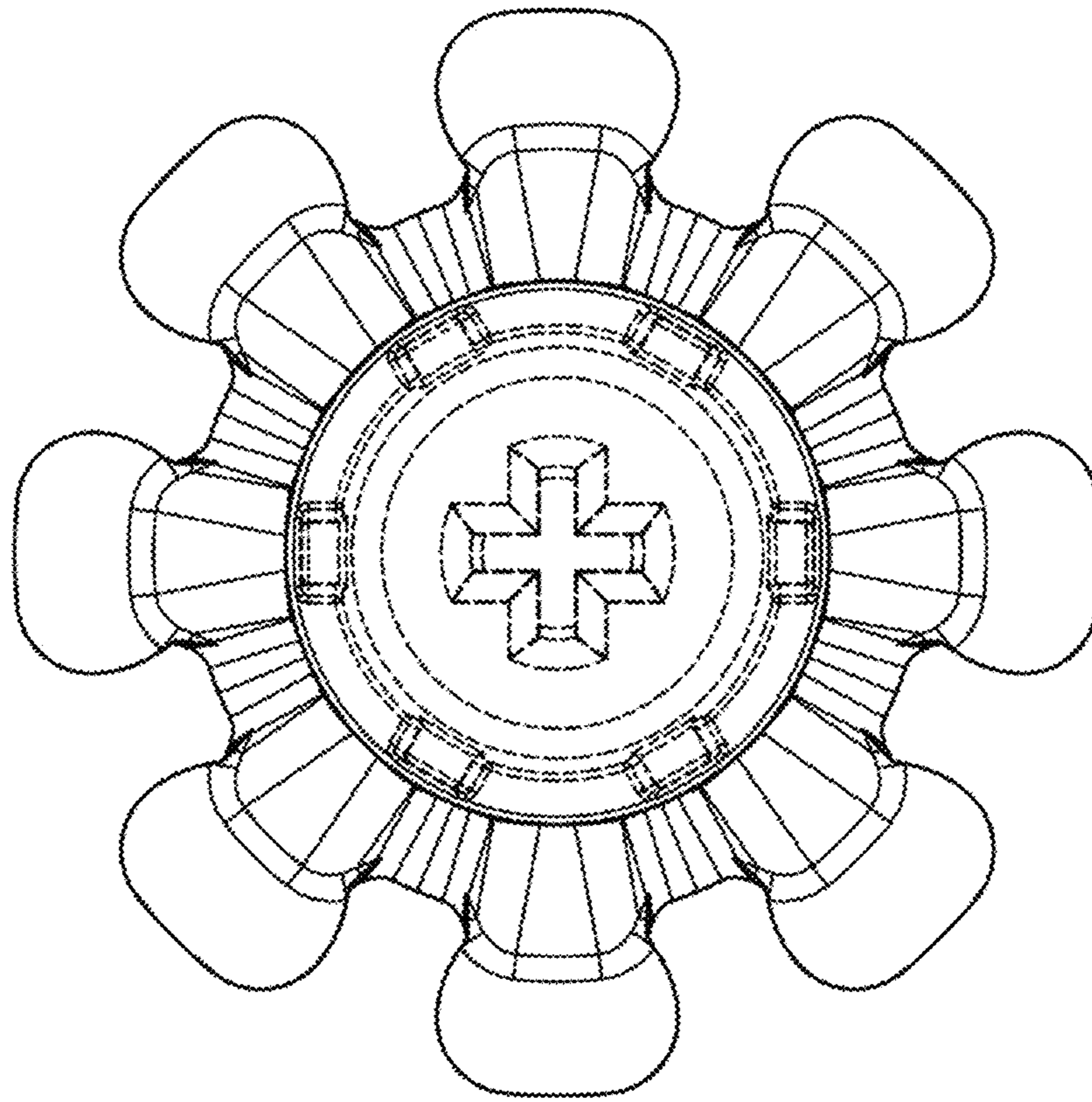


FIG. 4

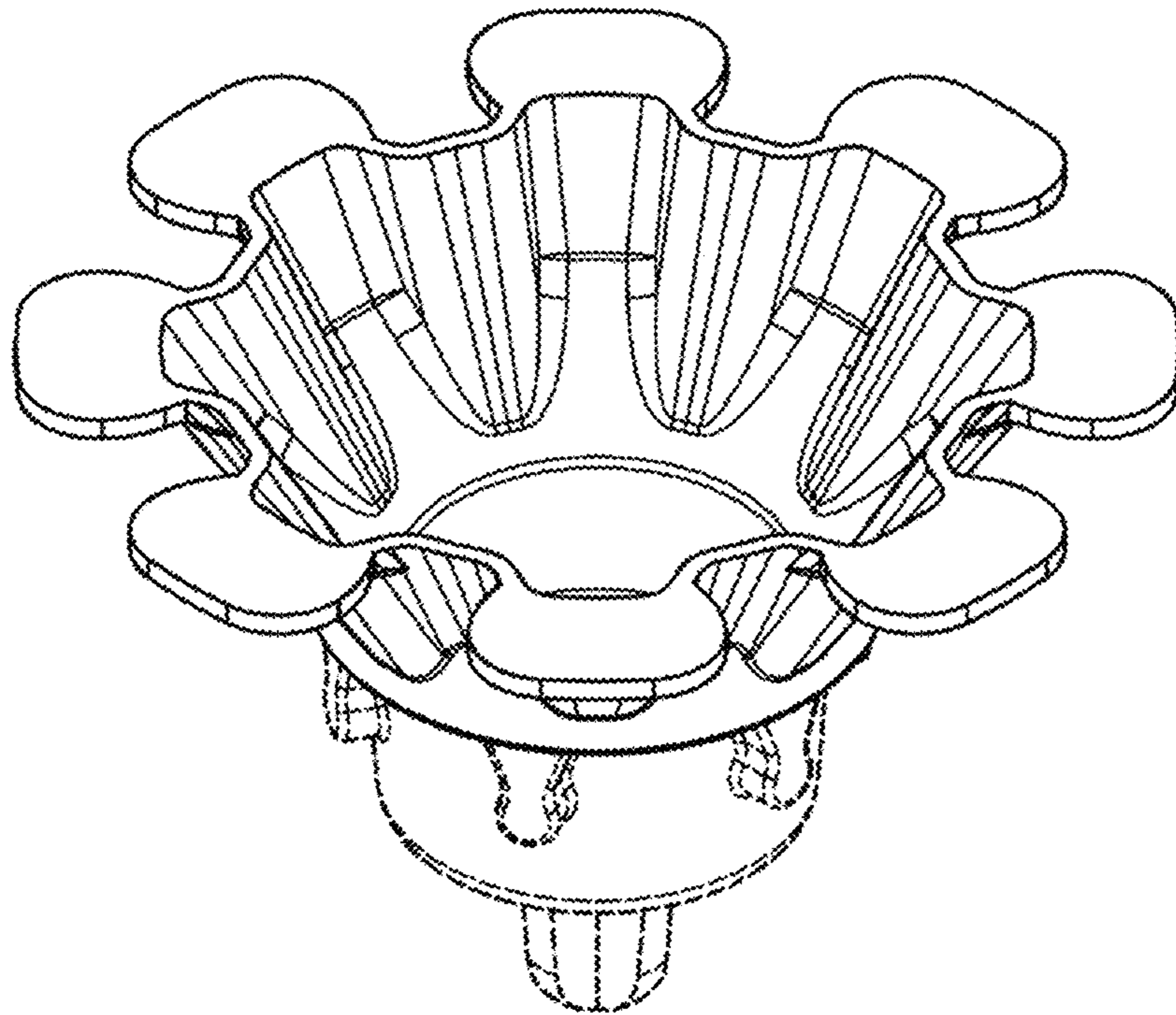


FIG. 5

UNITED STATES PATENT AND TRADEMARK OFFICE
CERTIFICATE OF CORRECTION

PATENT NO. : D964,147 S
APPLICATION NO. : 29/773231
DATED : September 20, 2022
INVENTOR(S) : Shane Timothy Daly et al.

Page 1 of 1

It is certified that error appears in the above-identified patent and that said Letters Patent is hereby corrected as shown below:

On the Title Page

Item (71) and item (72), change “Havelock North” to “Hastings”.

Signed and Sealed this
Eighth Day of November, 2022
Katherine Kelly Vidal

Katherine Kelly Vidal
Director of the United States Patent and Trademark Office