



US00D964146S

(12) **United States Design Patent** (10) **Patent No.:** **US D964,146 S**
Bohmbach et al. (45) **Date of Patent:** **** Sep. 20, 2022**

- (54) **DUAL SWIVEL CLIP** 8,341,808 B2 * 1/2013 Vermillion F16B 2/22
24/336
- (71) Applicant: **Tenacious Holdings, Inc.**, St. Paul, MN (US) D709,354 S * 7/2014 Komeno D8/356
9,375,074 B2 * 6/2016 Moreau A45F 5/06
D885,971 S * 6/2020 Swims D8/395
D886,665 S * 6/2020 Swims D8/395
- (72) Inventors: **Nathan Bohmbach**, Lakeville, MN (US); **Jeffery Popowski**, Roseville, MN (US) D908,871 S * 1/2021 Hu D24/128
D934,063 S * 10/2021 Buczynski D8/394
D934,670 S * 11/2021 Puga D8/395
D939,334 S * 12/2021 Jiao D8/394
D942,247 S * 2/2022 Laaksonen D8/354
D942,248 S * 2/2022 Laaksonen D8/354
- (73) Assignee: **Tenacious Holdings, Inc.**, St. Paul, MN (US) 2013/0193289 A1 * 8/2013 Goffman F16B 2/10
248/231.51
- (**) Term: **15 Years** 2021/0131485 A1 * 5/2021 Bohmbach F16B 2/22

(21) Appl. No.: **29/772,237**

(22) Filed: **Feb. 28, 2021**

Related U.S. Application Data

(63) Continuation of application No. 17/085,952, filed on Oct. 30, 2020, now Pat. No. 11,346,391, and a continuation of application No. 29/709,274, filed on Oct. 12, 2019, now Pat. No. Des. 914,482.

(51) **LOC (13) Cl.** **08-08**

(52) **U.S. Cl.**
USPC **D8/349**

(58) **Field of Classification Search**
USPC D8/349, 350-353, 354, 355, 363, 383,
D8/394, 395, 399; D11/200, 215;
D29/101.1, 122, 129

CPC F16B 2/22; F16B 2/24; F16B 2/246; A45F
5/00; A45F 5/02; A45F 5/021; A45F
2005/006; A45F 2005/025

See application file for complete search history.

(56) **References Cited**

U.S. PATENT DOCUMENTS

- 7,581,292 B2 * 9/2009 Votel A45F 5/06
24/336
- D637,712 S * 5/2011 Chau D24/129

* cited by examiner

Primary Examiner — Richard Kearney

Assistant Examiner — Benjamin M Weeks

(74) *Attorney, Agent, or Firm* — Skaar Ulbrich Macari, P.A.

(57) **CLAIM**

The ornamental design for a dual swivel clip, as shown and described.

DESCRIPTION

FIG. 1 is a front elevation view of a dual swivel clip showing our new design;

FIG. 2 is a back elevation view thereof;

FIG. 3 is a left side elevation view thereof;

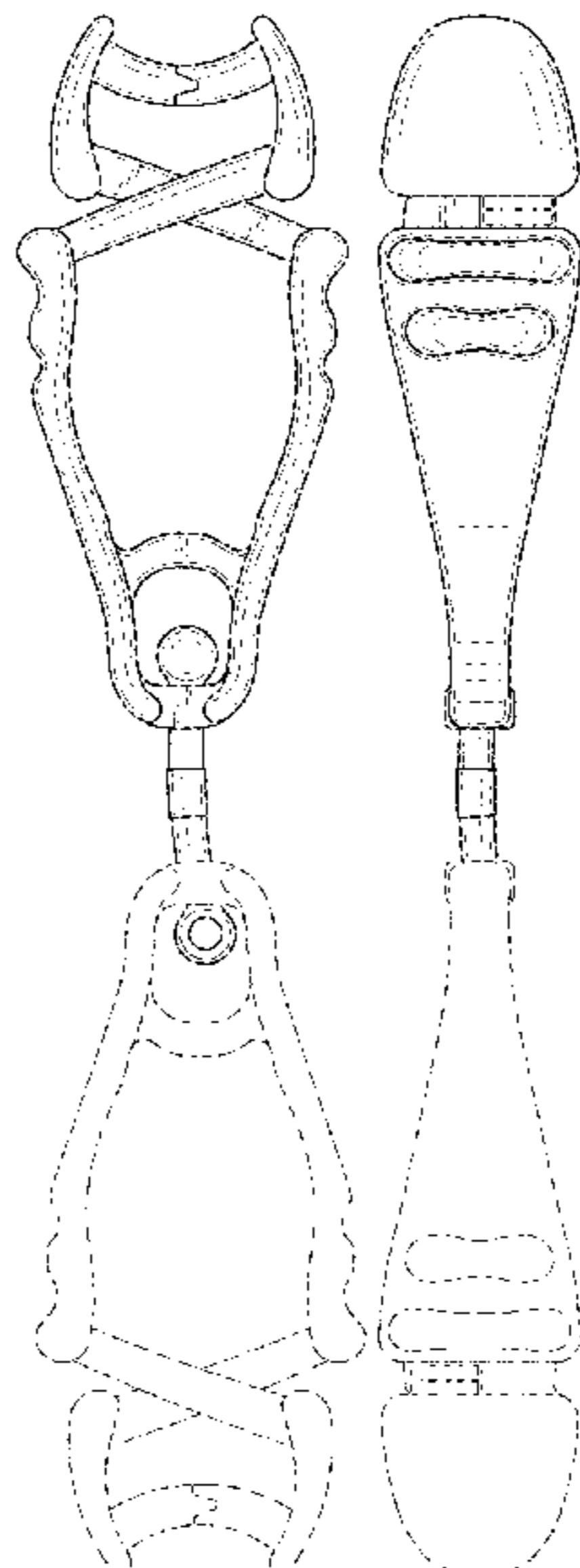
FIG. 4 is a right side elevation view thereof;

FIG. 5 is a top plan view thereof; and,

FIG. 6 is a bottom plan view thereof.

The broken lines represent portions of the dual swivel clip and form no part of the claimed design.

1 Claim, 6 Drawing Sheets



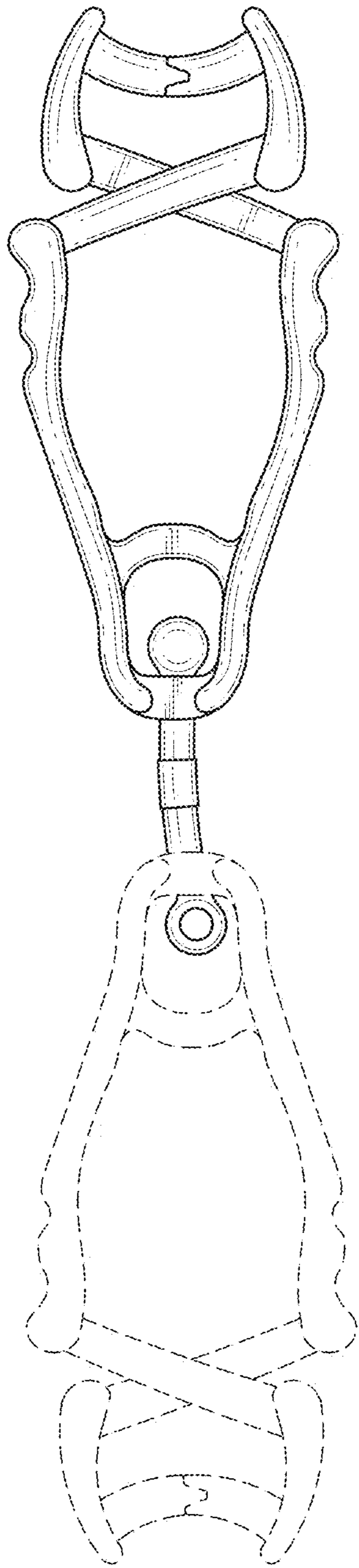


FIG. 1

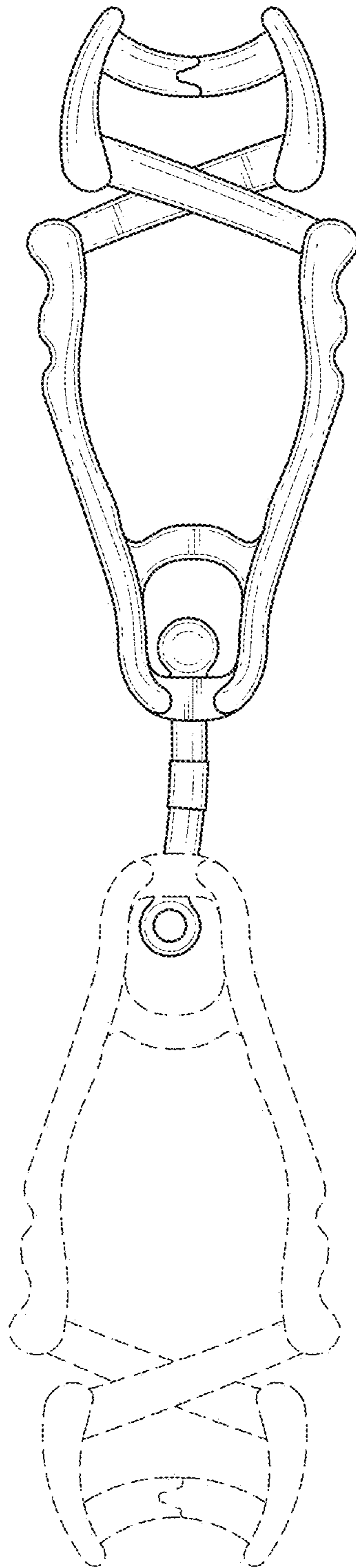


FIG. 2

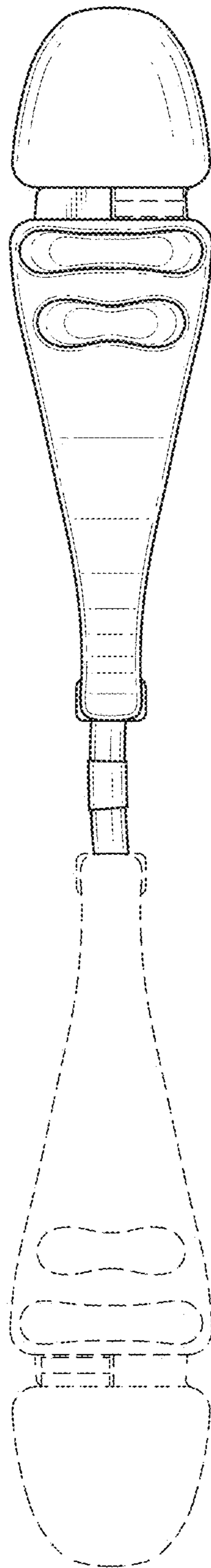


FIG. 3

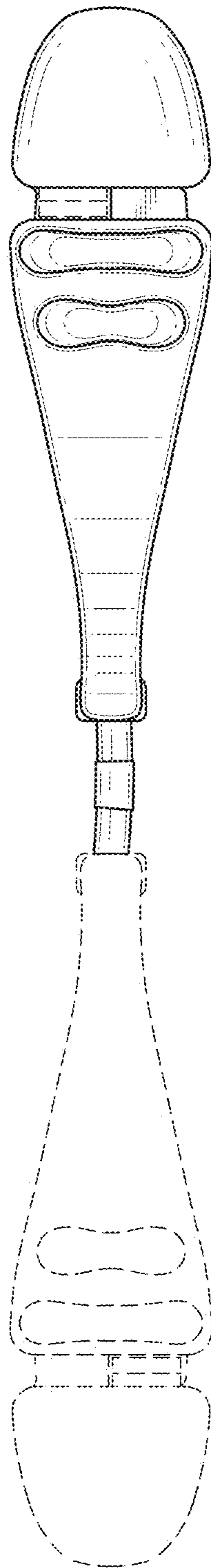


FIG. 4

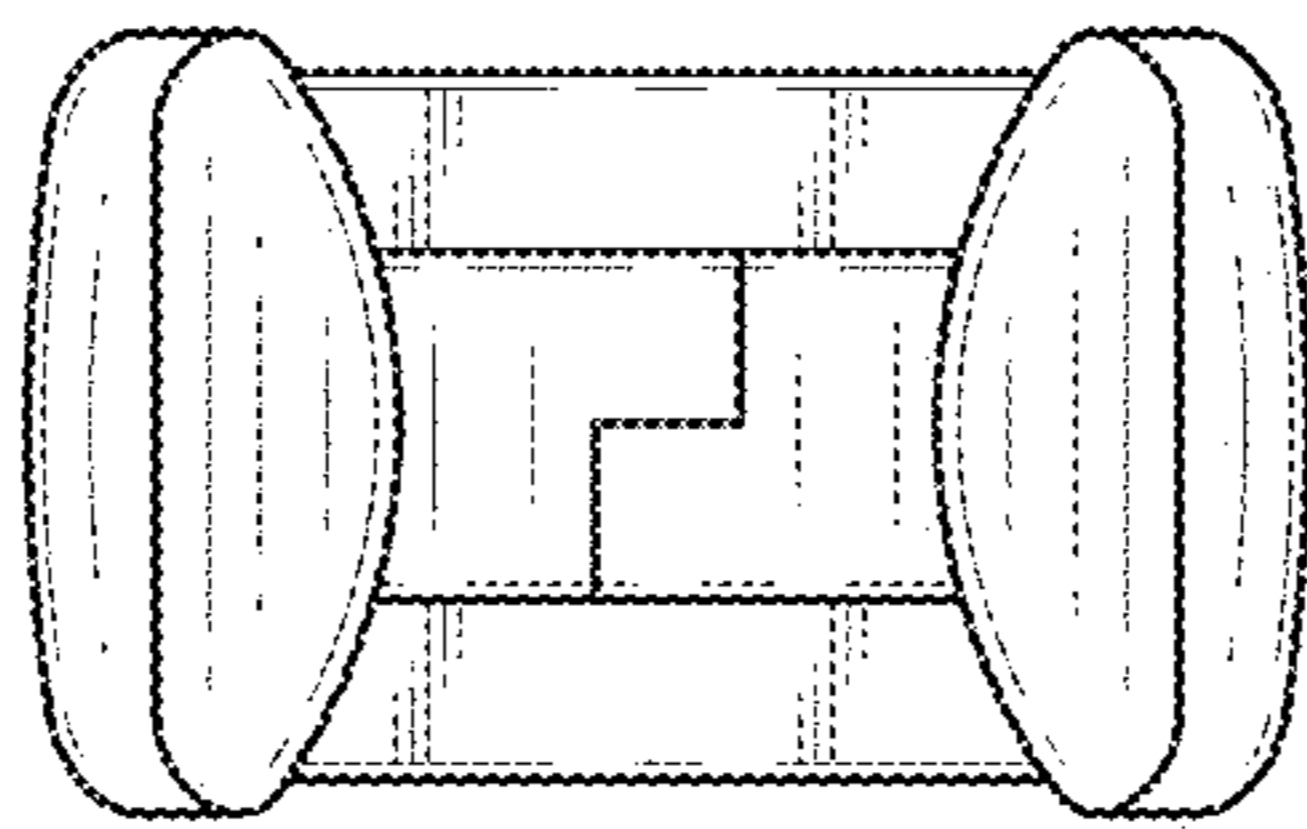


FIG. 5

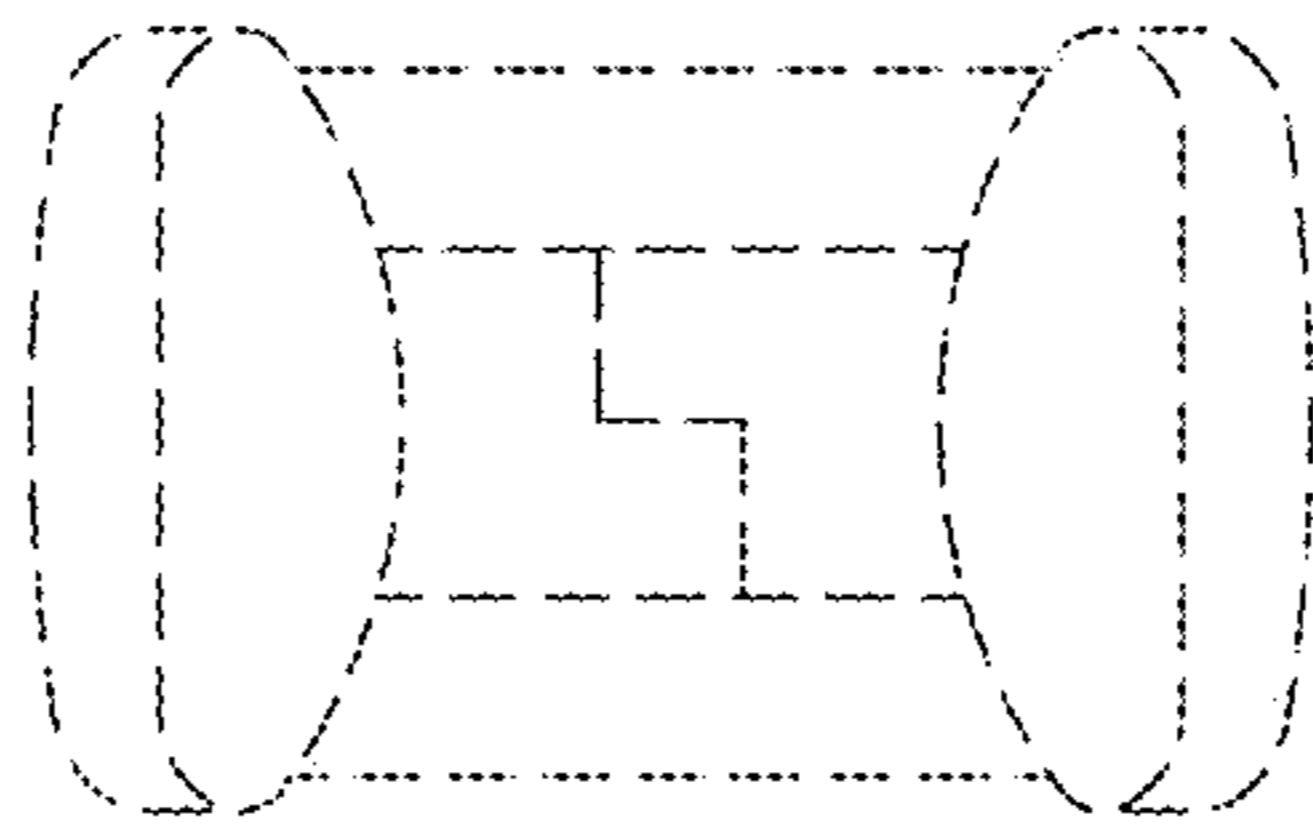


FIG. 6