



US00D964145S

(12) **United States Design Patent** (10) **Patent No.:** **US D964,145 S**  
**Moller et al.** (45) **Date of Patent:** **\*\* Sep. 20, 2022**

- (54) **SHOWER DOOR ASSEMBLIES**
- (71) Applicant: **Kohler Co.**, Kohler, WI (US)
- (72) Inventors: **Adam M. Moller**, Sheboygan, WI (US); **Erich D. Slothower**, Mill Valley, CA (US); **Thomas E. Lilly**, Sheboygan, WI (US)
- (73) Assignee: **KOHLER CO.**, Kohler, WI (US)
- (\*\*) Term: **15 Years**
- (21) Appl. No.: **29/831,628**
- (22) Filed: **Mar. 22, 2022**

- D523,124 S 6/2006 Lebrun et al.
- D544,585 S 6/2007 Lebrun et al.
- D564,643 S 3/2008 Pipe
- D565,385 S 4/2008 Jou
- 1,664,543 A1 4/2008 Easterman
- D568,973 S 5/2008 Pipe
- D600,056 S 9/2009 Careaga
- D603,490 S 11/2009 Stanchak
- D606,636 S 12/2009 Stanchak
- D718,608 S \* 12/2014 Russo ..... D8/328

(Continued)

*Primary Examiner* — Robert A Delehanty  
(74) *Attorney, Agent, or Firm* — Foley & Lardner LLP

(57) **CLAIM**

We claim the ornamental design for a shower door assemblies, as shown and described.

**DESCRIPTION**

FIG. 1 is a perspective view of the claimed design; FIG. 2 is another perspective view of the claimed design of FIG. 1; FIG. 3 is a rear view of the claimed design of FIG. 1; FIG. 4 is a front view of the claimed design of FIG. 1; FIG. 5 is a side view of the claimed design of FIG. 1; FIG. 6 is another side view of the claimed design of FIG. 1; FIG. 7 is a top view of the claimed design of FIG. 1; FIG. 8 is a bottom view of the claimed design of FIG. 1; and, FIG. 9 is a detail view of the claimed design of FIG. 1.

The ornamental design that is claimed is shown in the drawings as solid lines and surfaces having surface shading. The broken lines in the drawings are for illustrative purposes only and form no part of the claimed design. For example, broken lines formed by equal length dashes show unclaimed portions of the design. Broken lines formed of unequal length dashes (i.e., dash-dot) show boundaries between either claimed and unclaimed portions of the design or between unclaimed and unclaimed portions of the design.

**Related U.S. Application Data**

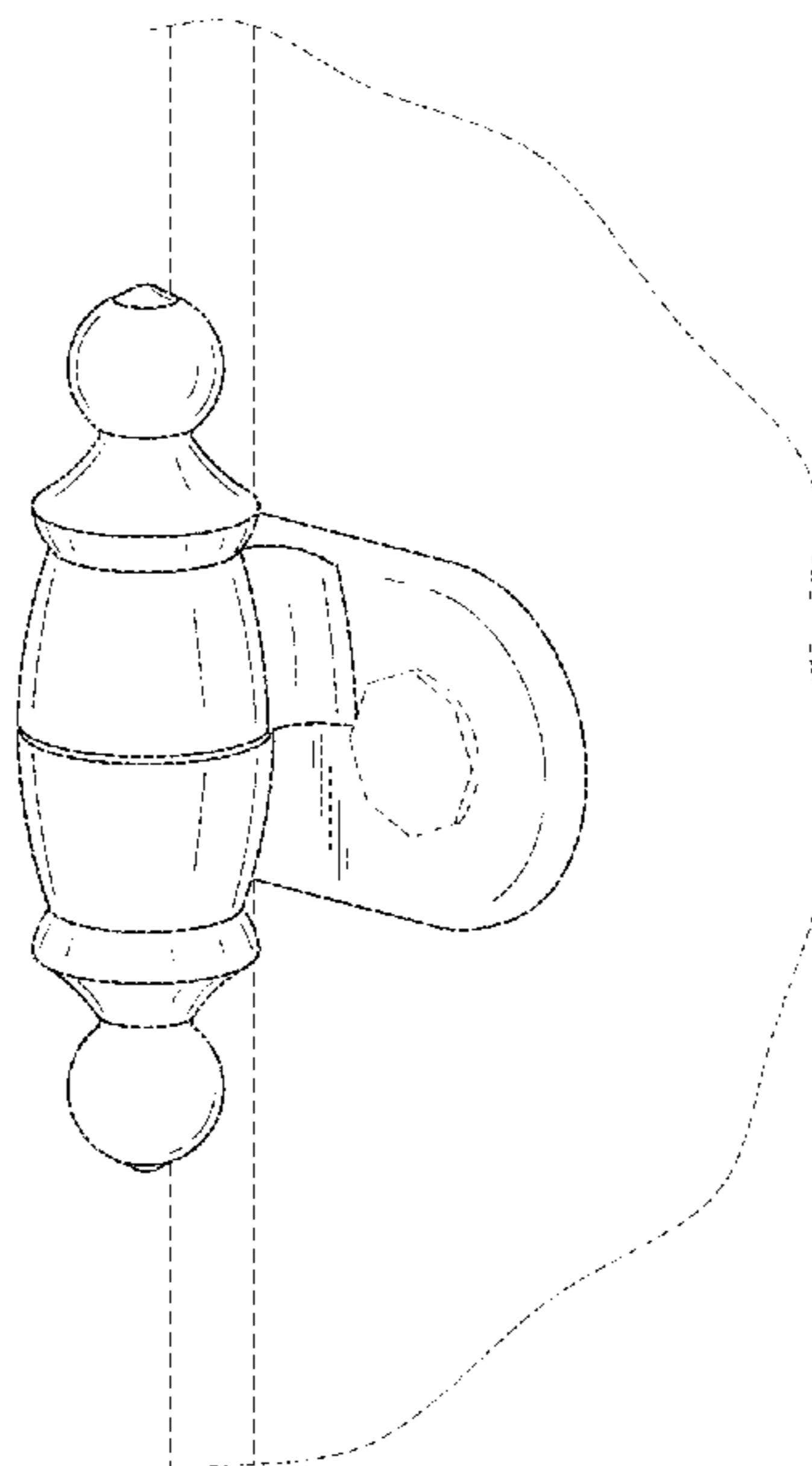
- (62) Division of application No. 29/807,873, filed on Sep. 15, 2021, now Pat. No. Des. 949,670, which is a division of application No. 29/692,257, filed on May 23, 2019, now Pat. No. Des. 934,399.
- (51) **LOC (13) Cl.** ..... **08-05**
- (52) **U.S. Cl.**  
USPC ..... **D8/328**
- (58) **Field of Classification Search**  
USPC .... D23/283, 304–305; D25/48.3, 48.5, 48.8, D25/103; D8/310, 315, 323, 360, 363, D8/376–377, 328  
CPC . A47K 3/34; A47K 3/36; A47K 3/362; A47K 3/367; A47K 3/283; A47K 3/284; E06B 3/4681; E06B 3/02; E06B 3/4636  
See application file for complete search history.

(56) **References Cited**

**U.S. PATENT DOCUMENTS**

- D251,410 S 3/1979 Pittenger
- D321,755 S 11/1991 Poulson et al.
- 5,642,959 A 7/1997 Greferath

**1 Claim, 7 Drawing Sheets**



(56)

**References Cited**

U.S. PATENT DOCUMENTS

D792,188	S	7/2017	Zimmer	
D792,753	S	* 7/2017	Brothers .....	D8/323
D803,569	S	11/2017	Fusi	
D816,816	S	5/2018	Shtraks et al.	
10,036,190	B2	7/2018	Minkovich et al.	
D826,684	S	8/2018	Tseng	
D834,924	S	12/2018	Mei et al.	
10,455,989	B2	10/2019	Wei	
2004/0003459	A1	1/2004	Ferreri et al.	
2017/0311763	A1	11/2017	Morin et al.	
2018/0344098	A1	12/2018	Lieb et al.	
2019/0038084	A1	2/2019	Abrams et al.	
2019/0254486	A1	8/2019	Mironchuk et al.	
2021/0062562	A1	3/2021	Kao et al.	

\* cited by examiner

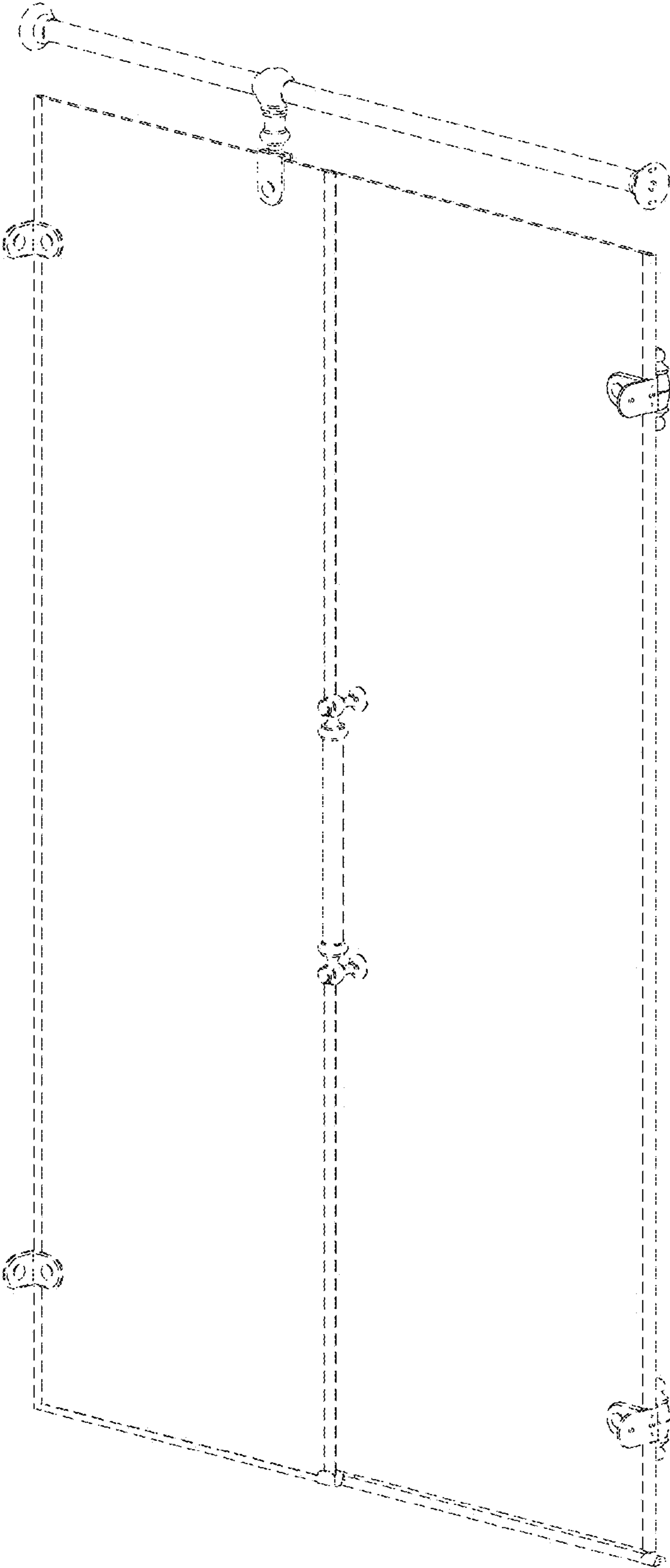


FIG. 1

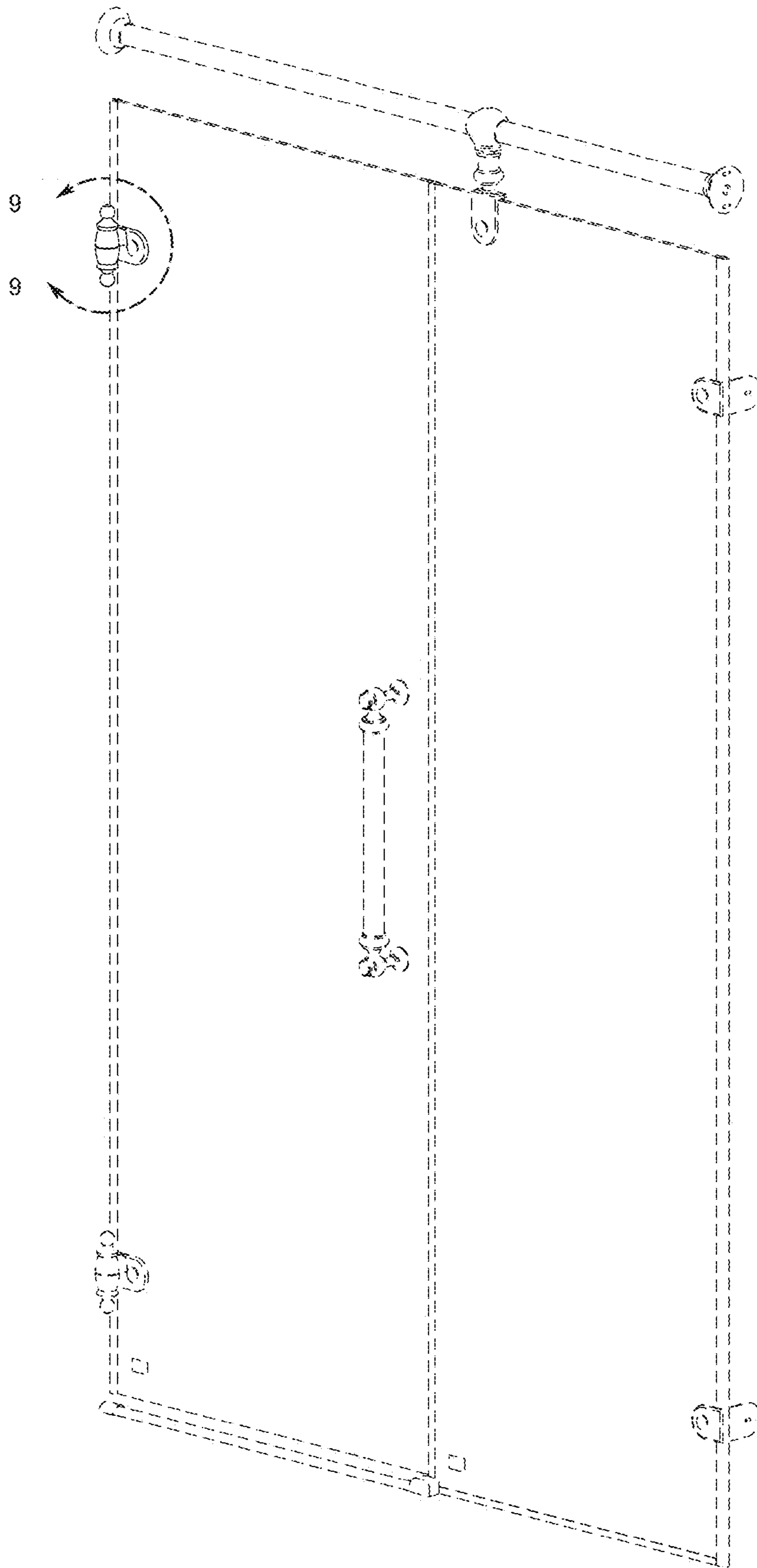


FIG. 2

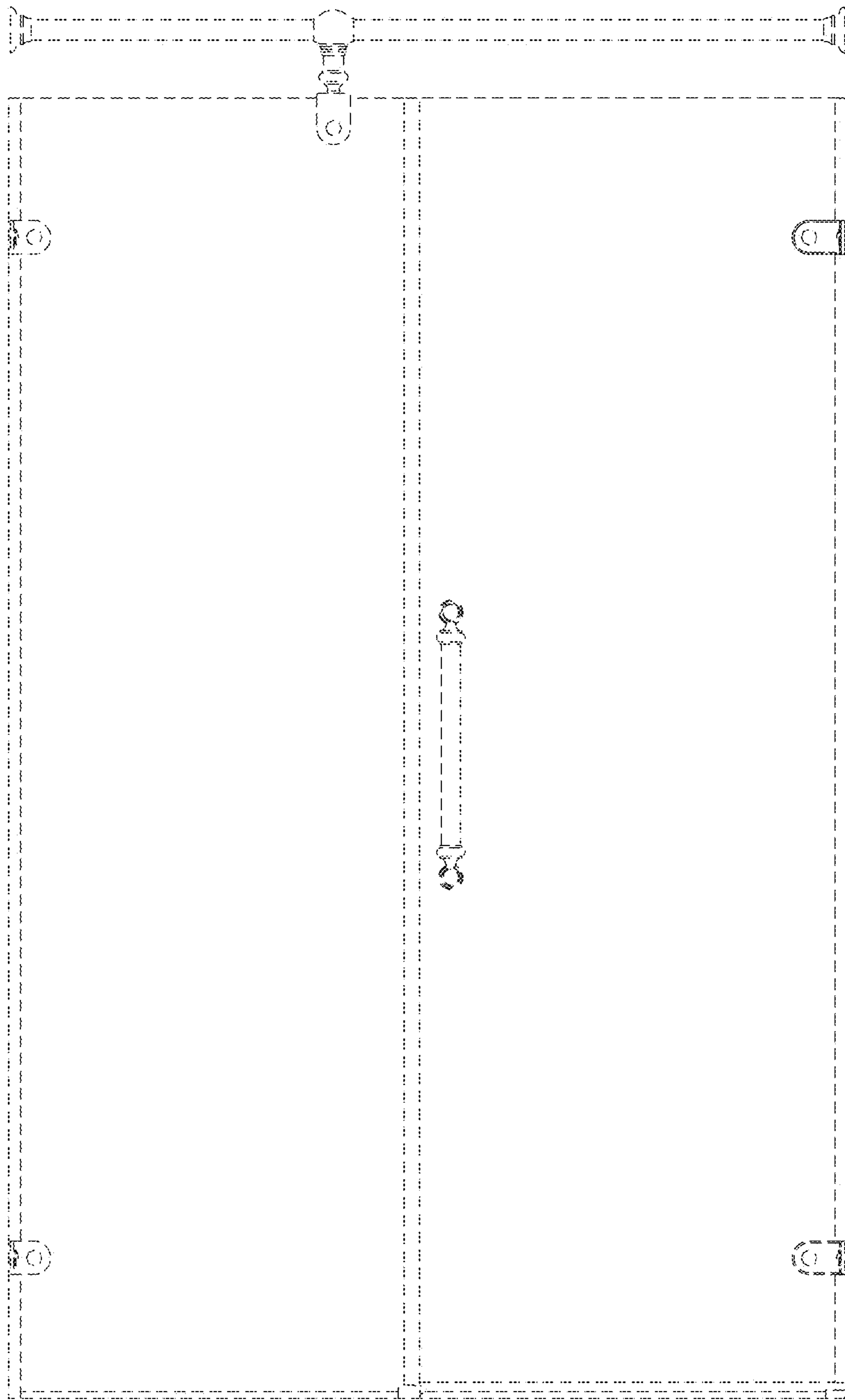


FIG. 3

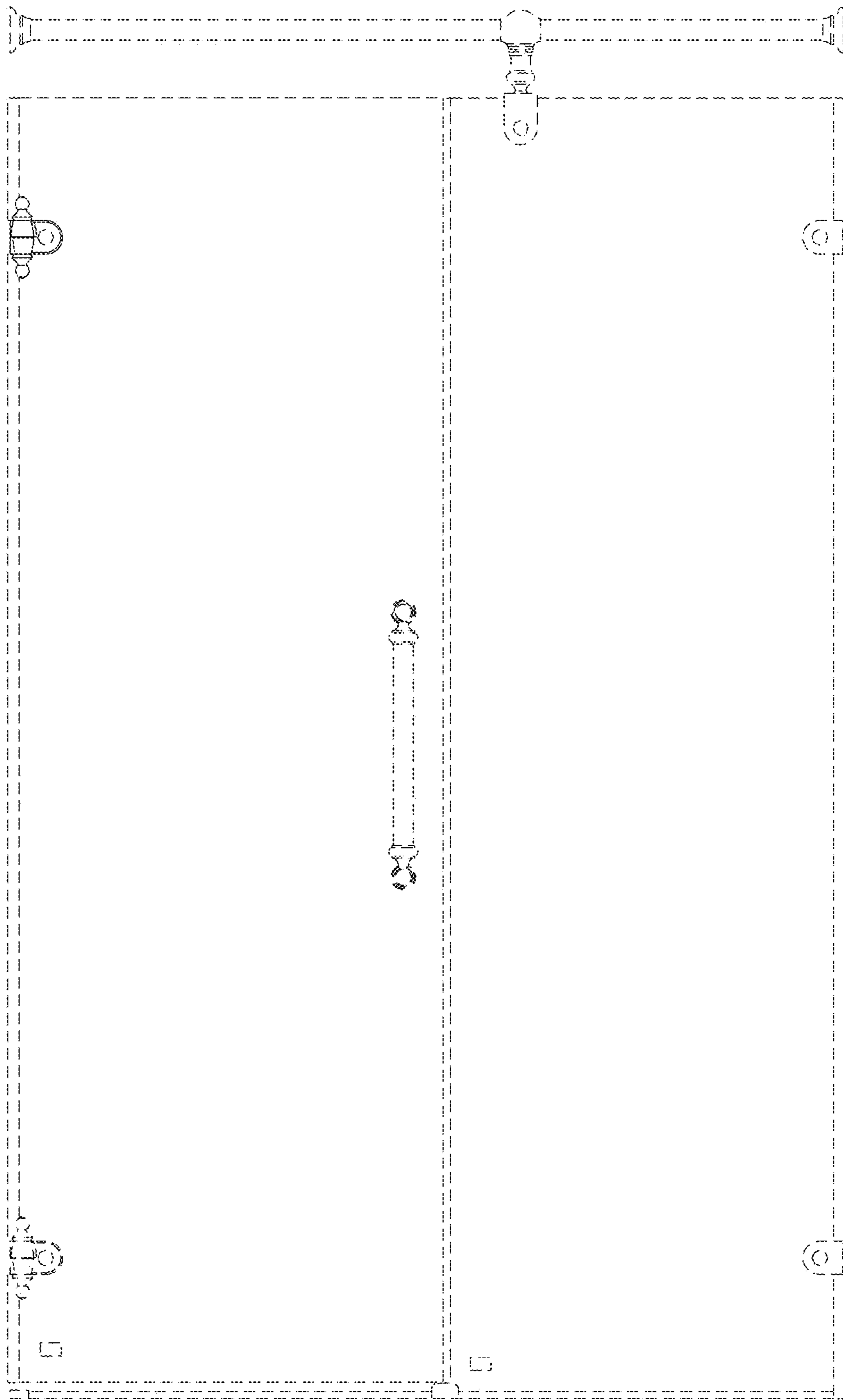


FIG. 4

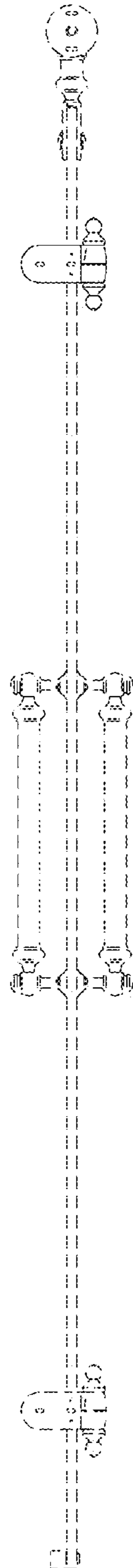


FIG. 5

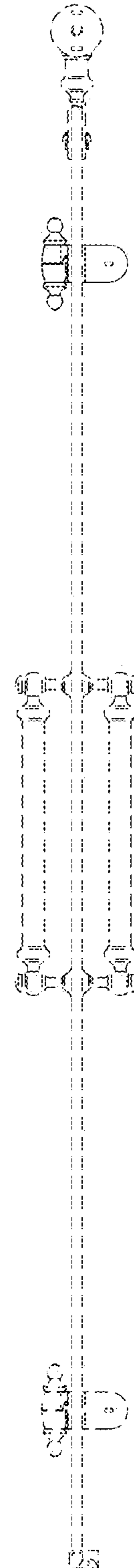


FIG. 6

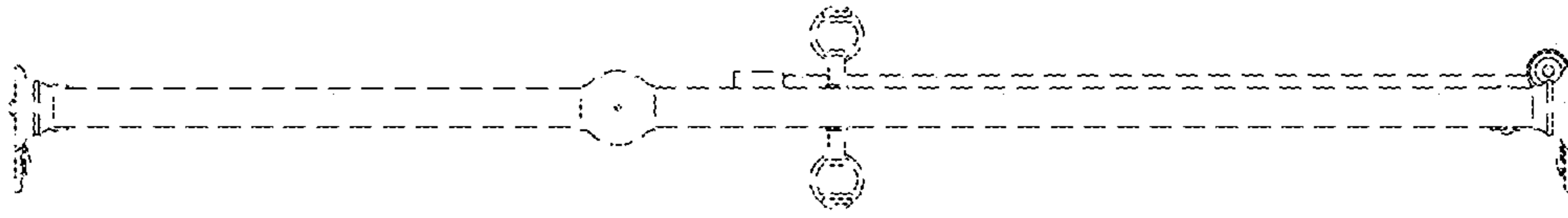


FIG. 7

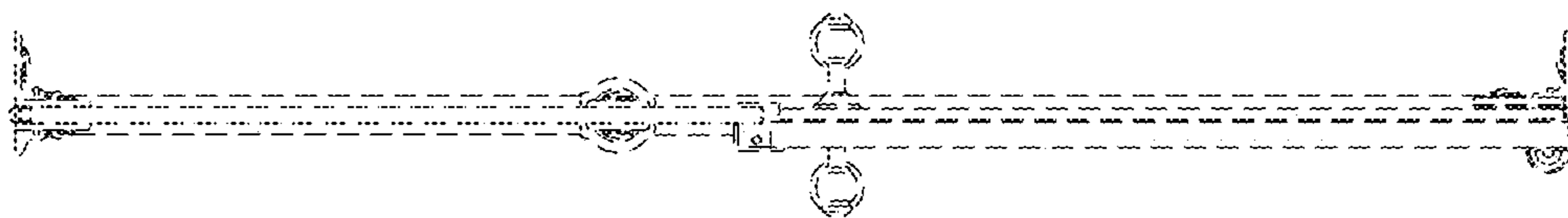


FIG. 8



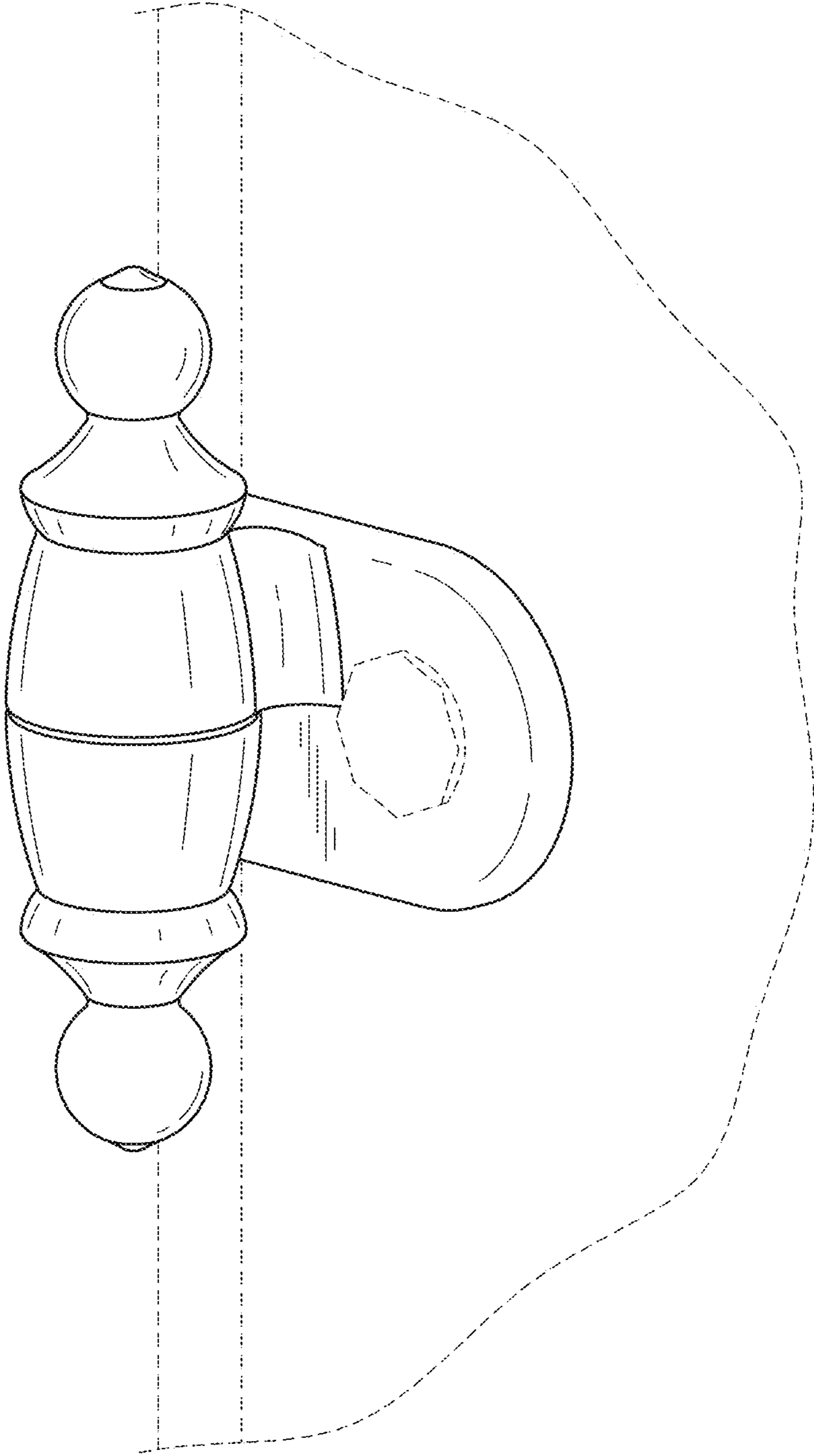


FIG. 9