



US00D964143S

(12) **United States Design Patent** (10) **Patent No.:** **US D964,143 S**
LaPorte et al. (45) **Date of Patent:** **** Sep. 20, 2022**

(54) **HAND GUARD**

D269,849 S * 7/1983 Morgan D8/303
D313,336 S * 1/1991 Williams D8/322
5,195,212 A * 3/1993 Colwell B25G 1/10
16/DIG. 12

(71) Applicant: **Phonosoap LLC**, Lehi, UT (US)

(Continued)

(72) Inventors: **Wesley David LaPorte**, Provo, UT (US); **Henry Joseph Howell**, Herriman, UT (US); **Steven James Perry**, Lehi, UT (US); **Preston Evan Price**, Cottonwood Heights, UT (US)

Primary Examiner — Lauren R Calve

(74) *Attorney, Agent, or Firm* — Stoel Rives LLP

(73) Assignee: **PHONESOAP LLC**, Lehi, UT (US)

(57) **CLAIM**

The ornamental design for a hand guard, as shown and described.

(**) Term: **15 Years**

DESCRIPTION

(21) Appl. No.: **29/774,235**

(22) Filed: **Mar. 15, 2021**

(51) **LOC (13) Cl.** **08-06**

(52) **U.S. Cl.**
USPC **D8/322**; D29/113

(58) **Field of Classification Search**
USPC D8/107, 300, 303, 307, 321, 322;
D7/393, 395; D9/434; D29/113, 114
CPC Y10T 16/44; Y10T 74/20612; Y10T
74/20287; Y10T 74/20732; Y10T
74/20828; Y10T 16/466; Y10T 74/20864;
Y10T 16/469; Y10T 74/20822; Y10T
16/4713; Y10T 74/20396; B25B 23/16;
B25G 1/102; B25G 1/105; B25G 1/10;
B25G 1/00; B25G 1/063; B25G 1/005;
B25G 1/01; B25G 1/043; B25G 1/085;
A61L 2/10; A61L 2/28; A61L 2202/11;
A61L 2202/14

See application file for complete search history.

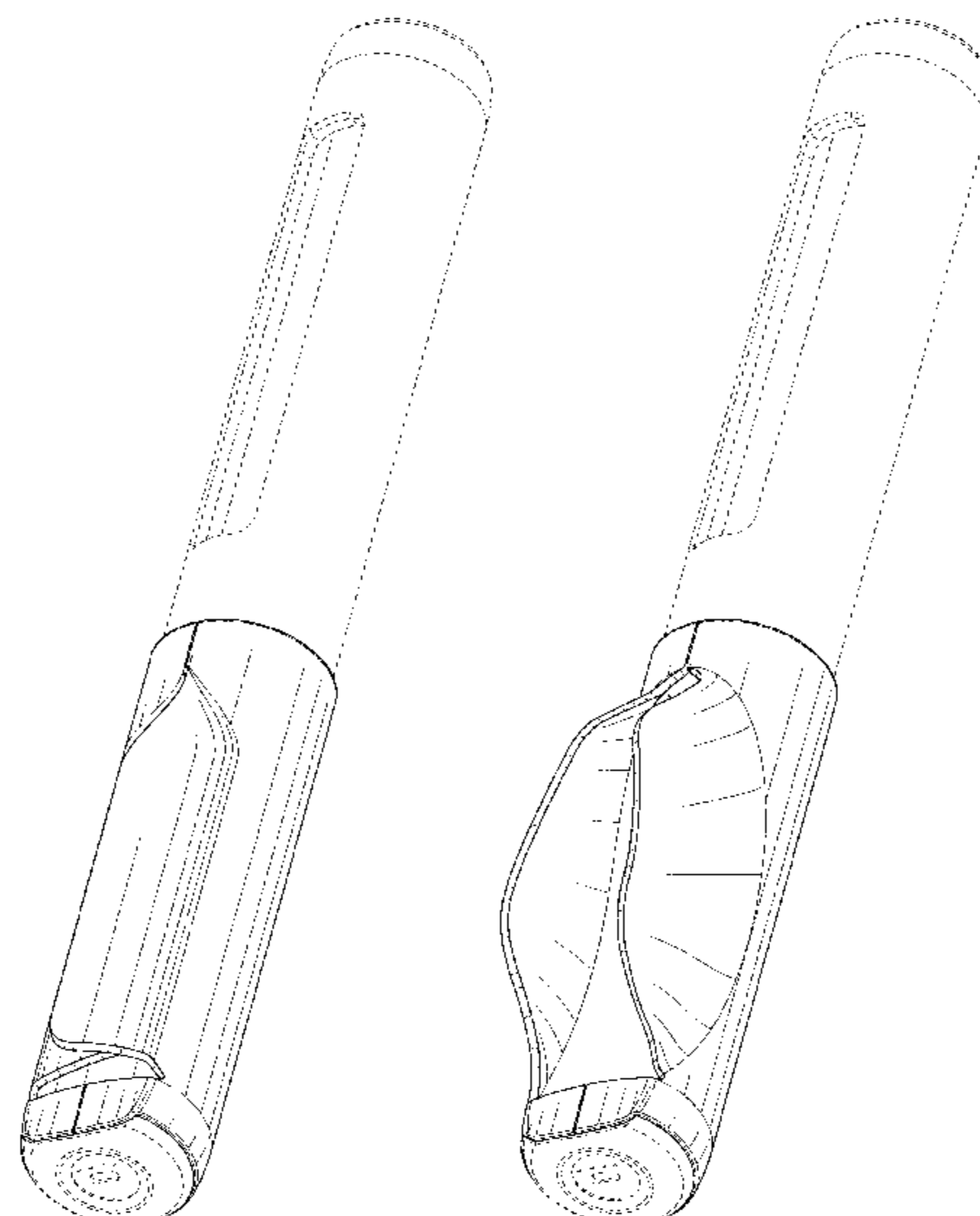
(56) **References Cited**

U.S. PATENT DOCUMENTS

1,058,585 A * 4/1913 Herzog B25J 15/0616
294/33
3,083,366 A * 3/1963 Frances A45F 5/1046
294/171

FIG. 1 is a top, front, and left perspective view of a hand guard in a closed configuration for a sanitizing wand of our new design.
FIG. 2 is a bottom, rear, and right perspective view thereof.
FIG. 3 is a bottom view thereof.
FIG. 4 is a top view thereof.
FIG. 5 is a front view thereof.
FIG. 6 is a rear view thereof.
FIG. 7 is a right side view thereof.
FIG. 8 is a left side view thereof.
FIG. 9 is a top, front, and left perspective view of the hand guard of FIG. 1 in an opened configuration.
FIG. 10 is a top, front, and left perspective view thereof.
FIG. 11 is a bottom view thereof.
FIG. 12 is a top view thereof.
FIG. 13 is a front view thereof.
FIG. 14 is a rear view thereof.
FIG. 15 is a right side view thereof.
FIG. 16 is a left side view thereof.
FIG. 17 is a front perspective view of the hand guard of FIG. 1 with a user grasping the sanitizing wand; and,
FIG. 18 is a top perspective view of the hand guard of FIG. 1 with a user grasping the sanitizing wand.
The broken lines showing the sanitizing wand and the user's hand illustrate environmental structure which form no part of the claimed design.

1 Claim, 8 Drawing Sheets



(56)

References Cited

U.S. PATENT DOCUMENTS

5,575,721 A * 11/1996 Lilly A63B 53/14
473/282
5,775,756 A * 7/1998 Rozenich A63B 21/4017
482/106
D613,861 S * 4/2010 Hunter D24/130
D651,356 S * 12/2011 Logan D29/114
9,000,398 B2 * 4/2015 Nelson A61L 2/10
15/4
10,422,158 B2 * 9/2019 Strombeck E05B 1/0069
11,331,400 B2 * 5/2022 Rafko A61L 2/18

* cited by examiner

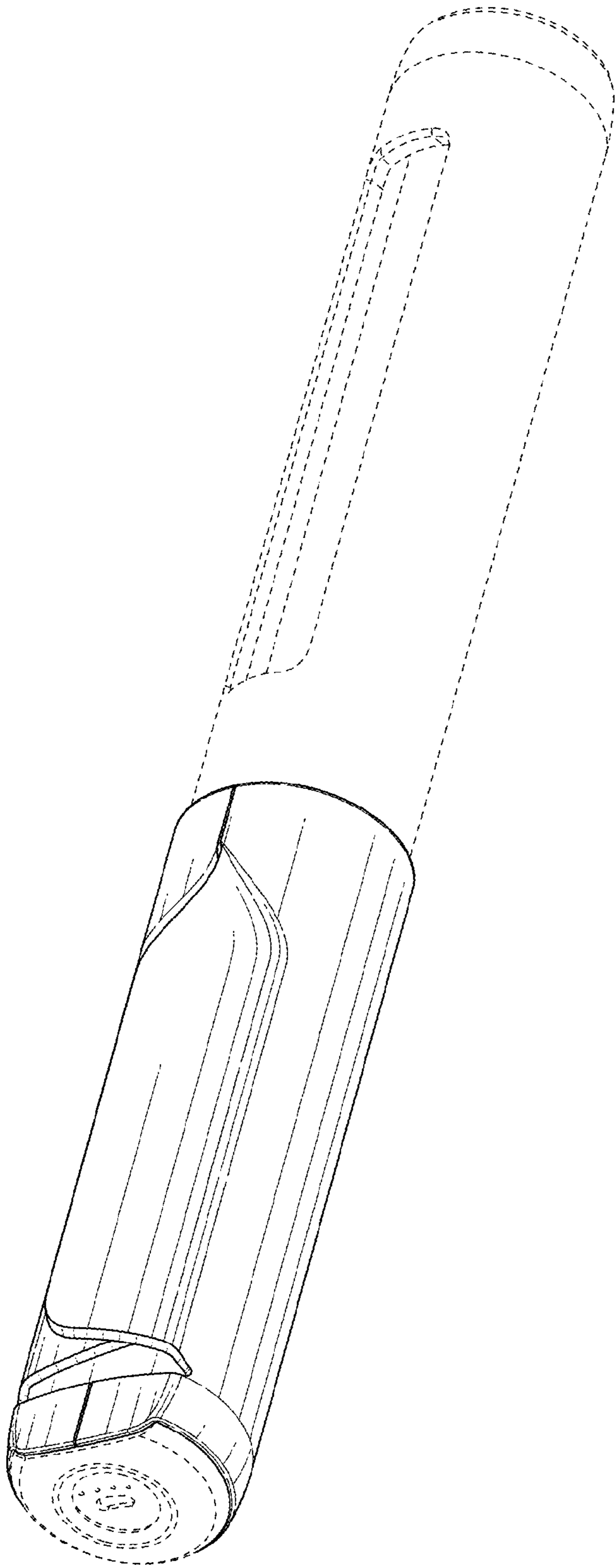


FIG. 1

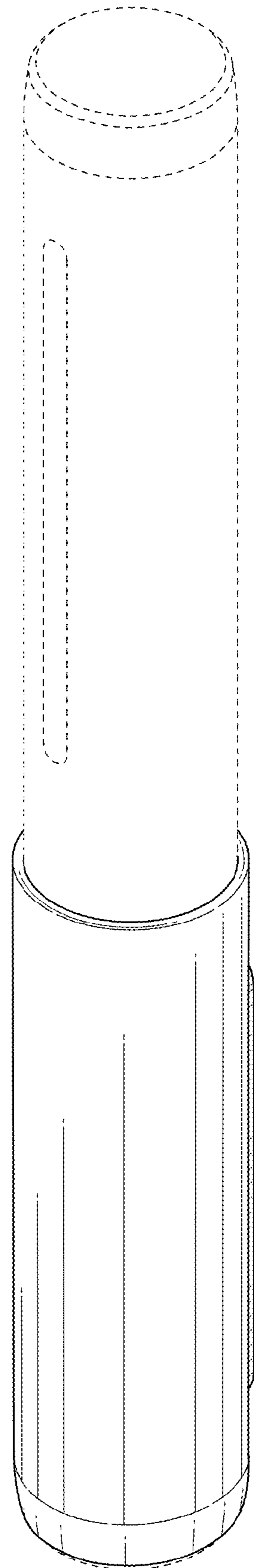


FIG. 2

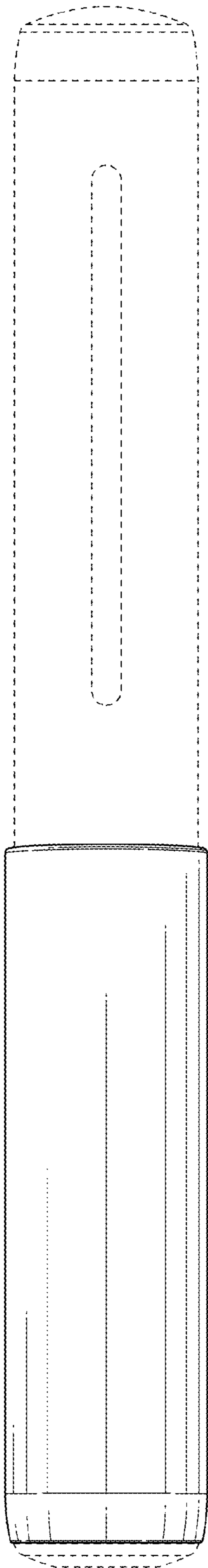


FIG. 3

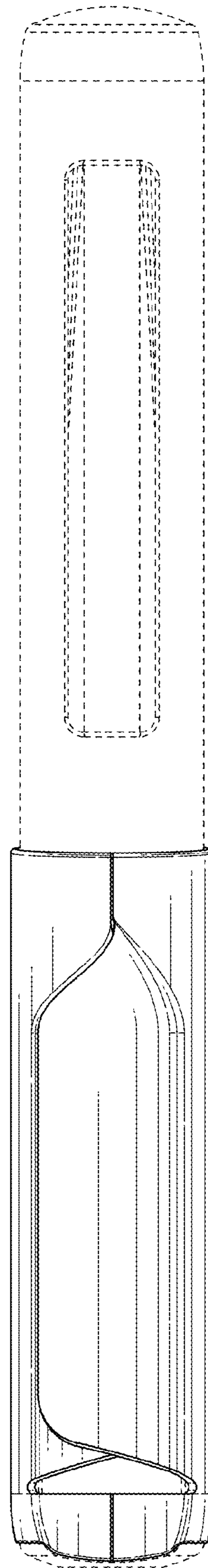


FIG. 4

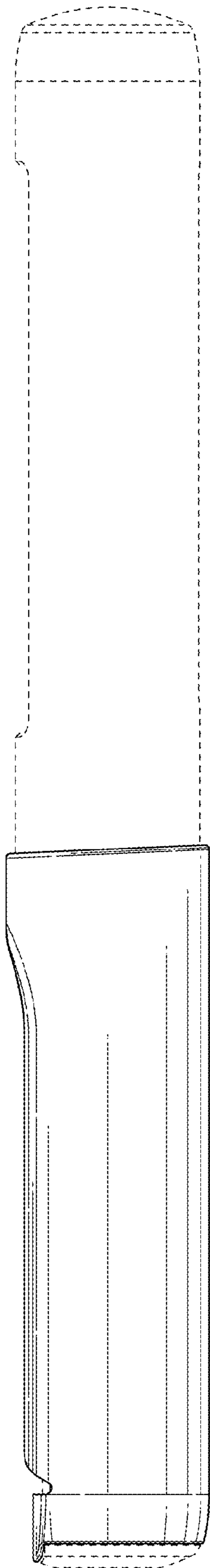


FIG. 5

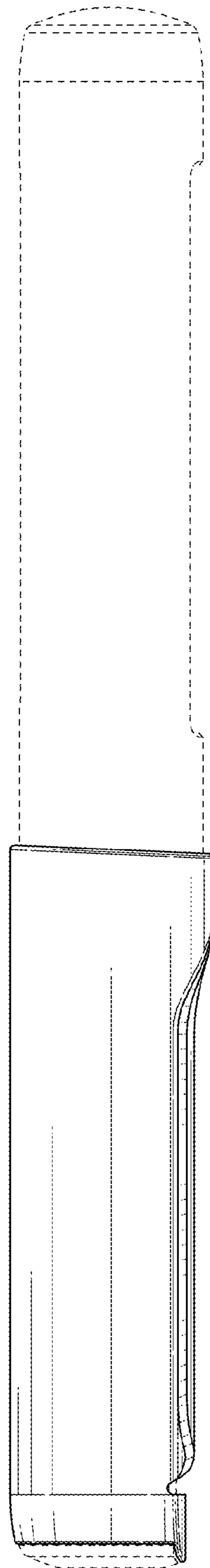


FIG. 6

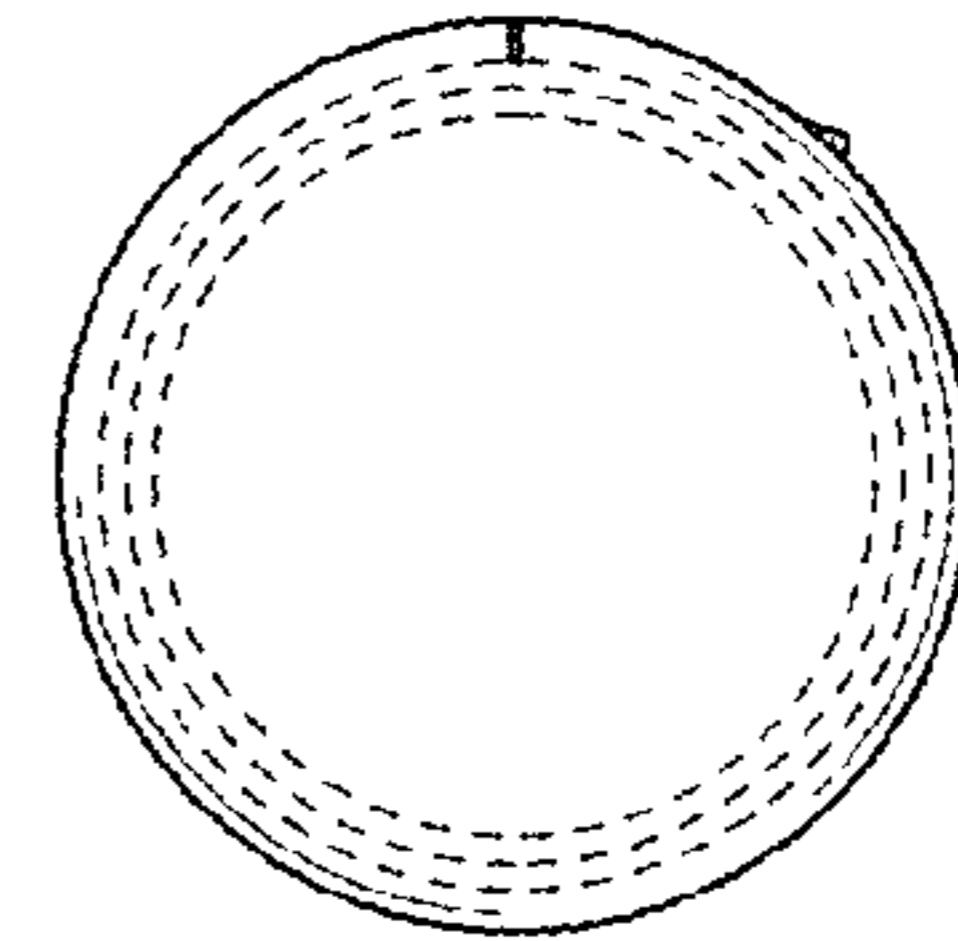


FIG. 7

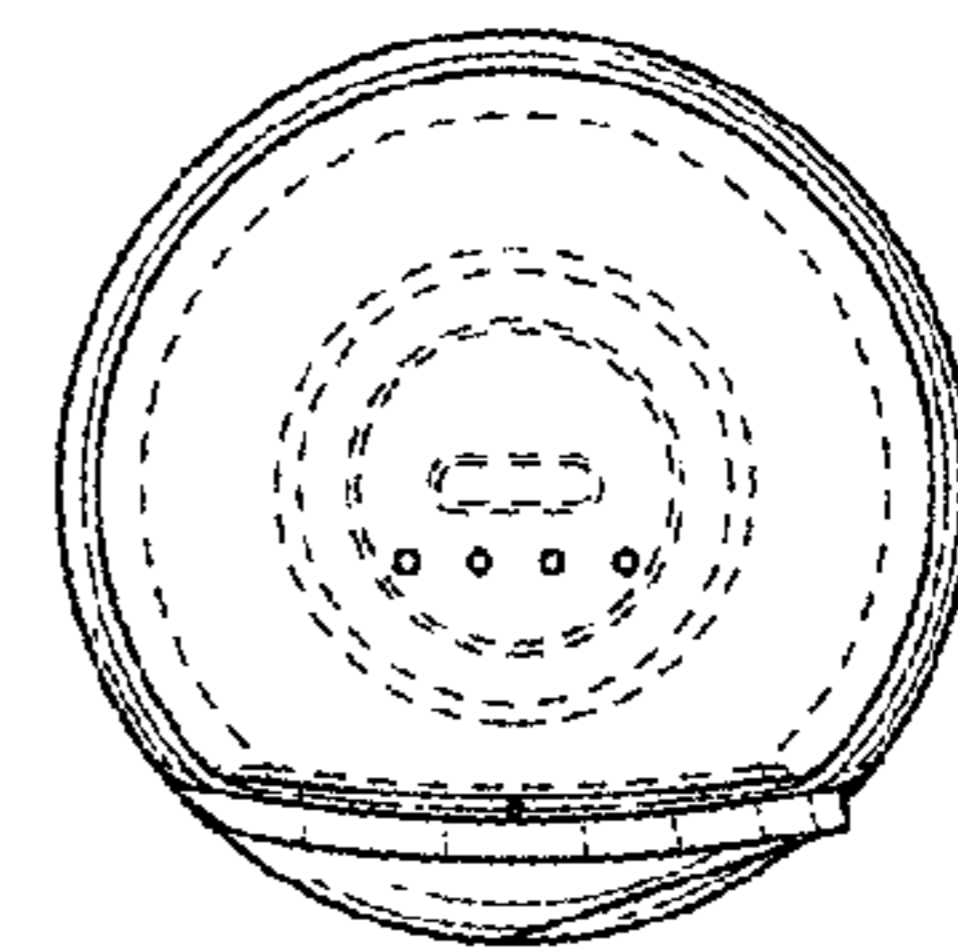


FIG. 8

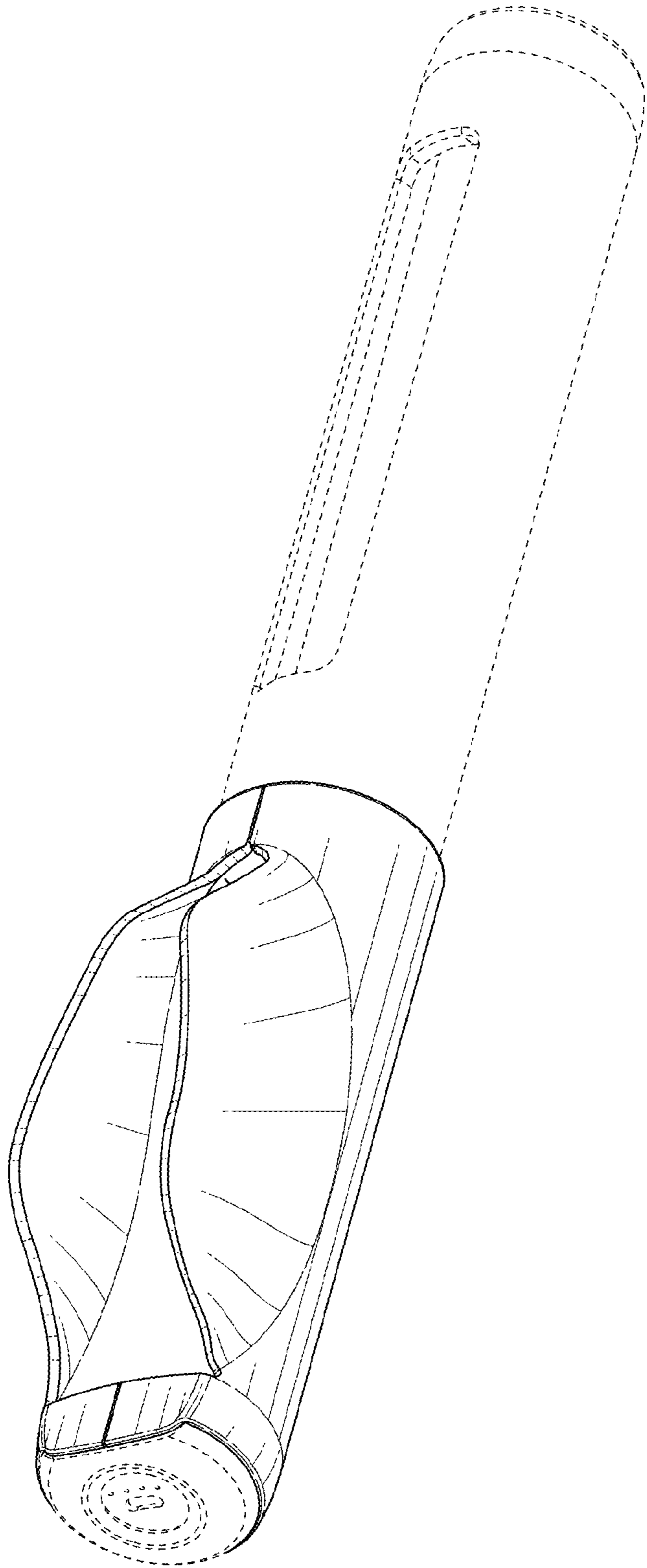


FIG. 9

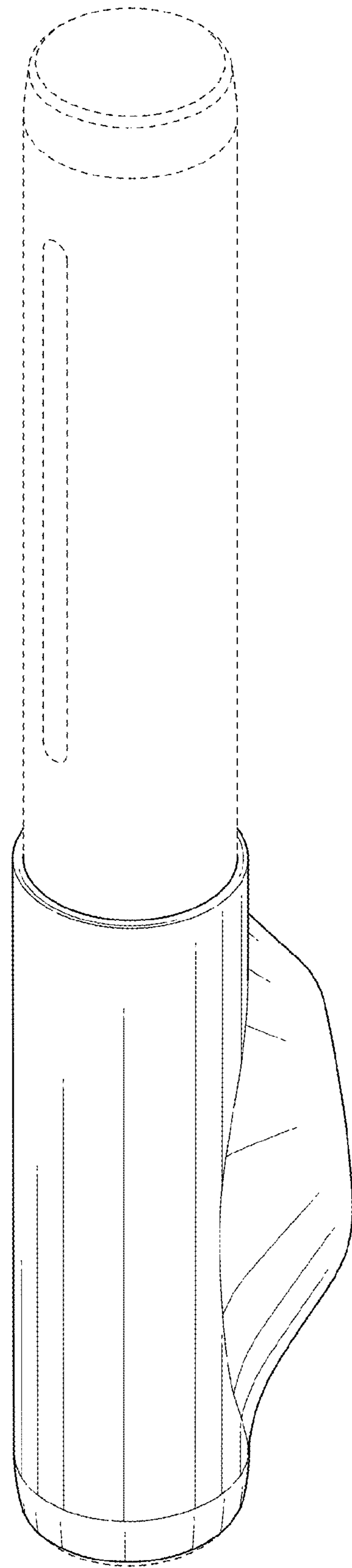


FIG. 10

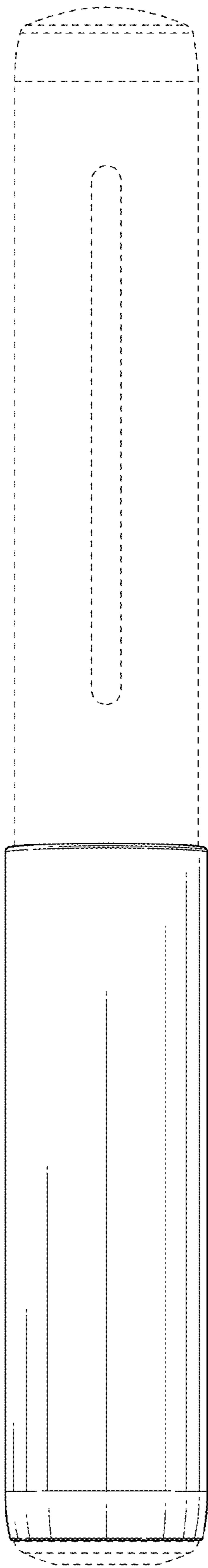


FIG. 11

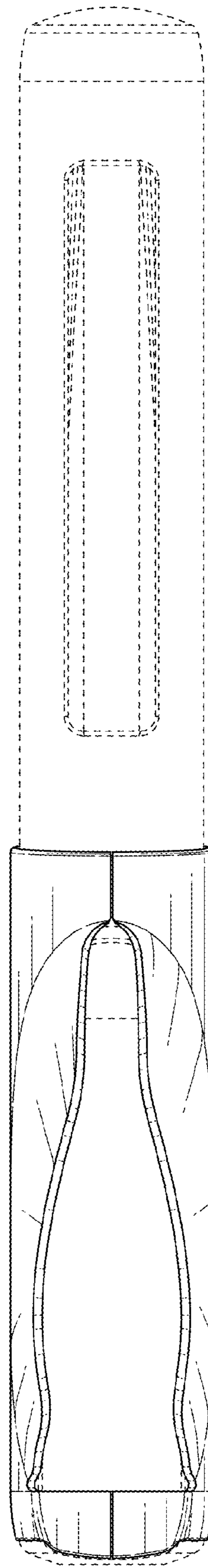


FIG. 12

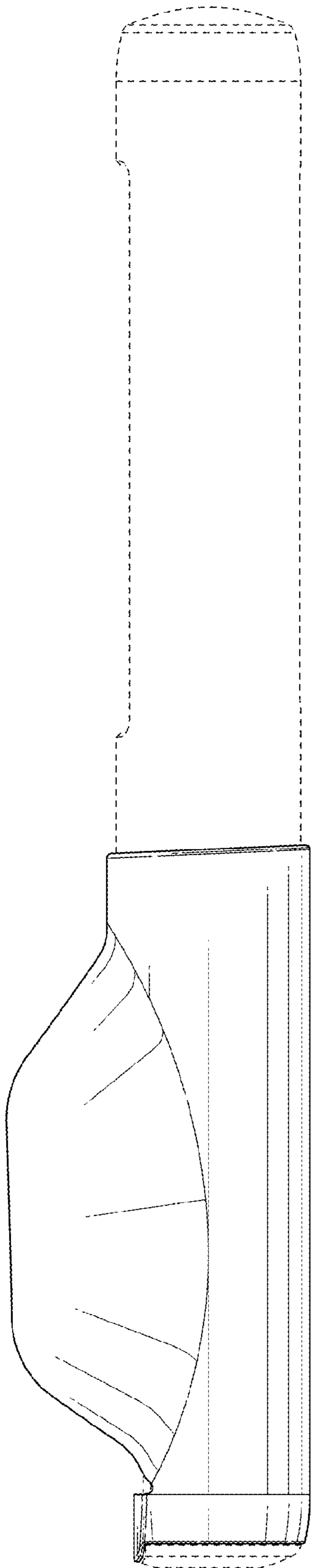


FIG. 13

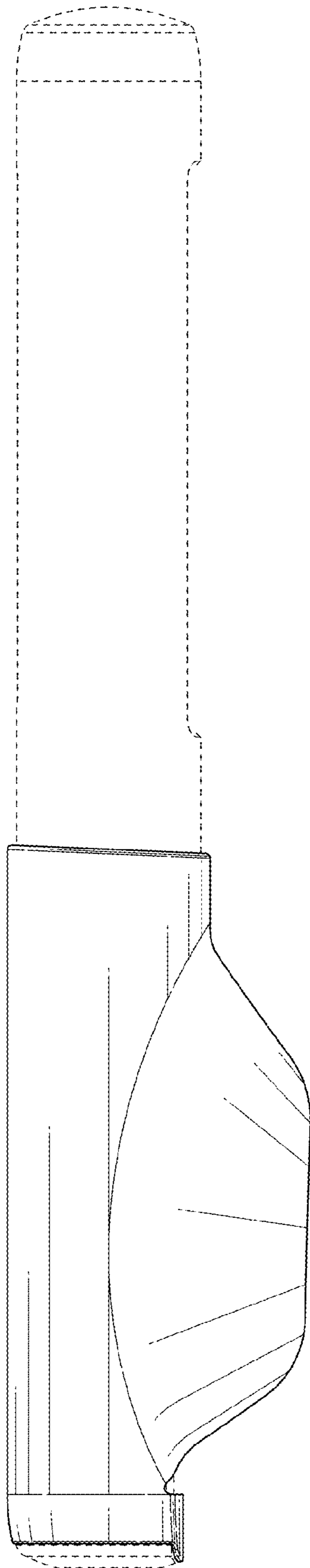


FIG. 14

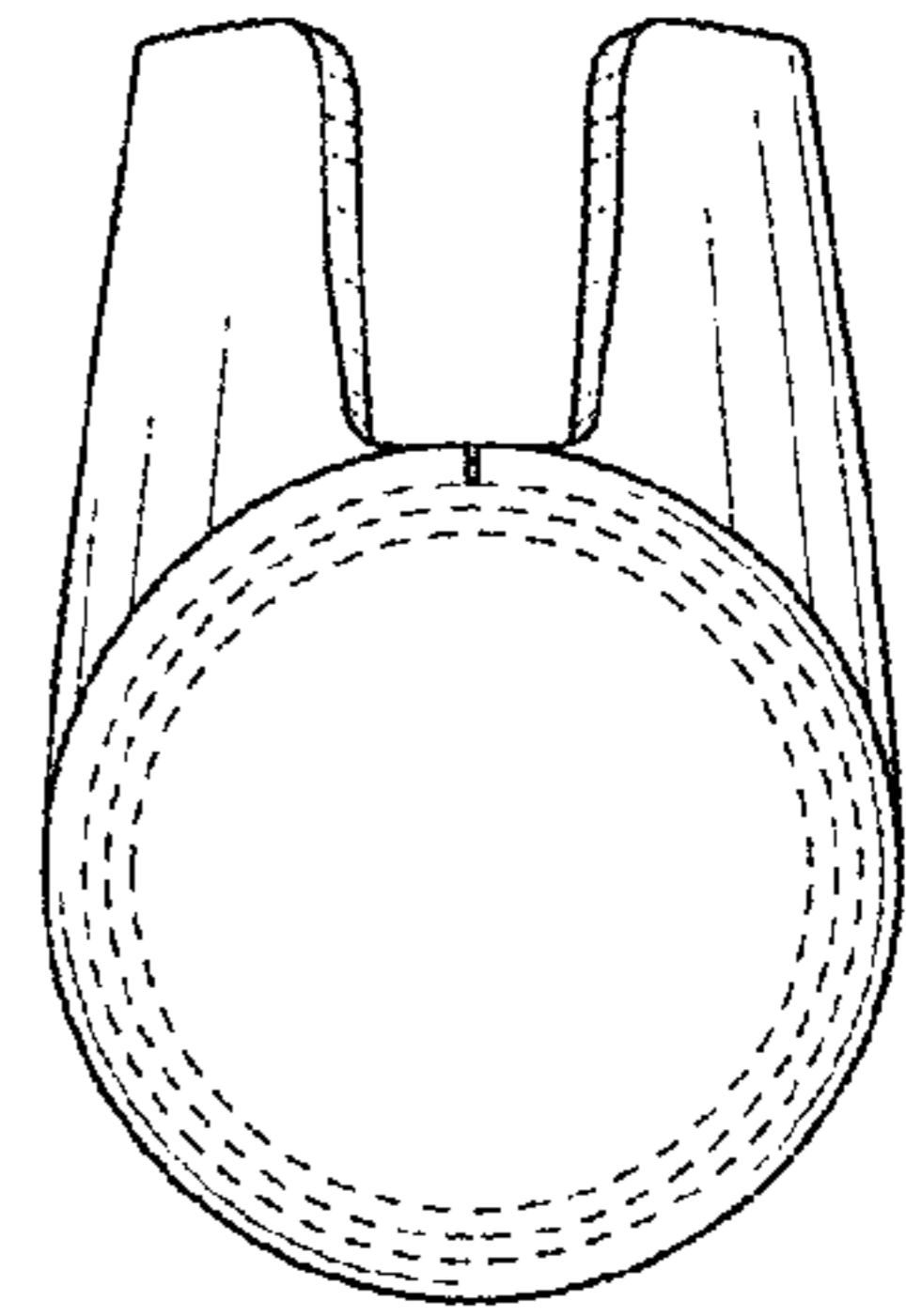


FIG. 15

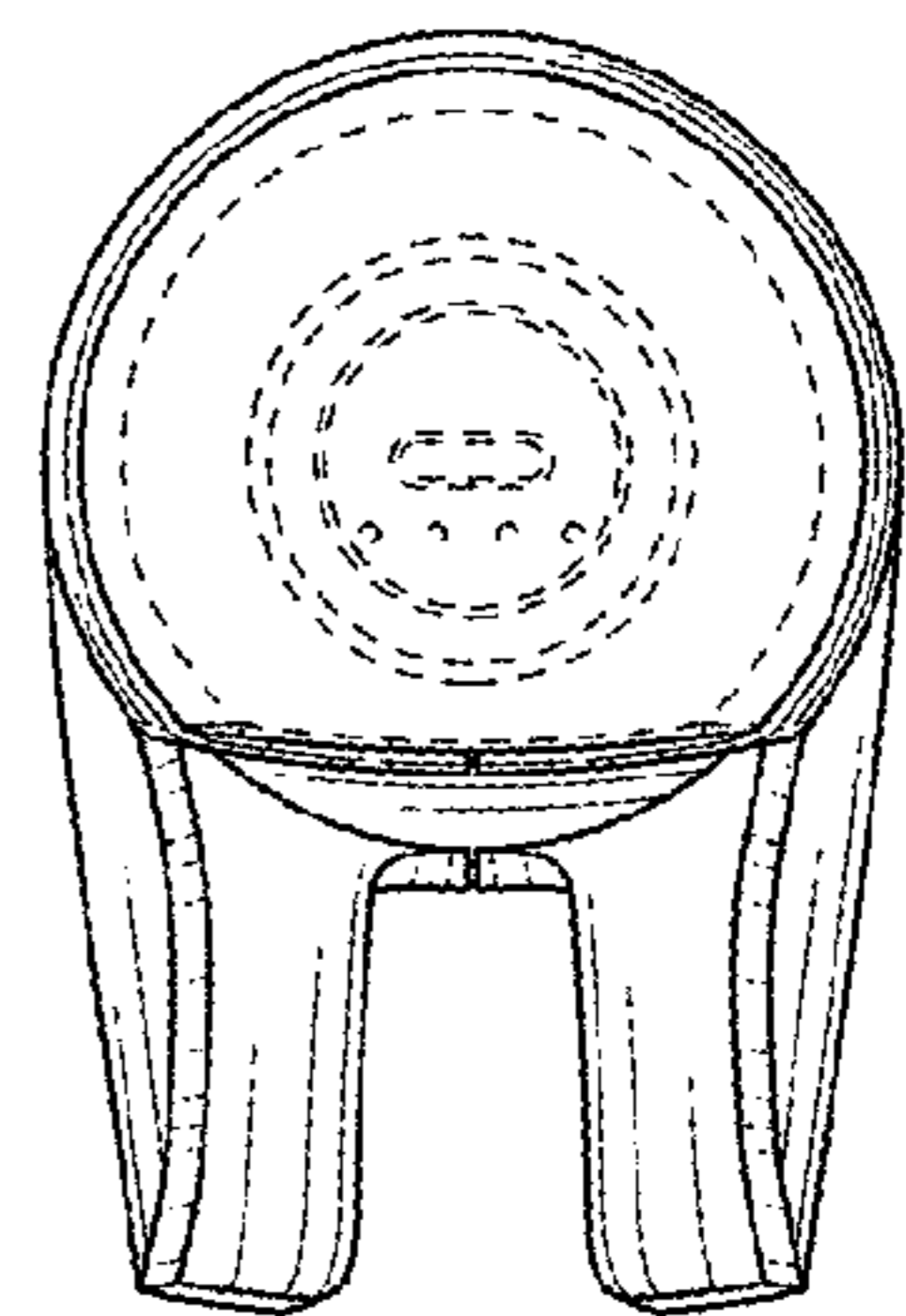


FIG. 16

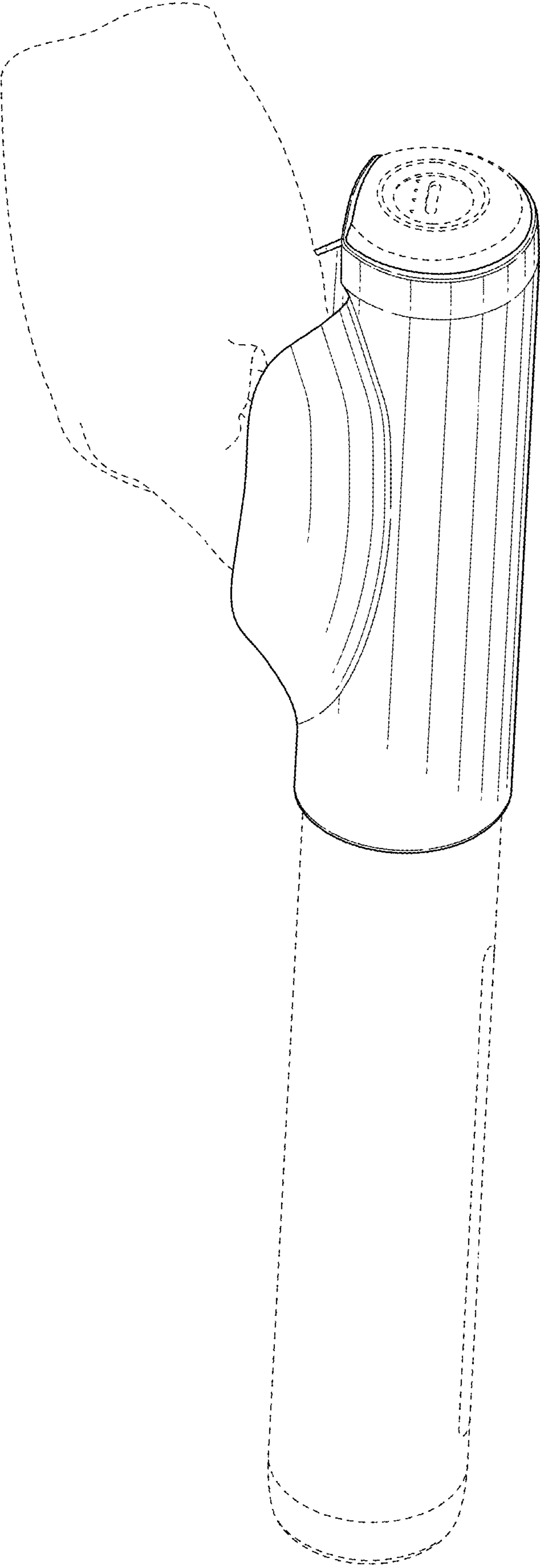


FIG. 17

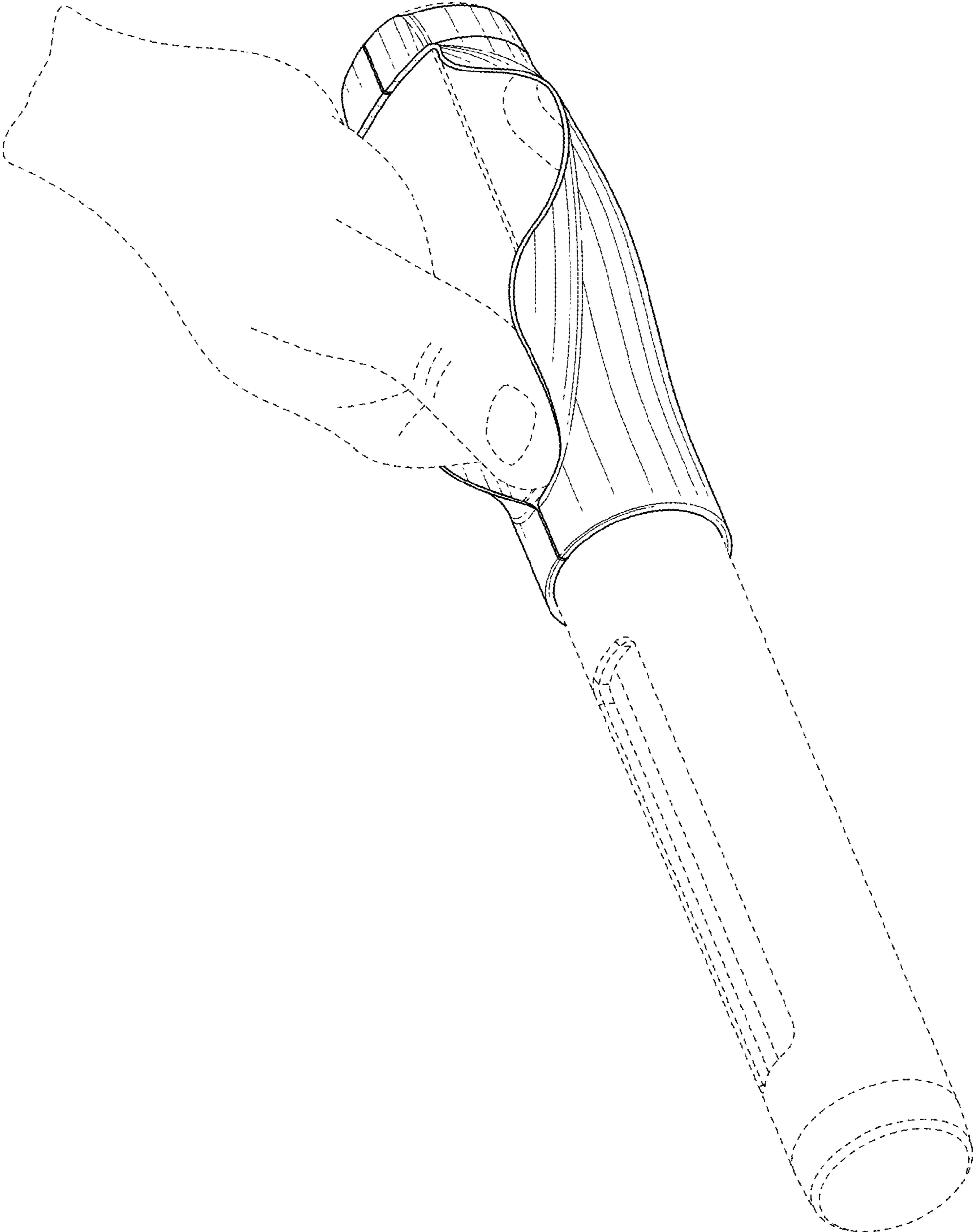


FIG. 18