



US00D964139S

(12) **United States Design Patent**
Feng

(10) **Patent No.:** **US D964,139 S**

(45) **Date of Patent:** **** Sep. 20, 2022**

(54) **FOLDING KNIFE**

(71) Applicant: **Miaoli Feng**, Guangdong (CN)

(72) Inventor: **Miaoli Feng**, Guangdong (CN)

(**) Term: **15 Years**

(21) Appl. No.: **29/774,257**

(22) Filed: **Mar. 15, 2021**

(51) **LOC (13) Cl.** **08-03**

(52) **U.S. Cl.**
USPC **D8/99**

(58) **Field of Classification Search**
USPC D8/98, 99, 100, 105; D22/118
CPC B26B 1/00; B26B 1/02; B26B 1/04; B26B
5/00; B26B 5/006; B26B 1/10; B26B
1/046

See application file for complete search history.

D769,694 S * 10/2016 Mingyi D8/99
D772,676 S * 11/2016 Qiuliang B26B 1/042
D8/99
D776,508 S * 1/2017 Yuhuan B26B 1/02
D8/99
D926,552 S * 8/2021 Peng B26B 1/046
D8/99
2005/0172497 A1* 8/2005 Linn B26B 1/02
30/161
2016/0121493 A1* 5/2016 Ikoma B26B 1/042
30/161

* cited by examiner

Primary Examiner — Philip S Hyder

(57) **CLAIM**

The ornamental design for a folding knife, as shown and described.

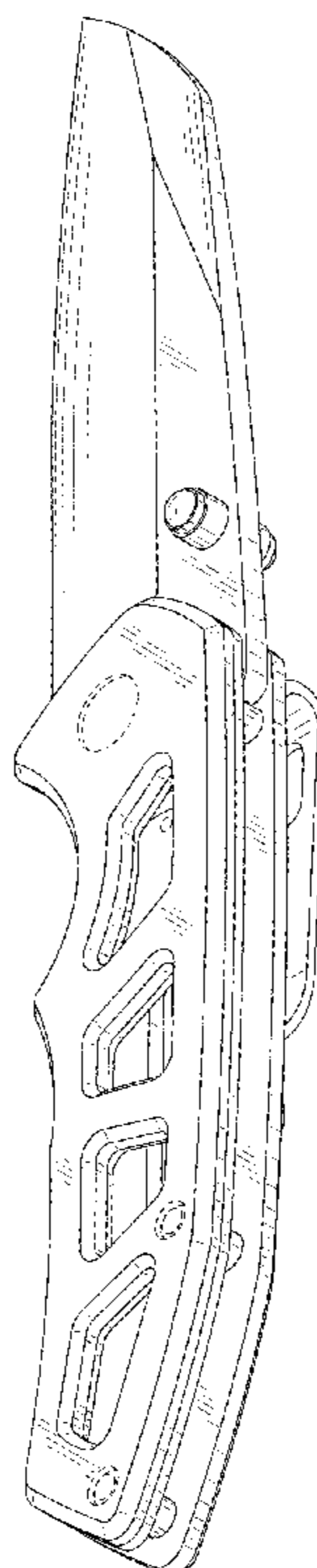
DESCRIPTION

FIG. 1 is a top, front and right side perspective view of a folding knife showing my new design;
FIG. 2 is a bottom, rear and left side perspective view thereof;
FIG. 3 is a front elevational view thereof;
FIG. 4 is a rear elevational view thereof;
FIG. 5 is a left side view thereof;
FIG. 6 is a right side view thereof;
FIG. 7 is a top plan view thereof; and,
FIG. 8 is a bottom plan view thereof.
The broken lines in the drawings illustrate portions of the folding knife which form no part of the claimed design.

1 Claim, 8 Drawing Sheets

(56) **References Cited**
U.S. PATENT DOCUMENTS

6,276,063 B1 * 8/2001 Chen B26B 1/046
30/155
D488,045 S * 4/2004 Onion D8/99
D554,964 S * 11/2007 Taylor D8/99
D697,780 S * 1/2014 Pelton D8/99
D706,107 S * 6/2014 Pelton D8/99
D733,515 S * 7/2015 Cheng D8/99
D737,111 S * 8/2015 Cheng D8/99
D768,455 S * 10/2016 Xin D8/99
D768,456 S * 10/2016 Cheng D8/99
D768,457 S * 10/2016 Yuhuan D8/99
D768,458 S * 10/2016 Mingyi D8/99
D768,459 S * 10/2016 Yuhuan D8/99



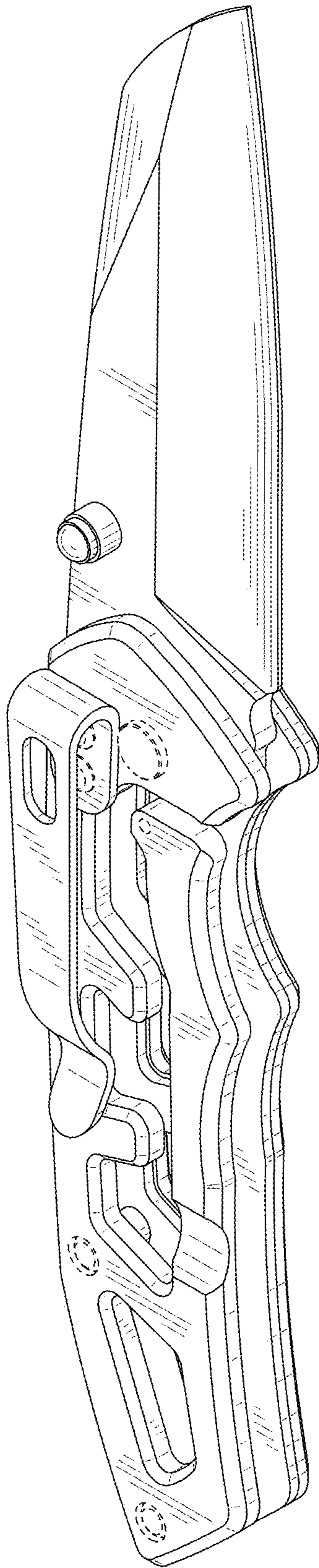


FIG. 1

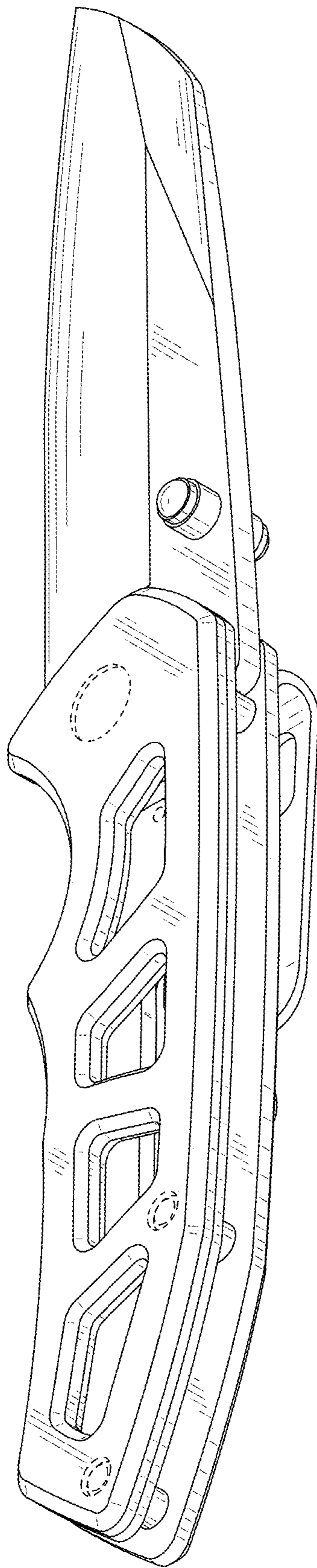


FIG. 2

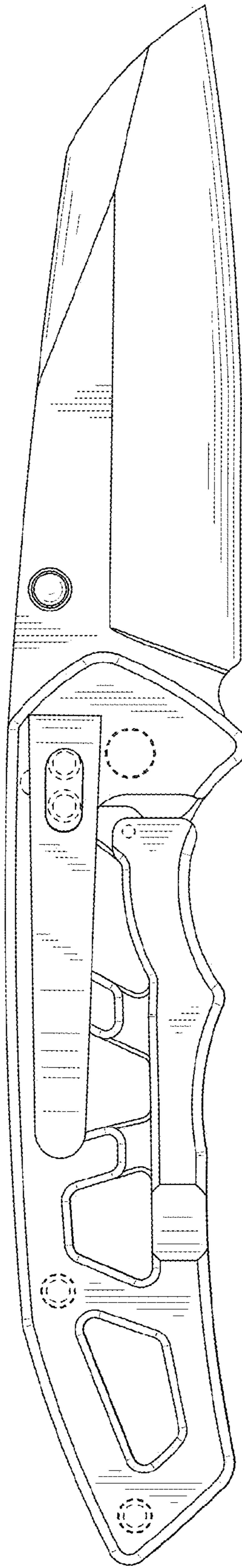


FIG. 3

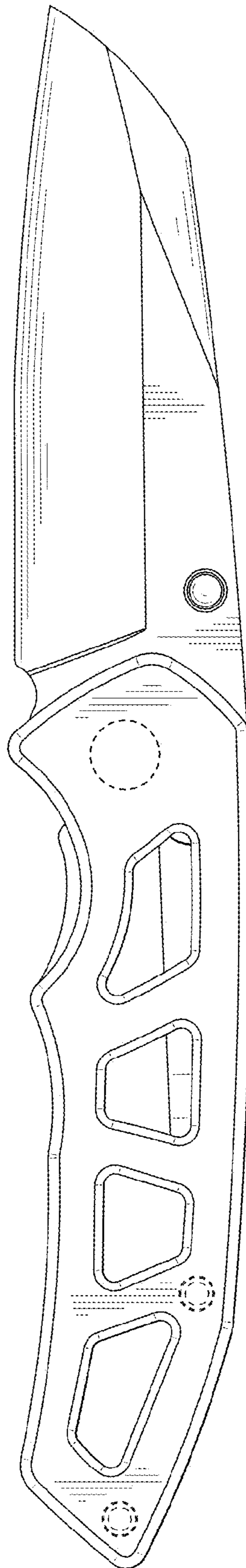


FIG. 4

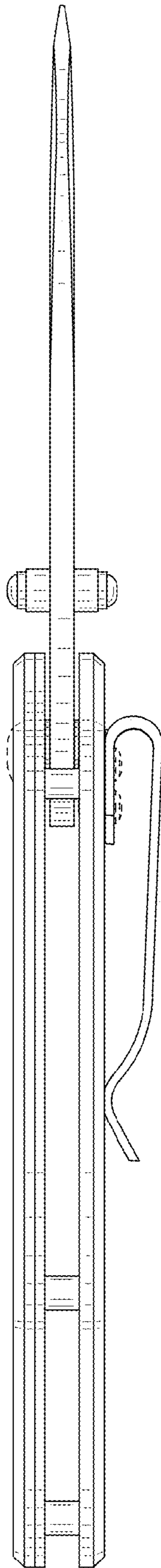


FIG. 5

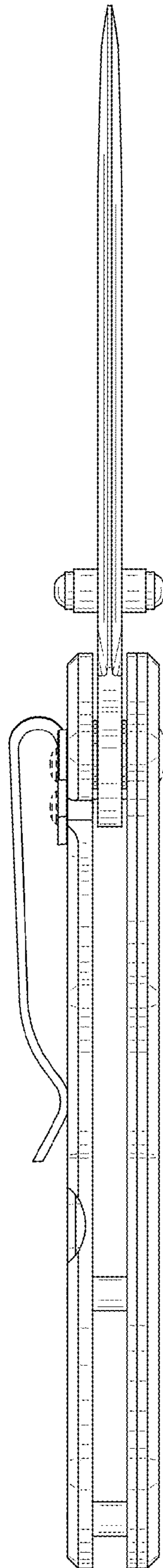


FIG. 6

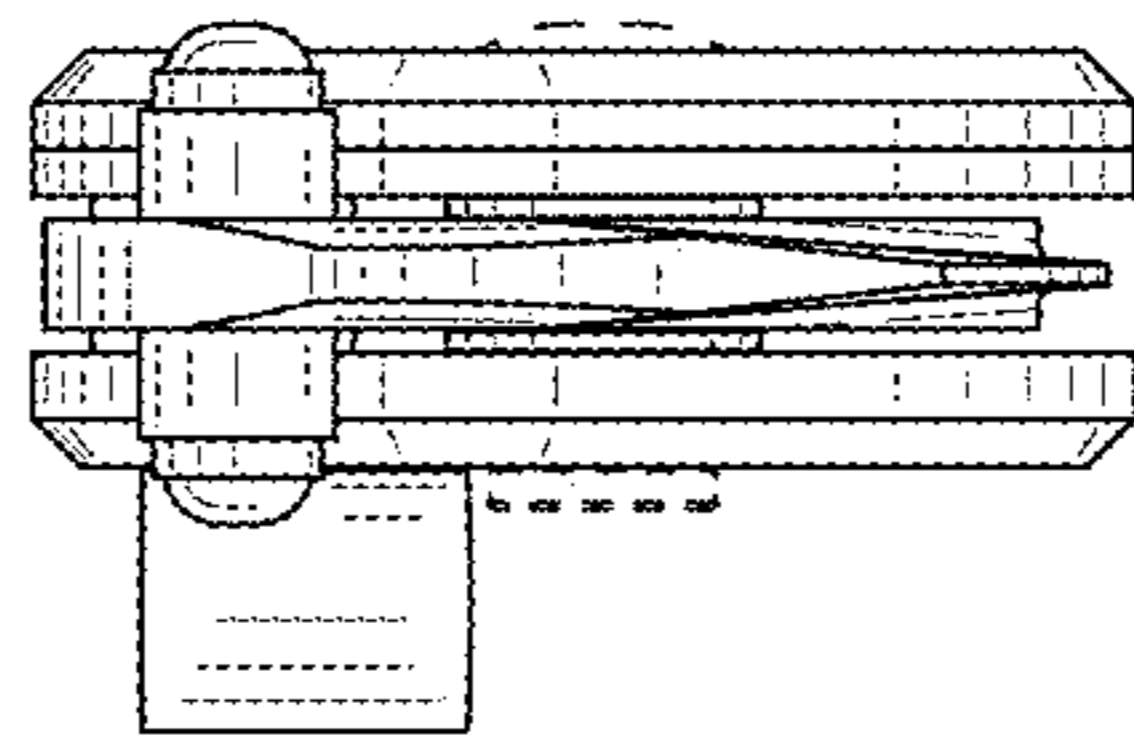


FIG. 7

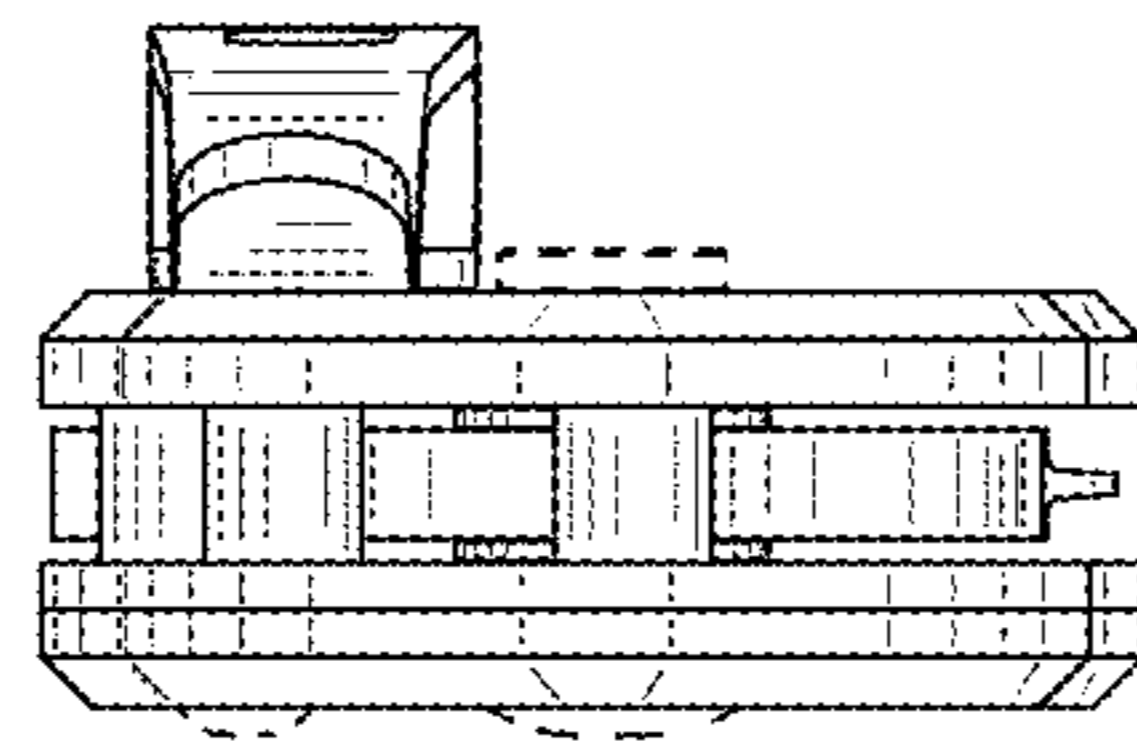


FIG. 8