

US00D964136S

(12) **United States Design Patent**  
**Hsueh et al.**

(10) **Patent No.:** **US D964,136 S**  
(45) **Date of Patent:** **\*\* Sep. 20, 2022**

(54) **AUTOMATIC NAIL SUPPLY RIVETING GUN**

8,365,375 B2 \* 2/2013 Lin ..... B21J 15/326  
29/243.525

(71) Applicant: **Shenzhen Fulian Fugui Precision Industry Co., Ltd., Shenzhen (CN)**

8,689,419 B2 \* 4/2014 Lin ..... B21J 15/105  
29/243.525

(72) Inventors: **Chiung-Hsu Hsueh, Hsinchu (TW); Shi-Mei Wen, Shenzhen (CN); Ri-Meng Li, Nanning (CN)**

D707,519 S \* 6/2014 Masugata ..... D8/68  
8,904,612 B1 \* 12/2014 Lin ..... B21J 15/105  
29/243.525

(73) Assignee: **Shenzhen Fulian Fugui Precision Industry Co., Ltd., Shenzhen (CN)**

9,248,494 B2 \* 2/2016 Lin ..... B21J 15/22  
D752,936 S \* 4/2016 King ..... D8/68  
D781,121 S \* 3/2017 King ..... D8/68  
9,889,495 B2 \* 2/2018 Masugata ..... B21J 15/045

(Continued)

(\*\*) Term: **15 Years**

**OTHER PUBLICATIONS**

(21) Appl. No.: **29/728,675**

Daniel Rika. "Best Rivet Guns: An Efficient way to Install Riveted Joints." The Drive., Jun. 28, 2021 [online], [retrieved on Dec. 6, 2021]. Retrieved from the Internet <URL: <https://www.thedrive.com/reviews/30960/best-rivet-gun>>.\*

(22) Filed: **Mar. 20, 2020**

(Continued)

(30) **Foreign Application Priority Data**

Jan. 21, 2020 (CN) ..... 202030042431.0

(51) **LOC (13) Cl.** ..... **08-05**

(52) **U.S. Cl.**  
USPC ..... **D8/68**

(58) **Field of Classification Search**  
USPC ..... D8/61, 67, 68  
CPC . B21J 15/043; B21J 15/22; B21J 15/36; B21J 15/38; B21J 15/105; B21J 15/326  
See application file for complete search history.

*Primary Examiner* — Darlington Ly

(74) *Attorney, Agent, or Firm* — ScienBiziP, P.C.

(56) **References Cited**

**U.S. PATENT DOCUMENTS**

D256,658 S \* 9/1980 Ewig ..... D8/61  
D280,071 S \* 8/1985 Oefinger ..... D23/225  
D371,299 S \* 7/1996 Rosier ..... D8/68  
D423,896 S \* 5/2000 Steiner ..... D8/61  
D462,883 S \* 9/2002 Steiner ..... D8/68  
D503,327 S \* 3/2005 Ziegert ..... D8/69  
7,299,961 B2 \* 11/2007 Stavig, Jr. .... B21J 15/02  
227/107  
8,109,123 B2 \* 2/2012 Chen ..... B21J 15/105  
72/21.1

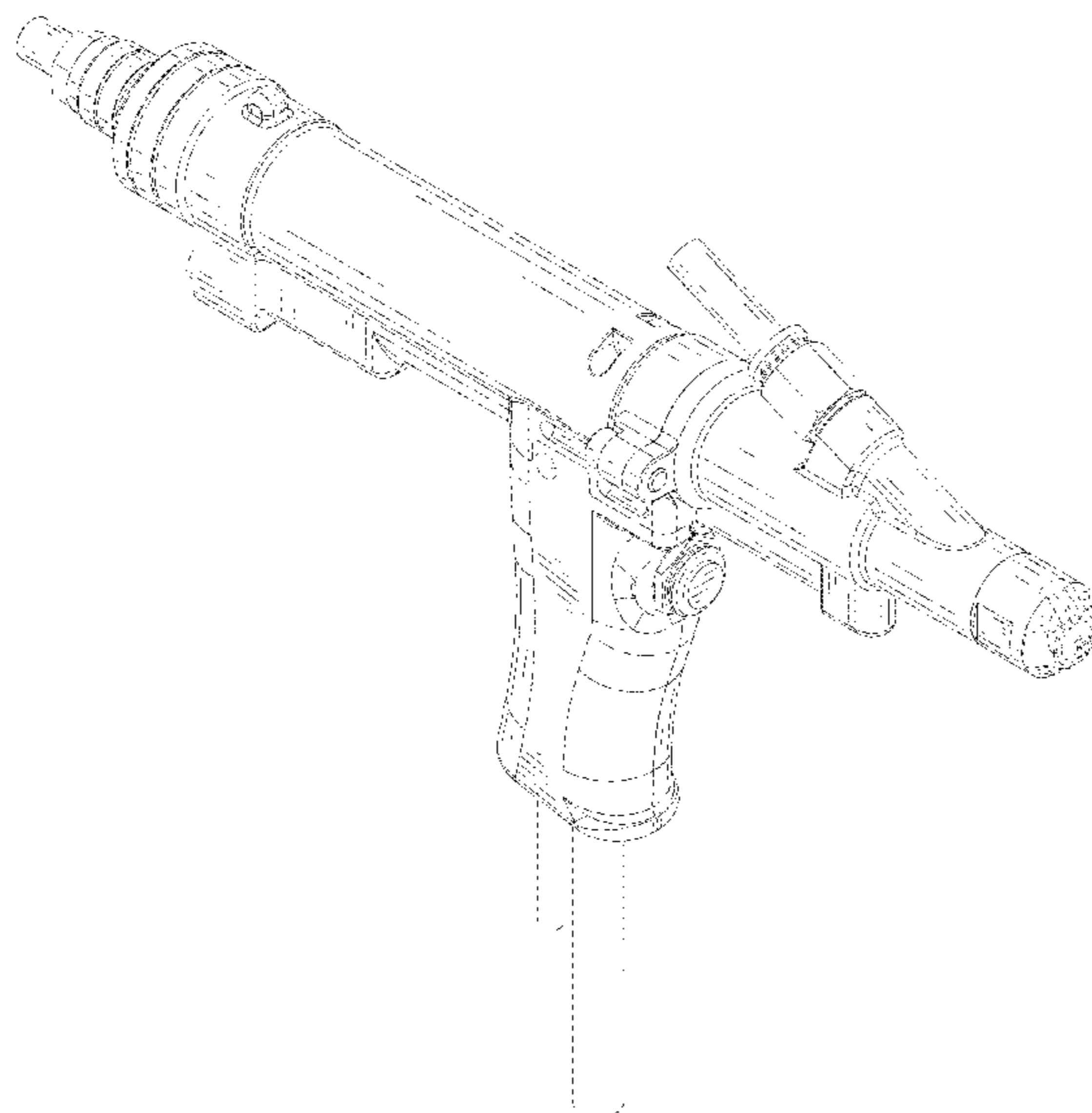
(57) **CLAIM**

The ornamental design for an automatic nail supply riveting gun, as shown and described.

**DESCRIPTION**

FIG. 1 is a perspective view of an automatic nail supply riveting gun;  
FIG. 2 is a front elevational view thereof;  
FIG. 3 is a rear elevational view thereof;  
FIG. 4 is a left side elevational view thereof;  
FIG. 5 is a right side elevational view thereof;  
FIG. 6 is a top plan view thereof; and,  
FIG. 7 is a bottom plan view thereof.  
The broken lines in the drawings illustrate portions of the automatic nail supply riveting gun that form no part of the claimed design.

**1 Claim, 7 Drawing Sheets**



(56)

**References Cited**

U.S. PATENT DOCUMENTS

10,105,751 B2 \* 10/2018 Lesperance ..... B21J 15/043  
D833,846 S \* 11/2018 Mori ..... D8/68  
10,232,429 B1 \* 3/2019 Lin ..... B21J 15/28

OTHER PUBLICATIONS

Alicia Bodine. "The Best Riveter—2021." Don't Waste Your Money., Jun. 24, 2020 [online], [retrieved on Dec. 6, 2021]. Retrieved from the Internet <URL: <https://www.dontwasteyourmoney.com/best-riveter/>>.\*

Car Bibles Staff. "The Best Rivet Guns (Review & Buying Guide) in 2020." Car Bibles., Nov. 23, 2018 [online], [retrieved on Dec. 6, 2021]. Retrieved from the Internet <URL: <https://www.dontwasteyourmoney.com/best-riveter/>>.\*

\* cited by examiner

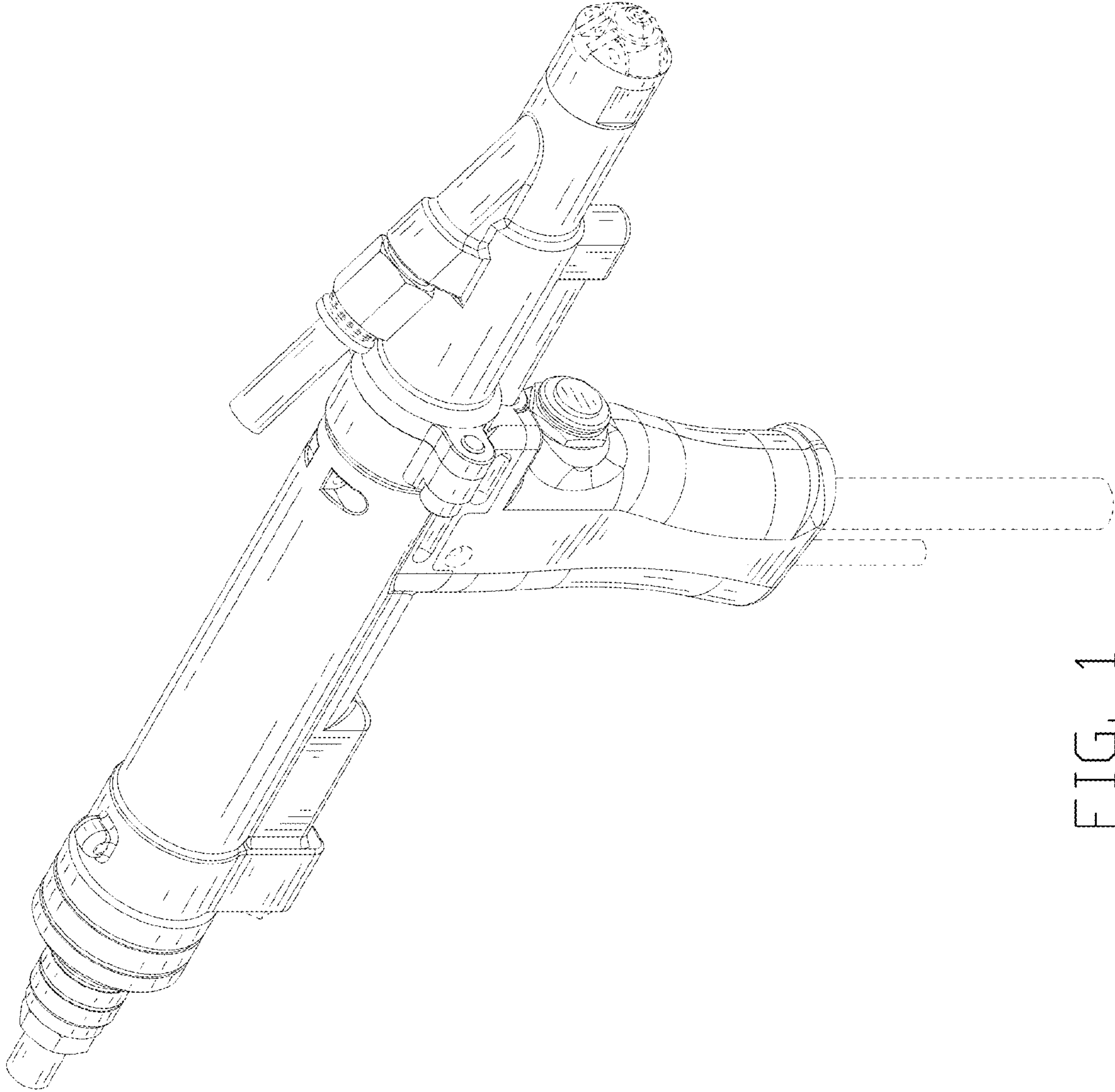


FIG. 1

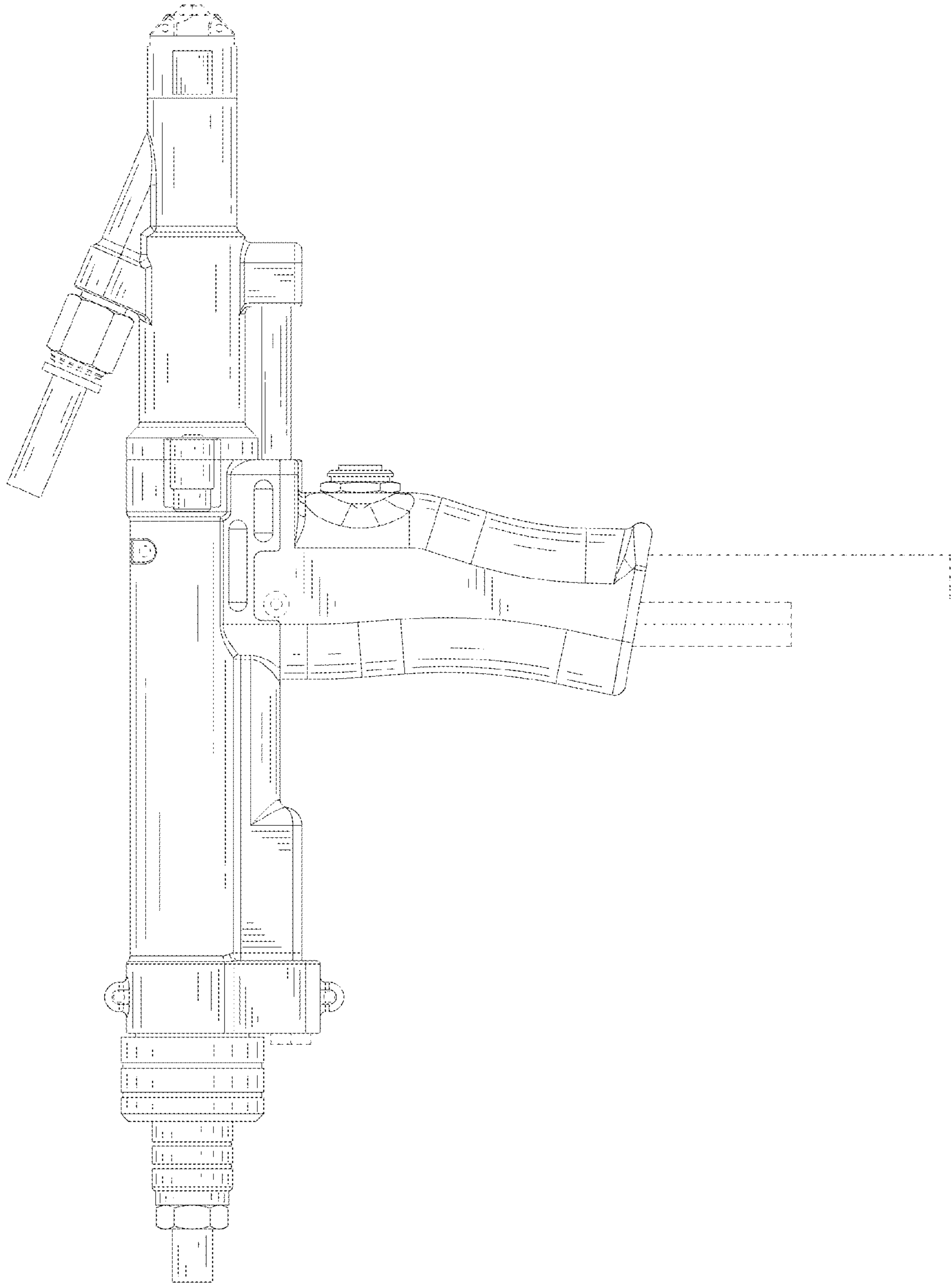


FIG. 2

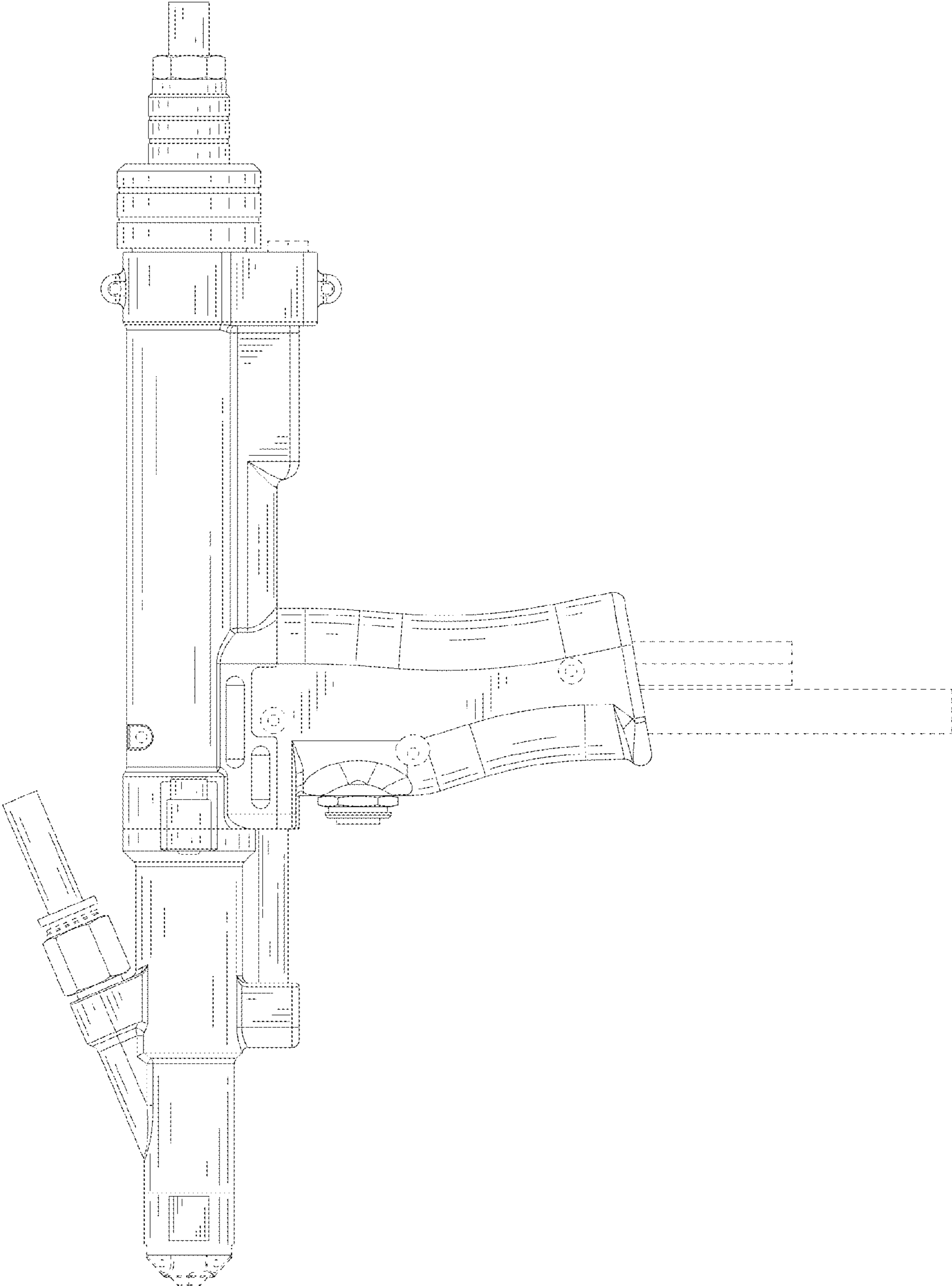


FIG. 3

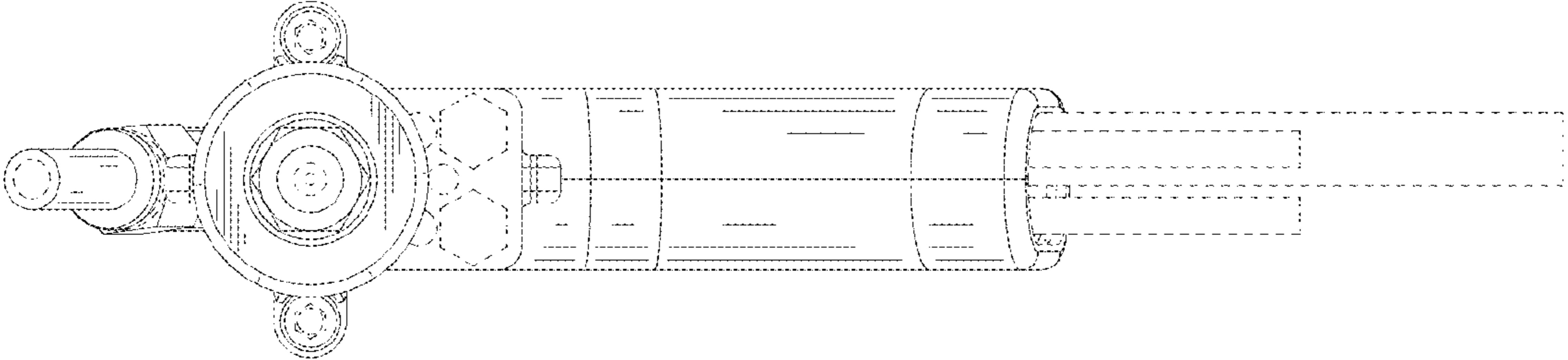


FIG. 4

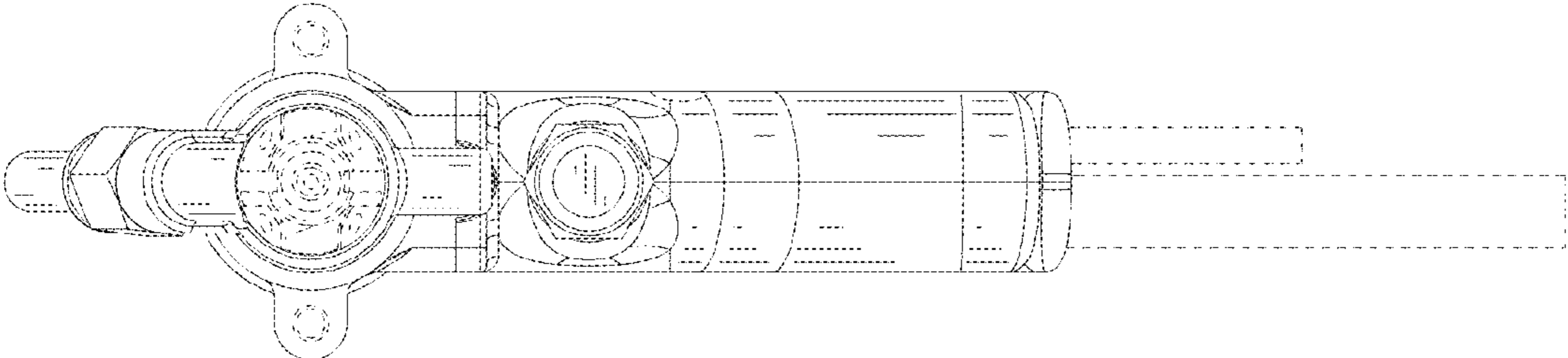


FIG. 5

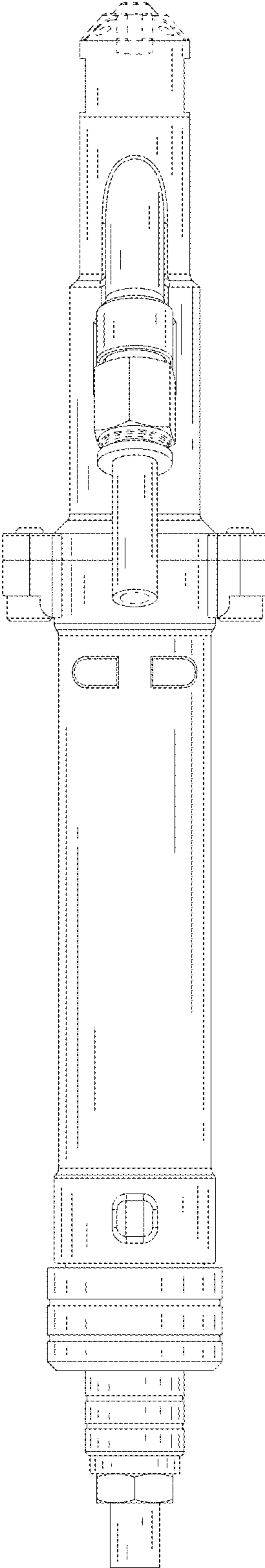


FIG. 6



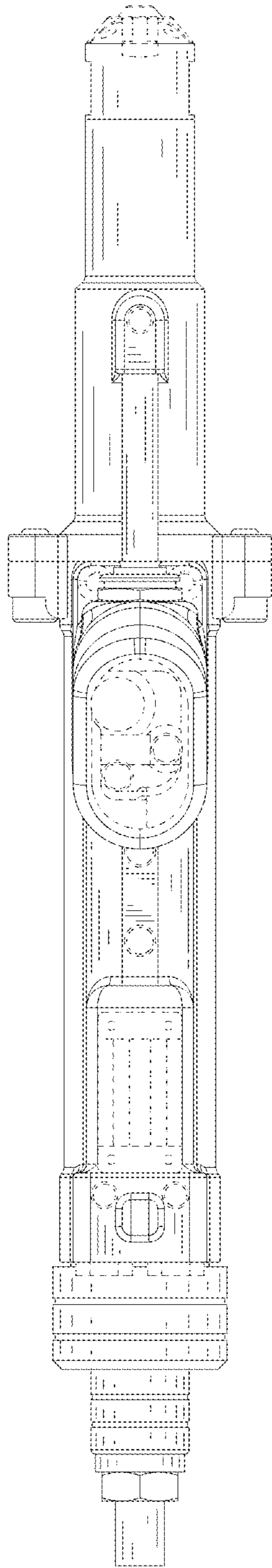


FIG. 7