



US00D964135S

(12) **United States Design Patent** (10) **Patent No.:** **US D964,135 S**
Mori (45) **Date of Patent:** **** Sep. 20, 2022**

(54) **RIVET FASTENING TOOL** 8,109,123 B2 * 2/2012 Chen B21J 15/105
72/21.1
(71) Applicant: **NEWFREY LLC**, New Britain, CT 8,365,375 B2 * 2/2013 Lin B21J 15/326
(US) 29/243.525
8,689,419 B2 * 4/2014 Lin B21J 15/105
29/243.525
(72) Inventor: **Daisuke Mori**, Toyohashi (JP) D707,519 S * 6/2014 Masugata D8/68
8,904,612 B1 * 12/2014 Lin B21J 15/105
29/243.525
(73) Assignee: **NEWFREY LLC**, New Britain, CT 9,248,494 B2 * 2/2016 Lin B21J 15/22
(US) D752,936 S * 4/2016 King D8/68
D781,121 S * 3/2017 King D8/68
9,889,495 B2 * 2/2018 Masugata B21J 15/045
(**) Term: **15 Years** 10,105,751 B2 * 10/2018 Lesperance B21J 15/043
D833,846 S * 11/2018 Mori D8/68
(21) Appl. No.: **29/725,242** 10,232,429 B1 * 3/2019 Lin B21J 15/28
(22) Filed: **Feb. 24, 2020**

* cited by examiner

(30) **Foreign Application Priority Data**
Sep. 20, 2019 (JP) 2019-021049
(51) **LOC (13) Cl.** **08-05**
(52) **U.S. Cl.**
USPC **D8/68**
(58) **Field of Classification Search**
USPC D8/61, 67, 68
CPC . B21J 15/043; B21J 15/22; B21J 15/36; B21J
15/38; B21J 15/105; B21J 15/326
See application file for complete search history.

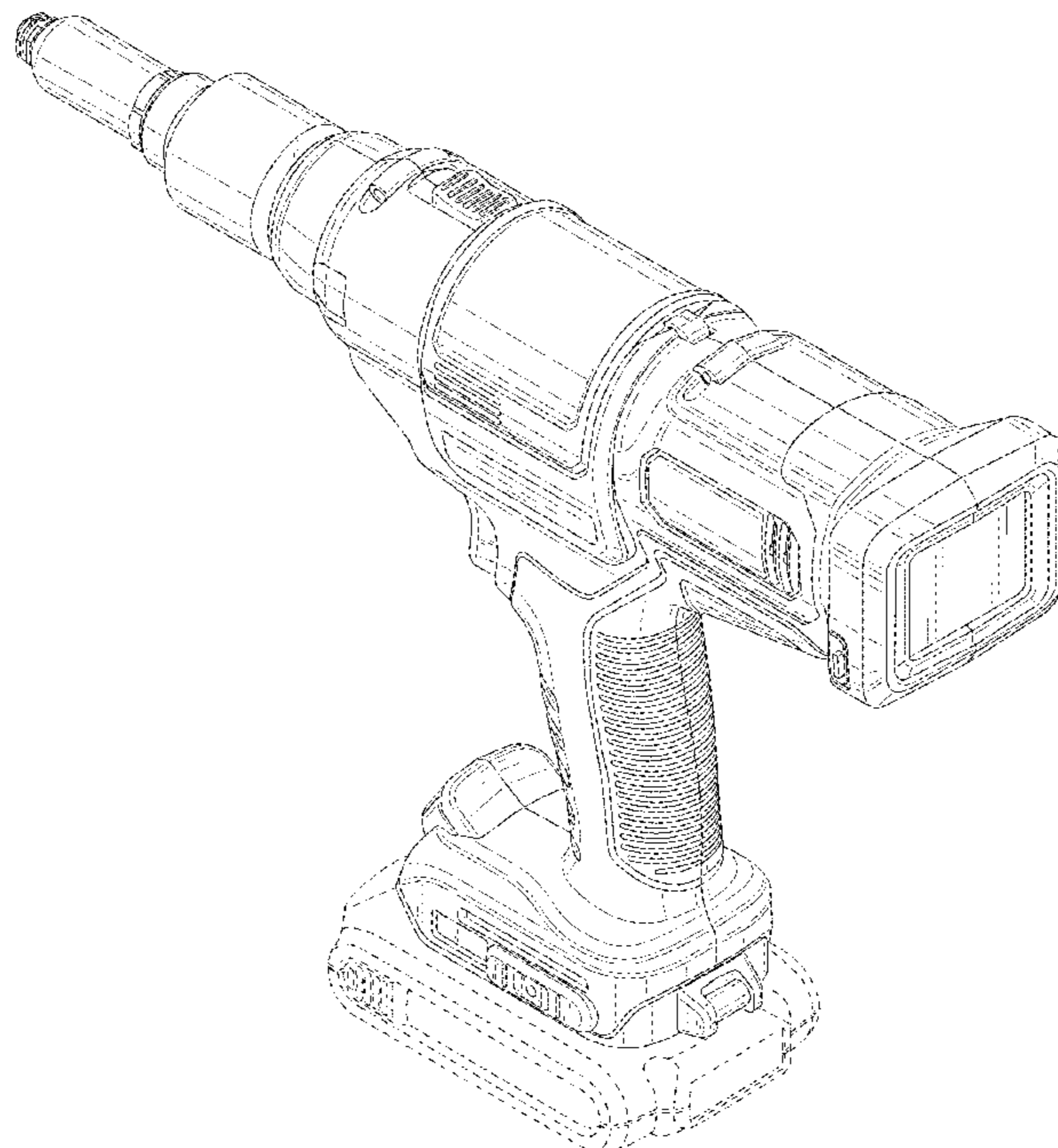
Primary Examiner — Darlington Ly
(74) *Attorney, Agent, or Firm* — Kofi A. Schulerbrandt

(56) **References Cited**
U.S. PATENT DOCUMENTS
D256,658 S * 9/1980 Ewig D8/61
D280,071 S * 8/1985 Oefinger D23/225
D371,299 S * 7/1996 Rosier D8/68
D423,896 S * 5/2000 Steiner D8/61
D462,883 S * 9/2002 Steiner D8/68
D503,327 S * 3/2005 Ziegert D8/69
7,299,961 B2 * 11/2007 Stavig, Jr. B21J 15/02
227/107

(57) **CLAIM**
The ornamental design for a rivet fastening tool, as shown and described.

DESCRIPTION
FIG. 1 is a top and rear perspective view of a rivet fastening tool embodying my new design;
FIG. 2 is a bottom and front perspective view thereof;
FIG. 3 is a left side elevation view thereof;
FIG. 4 is a right side elevation view thereof;
FIG. 5 is a front elevation view thereof;
FIG. 6 is a rear elevation view thereof;
FIG. 7 is a top plan view thereof; and,
FIG. 8 is a bottom plan view thereof.
Broken lines illustrate portions of the fastener fastening tool and form no part of the claimed design.

1 Claim, 6 Drawing Sheets



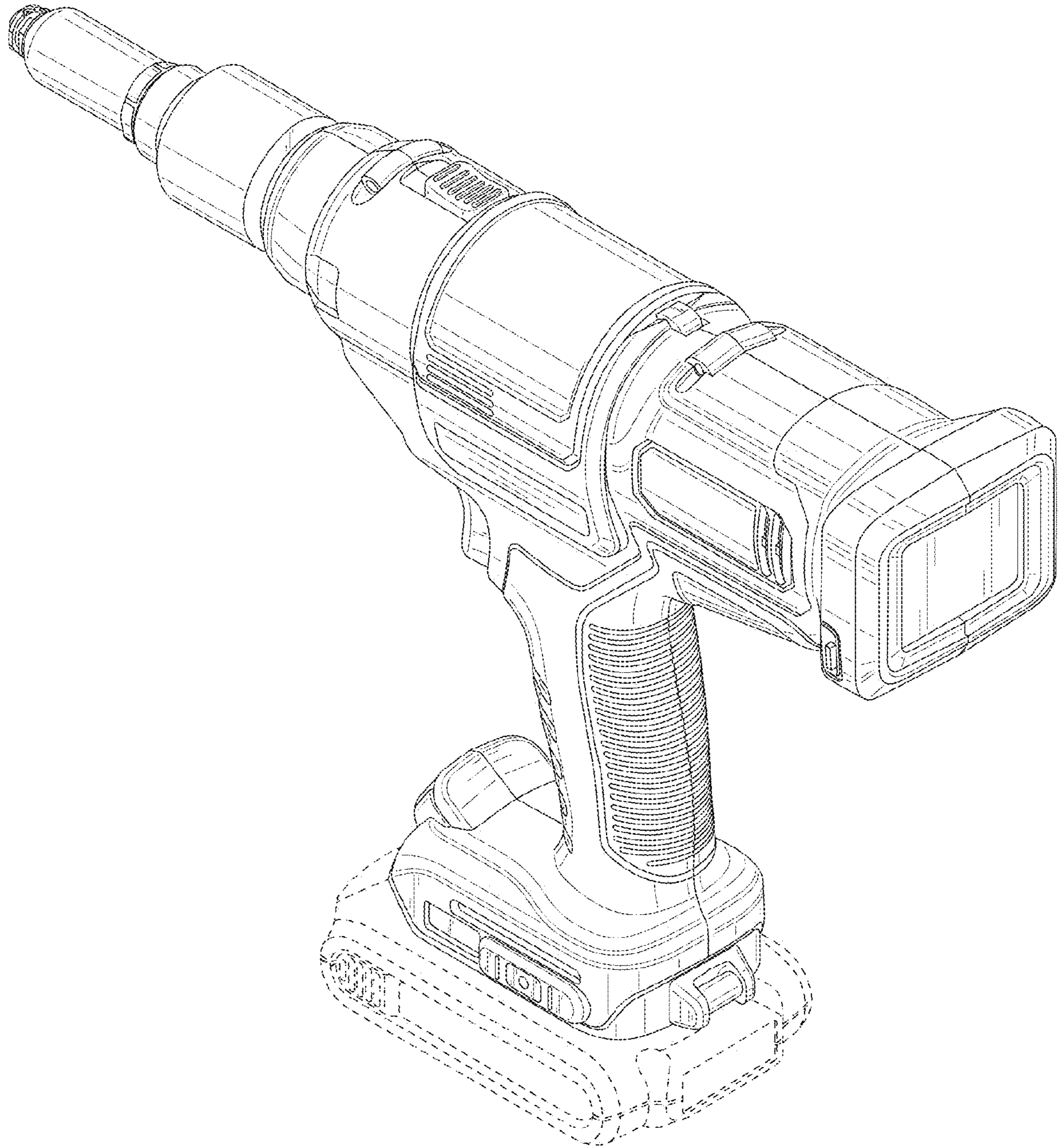


FIG. 1

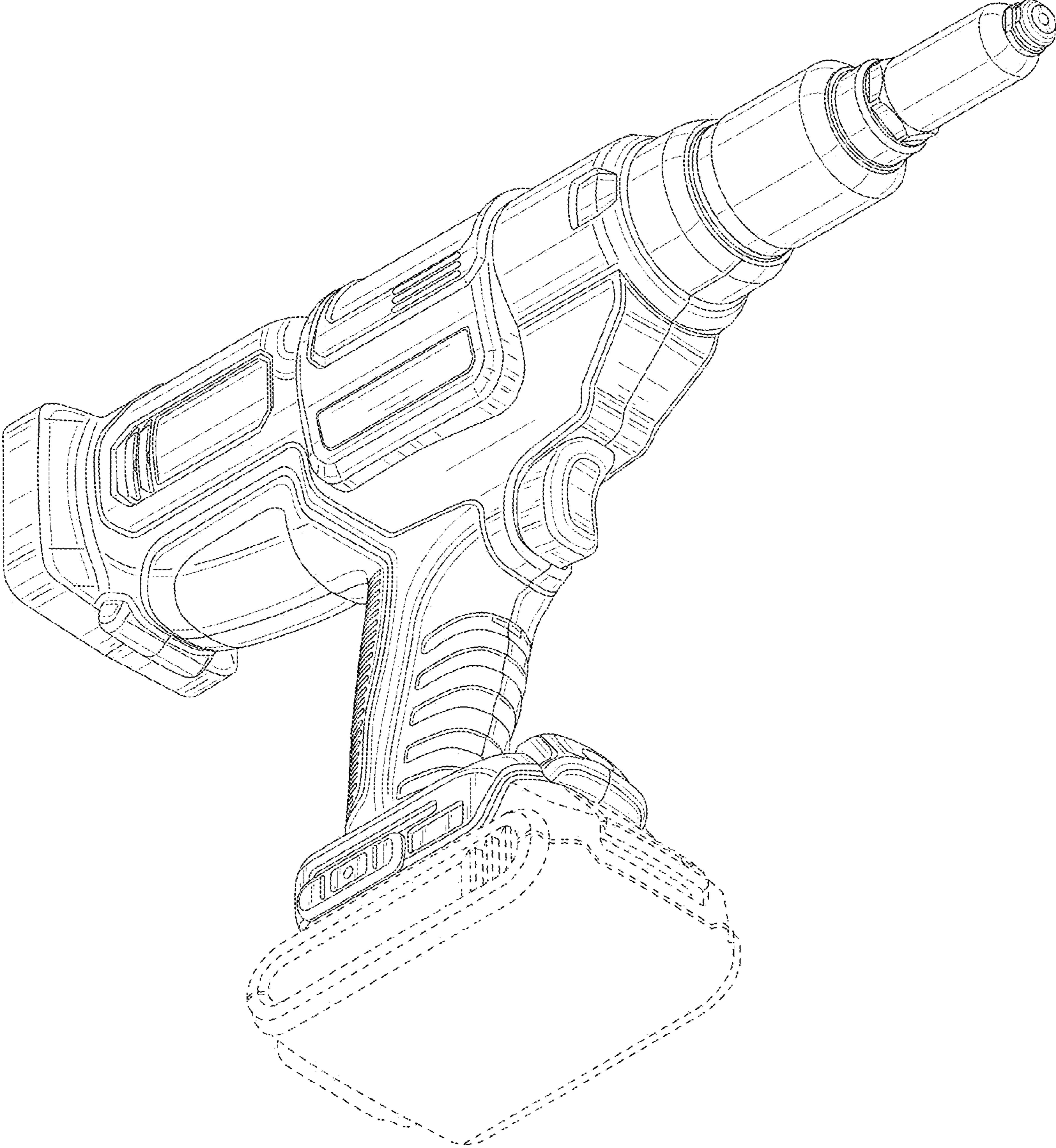


FIG. 2

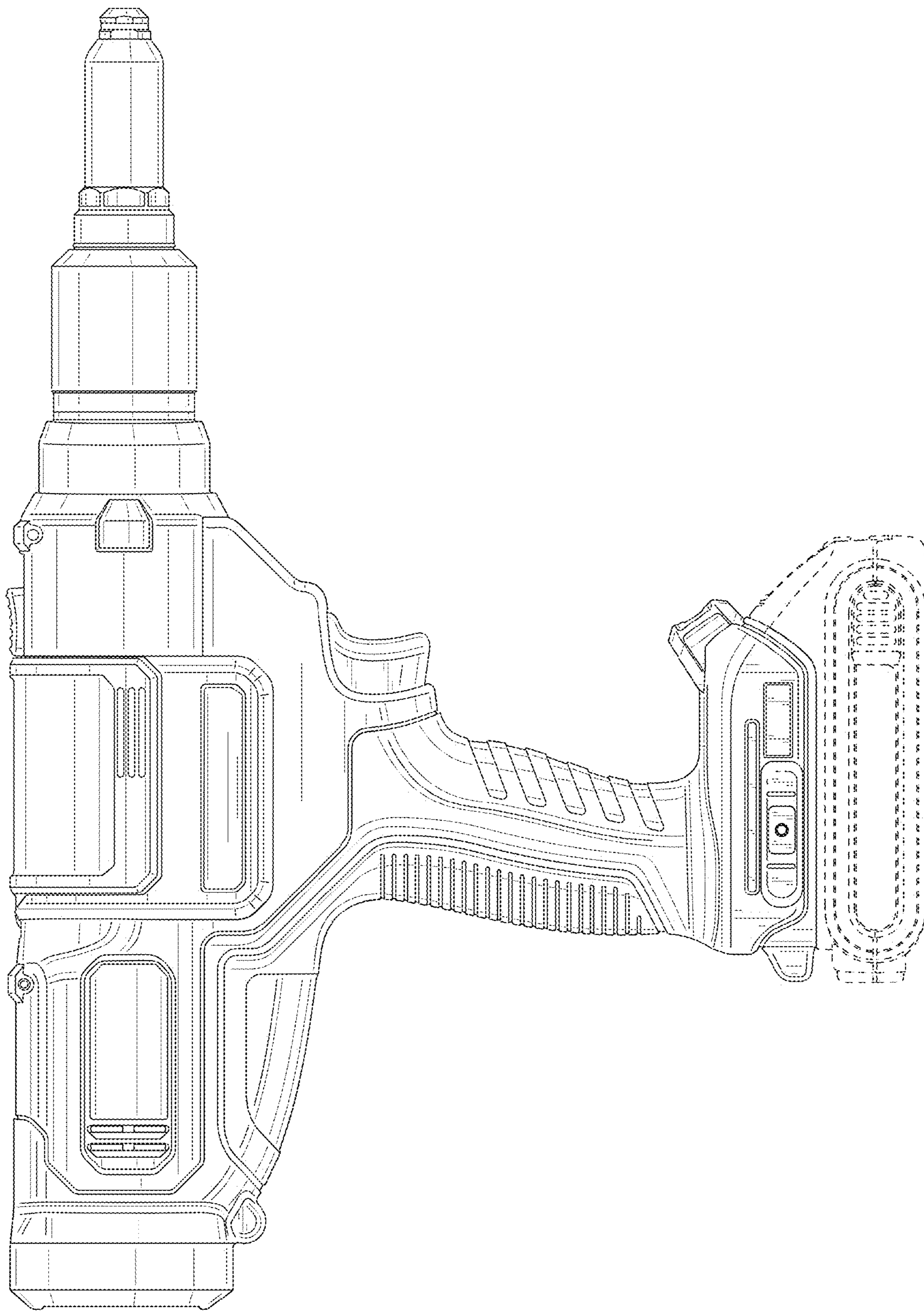


FIG. 3

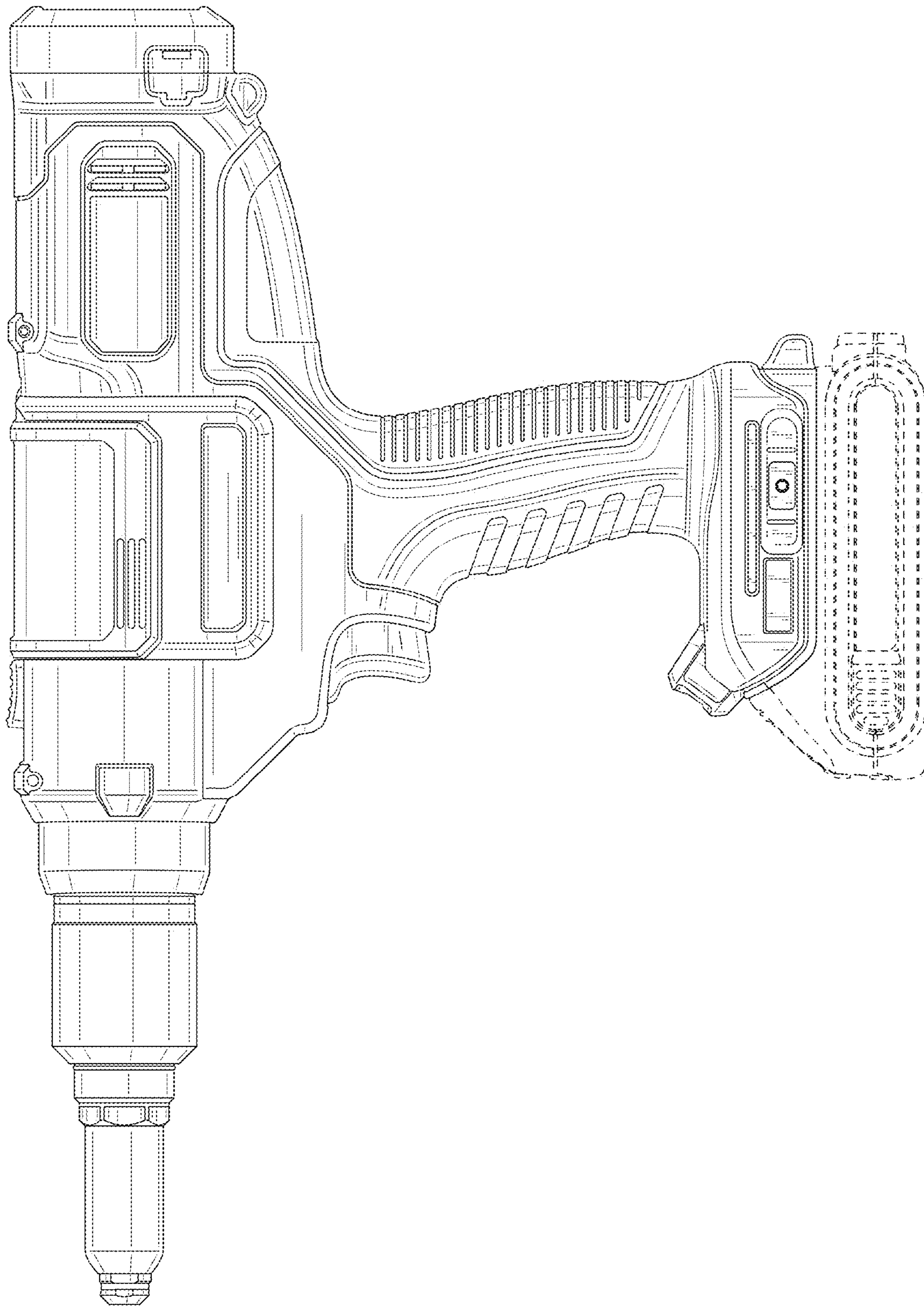


FIG. 4

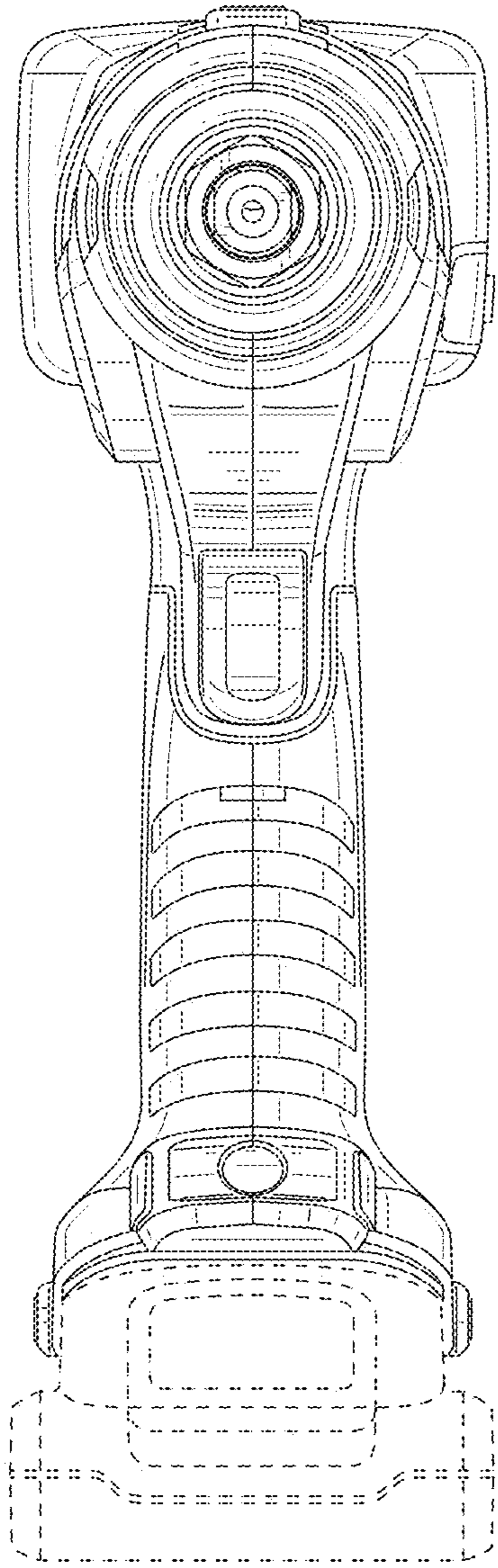


FIG. 5

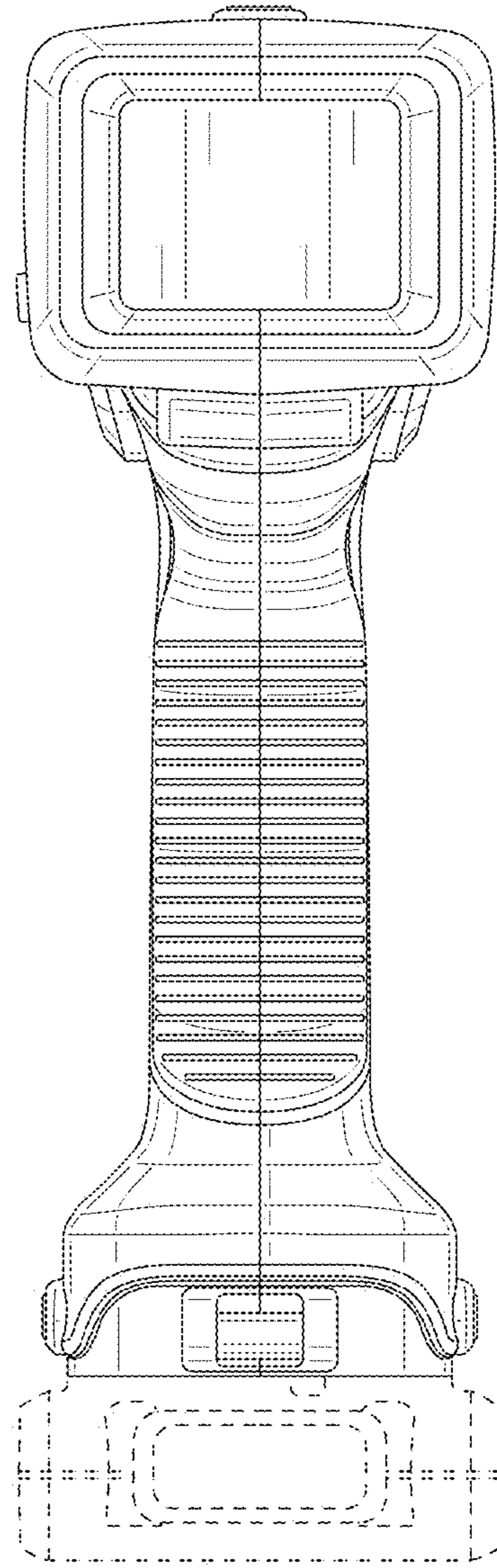


FIG. 6

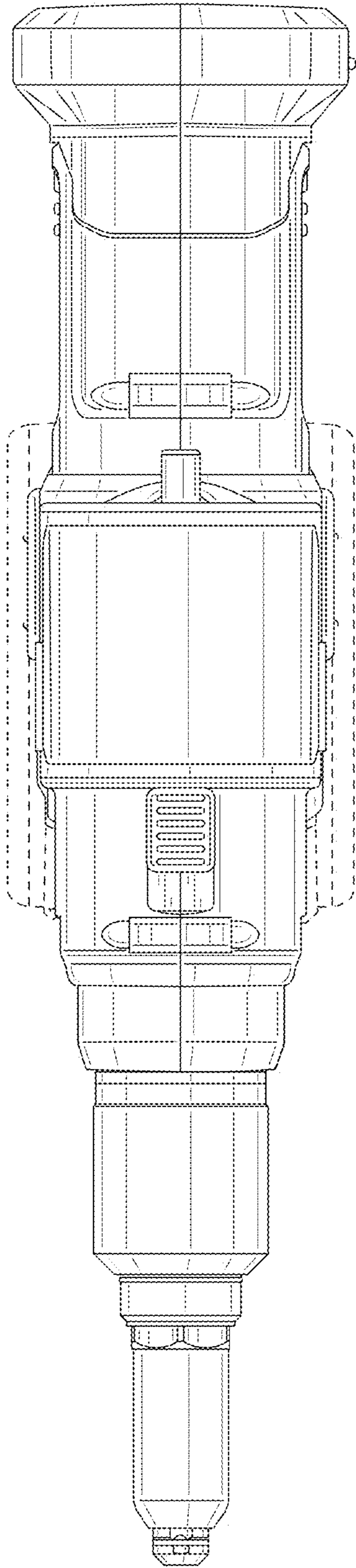


FIG. 7

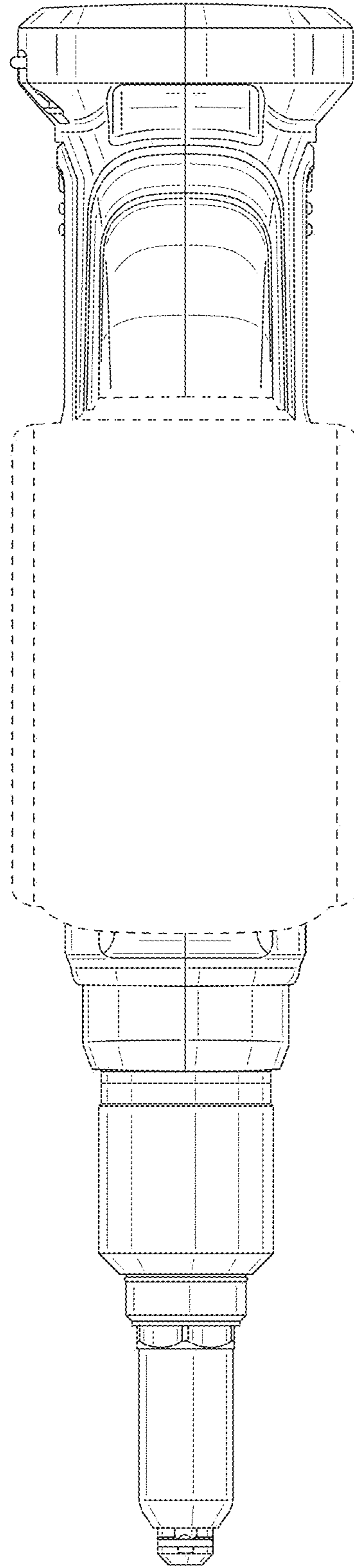


FIG. 8