

US00D964134S

(12) **United States Design Patent** (10) **Patent No.:** **US D964,134 S**
Leman (45) **Date of Patent:** **** Sep. 20, 2022**

(54) **RECIPROCATING SAW**
(71) Applicant: **Jeremy Leman**, Fairbury, IL (US)
(72) Inventor: **Jeremy Leman**, Fairbury, IL (US)
(**) Term: **15 Years**
(21) Appl. No.: **29/662,682**
(22) Filed: **Sep. 7, 2018**
(51) **LOC (13) Cl.** **08-03**
(52) **U.S. Cl.**
USPC **D8/64**
(58) **Field of Classification Search**
USPC D8/61, 64, 68
CPC B23D 51/10; B23D 49/11; B23D 49/165;
B23D 51/16; B23D 49/167; Y10T
83/9473
See application file for complete search history.

D527,596 S * 9/2006 Andriolo D8/64
D527,597 S * 9/2006 Andriolo D8/64
D545,657 S * 7/2007 Yamamoto D8/64
D551,046 S * 9/2007 Yamamoto D8/64
D558,550 S * 1/2008 McRoberts D8/64
D590,225 S * 4/2009 Sell D8/68
D591,574 S * 5/2009 DiPasquale D8/64
7,562,457 B2 7/2009 Prieto
8,230,607 B2 * 7/2012 Limberg B23B 31/1072
30/392
8,256,528 B2 9/2012 Oesterle et al.
D685,242 S * 7/2013 Vitantonio D8/64
D688,928 S * 9/2013 Busschaert D8/64
D705,028 S * 5/2014 Vitantonio D8/64

(Continued)

FOREIGN PATENT DOCUMENTS

EP 2700465 A1 * 2/2014 B23D 49/10
WO WO-2012121994 A1 * 9/2012 B23D 49/006
(Continued)

Primary Examiner — Sheryl Lane
Assistant Examiner — Ieisha N Price
(74) *Attorney, Agent, or Firm* — Depeng Bi; The Law
Offices of Konrad Sherinian, LLC

(56) **References Cited**

U.S. PATENT DOCUMENTS

2,954,808 A 10/1960 Sweeney
3,028,890 A 4/1962 Atkinson et al.
3,537,490 A 11/1970 Shaw
3,585,719 A 6/1971 Kivela
3,716,916 A 2/1973 Alexander
4,276,675 A 7/1981 Pioch
4,553,306 A 11/1985 Mineck
4,784,034 A 11/1988 Stones
4,953,301 A 9/1990 Dobbs
5,212,887 A * 5/1993 Farmerie B23D 49/165
30/392
D408,699 S * 4/1999 Zurwelle D8/64
D468,982 S * 1/2003 Brazell D8/64
D473,771 S * 4/2003 Hayakawa D8/64
6,550,147 B1 4/2003 Fishwick et al.
6,871,405 B2 3/2005 Reale et al.
D504,603 S * 5/2005 Xiaoxian D8/64
7,003,888 B2 2/2006 Bigden et al.
D525,845 S * 8/2006 Welsh D8/64

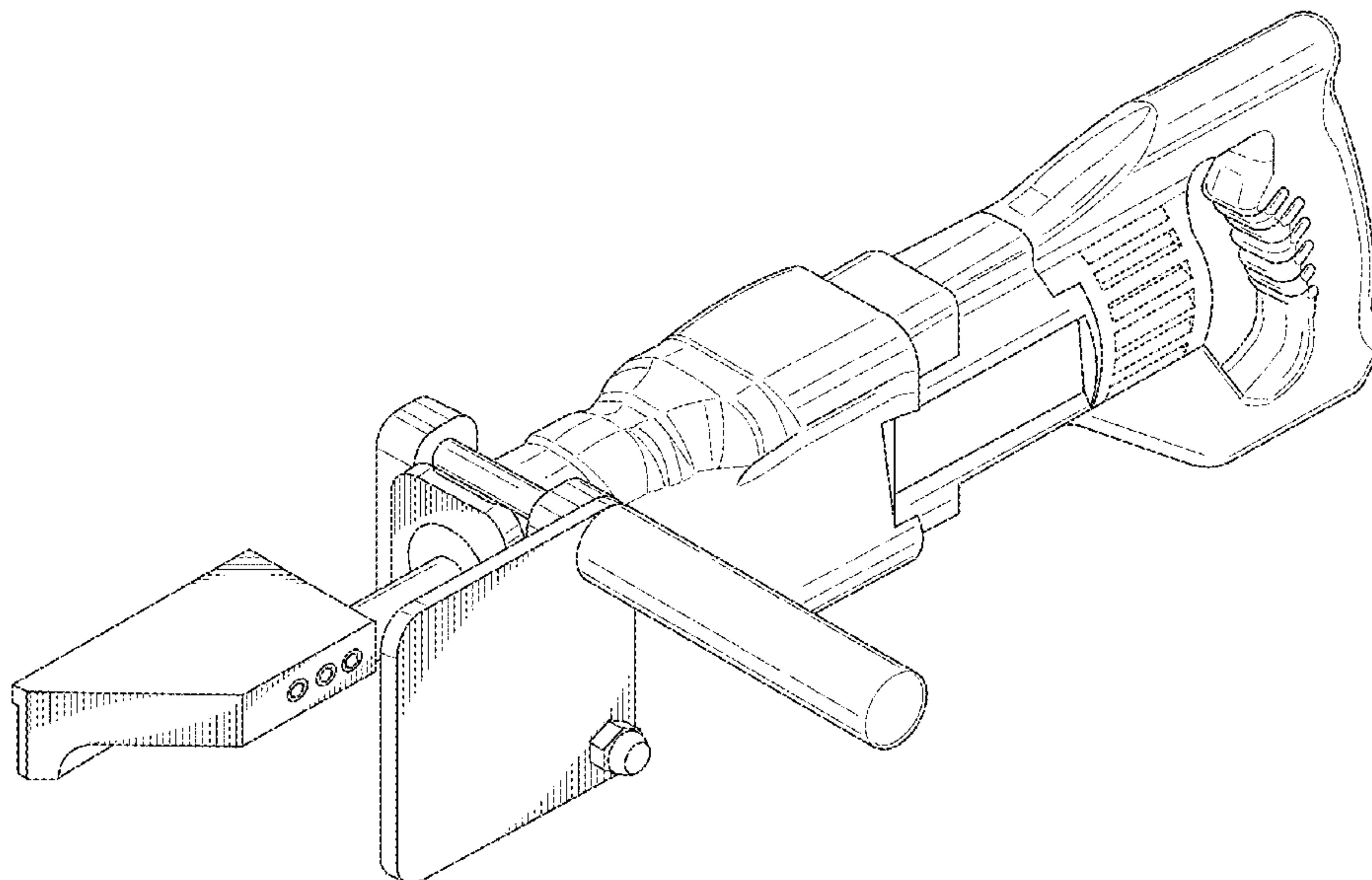
(57) **CLAIM**

The ornamental design for a reciprocating saw, as shown and described.

DESCRIPTION

FIG. 1 is a front perspective view of a reciprocating saw;
FIG. 2 is a left side view thereof;
FIG. 3 is a right side view thereof;
FIG. 4 is a top plan view thereof;
FIG. 5 is a bottom plan view thereof;
FIG. 6 is a rear view thereof; and,
FIG. 7 is a front view thereof.
The broken lines in the drawings illustrate portions of the reciprocating saw and form no part of the claimed design.

1 Claim, 4 Drawing Sheets



(56)

References Cited

U.S. PATENT DOCUMENTS

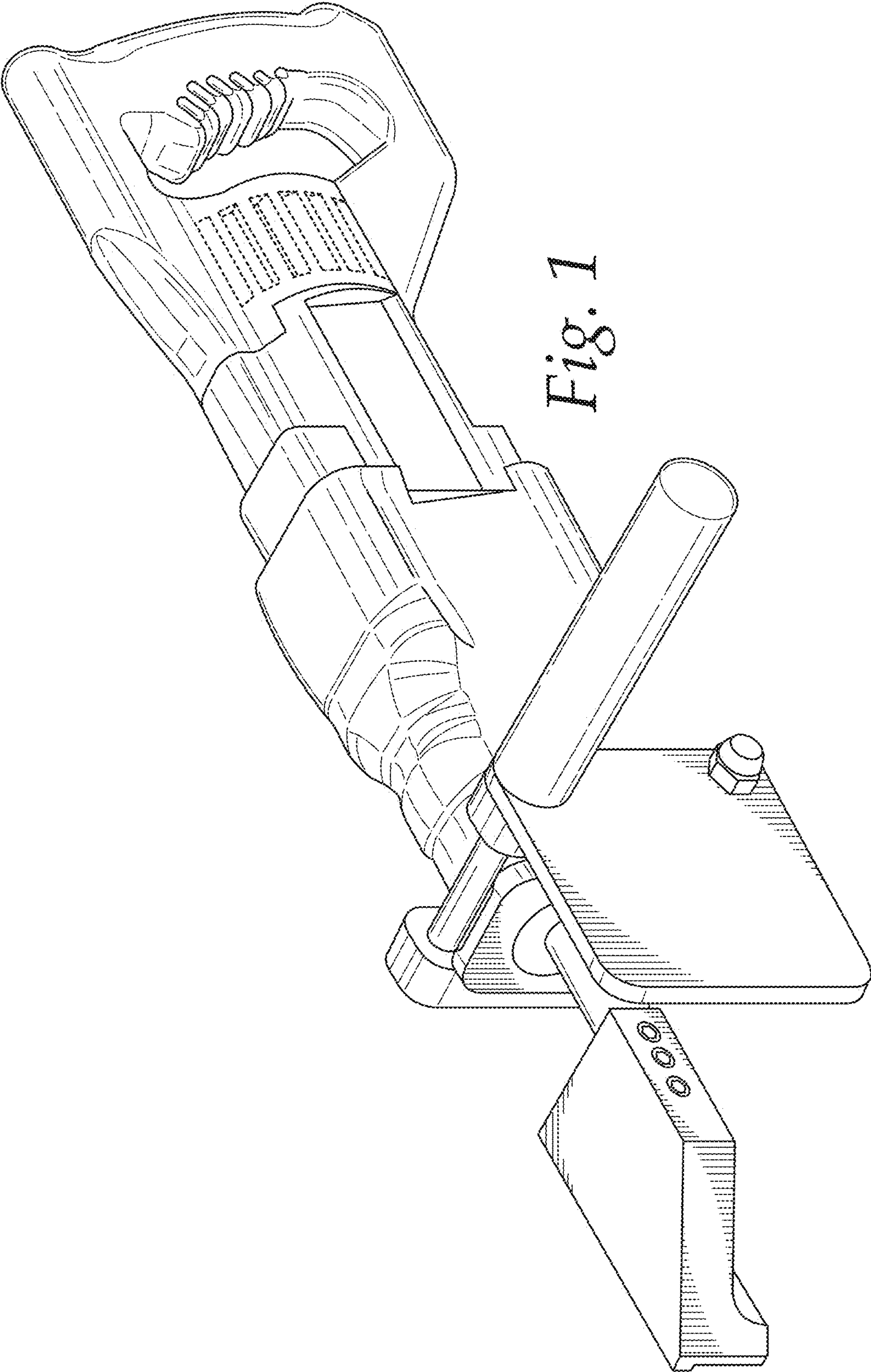
D752,406 S * 3/2016 Kanda D8/64
 9,278,397 B2 3/2016 Lemman
 9,643,267 B2 * 5/2017 Kazda B23D 61/128
 D790,939 S * 7/2017 Elder D8/64
 10,239,138 B1 * 3/2019 Bates A22C 17/0033
 D901,273 S * 11/2020 Shi D8/64
 11,033,973 B2 * 6/2021 Mikat-Stevens B23D 49/165
 2003/0051352 A1 * 3/2003 Clark, Jr. B23D 51/16
 30/392
 2004/0098870 A1 * 5/2004 Nemazi B23D 51/10
 30/392
 2004/0148789 A1 * 8/2004 Gist B23D 51/01
 30/392
 2004/0151558 A1 8/2004 Klopper
 2006/0086218 A1 * 4/2006 Quinn B23D 51/10
 83/13
 2006/0117580 A1 * 6/2006 Serdynski B23D 51/16
 30/392
 2007/0175050 A1 * 8/2007 Parker B23D 49/11
 30/392
 2007/0209217 A1 9/2007 Ritter et al.
 2009/0241354 A1 * 10/2009 Zhou B23D 49/167
 30/393

2011/0107608 A1 * 5/2011 Wattenbach B23D 49/165
 30/394
 2012/0096721 A1 * 4/2012 Sinur B23D 51/16
 30/392
 2013/0092408 A1 * 4/2013 Oberheim B25F 5/006
 173/2
 2014/0137415 A1 * 5/2014 Clearman B23D 51/10
 30/167
 2014/0173919 A1 * 6/2014 Lemman B23D 49/11
 30/394
 2014/0190023 A1 * 7/2014 Vitantonio B23D 49/006
 30/369
 2014/0283394 A1 * 9/2014 Adams B23D 49/162
 30/374
 2015/0059192 A1 * 3/2015 Fragapane B23D 51/10
 30/392
 2016/0221092 A1 8/2016 Lemman
 2017/0072483 A1 * 3/2017 Gamble B23D 49/007
 2017/0190041 A1 * 7/2017 Dey, IV F16F 9/535
 2017/0216986 A1 * 8/2017 Dey, IV B23D 51/16
 2017/0361448 A1 * 12/2017 Krupsaw B25F 5/006
 2019/0351539 A1 * 11/2019 Onishi B25F 5/00

FOREIGN PATENT DOCUMENTS

WO WO-2013020115 A2 * 2/2013 B23D 61/123
 WO WO-2019210743 A1 * 11/2019 B23D 51/10

* cited by examiner



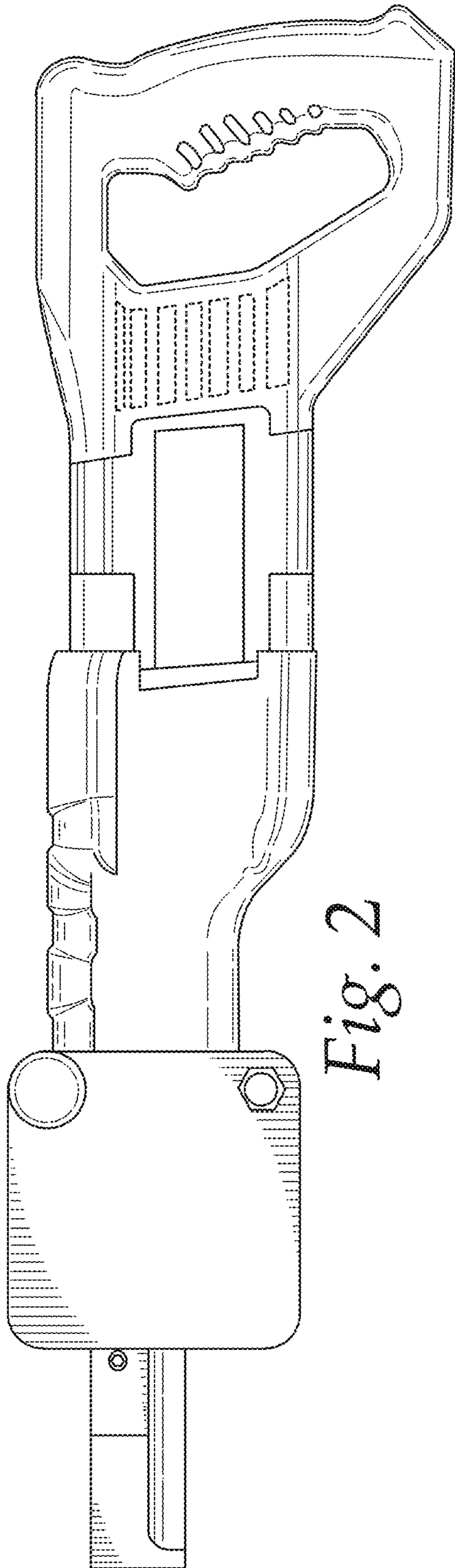


Fig. 2

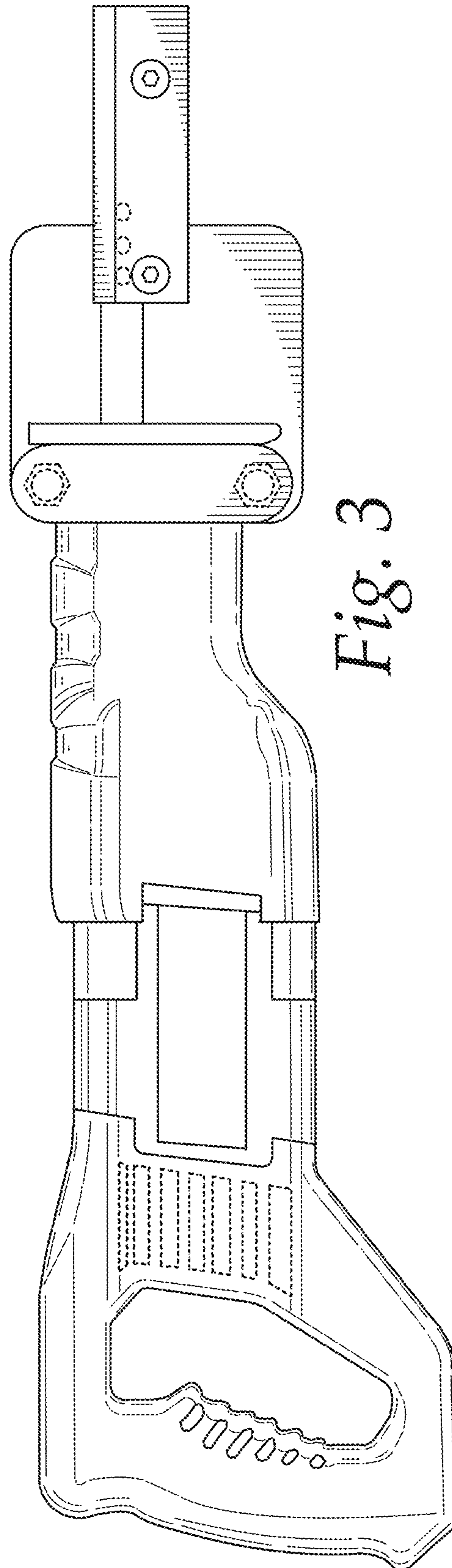


Fig. 3

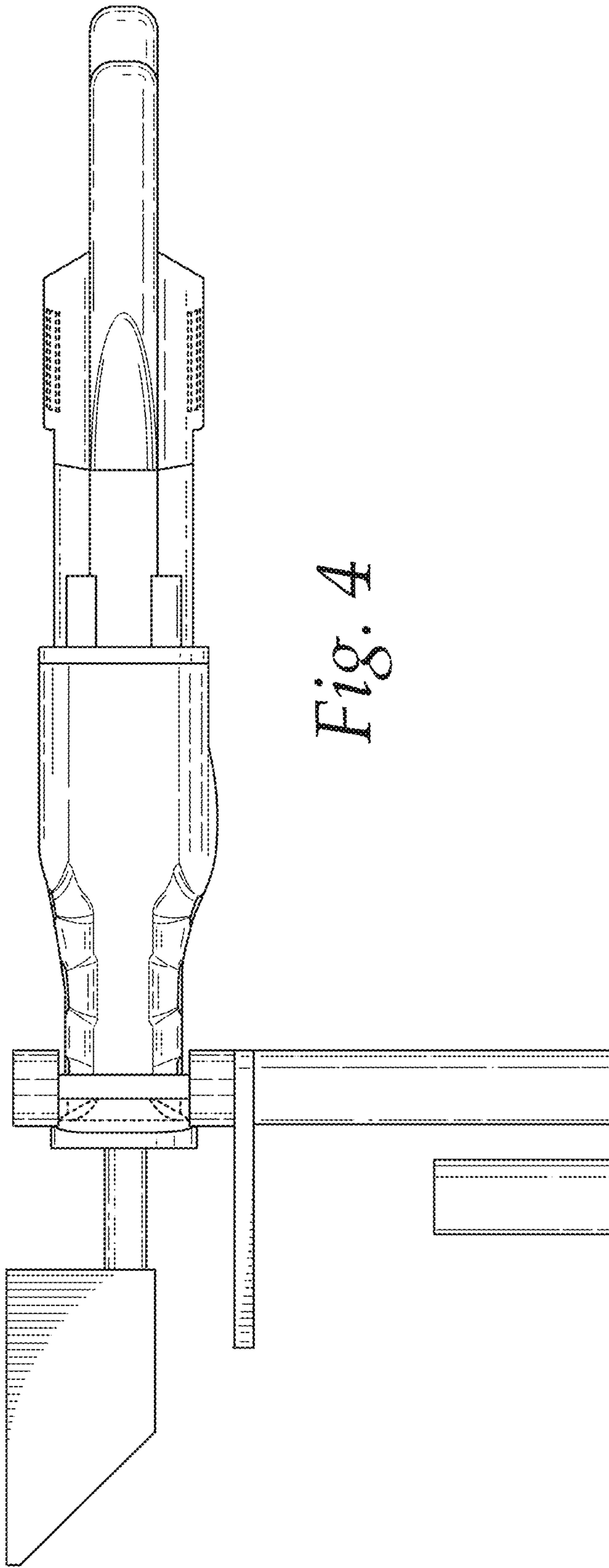


Fig. 4

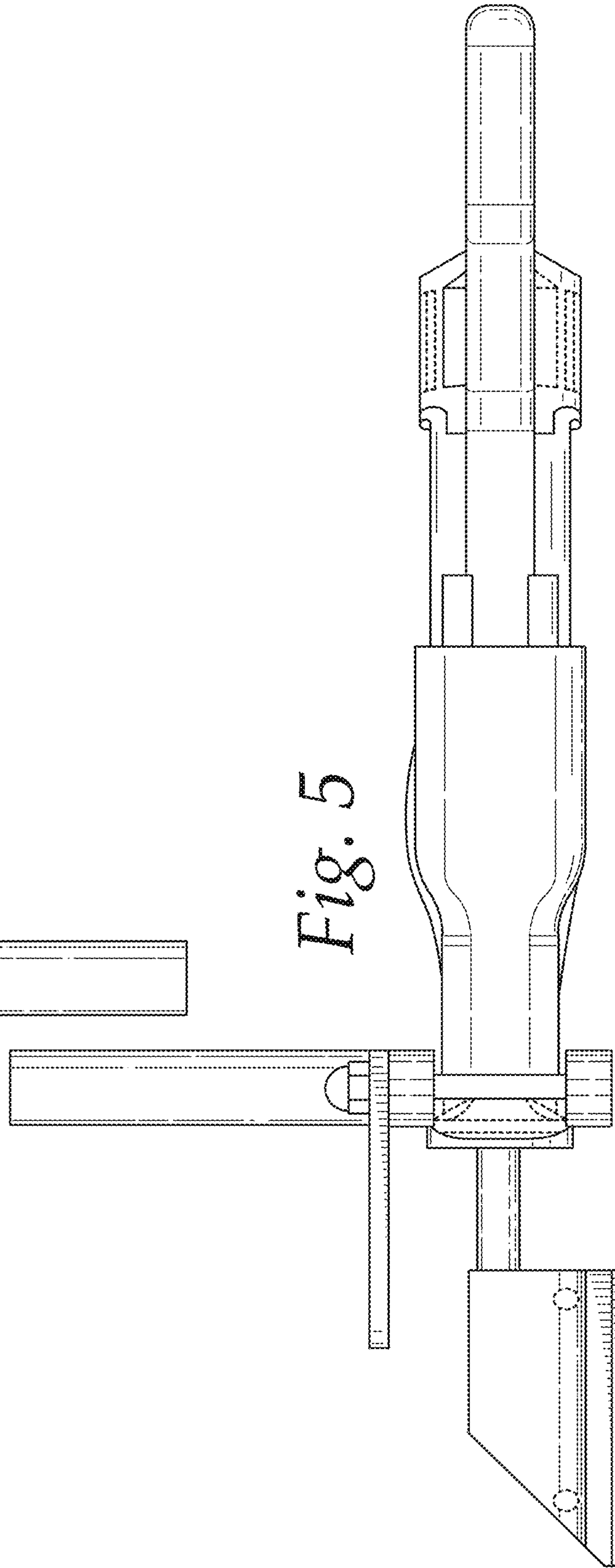


Fig. 5

