

US00D964132S

(12) **United States Design Patent**
Whitney

(10) **Patent No.:** **US D964,132 S**

(45) **Date of Patent:** **** Sep. 20, 2022**

- (54) **CAN OPENER DRIVE GEAR**
- (71) Applicant: **Edlund Company, LLC**, Burlington, VT (US)
- (72) Inventor: **Ryan S. Whitney**, Essex Junction, VT (US)
- (73) Assignee: **Edlund Company, LLC**, Burlington, VT (US)
- (**) Term: **15 Years**
- (21) Appl. No.: **29/789,945**
- (22) Filed: **Oct. 26, 2021**
- (51) **LOC (13) Cl.** **07-99**
- (52) **U.S. Cl.**
USPC **D8/33; D15/148**
- (58) **Field of Classification Search**
USPC D8/18, 33-43; D15/148
CPC ... F16H 7/06; F16H 7/12; F16H 55/08; F16H 55/30; E02F 5/06; E02F 5/14; B67B 7/00; B67B 7/04; B67B 7/06; B67B 7/30; B67B 7/34; B67B 7/14; B67B 7/16; B67B 7/18; B67B 7/20; B67B 7/44
See application file for complete search history.

- 4,125,941 A * 11/1978 McKinley B67B 7/34 30/427
- 4,207,676 A * 6/1980 Okumura B67B 7/38 30/424
- D287,456 S * 12/1986 Kobos B67B 7/385 D8/40

(Continued)

OTHER PUBLICATIONS

Tesor Replacment Knife blade and Gear for Commercial Can openers, Reviewed Dec. 7, 2019.*

(Continued)

Primary Examiner — Philip S Hyder

(74) *Attorney, Agent, or Firm* — Downs Rachlin Martin PLLC

(57) **CLAIM**

The ornamental design for a can opener drive gear, as shown and described.

DESCRIPTION

FIG. 1 is a perspective view of a can opener drive gear showing my new design;
FIG. 2 is a front view thereof;
FIG. 3 is a rear view thereof;
FIG. 4 is a side view thereof;
FIG. 5 is a second side view thereof;
FIG. 6 is a top view thereof;
FIG. 7 is a bottom view thereof; and,
FIG. 8 is a cross sectional view taken along line 8-8 of FIG. 2.

The dash-dash broken lines in the Figures are for the purpose of illustrating unclaimed portions of the can opener drive gear and form no part of the claimed design.

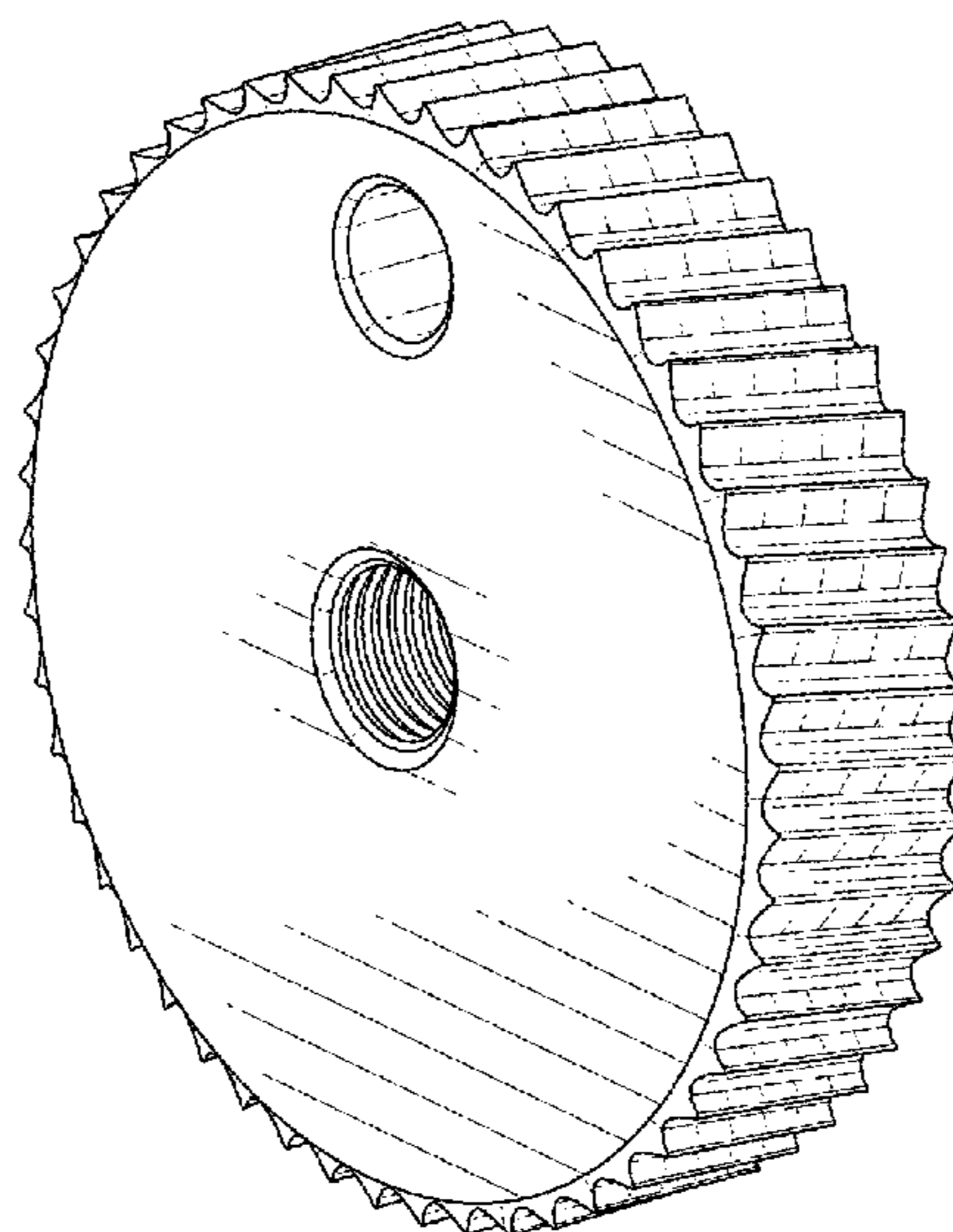
The dot-dash broken lines are boundary lines and represent boundaries of the claimed design and do not form part of the claimed design. The shade lines in the Figures show contour and not surface ornamentation.

1 Claim, 3 Drawing Sheets

(56) **References Cited**

U.S. PATENT DOCUMENTS

- 1,684,414 A 9/1928 Adolph
- 3,688,400 A * 9/1972 Aberer B67B 7/38 30/419
- 3,733,698 A * 5/1973 Yamamoto B67B 7/38 30/404
- 3,765,085 A 10/1973 Ponczek
- 3,949,468 A * 4/1976 McLean B67B 7/38 30/424
- 3,983,625 A 10/1976 McLean
- 3,995,366 A 12/1976 McLean
- 4,053,981 A * 10/1977 Aberer B67B 7/38 30/421



(56)

References Cited

U.S. PATENT DOCUMENTS

4,860,455 A * 8/1989 Conneally B67B 7/38
30/424
4,995,164 A * 2/1991 Borger B67B 7/385
30/423
5,170,565 A 12/1992 Brisard
5,181,433 A * 1/1993 Ueno F16H 55/08
74/409
5,291,658 A * 3/1994 Wilson B67B 7/34
30/418
D394,590 S * 5/1998 McCormick B67B 7/38
D8/36
D402,995 S * 12/1998 Hakamata D15/5
6,092,292 A 7/2000 Molnar et al.
6,158,130 A 12/2000 Chong
6,182,368 B1 2/2001 So
6,189,221 B1 2/2001 Barrow et al.
6,505,405 B2 1/2003 Hui
6,516,524 B1 2/2003 Brady
7,213,340 B1 5/2007 Lee
7,409,768 B1 * 8/2008 Chapman B67B 7/32
30/426
7,437,825 B2 10/2008 Sanders et al.
7,574,808 B2 8/2009 Mah et al.
7,596,874 B2 10/2009 Mah et al.
8,312,633 B2 11/2012 Garman et al.
8,312,663 B2 11/2012 Johnson
8,539,682 B2 9/2013 Mah et al.
8,955,227 B2 2/2015 Lee
D815,675 S * 4/2018 Karol D15/148
D881,959 S * 4/2020 Karol D15/148

2007/0033814 A1 2/2007 So et al.
2007/0033815 A1 2/2007 Lazaroff et al.
2007/0175051 A1 * 8/2007 Mah B67B 7/34
30/401
2007/0180712 A1 * 8/2007 Mah B67B 7/385
30/418
2012/0047753 A1 * 3/2012 Mah B67B 7/385
30/418
2015/0239721 A1 8/2015 Bechtold
2015/0337942 A1 * 11/2015 Kiten F16H 55/0886
74/462
2016/0221814 A1 * 8/2016 Kent B67B 7/34
2019/0092386 A1 * 3/2019 Wu B62D 7/026
2020/0141479 A1 * 5/2020 Feuerborn F16H 55/42
2020/0292048 A1 * 9/2020 Feuerborn F16H 55/171
2021/0180674 A1 * 6/2021 Töpfer F16H 1/08

OTHER PUBLICATIONS

Edlund, S-11 NSF Manual Can Openers. <https://www.edlundco.com/products/s-11-manual-can-openers/> (Last downloaded on Oct. 11, 2021).
Edlund, U-12 NSF Manual Can Openers. <https://www.edlundco.com/products/u-series-manual-can-opener/> (Last downloaded on Oct. 11, 2021).
Edlund, New! SG-2 NSF Stainless Manual Can Openers. <https://www.edlundco.com/products/sg-2-nsf-stainless-steel-manual-can-opener/> (Last downloaded on Oct. 11, 2021).
Edlund, G-2 Series NSF Manual Can Opener. <https://www.edlundco.com/products/g-series-manual-can-openers/> (Last downloaded on Oct. 11, 2021).

* cited by examiner

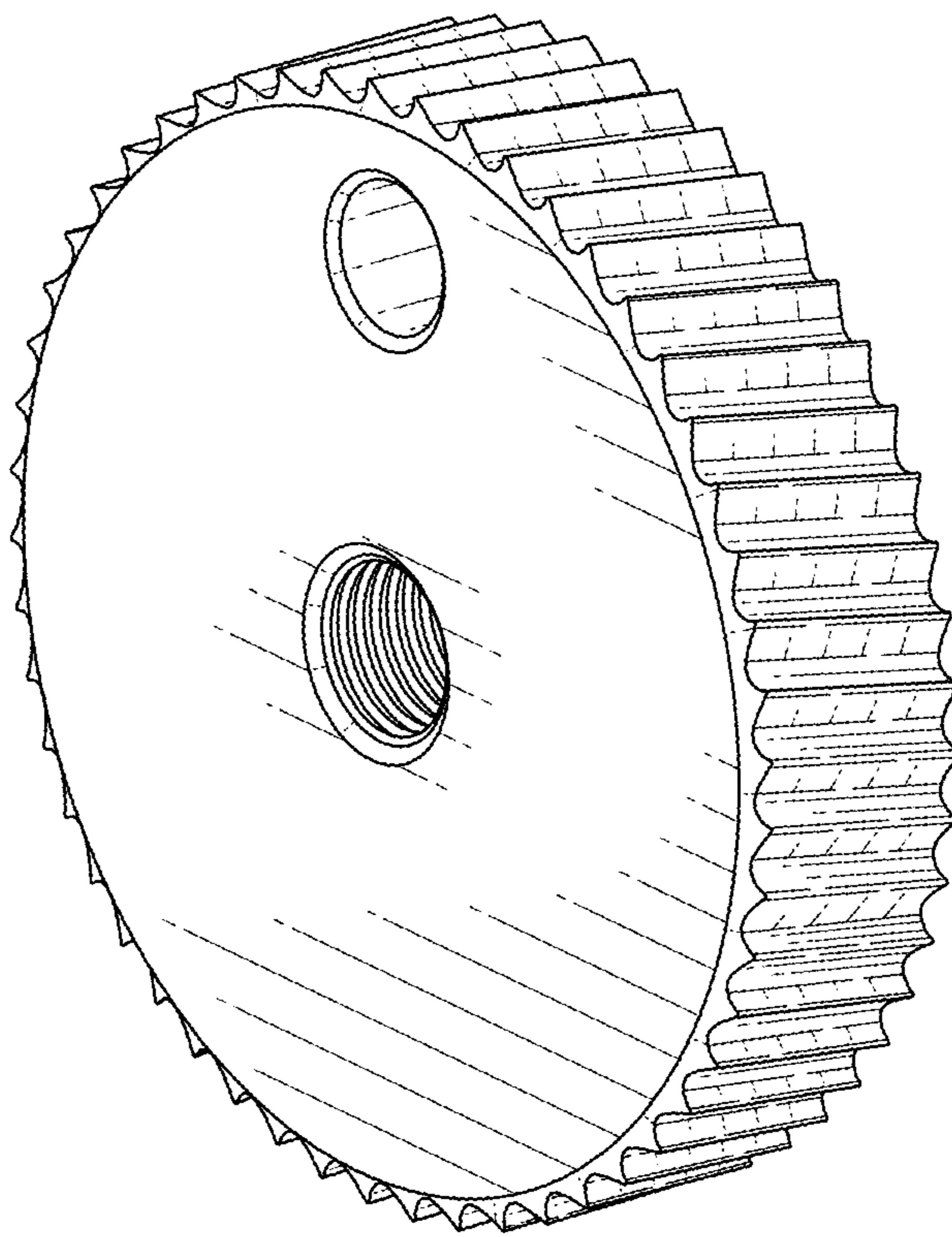


FIG. 1

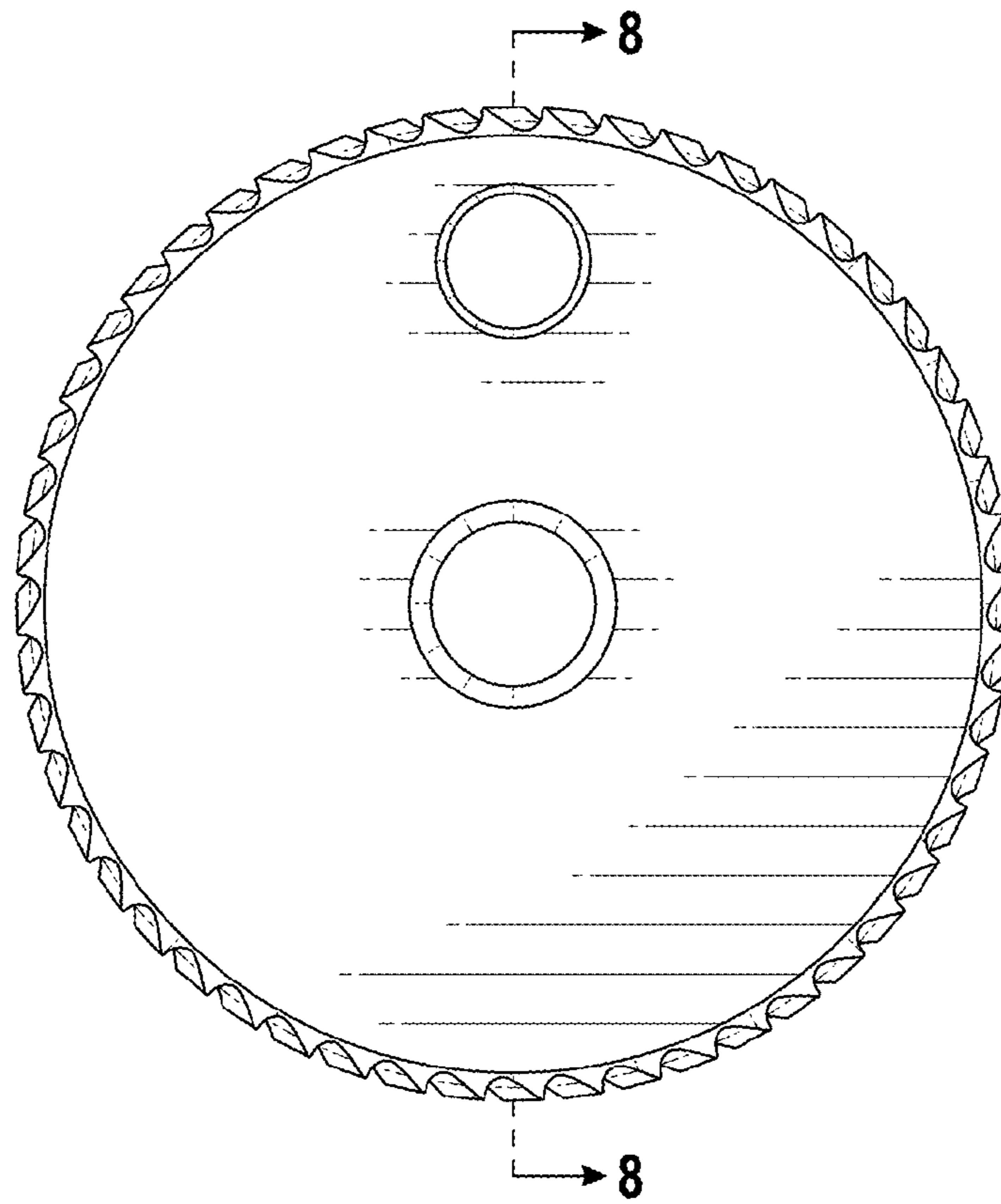


FIG. 2

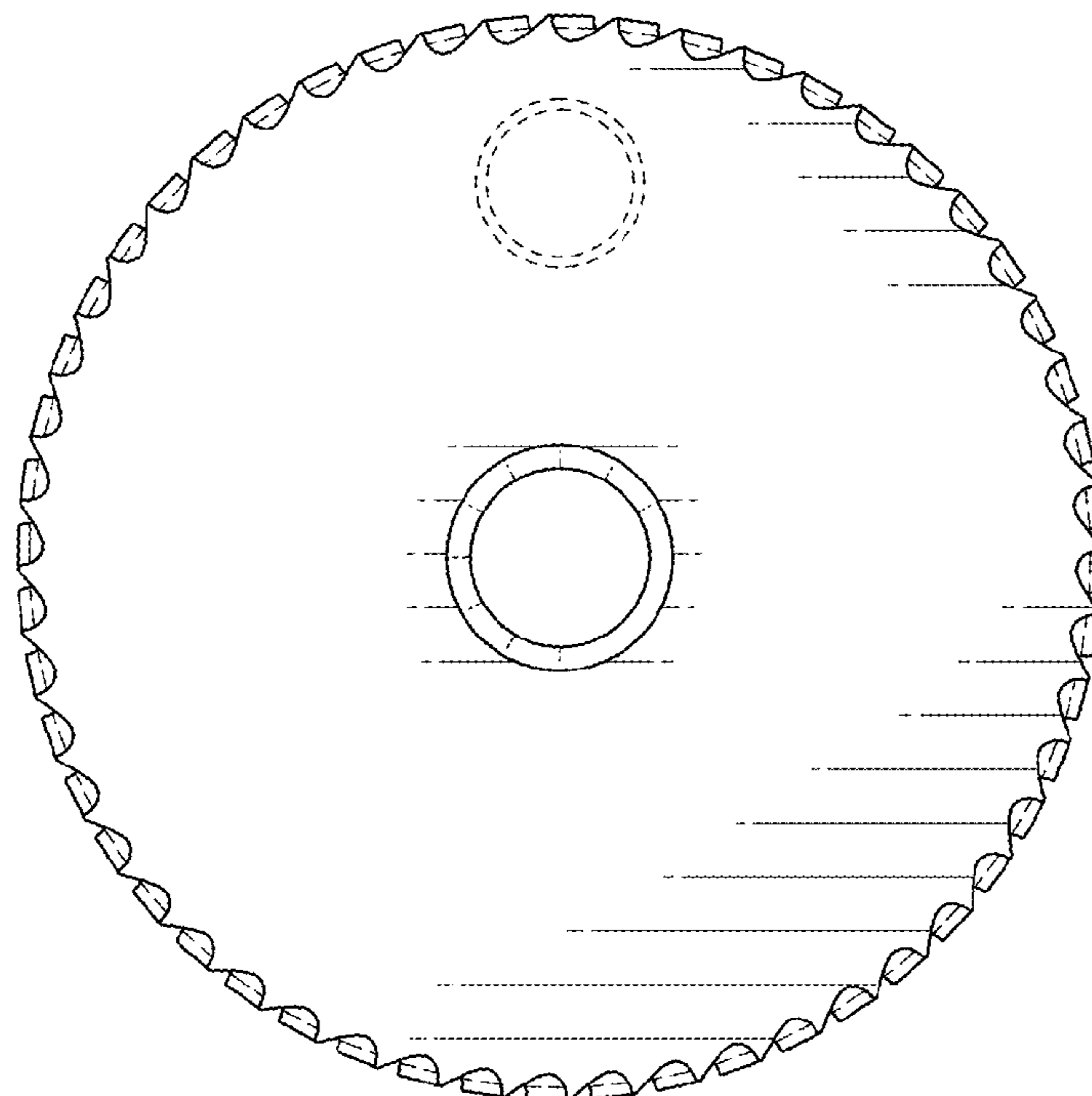


FIG. 3

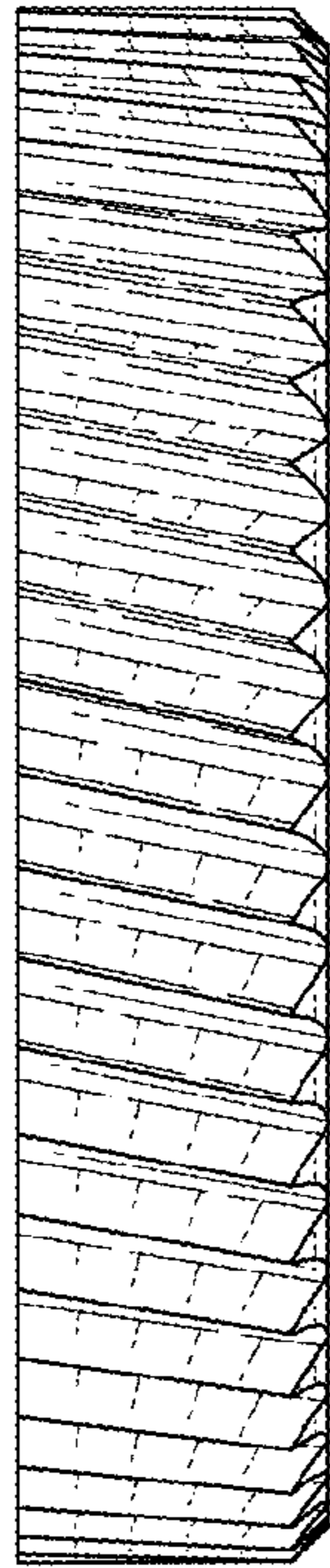


FIG. 4

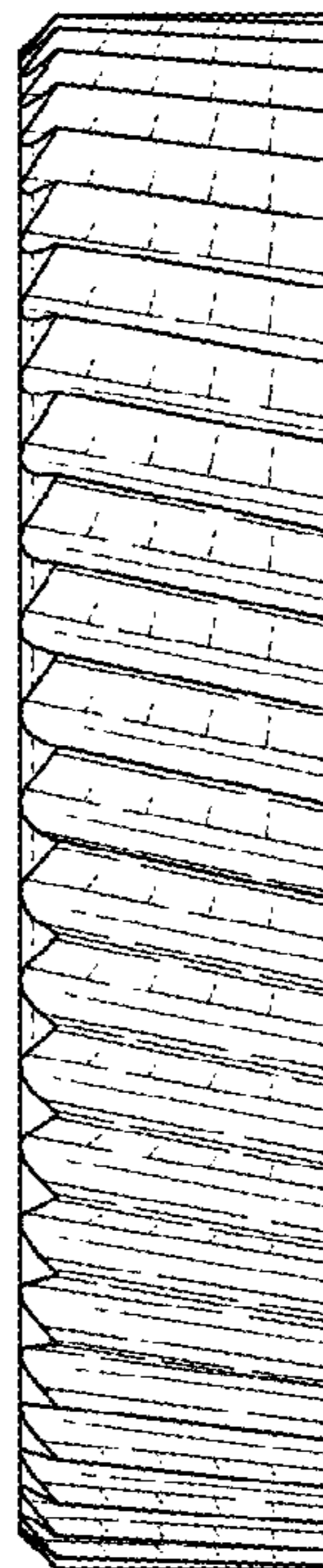


FIG. 5

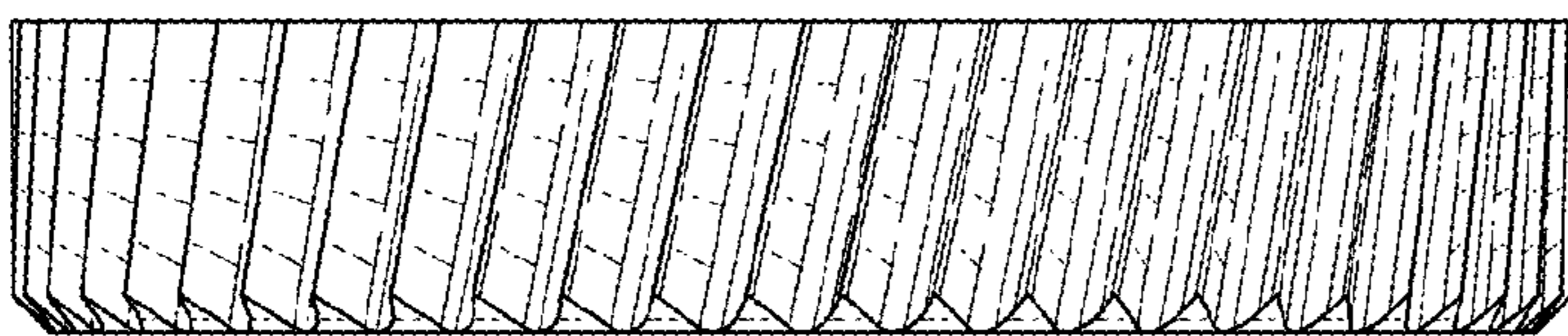


FIG. 6

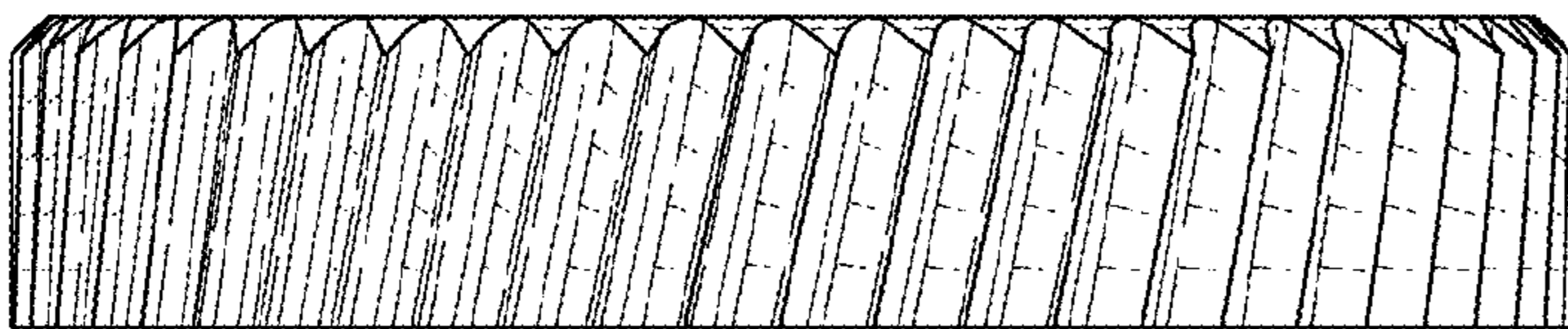


FIG. 7

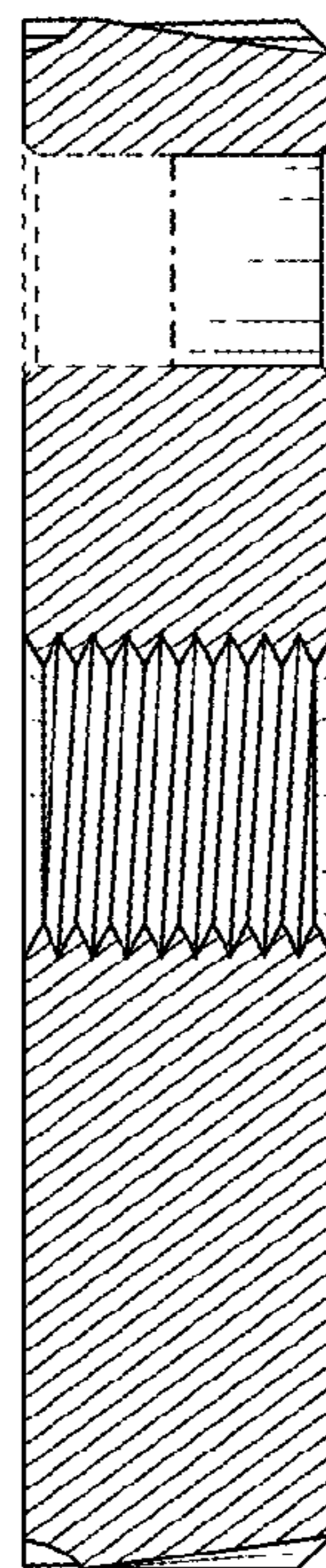


FIG. 8