

US00D964131S

(12) **United States Design Patent** (10) **Patent No.:** **US D964,131 S**
Whitney (45) **Date of Patent:** **** Sep. 20, 2022**

(54) **CAN OPENER KNIFE HINGE** 1,713,823 A * 5/1929 Edlund B67B 7/36
30/416
(71) Applicant: **Edlund Company, LLC**, Burlington, VT (US) D291,174 S * 8/1987 Koziol D8/42
4,689,886 A * 9/1987 Bernazzani B67B 7/32
30/433
(72) Inventor: **Ryan S. Whitney**, Essex Junction, VT (US) D299,614 S * 1/1989 Young B67B 7/30
D8/93

(Continued)

(73) Assignee: **Edlund Company, LLC**, Burlington, VT (US)

(**) Term: **15 Years**

(21) Appl. No.: **29/789,943**

(22) Filed: **Oct. 26, 2021**

Related U.S. Application Data

(63) Continuation of application No. 17/450,926, filed on Oct. 14, 2021.

(51) **LOC (13) Cl.** **07-99**

(52) **U.S. Cl.**
USPC **D8/33**

(58) **Field of Classification Search**
USPC D8/1, 4, 5, 7, 9, 11, 12, 13, 18, 20, 33,
D8/34, 35, 36, 38, 40, 90, 92, 93, 98, 99,
D8/104, 105; D7/649, 653, 667, 683,
D7/685, 686, 687, 692; D15/13
CPC B26B 5/005; B26B 5/006; B26B 9/00;
B26B 9/02; B67B 7/00; B67B 7/16;
B67B 7/30; B67B 7/34; B67B 2007/303;
B67B 2007/306
See application file for complete search history.

(56) **References Cited**

U.S. PATENT DOCUMENTS

198,959 A * 1/1878 Williams B67B 7/24
30/448
1,534,932 A * 4/1925 Edlund B67B 7/32
30/416
1,537,110 A * 5/1925 Edlund B67B 7/36
30/416

OTHER PUBLICATIONS

Edlund, S-11 NSF Manual Can Openers. <https://www.edlundco.com/products/s-11-manual-can-openers/> (Last downloaded on Oct. 11, 2021).

(Continued)

Primary Examiner — Rachel A. Voorhies
Assistant Examiner — Benjamin D. Wannemacher
(74) *Attorney, Agent, or Firm* — Downs Rachlin Martin PLLC

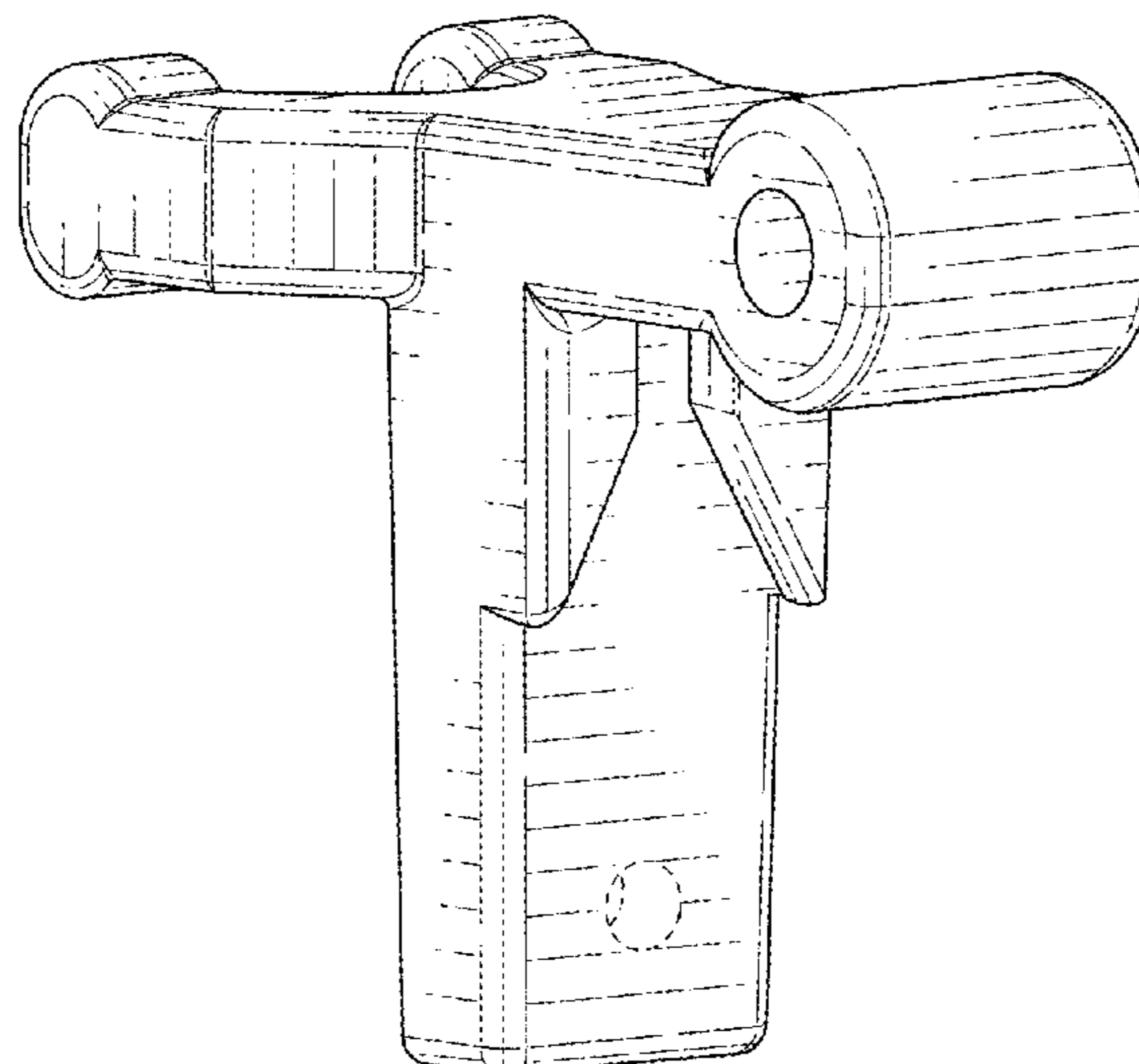
(57) **CLAIM**

The ornamental design for a can opener knife hinge, as shown and described.

DESCRIPTION

FIG. 1 is a perspective view of a can opener knife hinge showing my new design;
FIG. 2 is a side view thereof;
FIG. 3 is a second side view thereof;
FIG. 4 is a front view thereof;
FIG. 5 is a rear view thereof;
FIG. 6 is a top view thereof; and,
FIG. 7 is a bottom view thereof.
The broken lines in the Figures are for the purpose of illustrating unclaimed portions of the can opener knife hinge and form no part of the claimed design.
The shade lines in the Figures show contour and not surface ornamentation.

1 Claim, 3 Drawing Sheets



(56)

References Cited

U.S. PATENT DOCUMENTS

5,052,110 A * 10/1991 Bartlett B67B 7/30
30/448
D335,075 S * 4/1993 Martin B67B 7/32
D8/93
5,313,708 A 5/1994 Edwards et al.
5,735,051 A * 4/1998 Berns B26B 5/005
30/329
6,189,221 B1 2/2001 Barrow
6,249,980 B1 * 6/2001 Edwards B67B 7/32
30/434
6,505,405 B2 1/2003 Hui
6,829,832 B2 12/2004 Chang
8,312,633 B2 11/2012 Garman et al.
D707,097 S * 6/2014 Kao B67B 7/36
D29/124
D934,648 S * 11/2021 Tompkin B67B 7/32
D8/105
2013/0340265 A1 12/2013 Peedell

OTHER PUBLICATIONS

Edlund, U-12 NSF Manual Can Openers. <https://www.edlundco.com/products/u-series-manual-can-opener/> (Last downloaded on Oct. 11, 2021).

Edlund, New! SG-2 NSF Stainless Manual Can Openers. <https://www.edlundco.com/products/sg-2-nsf-stainless-steel-manual-can-opener/> (Last downloaded on Oct. 11, 2021).

Edlund, G-2 Series NSF Manual Can Opener. <https://www.edlundco.com/products/g-series-manual-can-openers/> (Last downloaded on Oct. 11, 2021).

* cited by examiner

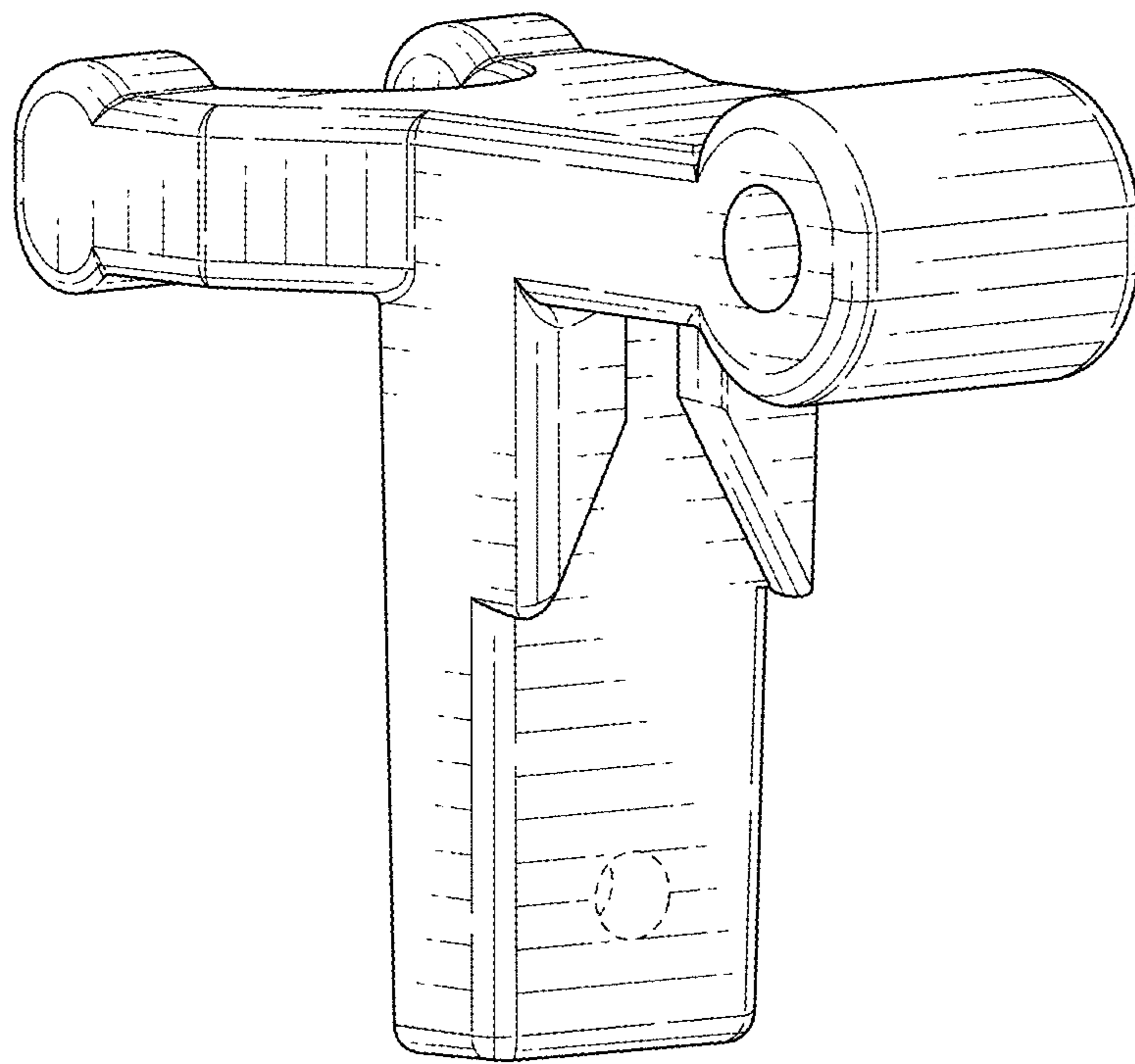


FIG. 1

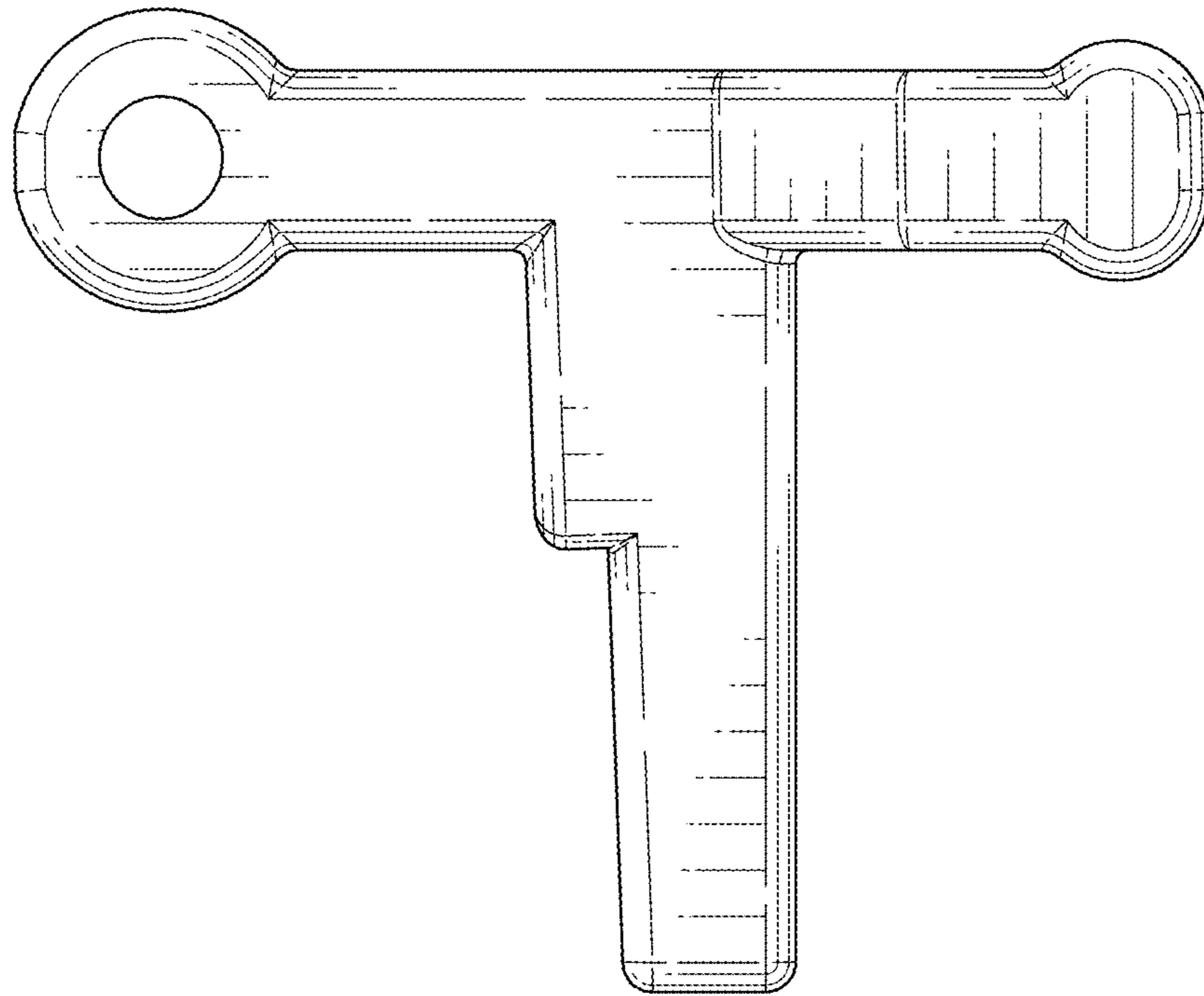


FIG. 2

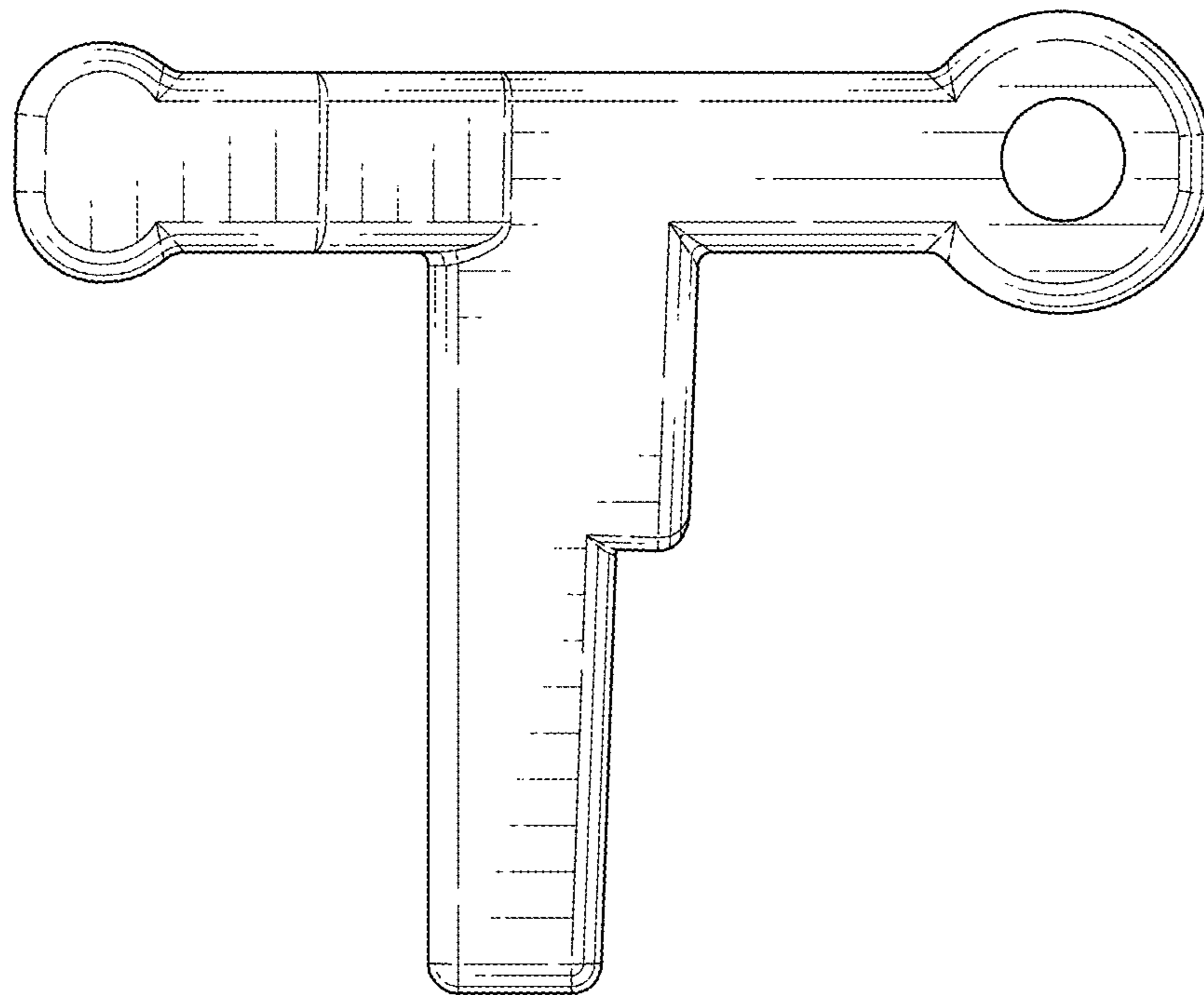


FIG. 3

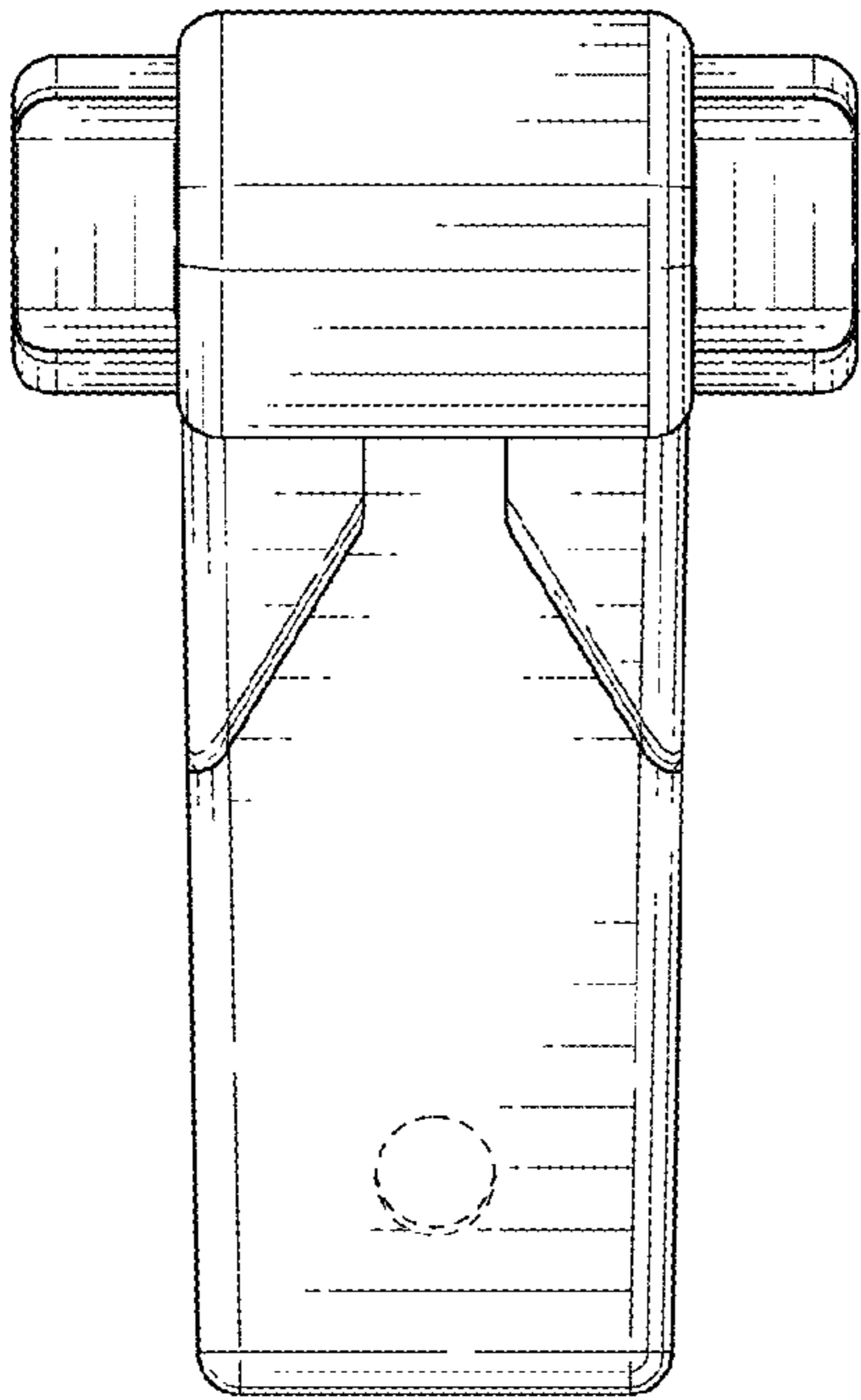


FIG. 4

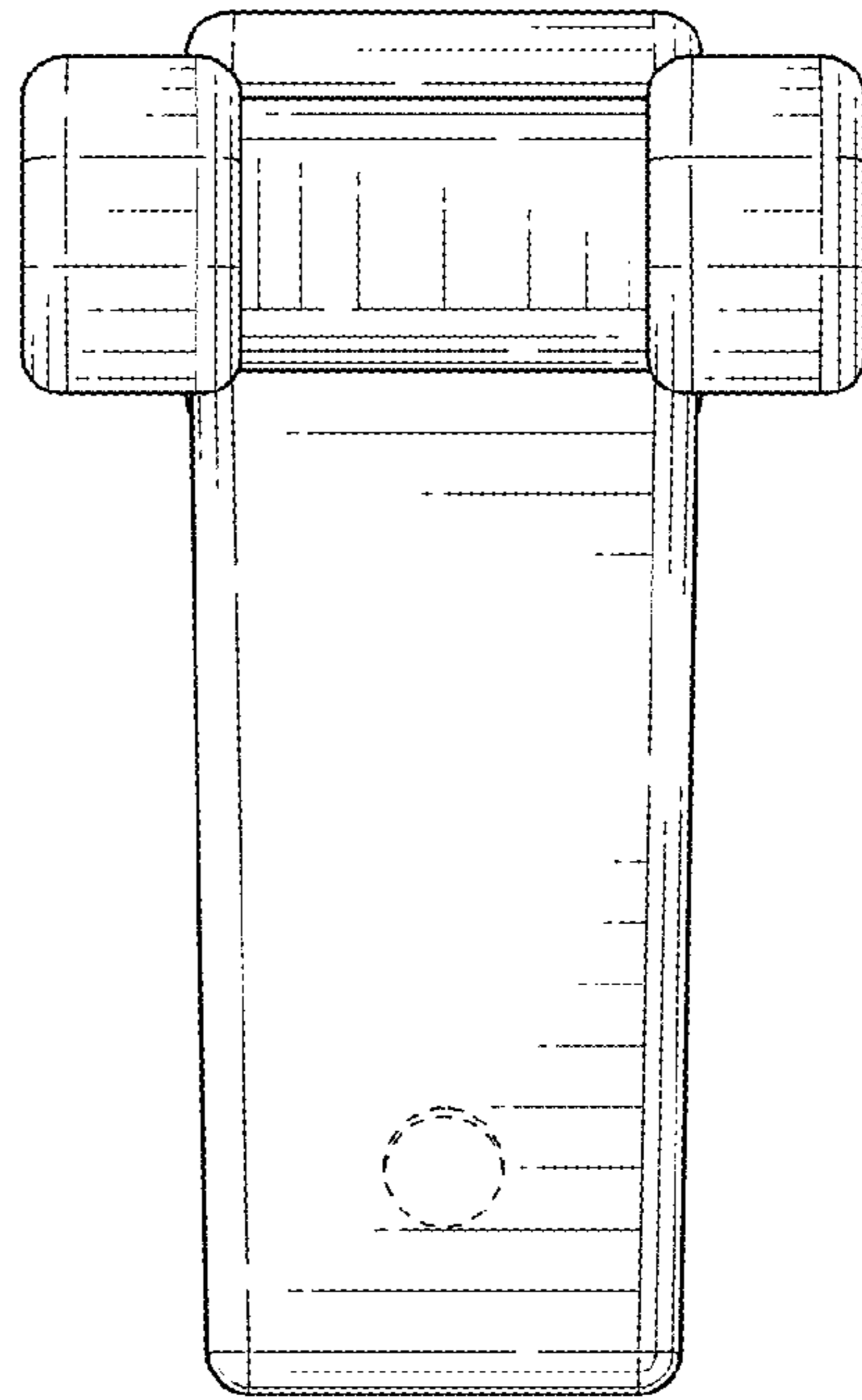


FIG. 5

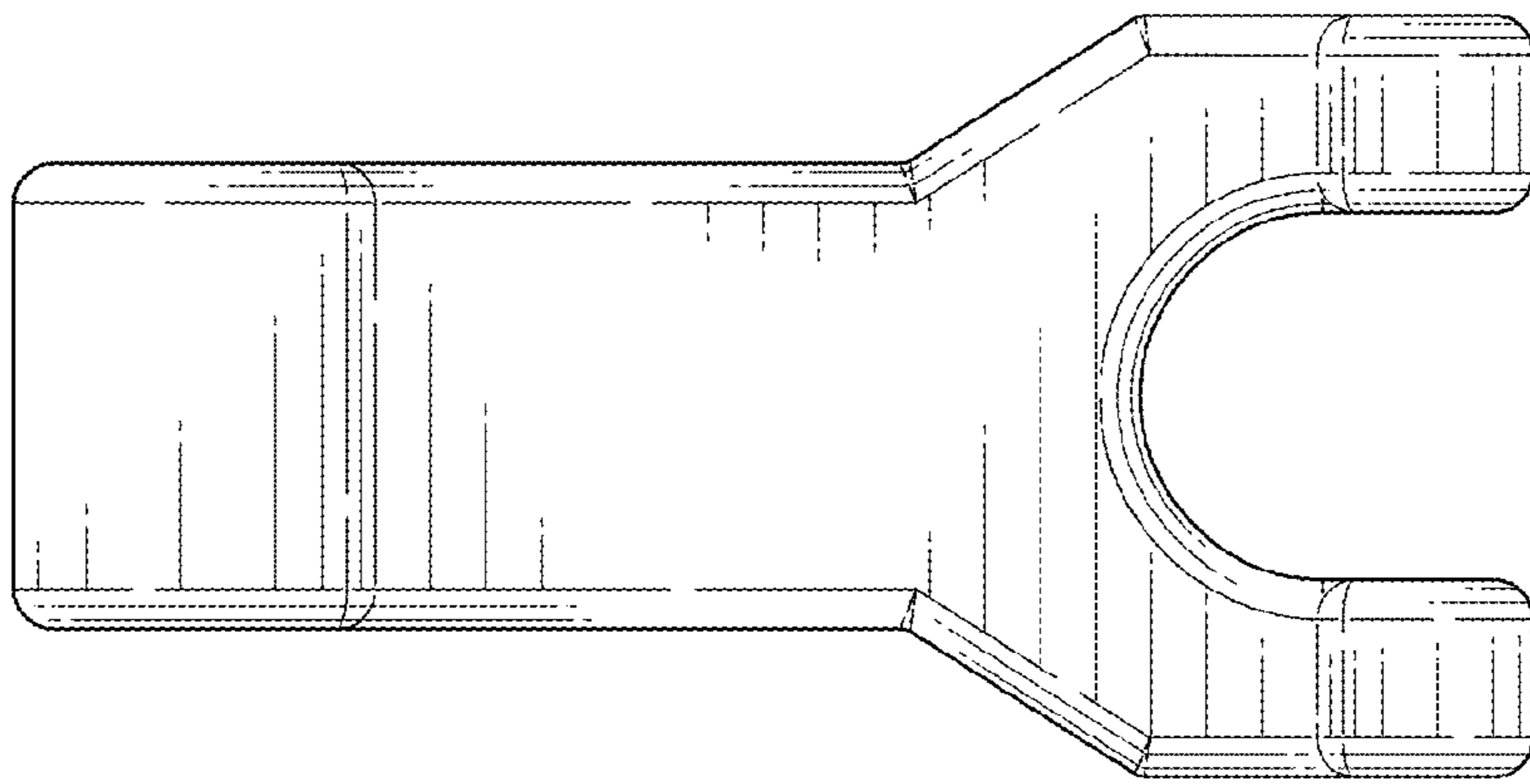


FIG. 6

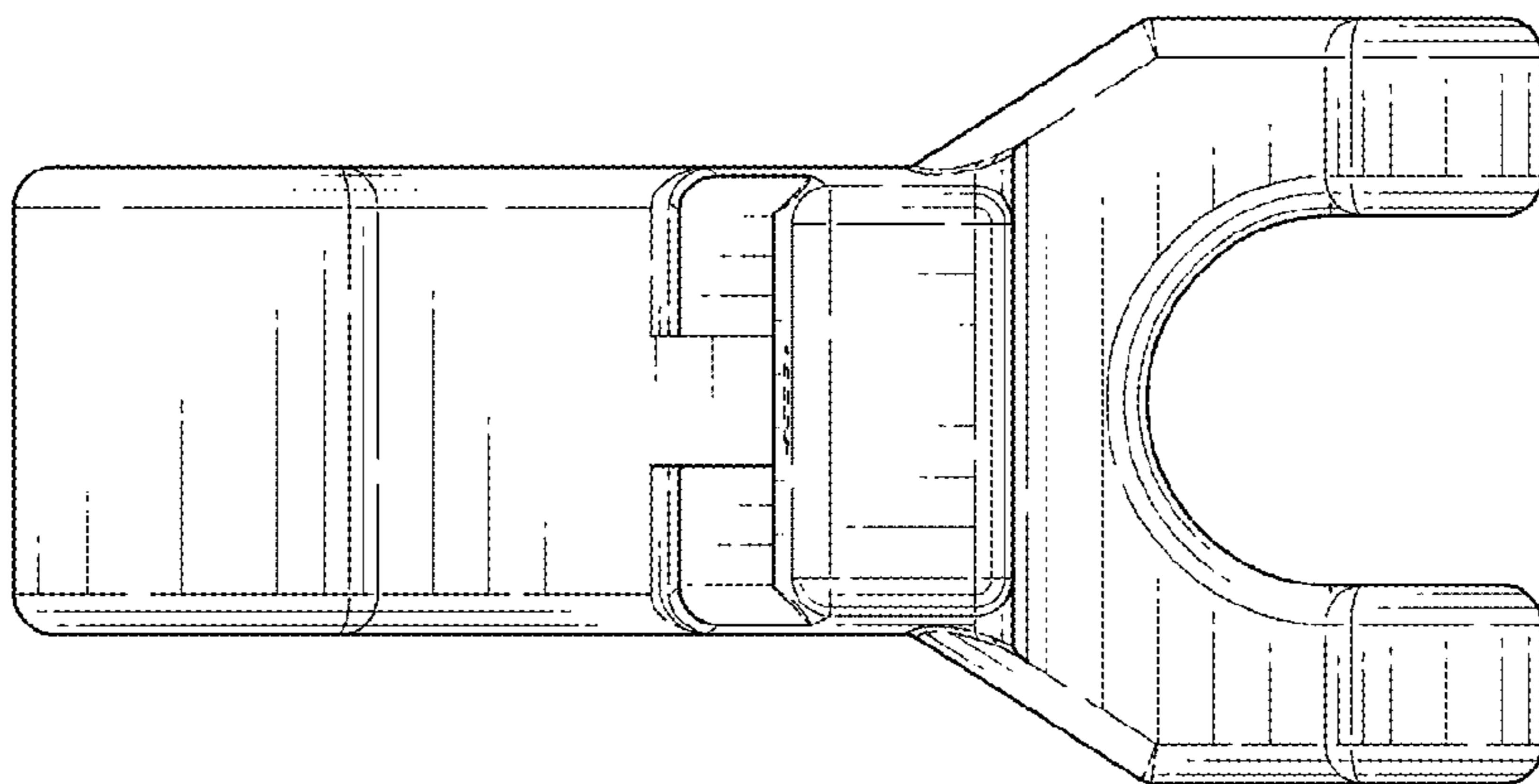


FIG. 7