



US00D964130S

(12) **United States Design Patent** (10) **Patent No.:** **US D964,130 S**
Zimmermann et al. (45) **Date of Patent:** **** Sep. 20, 2022**

(54) **TOOL**
(71) Applicant: **MILWAUKEE ELECTRIC TOOL CORPORATION**, Brookfield, WI (US)
(72) Inventors: **Michael J. Zimmermann**, New Berlin, WI (US); **Smith C. Theiler**, Plymouth, WI (US); **Marcus Wechselberger**, Brookfield, WI (US)

D477,198 S * 7/2003 Staton D8/29
6,626,068 B2 9/2003 McKivigan
6,711,974 B1 3/2004 Lin
6,729,210 B2 5/2004 Morris
6,854,364 B1 2/2005 Tassano et al.
6,901,825 B1 6/2005 Lebron
7,231,853 B1 6/2007 Burdge
7,258,045 B2 8/2007 Smith
D609,073 S * 2/2010 Lin D8/70
(Continued)

(73) Assignee: **MILWAUKEE ELECTRIC TOOL CORPORATION**, Brookfield, WI (US)

FOREIGN PATENT DOCUMENTS

(**) Term: **15 Years**

EP 0672504 A1 4/1997
EP 1034894 A2 9/2000
(Continued)

(21) Appl. No.: **29/645,666**

Primary Examiner — Michael C Stout
Assistant Examiner — Fritzgerald L Butac
(74) *Attorney, Agent, or Firm* — Michael Best & Friedrich LLP

(22) Filed: **Apr. 27, 2018**

(51) **LOC (13) Cl.** **08-05**

(52) **U.S. Cl.**
USPC **D8/29**

(58) **Field of Classification Search**
USPC D8/29; D15/140
CPC B23B 51/12; Y10S 464/901; Y10T 279/3406; Y10T 279/3412
See application file for complete search history.

(57) **CLAIM**

We claim the ornamental design for a tool, as shown and described.

DESCRIPTION

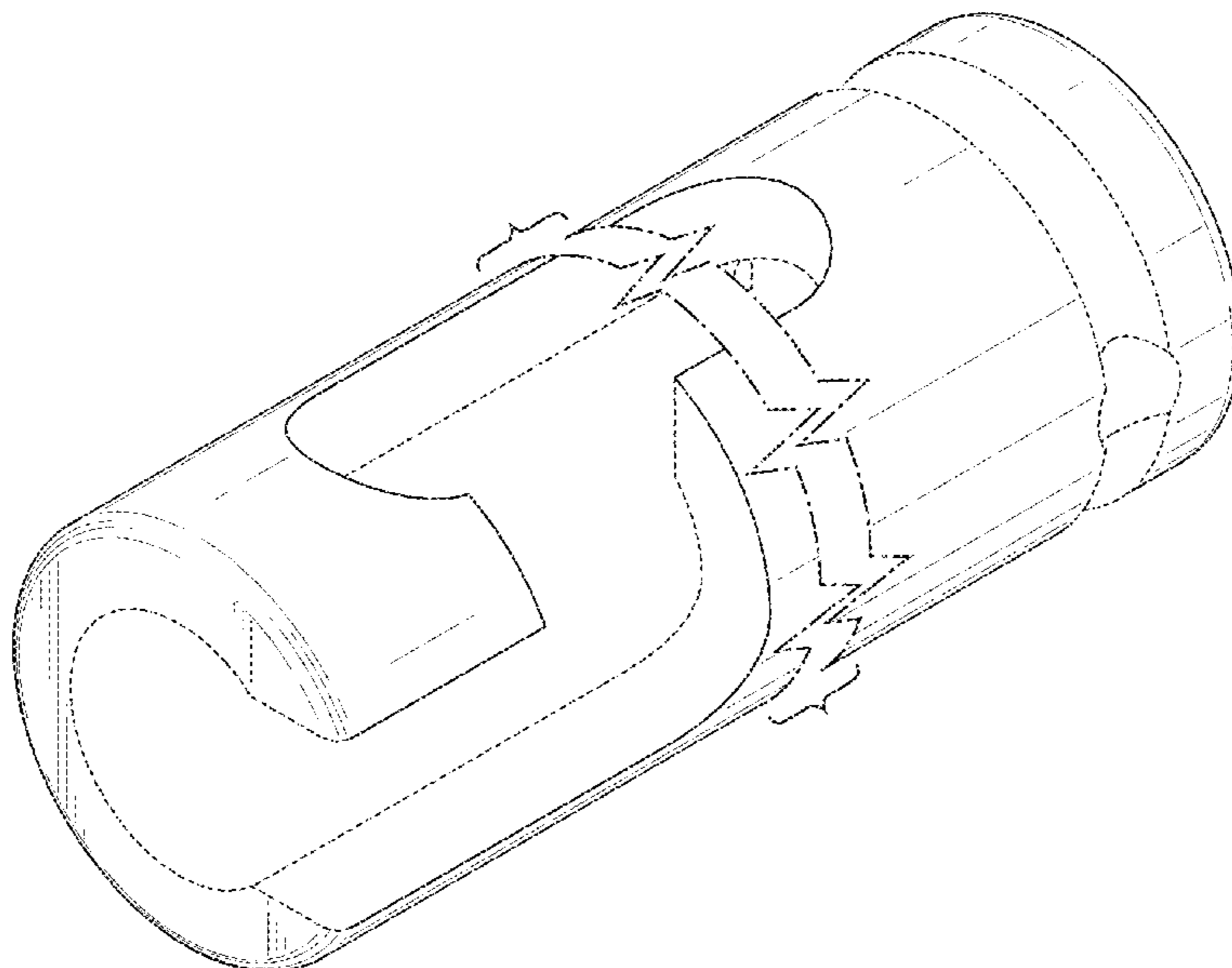
FIG. 1 is a perspective view of a tool according to the present design;
FIG. 2 is a first end view of the tool of FIG. 1;
FIG. 3 is a second end view of the tool of FIG. 1;
FIG. 4 is a first side view of the tool of FIG. 1;
FIG. 5 is a second side view of the tool of FIG. 1;
FIG. 6 is a third side view of the tool of FIG. 1; and,
FIG. 7 is a fourth side view of the tool of FIG. 1.
The broken lines show portions of the tool which form no part of the claimed design. In addition, the parallel dash-dot lines represent a symbolic break in the claimed design, and anything that appears within the confines of the parallel dash-dot lines forms no part of the claimed design.

(56) **References Cited**

U.S. PATENT DOCUMENTS

882,937 A 3/1908 Fegley
D160,267 S * 9/1950 McCammon et al. D8/29
2,642,105 A 6/1953 Alliano
4,509,393 A 4/1985 Castiglione
4,724,731 A 2/1988 Onofrio
5,199,333 A 4/1993 Snyder, Jr.
5,335,569 A 8/1994 Rowley
D355,343 S * 2/1995 Gliddings, Jr. D8/29
5,791,208 A 8/1998 Grubbs
5,809,851 A 9/1998 Thompson
5,899,124 A 5/1999 Cross, Jr.
5,943,922 A 8/1999 Rolfe

1 Claim, 4 Drawing Sheets



(56)

References Cited

U.S. PATENT DOCUMENTS

7,802,499 B2 9/2010 Stephens
 D629,820 S * 12/2010 Van Ryswyk D15/139
 7,878,093 B1 2/2011 Peterman
 8,083,276 B2 12/2011 Schopp
 D659,730 S * 5/2012 Cantion D15/140
 D715,342 S * 10/2014 Fundakowski D15/140
 9,221,155 B1 12/2015 Cantlon
 D774,866 S * 12/2016 Levey D8/70
 9,511,482 B2 12/2016 Stonefield
 D793,831 S * 8/2017 Russell D8/70
 D793,832 S * 8/2017 Russell D8/70
 D793,833 S * 8/2017 Russell D8/70
 D815,504 S * 4/2018 Feuerstein D8/29
 D825,306 S * 8/2018 Stinson D8/70
 D834,903 S * 12/2018 Lee D8/29
 D855,425 S * 8/2019 Hogue D8/29
 D856,100 S * 8/2019 Green D8/29
 D891,613 S * 7/2020 Choate D24/119

D902,679 S * 11/2020 Shropshire D8/29
 D907,156 S * 1/2021 Purnomohadi D22/108
 D912,811 S * 3/2021 Gosik-Wolfe D24/133
 10,953,521 B2 * 3/2021 Zimmermann B25B 13/102
 D922,166 S * 6/2021 Sawa D8/70
 2005/0132848 A1 6/2005 Tassano et al.
 2005/0155156 A1 7/2005 Tassano
 2006/0169108 A1 8/2006 Boone
 2008/0011128 A1 1/2008 Stephens
 2011/0204584 A1 8/2011 Watts et al.
 2011/0277597 A1 11/2011 Van Ryswyk
 2017/0028535 A1 2/2017 Frandina

FOREIGN PATENT DOCUMENTS

EP 1110674 B1 9/2004
 EP 1403004 B1 11/2009
 EP 2808126 A2 12/2014
 WO WO 2003/051580 A1 6/2003

* cited by examiner

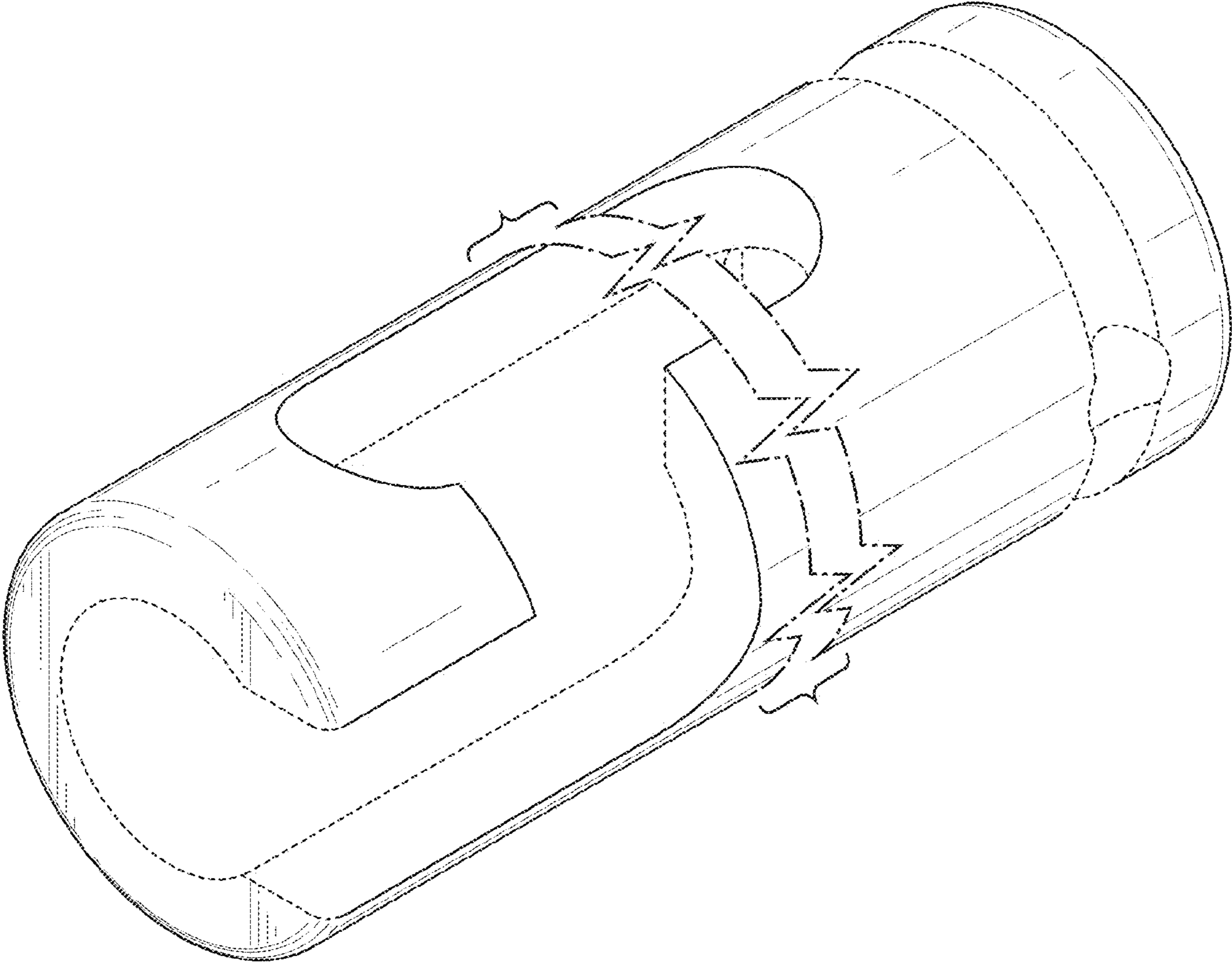


FIG. 1

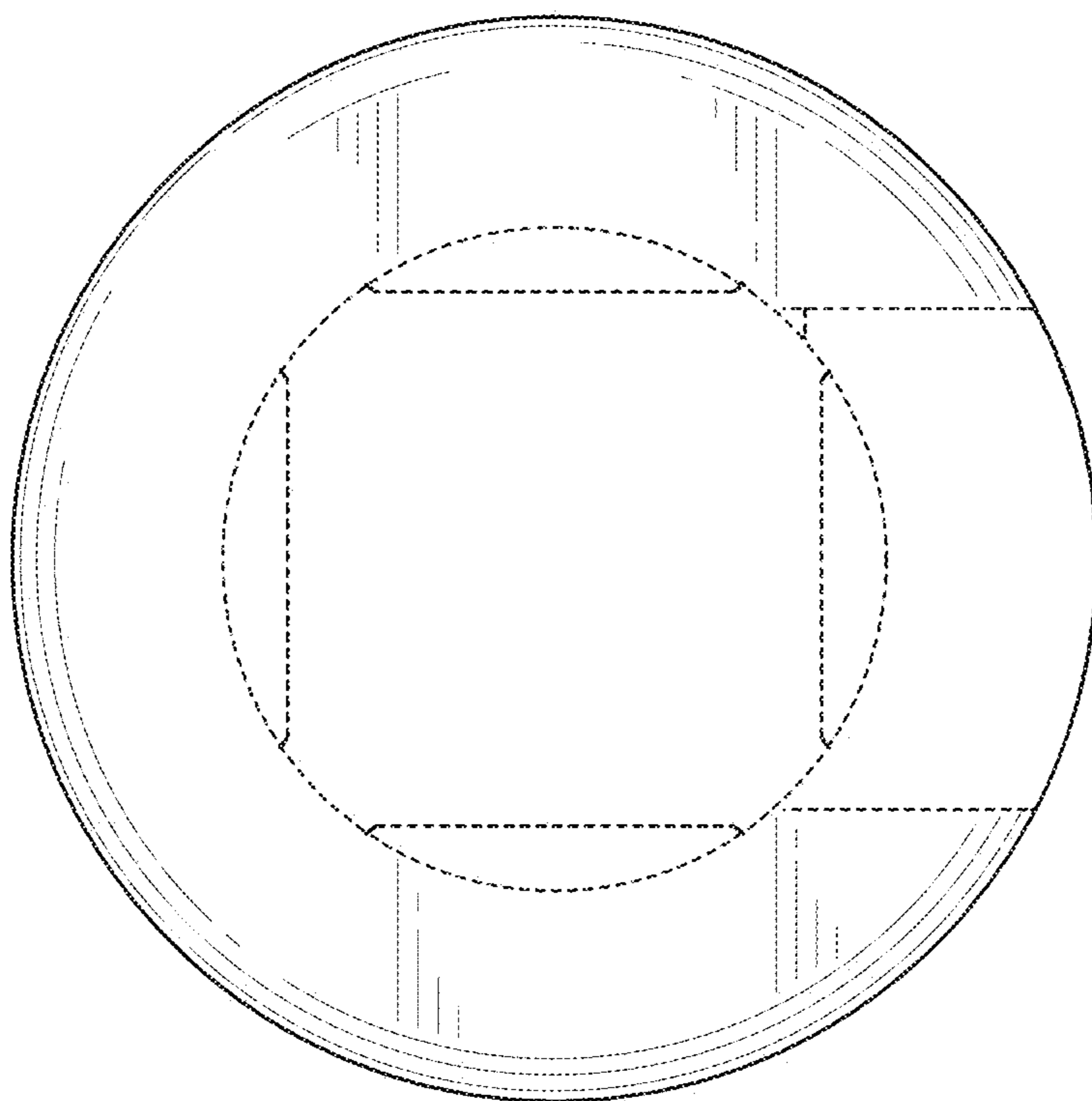


FIG. 2

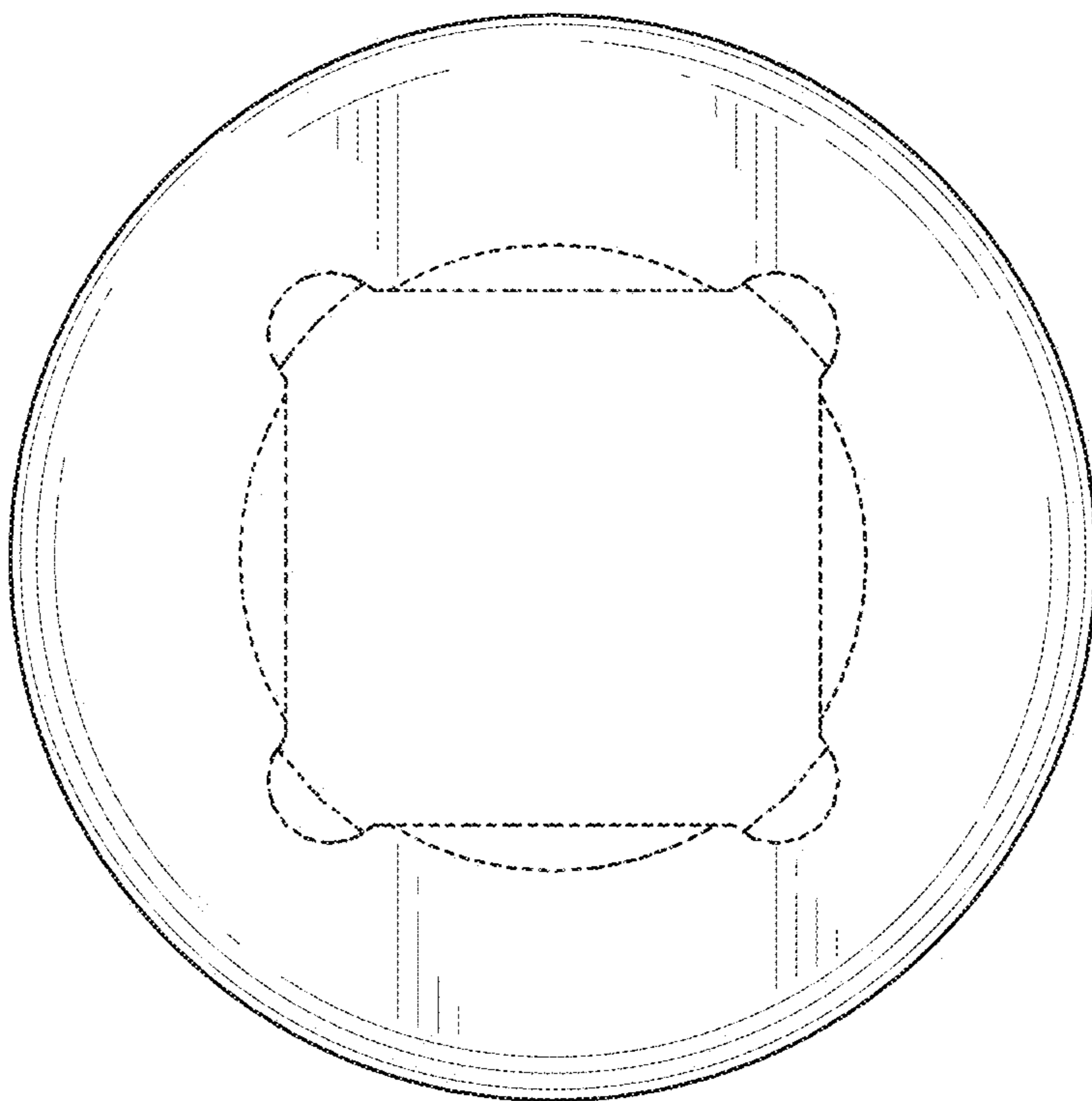


FIG. 3

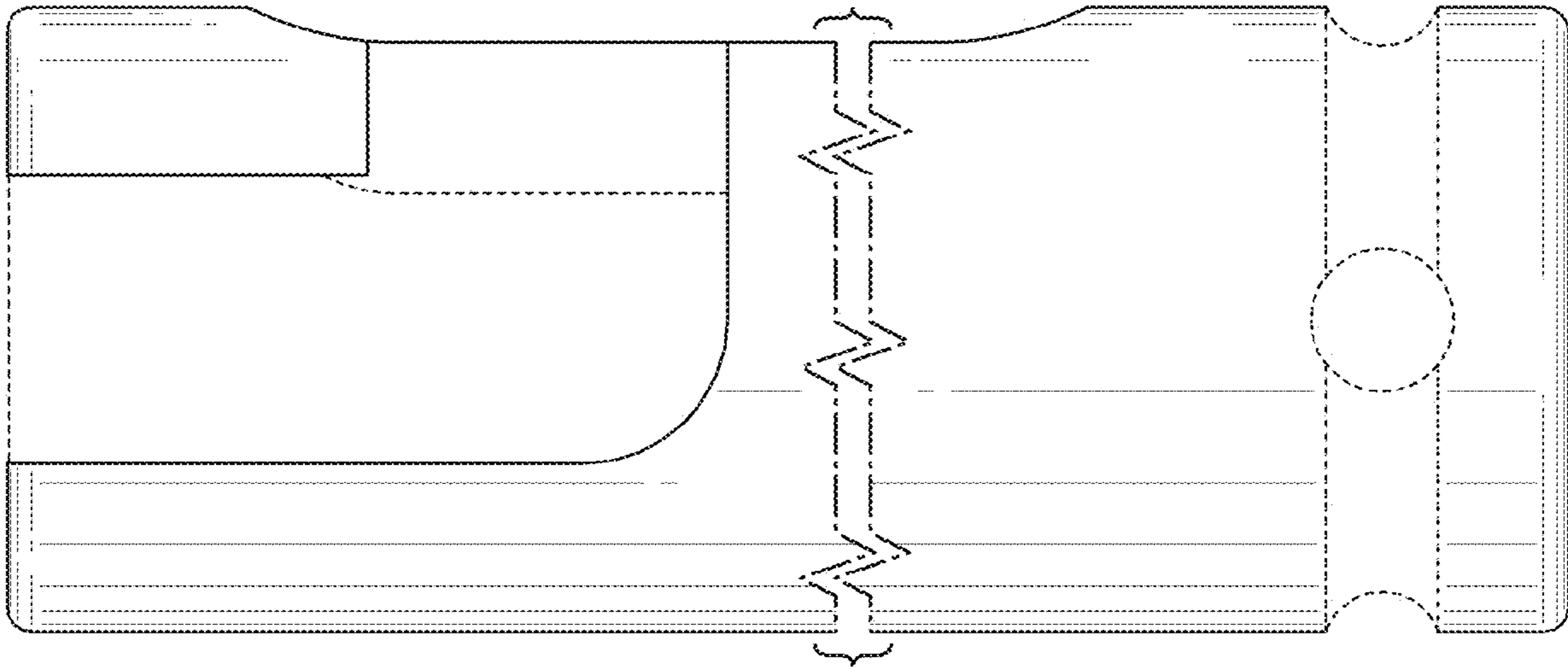


FIG. 4

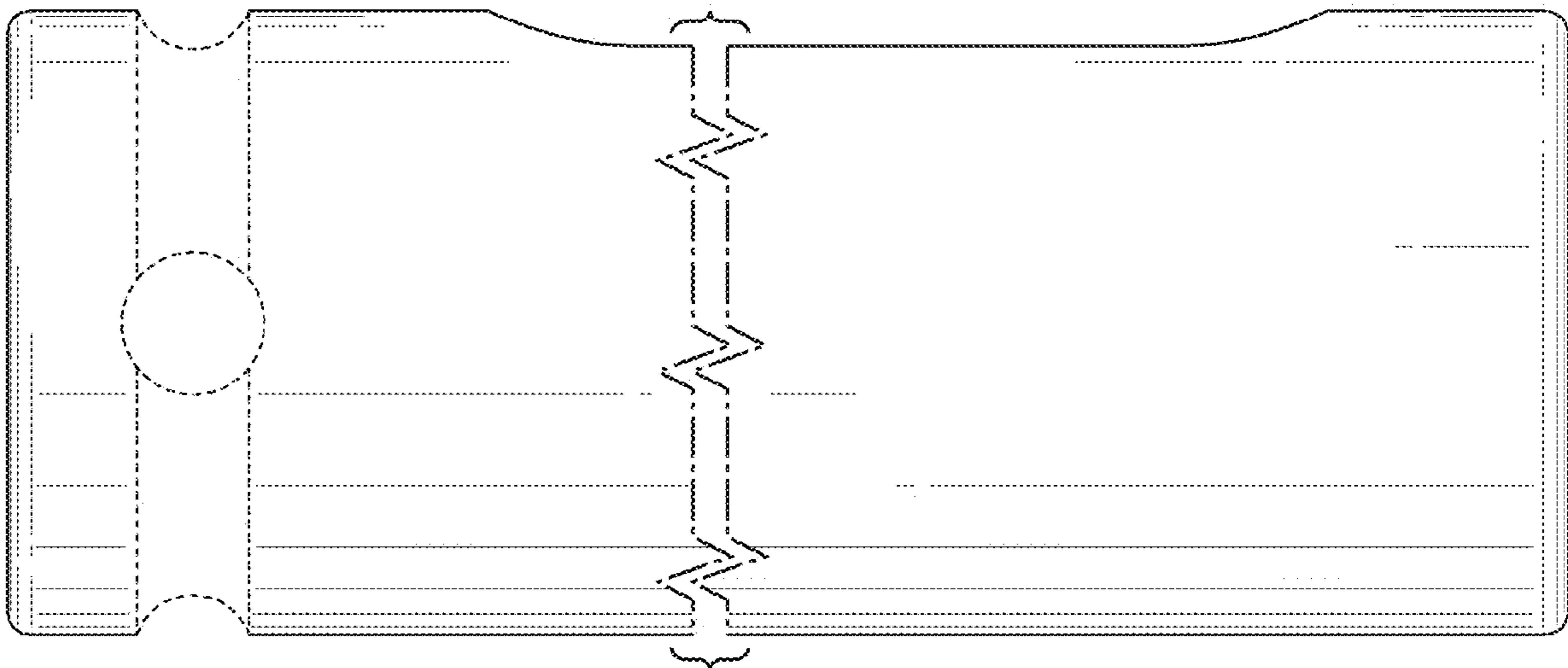


FIG. 5

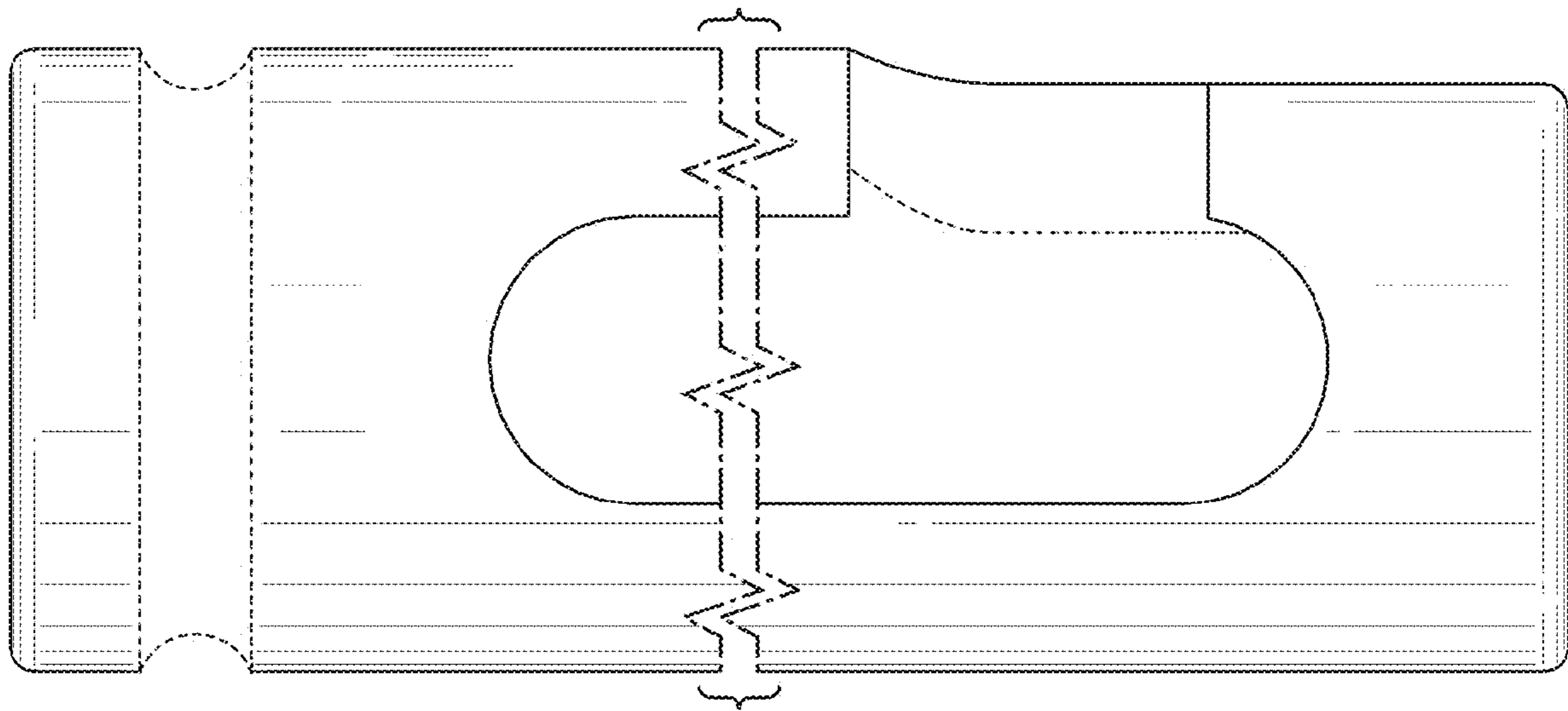


FIG. 6

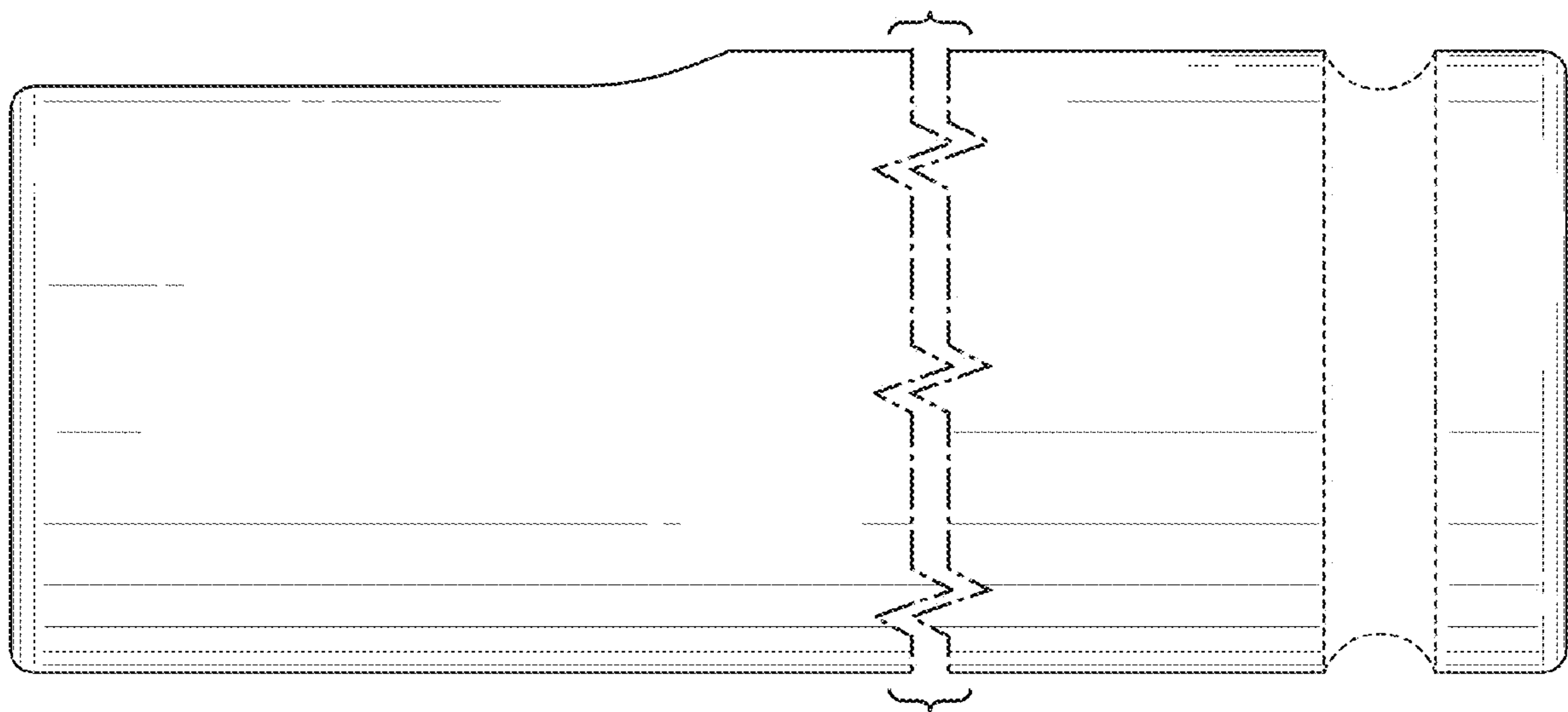


FIG. 7