



US00D964126S

(12) **United States Design Patent**  
**Chang**

(10) **Patent No.:** **US D964,126 S**

(45) **Date of Patent:** **\*\* Sep. 20, 2022**

(54) **HEX KEY TOOL**

(71) Applicant: **Wang-Lien Chang**, New Taipei (TW)

(72) Inventor: **Wang-Lien Chang**, New Taipei (TW)

(\*\*) Term: **15 Years**

(21) Appl. No.: **29/768,422**

(22) Filed: **Jan. 29, 2021**

(51) **LOC (13) Cl.** ..... **08-05**

(52) **U.S. Cl.**  
USPC ..... **D8/14; D8/84; D8/105**

(58) **Field of Classification Search**  
USPC ..... D8/14, 82, 83, 84, 85, 105, 107  
CPC ... B25B 15/008; B25B 23/0028; B25B 15/02;  
B25G 1/08; B25G 3/38; B25G 1/085;  
B25F 1/04  
See application file for complete search history.

(56) **References Cited**

**U.S. PATENT DOCUMENTS**

2,726,695	A *	12/1955	Malm	.....	B25F 1/04 81/440
3,186,009	A *	6/1965	Simmons	.....	B25F 1/04 7/168
4,542,667	A *	9/1985	Jang	.....	B25G 1/005 81/177.4
4,815,346	A *	3/1989	Littlehorn	.....	B25B 15/00 81/439
6,332,381	B1 *	12/2001	Vasudeva	.....	B25B 15/008 81/177.1
6,343,532	B1 *	2/2002	Lucy	.....	B25B 13/005 81/177.5
6,397,709	B1 *	6/2002	Wall	.....	B25B 15/00 81/177.4
7,216,569	B2 *	5/2007	Abdelgany	.....	B25G 1/005 81/177.5

D643,273	S *	8/2011	Johnson	.....	D8/82
8,359,954	B2 *	1/2013	Johnson	.....	B25B 13/06 81/439
D687,696	S *	8/2013	Nieto	.....	D8/84
8,925,429	B2 *	1/2015	Johnson	.....	B25G 1/066 7/118
9,193,058	B2 *	11/2015	Gallegos	.....	B25G 1/063
10,618,158	B2 *	4/2020	Liu	.....	B25B 23/16
11,072,056	B2 *	7/2021	Tsai	.....	B25B 15/008
11,103,985	B2 *	8/2021	Tsai	.....	B25G 1/005
2014/0026724	A1 *	1/2014	Broadaway	.....	B25G 1/063 81/489
2016/0207189	A1 *	7/2016	Chen	.....	B25B 15/008
2020/0353604	A1 *	11/2020	Gallegos	.....	B25B 15/008

\* cited by examiner

*Primary Examiner* — Philip S Hyder  
(74) *Attorney, Agent, or Firm* — WPAT, PC

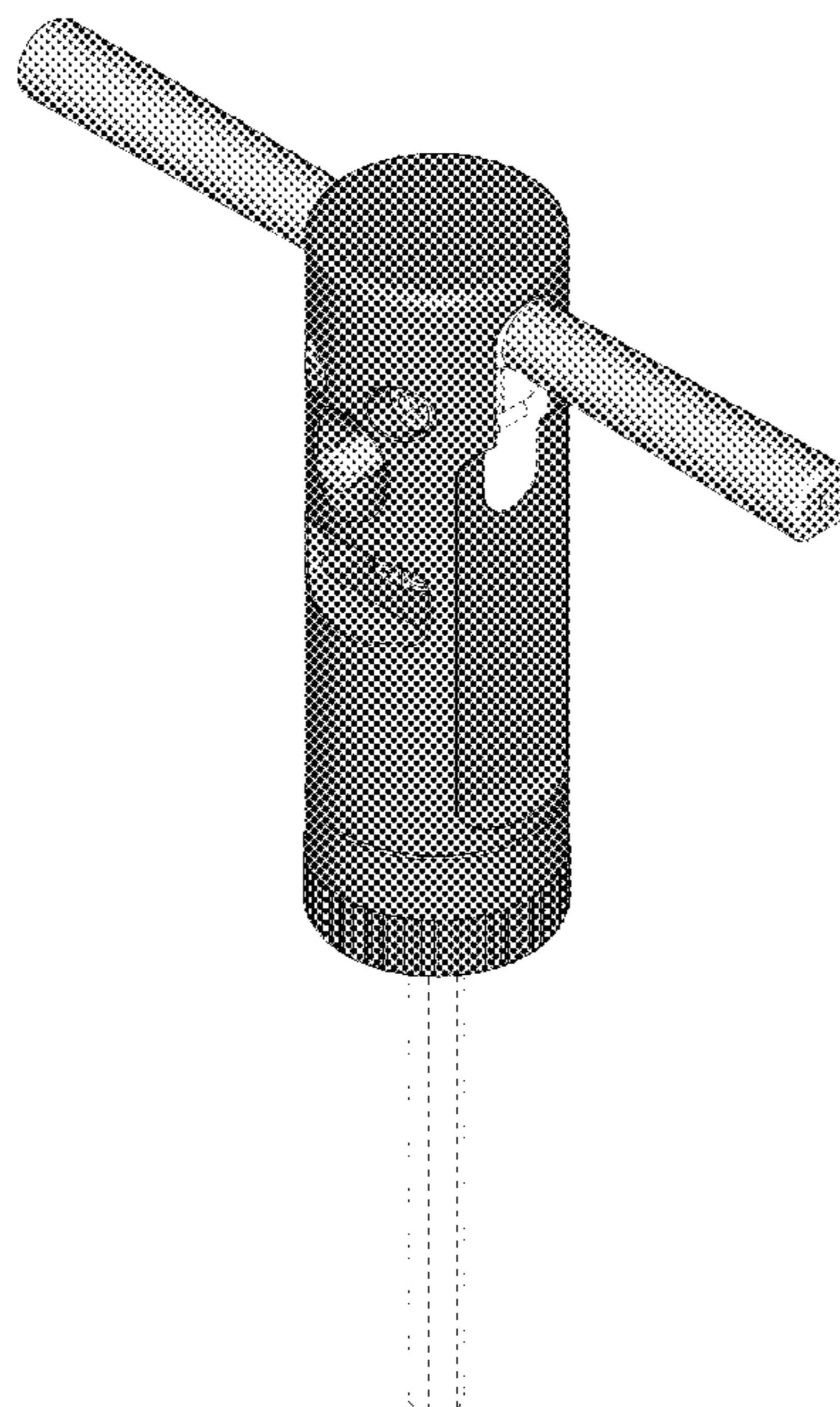
(57) **CLAIM**

The ornamental design for a hex key tool, as shown and described.

**DESCRIPTION**

FIG. 1 is a front perspective view of a hex key tool showing my new design;  
FIG. 2 is a rear perspective view thereof;  
FIG. 3 is a front elevation view thereof;  
FIG. 4 is a rear elevation view thereof;  
FIG. 5 is a left side elevation view thereof;  
FIG. 6 is a right side elevation view thereof;  
FIG. 7 is a top plan view thereof;  
FIG. 8 is a bottom plan view thereof; and,  
FIG. 9 is a perspective view thereof, wherein the components in an alternate position.  
The broken lines shown in the drawings depict portions of the article that form no part of the claimed design.

**1 Claim, 9 Drawing Sheets**



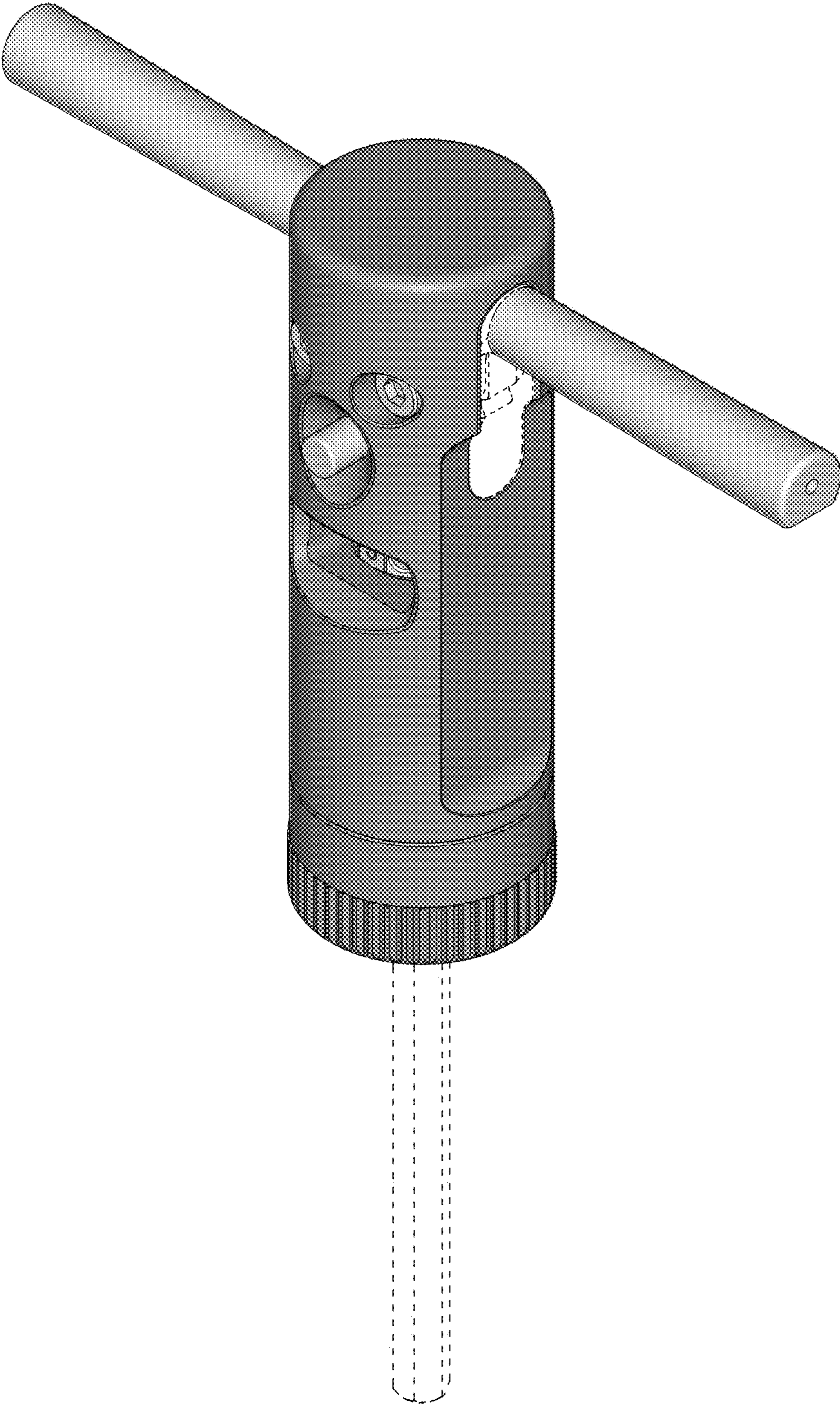


FIG.1

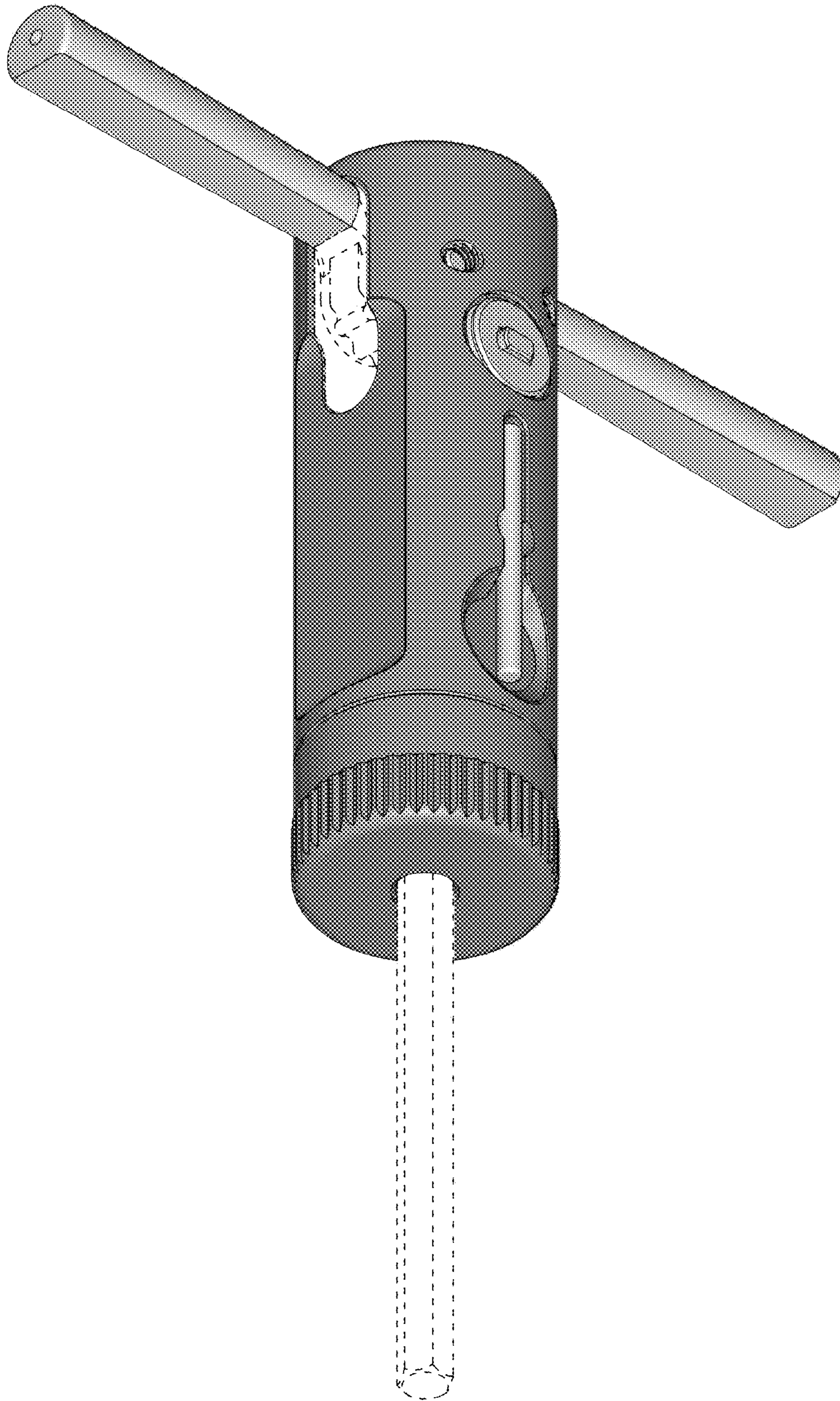


FIG.2

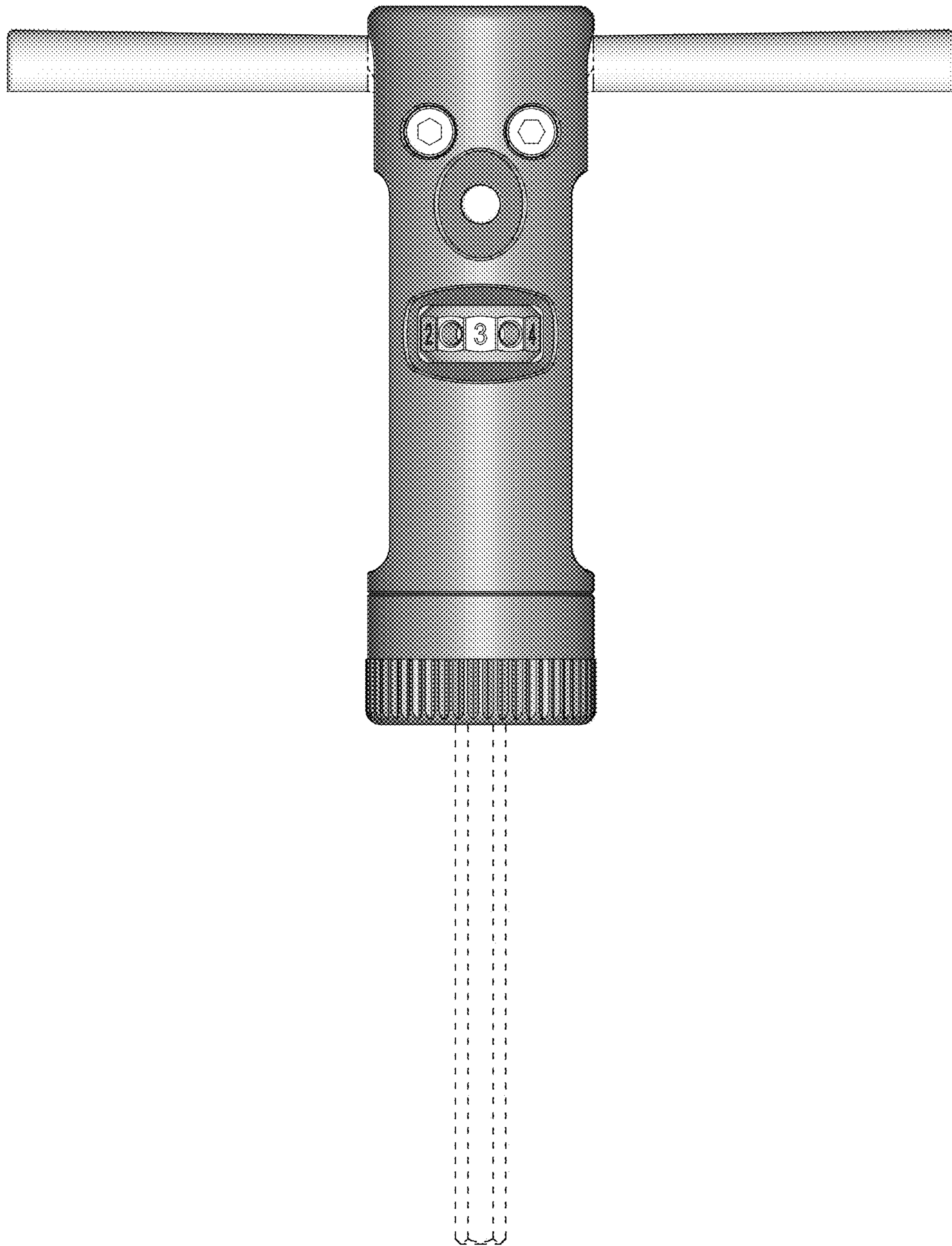


FIG.3

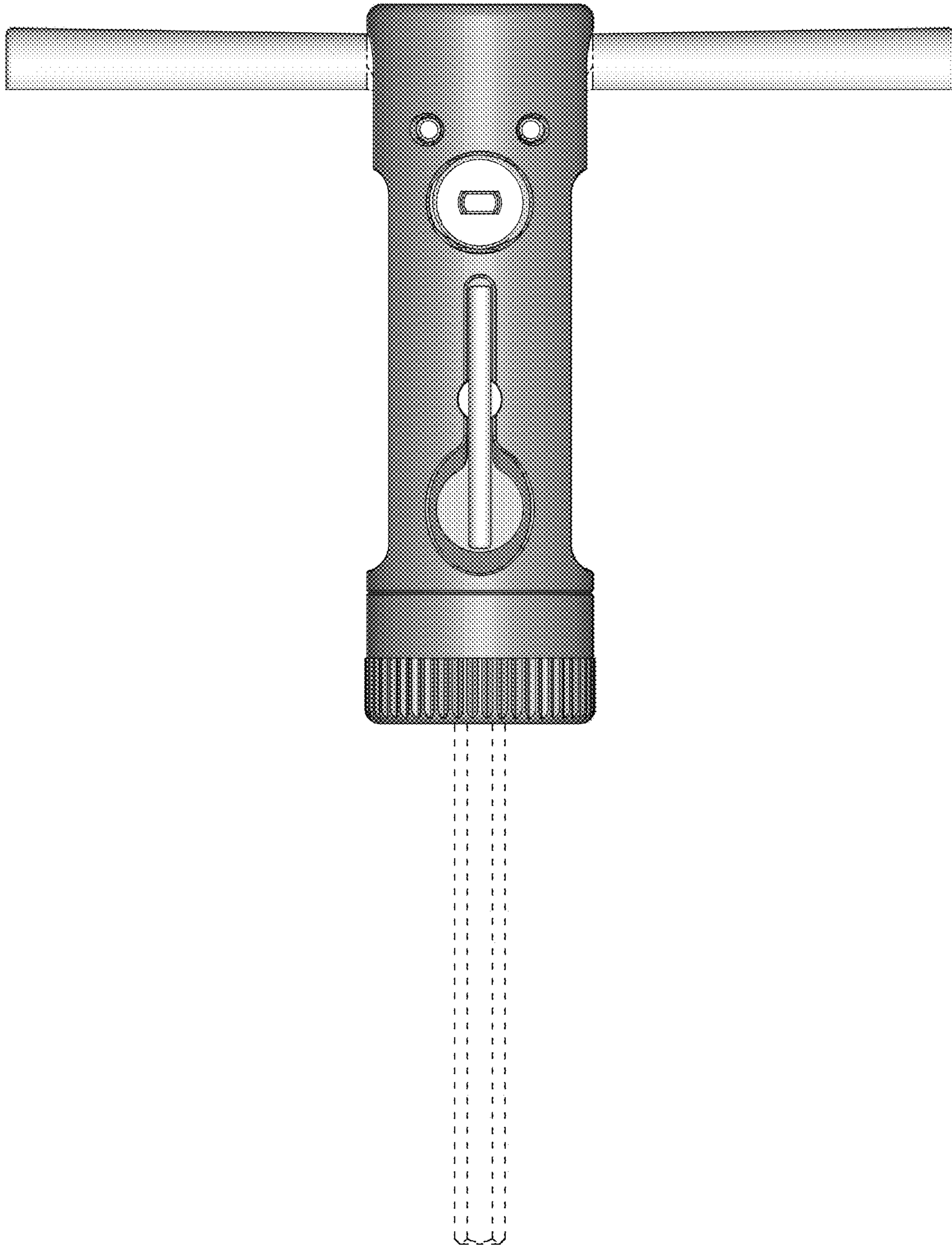


FIG.4

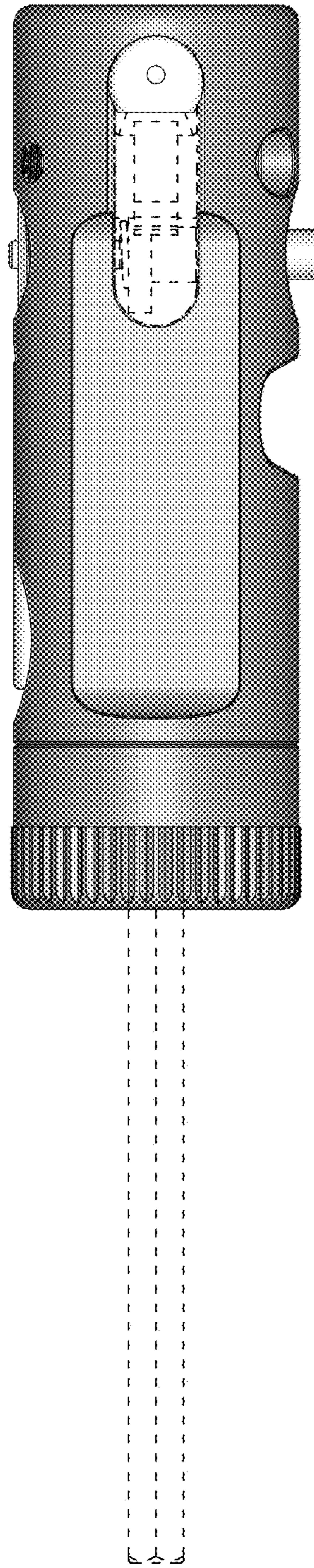


FIG.5

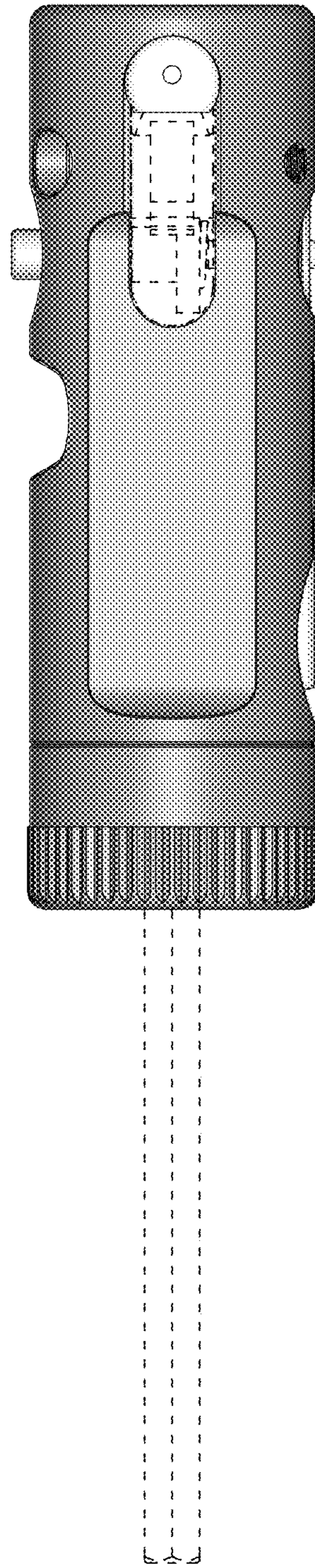


FIG.6

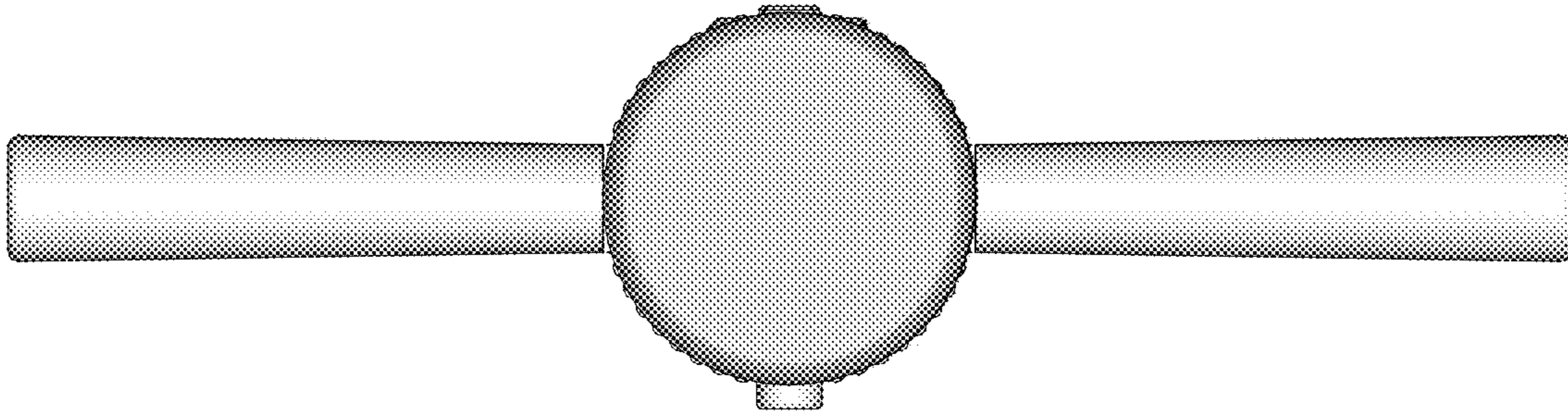


FIG.7



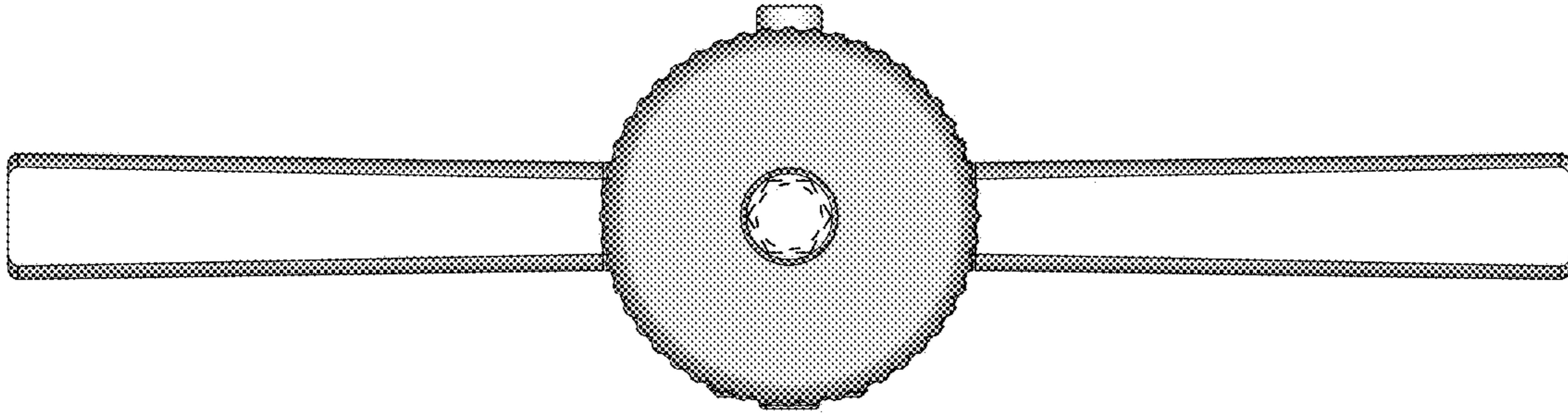


FIG.8

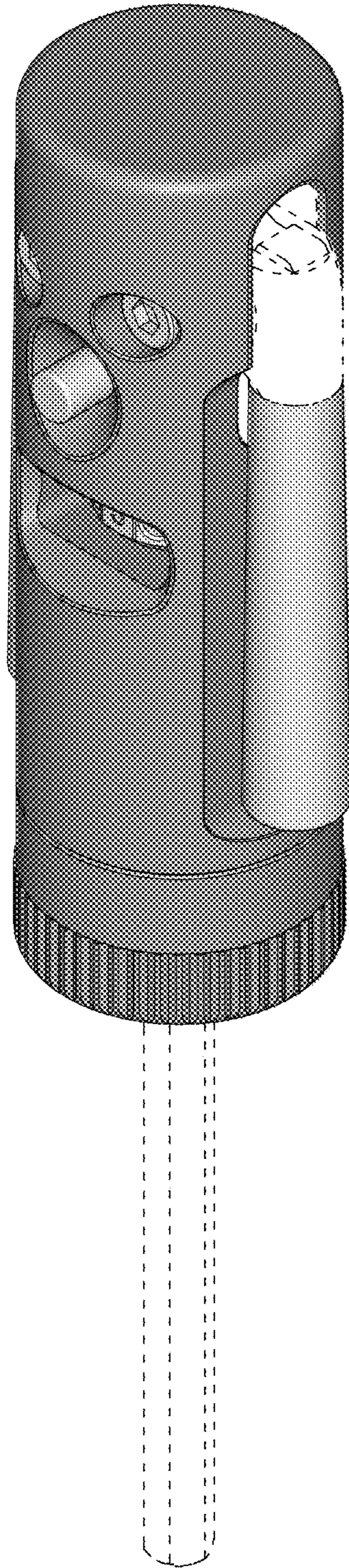


FIG.9