



US00D964125S

(12) **United States Design Patent** (10) **Patent No.:** **US D964,125 S**
Peng (45) **Date of Patent:** **** Sep. 20, 2022**

(54) **LUNCH BAG**
(71) Applicant: **Guangzhou Fanxing Diandian Technology Co., Ltd.**, Guangzhou (CN)
(72) Inventor: **Fang Peng**, Guangzhou (CN)
(73) Assignee: **Guangzhou Fanxing Diandian Technology Co., Ltd.**, Guangzhou (CN)

D371,052 S * 6/1996 Melk D7/607
D387,626 S * 12/1997 Melk D7/605
7,334,684 B1 * 2/2008 Fontanilla A45C 13/02
190/110
D574,667 S * 8/2008 Grabijas, III D7/607
D575,059 S * 8/2008 Cappiello D3/289
D783,371 S 4/2017 Burton et al.

(Continued)

(**) Term: **15 Years**

(21) Appl. No.: **29/816,666**

(22) Filed: **Nov. 23, 2021**

(51) **LOC (13) Cl.** **07-99**

(52) **U.S. Cl.**
USPC **D7/709**

(58) **Field of Classification Search**
USPC D7/605-607, 709, 710; D3/283, 287,
D3/289, 233, 267, 268, 273, 276, 315,
D3/318

CPC F25D 3/08; F25D 3/02; F25D 3/04; F25D
3/06; F25D 3/14; F25D 3/107; F25D
2331/801; F25D 2331/804; B65D 81/38;
B65D 81/3813; B65D 81/3816; B65D
81/3818; B65D 81/382; B65D 81/3823;
B65D 81/3825; B65D 81/3827; B65D
81/383; B65D 81/3832; B65D 81/3834;
B65D 81/3848; B65D 81/3851; B65D
81/3853; B65D 81/3855; B65D 81/3858;
B65D 81/386; B65D 81/3862; B65D
81/3874; A45C 11/20; A45C 3/00; A45C
3/08; A45C 3/06; A45C 3/10; A45C 1/00;
A45C 13/008; A45C 5/00; A45C
2003/008; A45C 2003/007; A45F 3/00

See application file for complete search history.

(56) **References Cited**

U.S. PATENT DOCUMENTS

400,752 A * 4/1889 Crossman A45C 11/20
312/348.3
D266,034 S * 9/1982 Zoland D3/274

OTHER PUBLICATIONS

Amazon.com, OPUX, Insulated Dual Compartment Lunch Bag,
ASIN: B07HJJ7NH, 14 pages, date first available Sep. 20, 2018.
(Year: 2018).*

(Continued)

Primary Examiner — Terry A Wallace
(74) *Attorney, Agent, or Firm* — True Shepherd, LLC;
Andrew Cheng

(57) **CLAIM**

The ornamental design for a lunch bag, as shown and described.

DESCRIPTION

FIG. 1 is a front, right and top perspective view of a lunch bag, showing my design.
FIG. 2 is a rear, left and right perspective view thereof.
FIG. 3 is a front elevation view thereof.
FIG. 4 is a rear elevation view thereof.
FIG. 5 is a left side elevation view thereof.
FIG. 6 is a right side elevation view thereof.
FIG. 7 is a top plan view thereof; and,
FIG. 8 is a bottom plan view thereof.
The broken lines shown in the drawings are included for the purpose of illustrating portions of the lunch bag that form no part of the claimed design.

1 Claim, 8 Drawing Sheets



(56)

References Cited

U.S. PATENT DOCUMENTS

D883,047 S 5/2020 Kou
D939,906 S * 1/2022 Barnes D7/709
2007/0237432 A1* 10/2007 Mogil A45C 7/0077
383/38

OTHER PUBLICATIONS

Amazon.com, Dynasco Store, Larga Lunch Bag Reusable Insulated Lunch Box, ASIN: B09J15DYN4, 15 pages, date first available Nov. 1, 2020. (Year: 2020).*

* cited by examiner

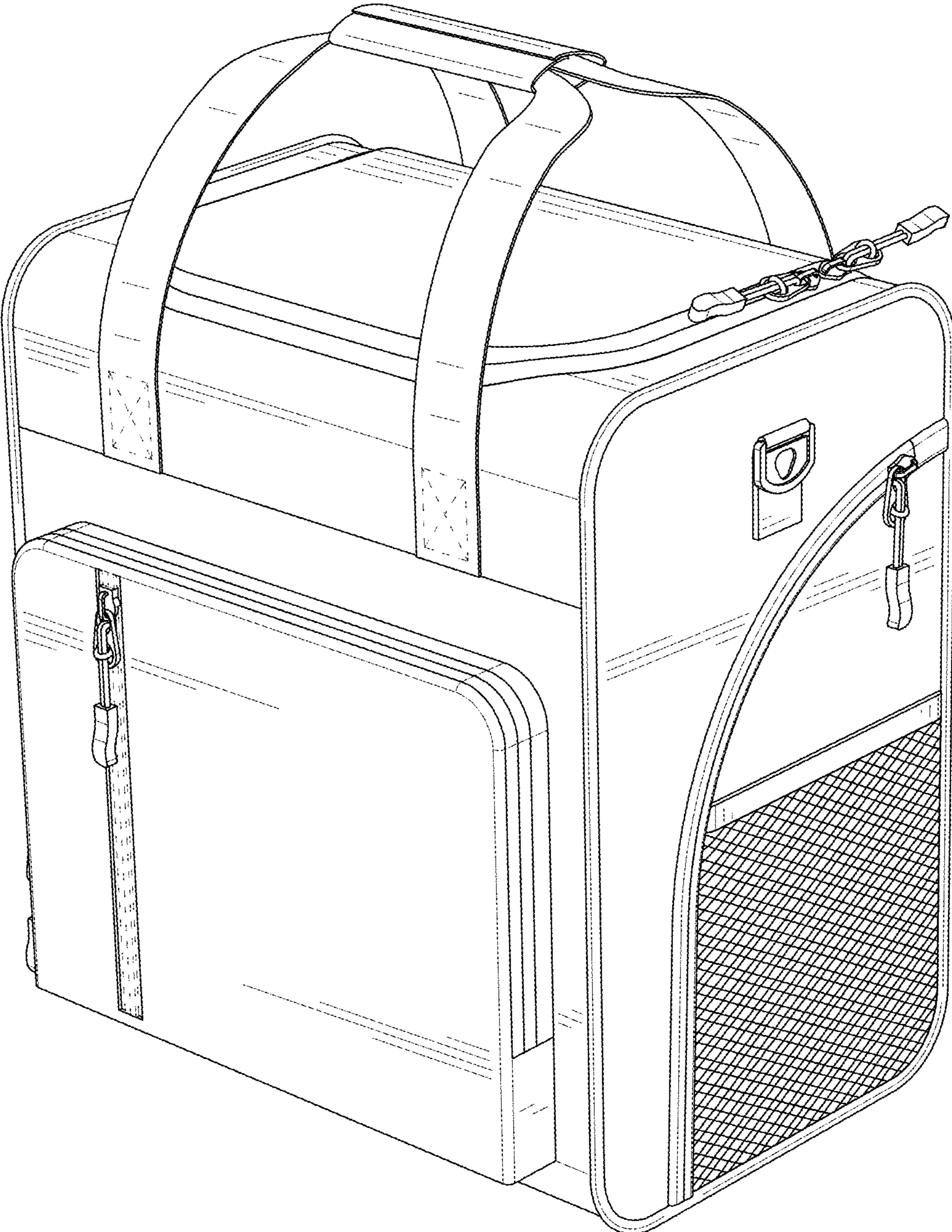


FIG. 1

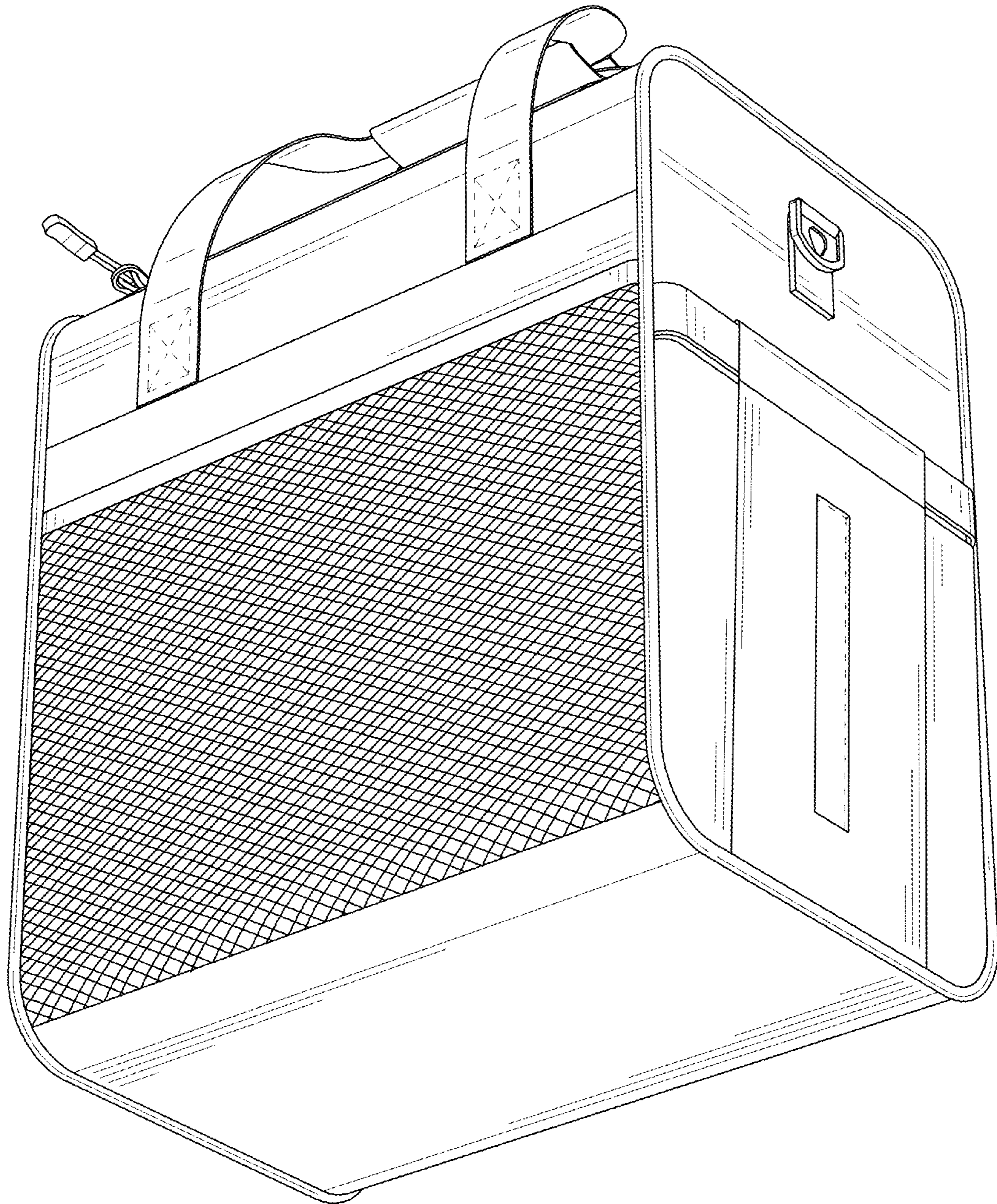


FIG. 2

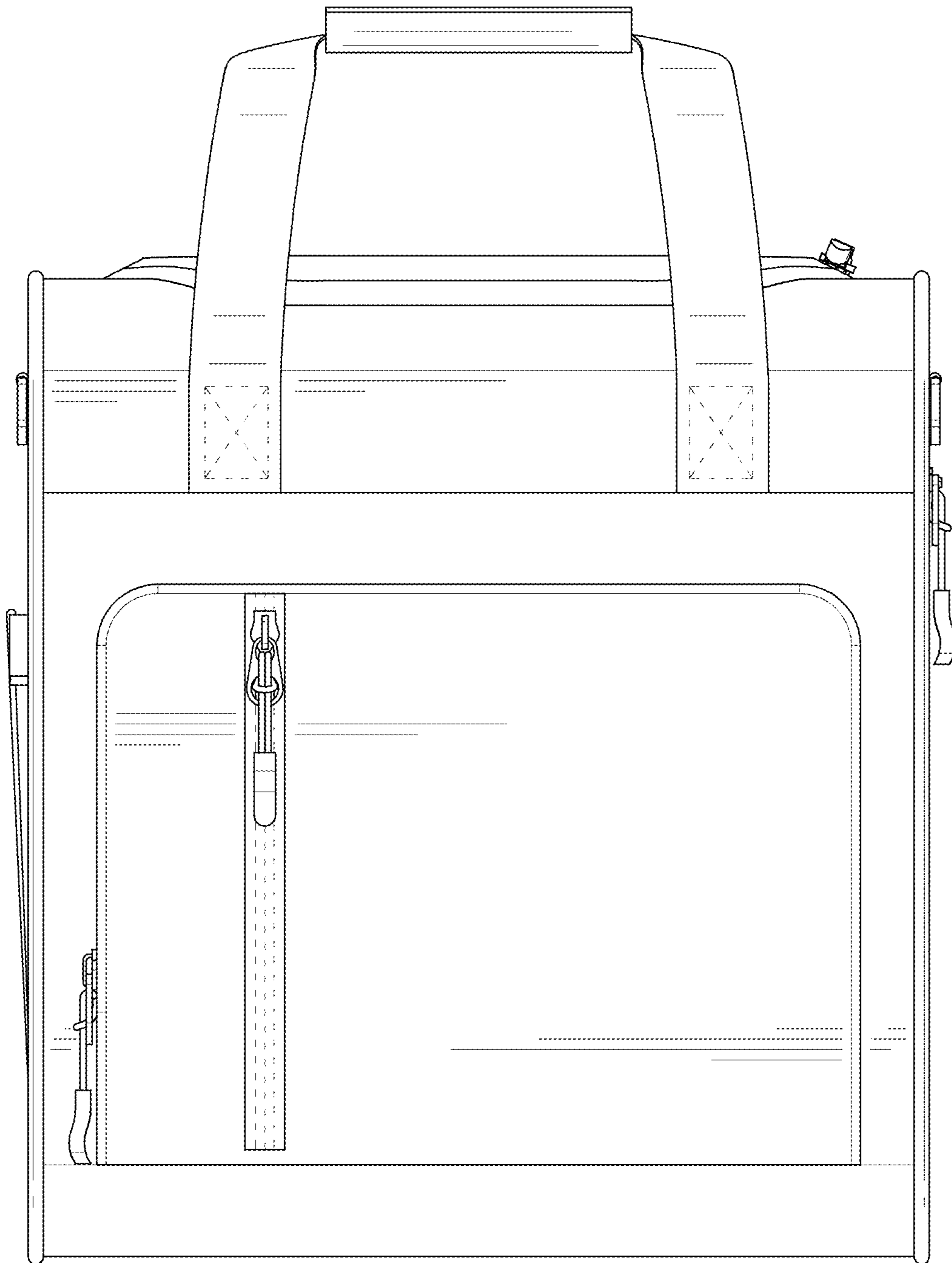


FIG. 3

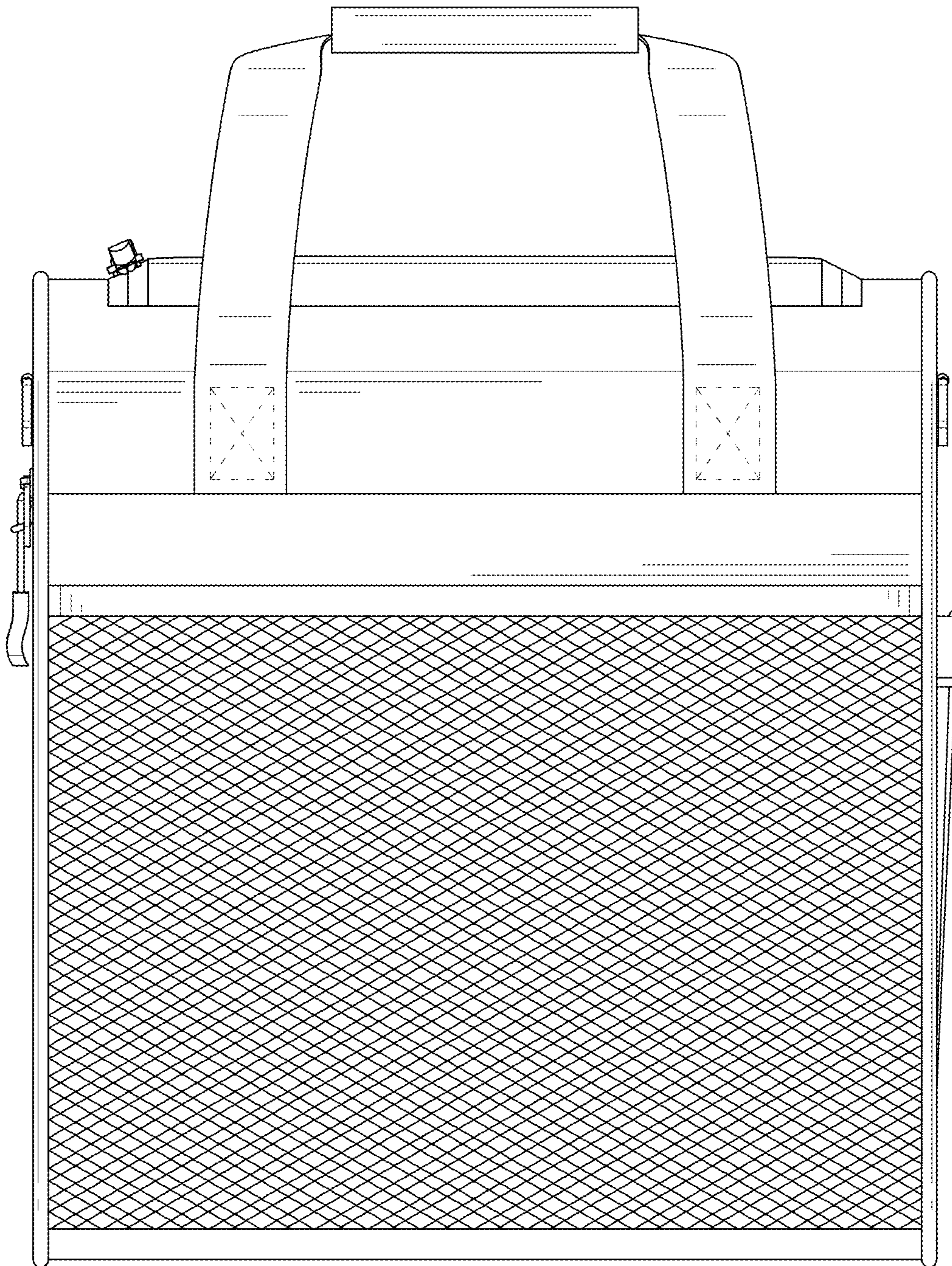


FIG. 4

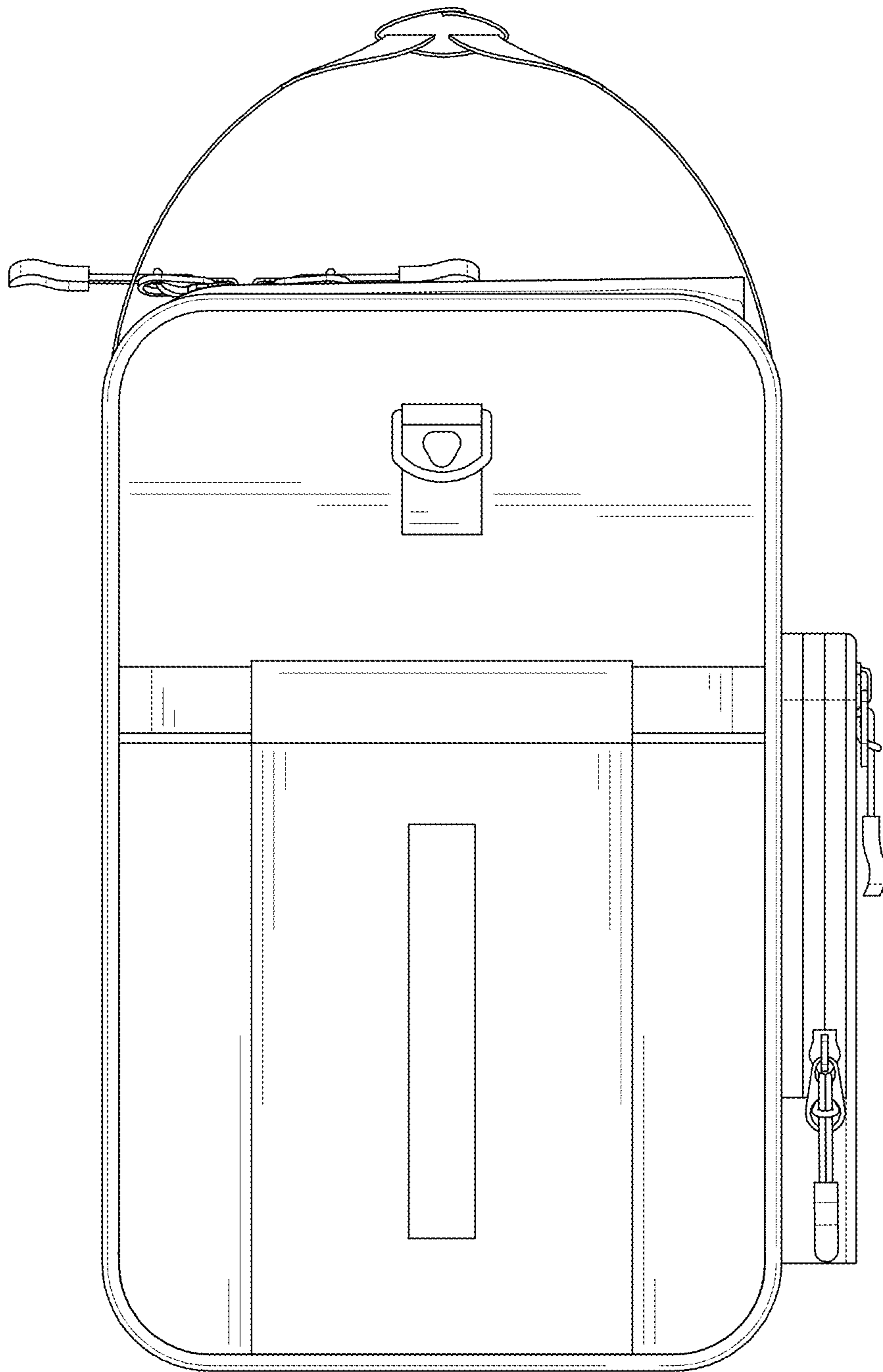


FIG. 5

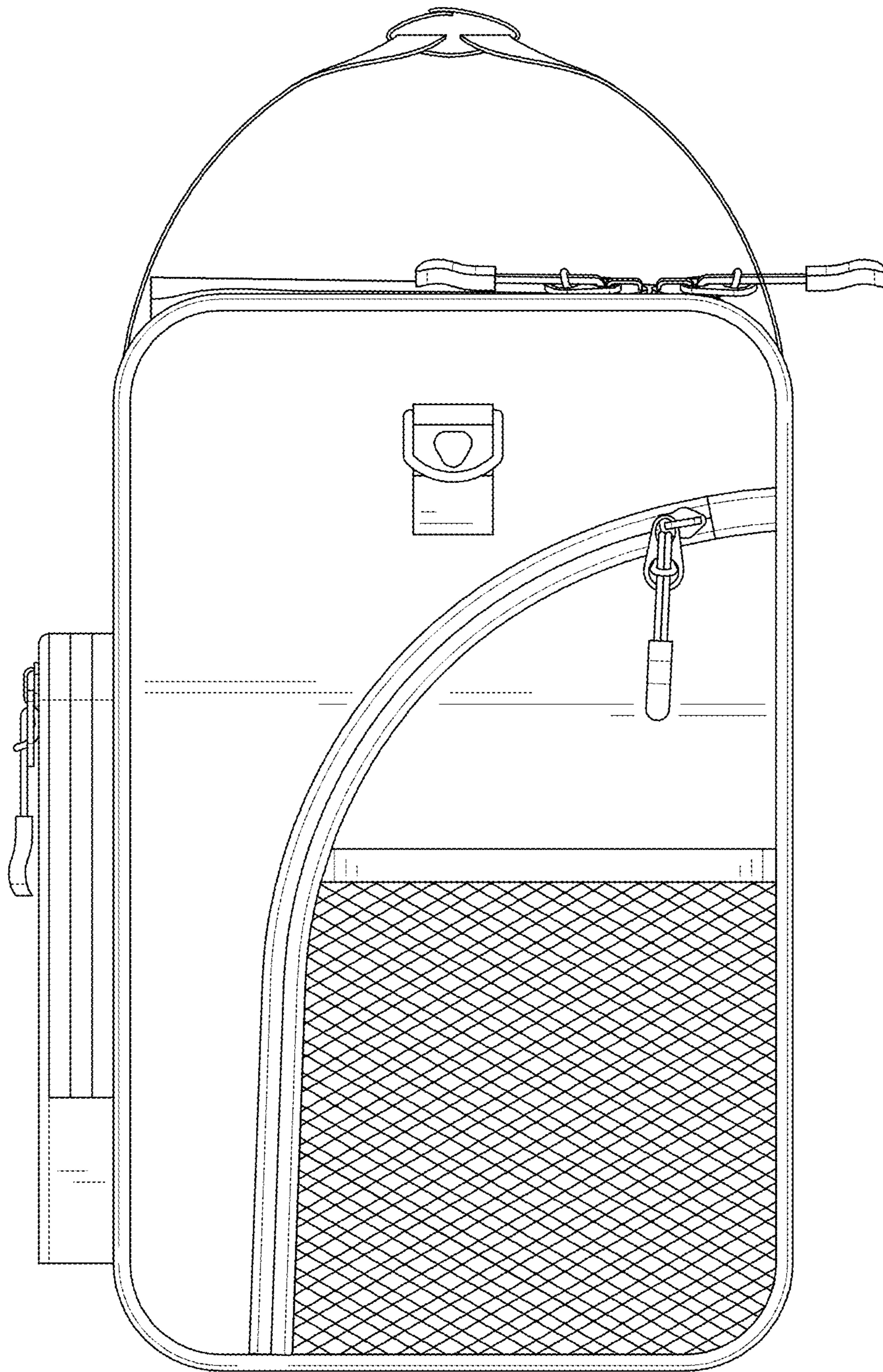


FIG. 6

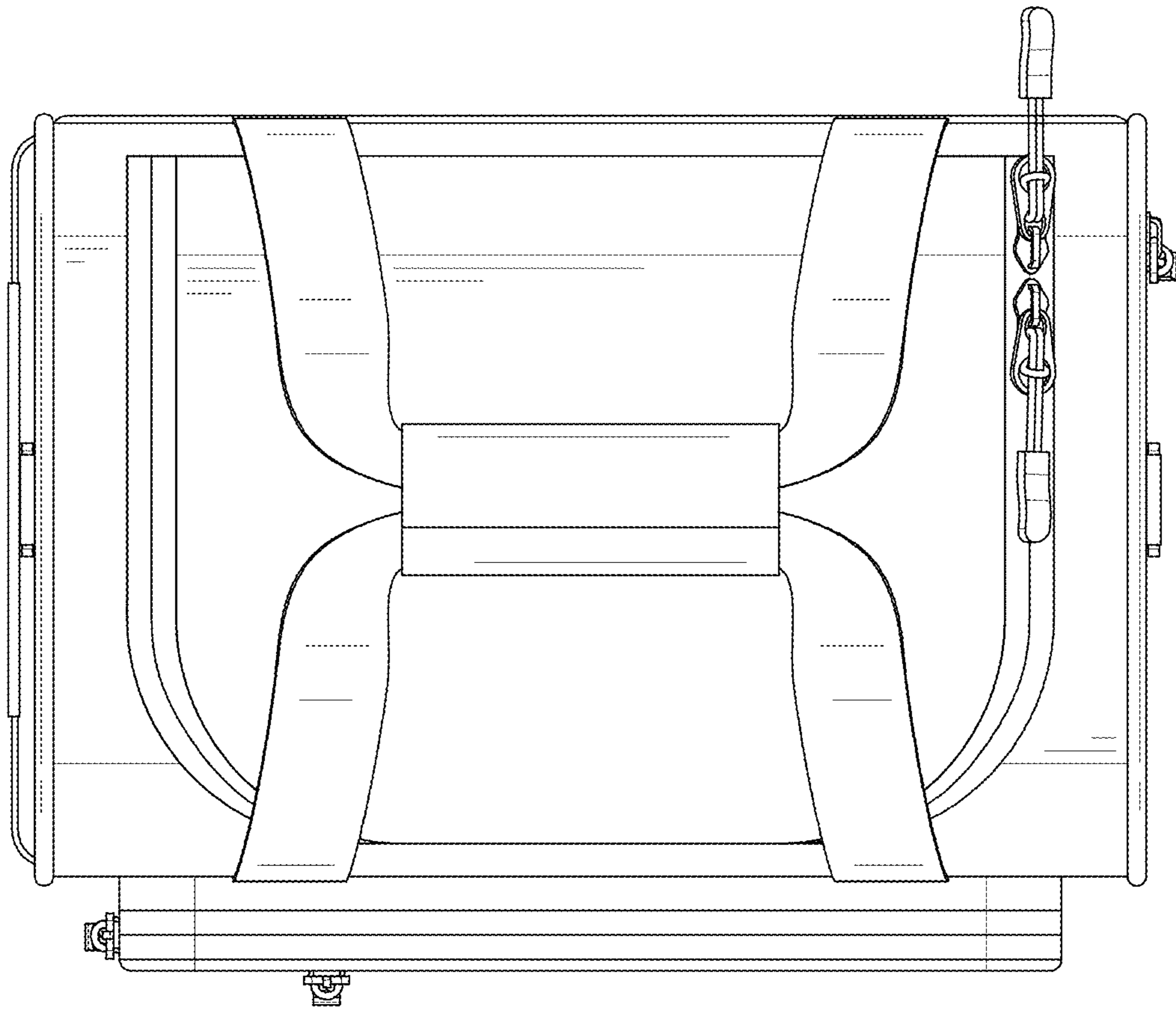


FIG. 7

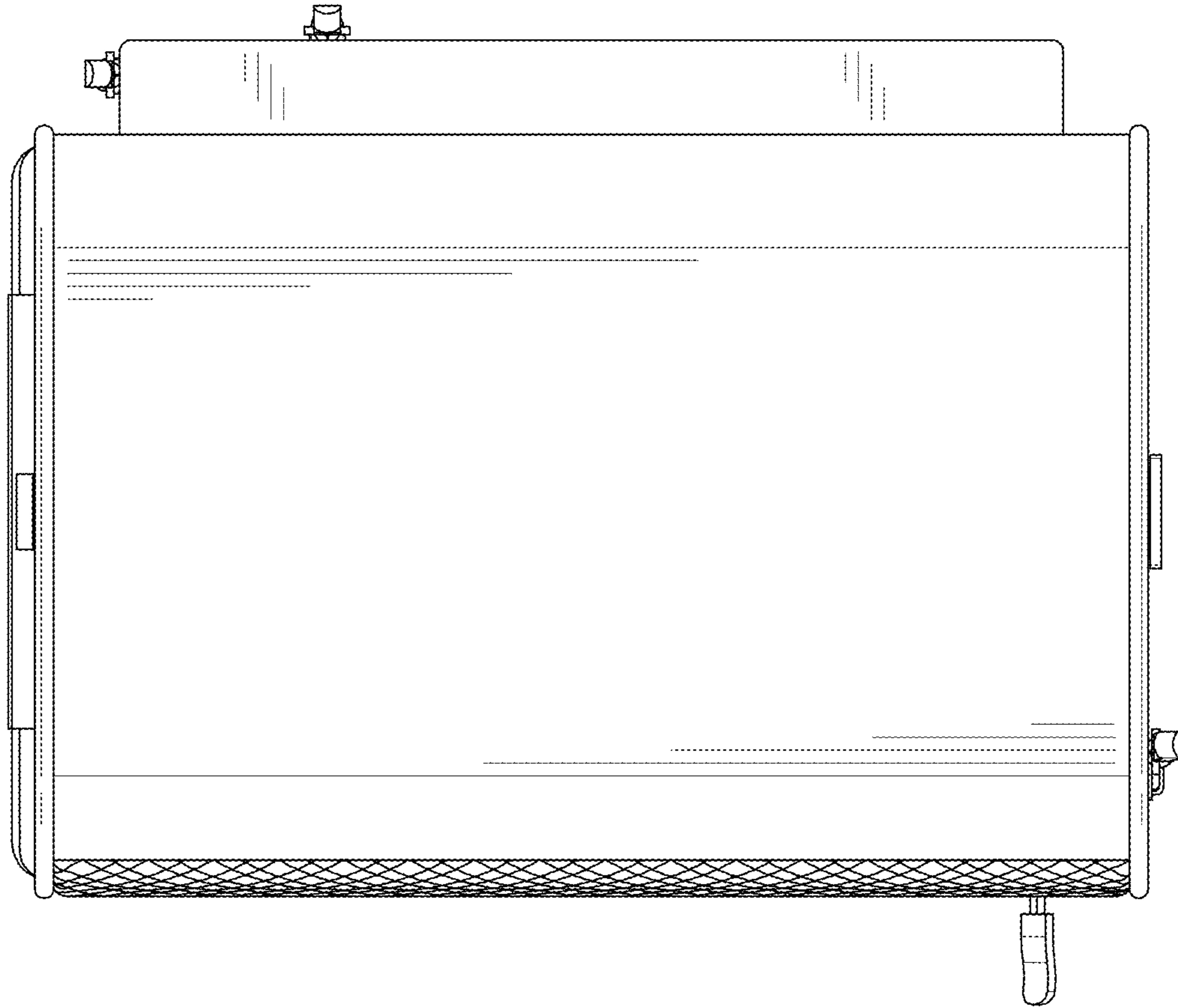


FIG. 8