

US00D964124S

(12) **United States Design Patent**  
**Peng**

(10) **Patent No.:** **US D964,124 S**  
(45) **Date of Patent:** **\*\* Sep. 20, 2022**

- (54) **LUNCH BAG**
- (71) Applicant: **Guangzhou Fanxing Diandian Technology Co., Ltd.,** Guangzhou (CN)
- (72) Inventor: **Fang Peng,** Guangzhou (CN)
- (73) Assignee: **Guangzhou Fanxing Diandian Technology Co., Ltd.,** Guangzhou (CN)

- D387,626 S \* 12/1997 Melk ..... D7/605
- D436,442 S \* 1/2001 Mogil ..... D3/283
- 7,334,684 B1 \* 2/2008 Fontanilla ..... A45C 13/02  
190/110
- D574,667 S \* 8/2008 Grabijas, III ..... D7/607
- D575,059 S \* 8/2008 Cappiello ..... D3/289
- D783,371 S 4/2017 Burton et al.
- D883,047 S 5/2020 Kou

(Continued)

(\*\*) Term: **15 Years**

(21) Appl. No.: **29/816,665**

(22) Filed: **Nov. 23, 2021**

(51) **LOC (13) Cl.** ..... **07-99**

(52) **U.S. Cl.**  
USPC ..... **D7/709**

(58) **Field of Classification Search**  
USPC ..... D7/605-607, 709, 710; D3/283, 287,  
D3/289, 233, 267, 268, 273, 276, 315,  
D3/318

CPC ..... F25D 3/08; F25D 3/02; F25D 3/04; F25D  
3/06; F25D 3/14; F25D 3/107; F25D  
2331/801; F25D 2331/804; B65D 81/38;  
B65D 81/3813; B65D 81/3816; B65D  
81/3818; B65D 81/382; B65D 81/3823;  
B65D 81/3825; B65D 81/3827; B65D  
81/383; B65D 81/3832; B65D 81/3834;  
B65D 81/3848; B65D 81/3851; B65D  
81/3853; B65D 81/3855; B65D 81/3858;  
B65D 81/386; B65D 81/3862; B65D  
81/3874; A45C 11/20; A45C 3/00; A45C  
3/08; A45C 3/06; A45C 3/10; A45C  
2003/008; A45C 2003/007; A45C 1/00;  
A45C 13/008; A45C 5/00; A45F 3/00

See application file for complete search history.

(56) **References Cited**

**U.S. PATENT DOCUMENTS**

- D266,034 S \* 9/1982 Zoland ..... D3/274
- D371,052 S \* 6/1996 Melk ..... D7/607

**OTHER PUBLICATIONS**

Amazon.com, OPUX Insulated Dual Compartment Lunch Bag, ASIN: B07HJJ7NH, 14 pages, date first available Sep. 20, 2018 (Year: 2018).\*

(Continued)

*Primary Examiner* — Terry A Wallace

(74) *Attorney, Agent, or Firm* — True Shepherd, LLC;  
Andrew Cheng

(57) **CLAIM**

The ornamental design for a lunch bag, as shown and described.

**DESCRIPTION**

FIG. 1 is a rear, left and right perspective view of a lunch bag, showing my design.

FIG. 2 is a front, right and top perspective view thereof.

FIG. 3 is a front elevation view thereof.

FIG. 4 is a rear elevation view thereof.

FIG. 5 is a right side elevation view thereof.

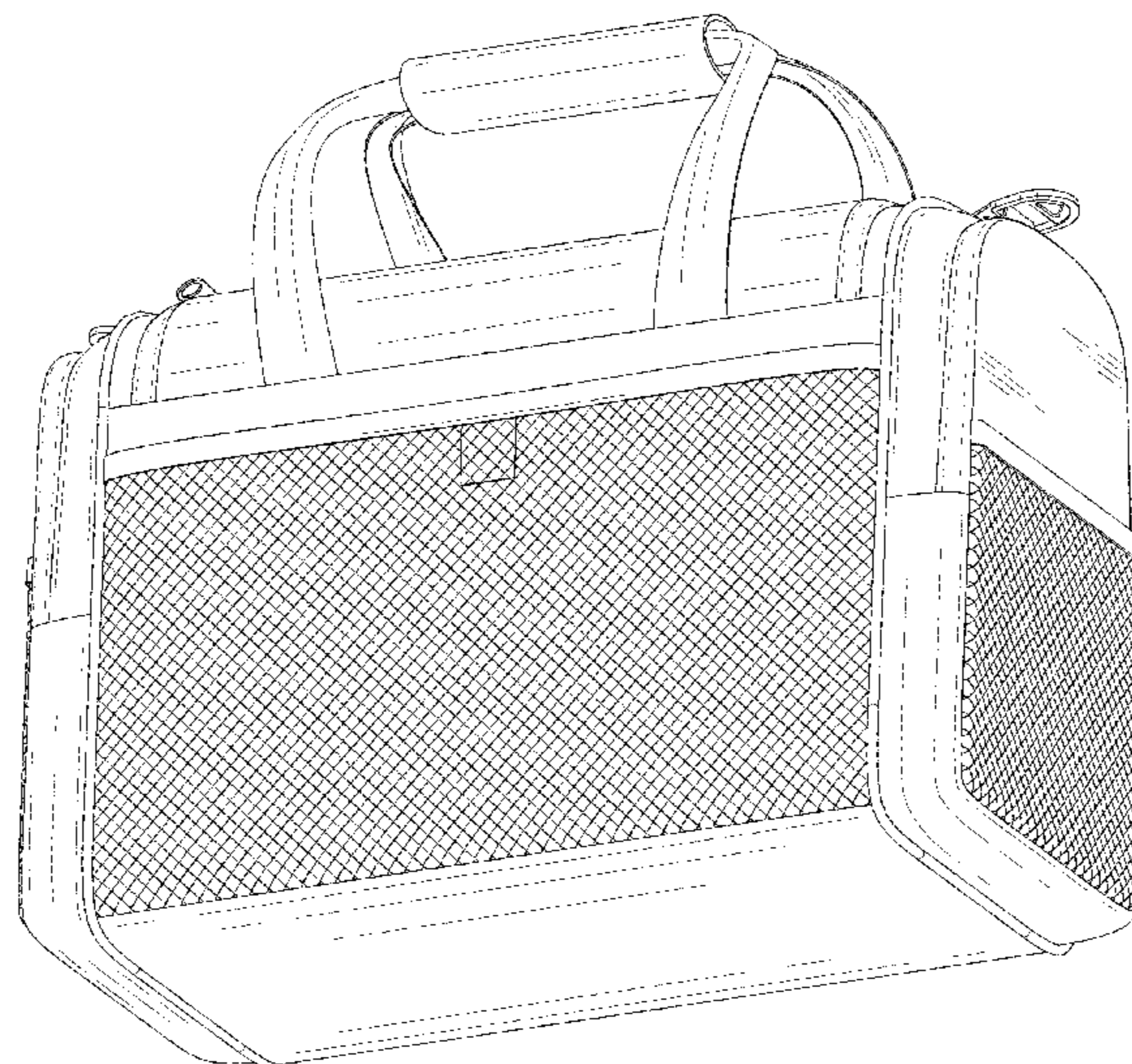
FIG. 6 is a left side elevation view thereof.

FIG. 7 is a bottom plan view thereof; and,

FIG. 8 is a top plan view thereof.

The broken lines shown in the drawings are included for the purpose of illustrating portions of the lunch bag that form no part of the claimed design.

**1 Claim, 8 Drawing Sheets**



(56)

**References Cited**

U.S. PATENT DOCUMENTS

D939,906 S \* 1/2022 Barnes ..... D7/709  
2007/0237432 A1 \* 10/2007 Mogil ..... A45C 7/0077  
383/38

OTHER PUBLICATIONS

Amazon.com, Dynasco Store, Largo lunch Bag Reusable Insulated Lunch Box, ASIN: B09J15D&N4, 15 pages, date first available Nov. 1, 2020 (Year: 2020).\*

\* cited by examiner



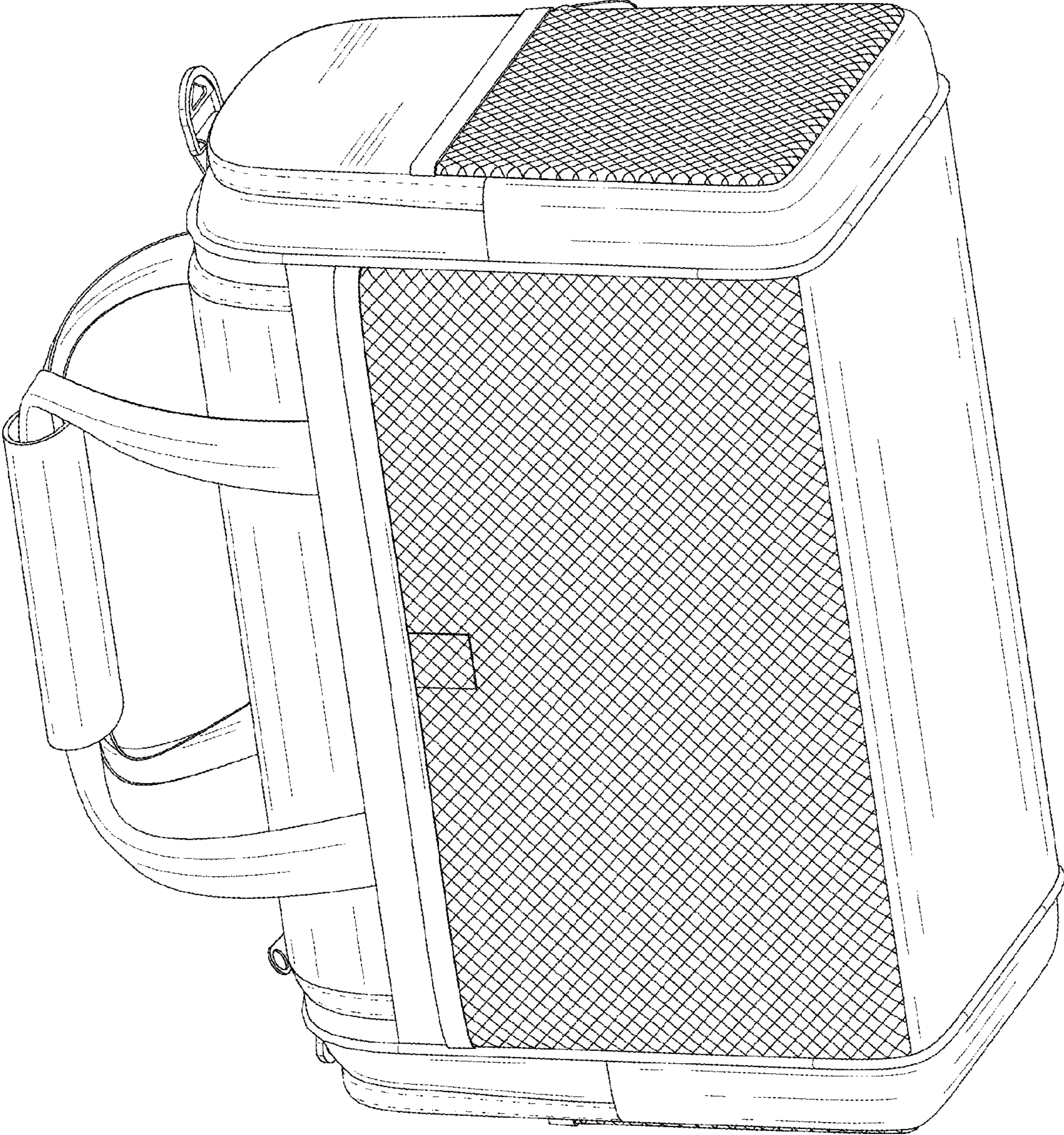


FIG. 1

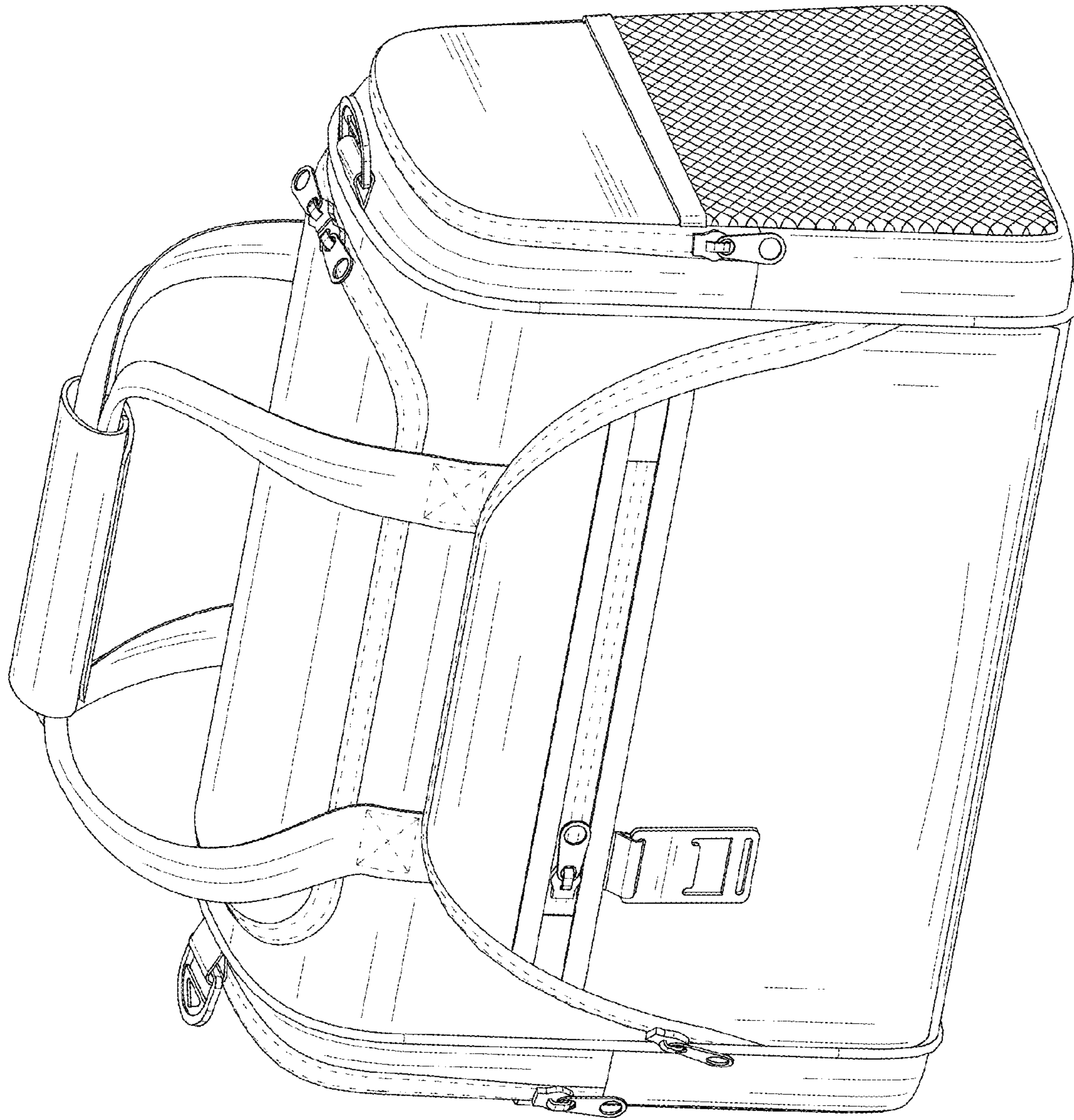


FIG.2



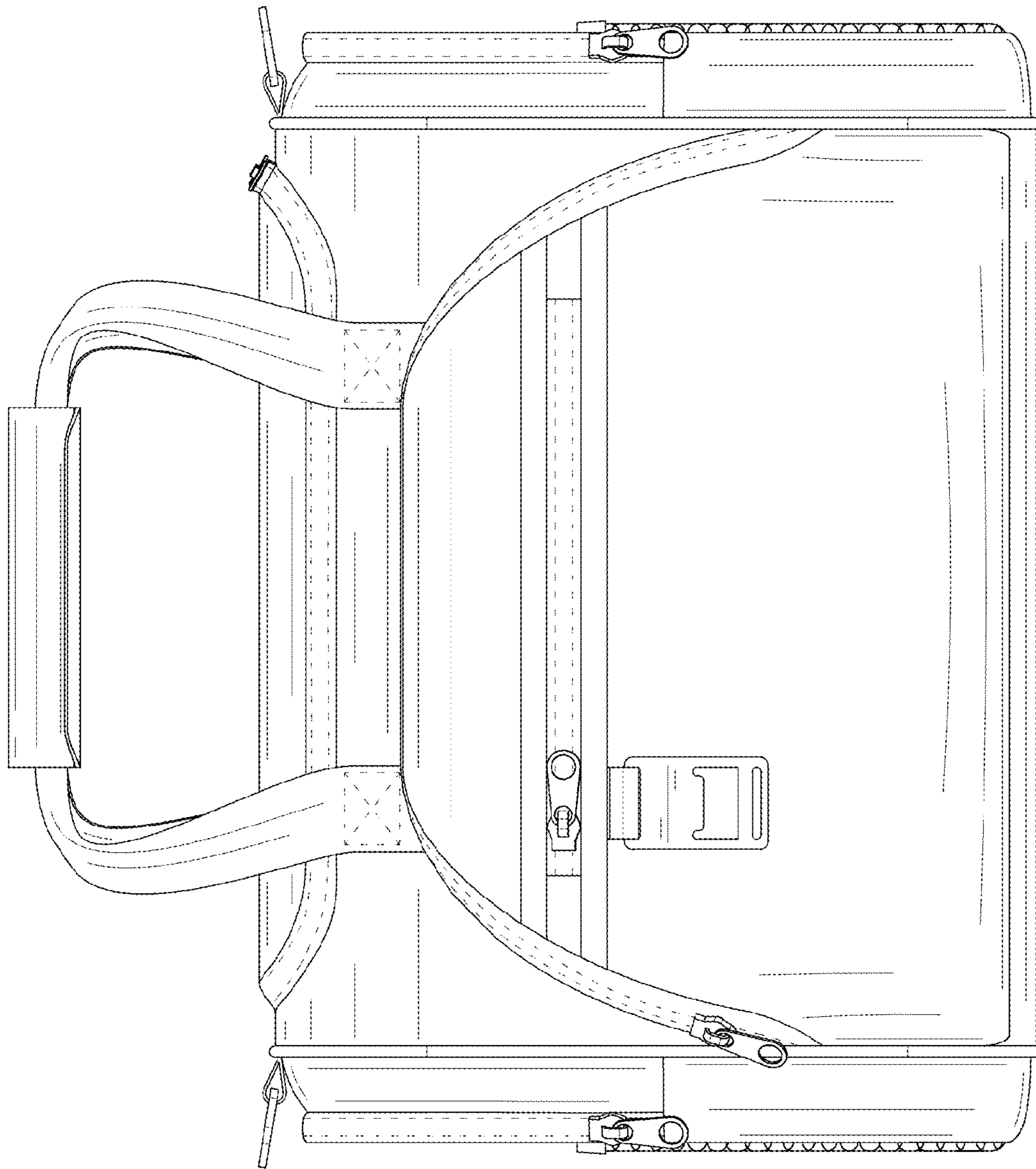


FIG. 3

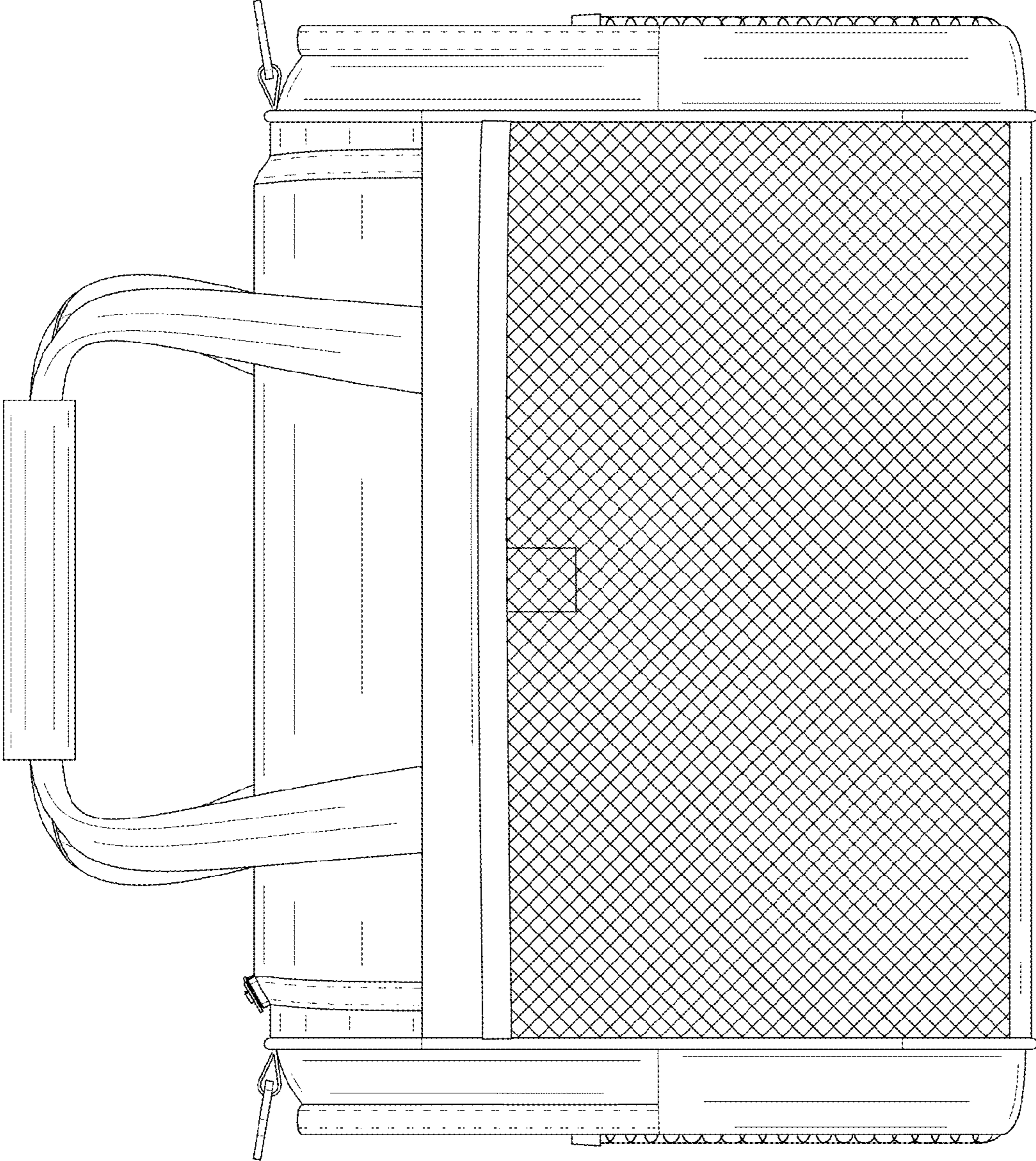


FIG.4



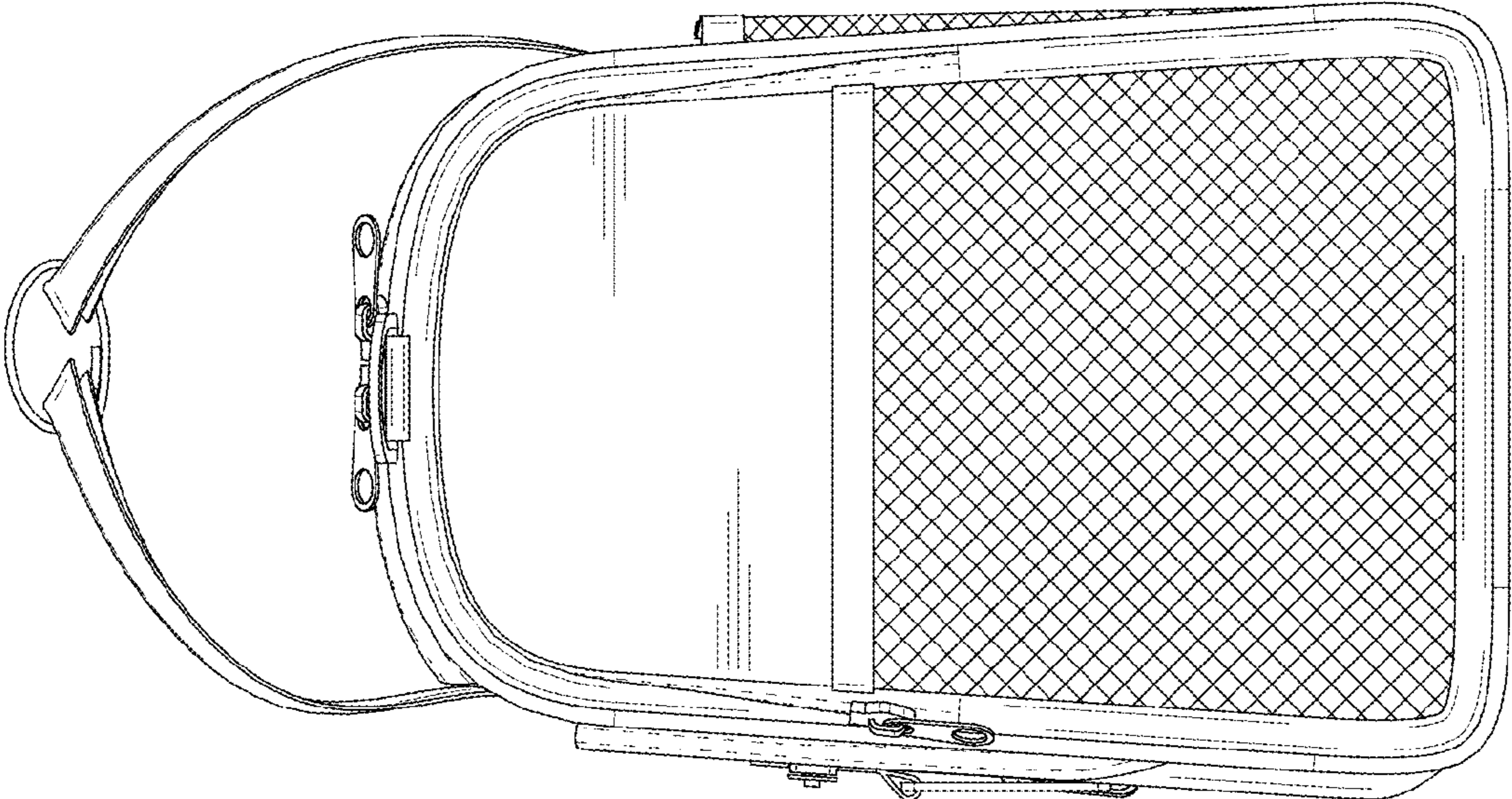


FIG.5

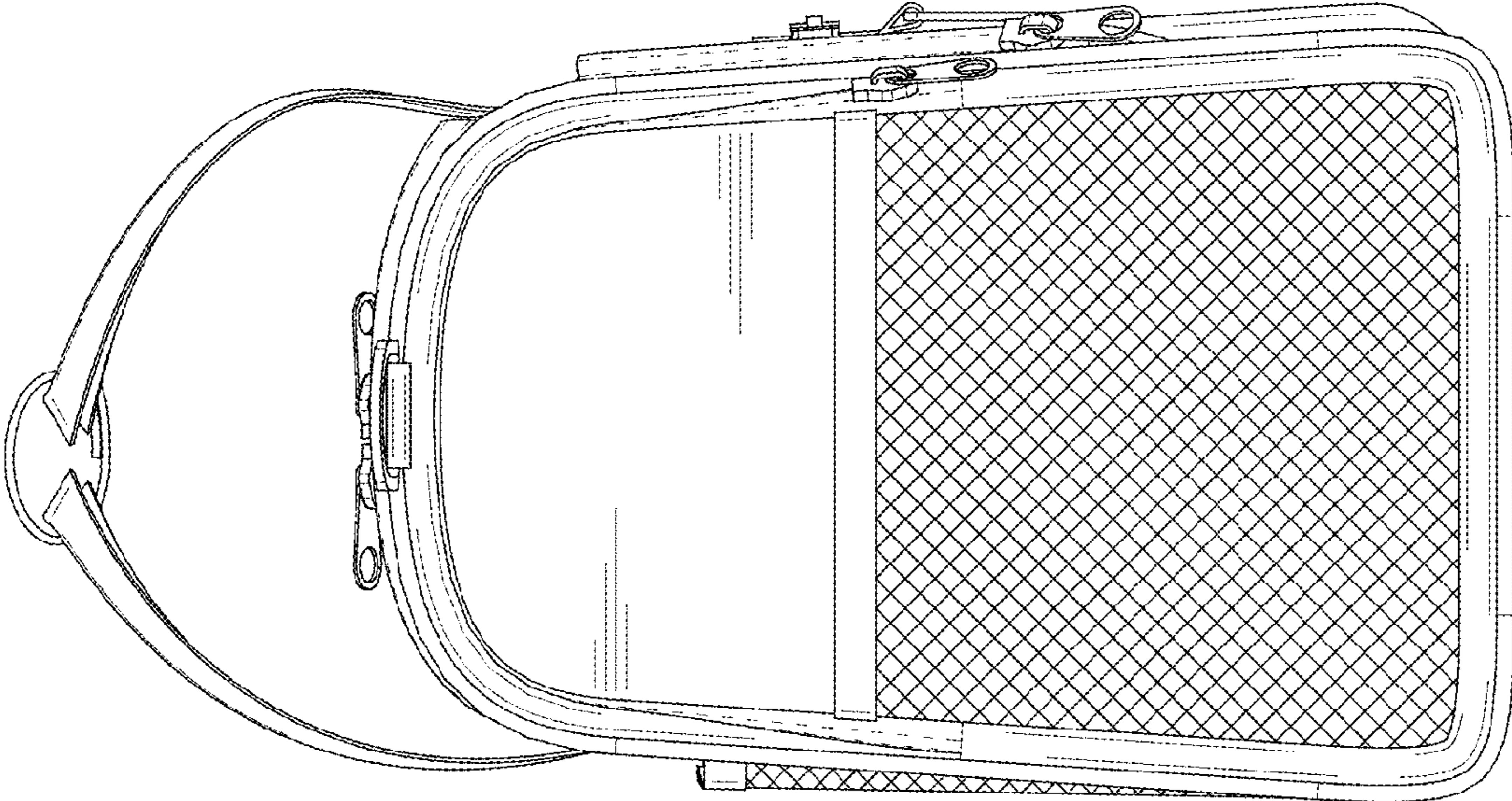


FIG.6



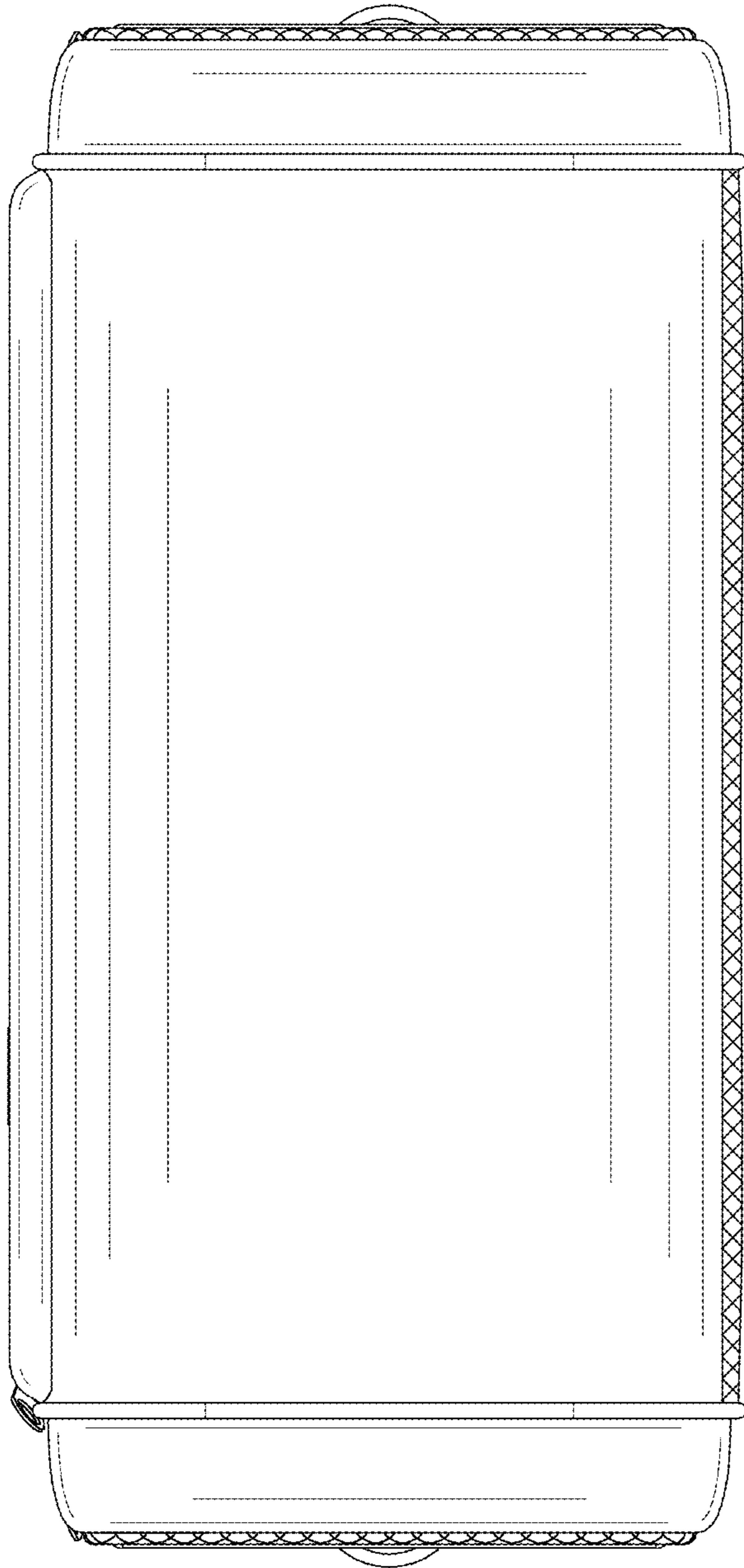


FIG. 7

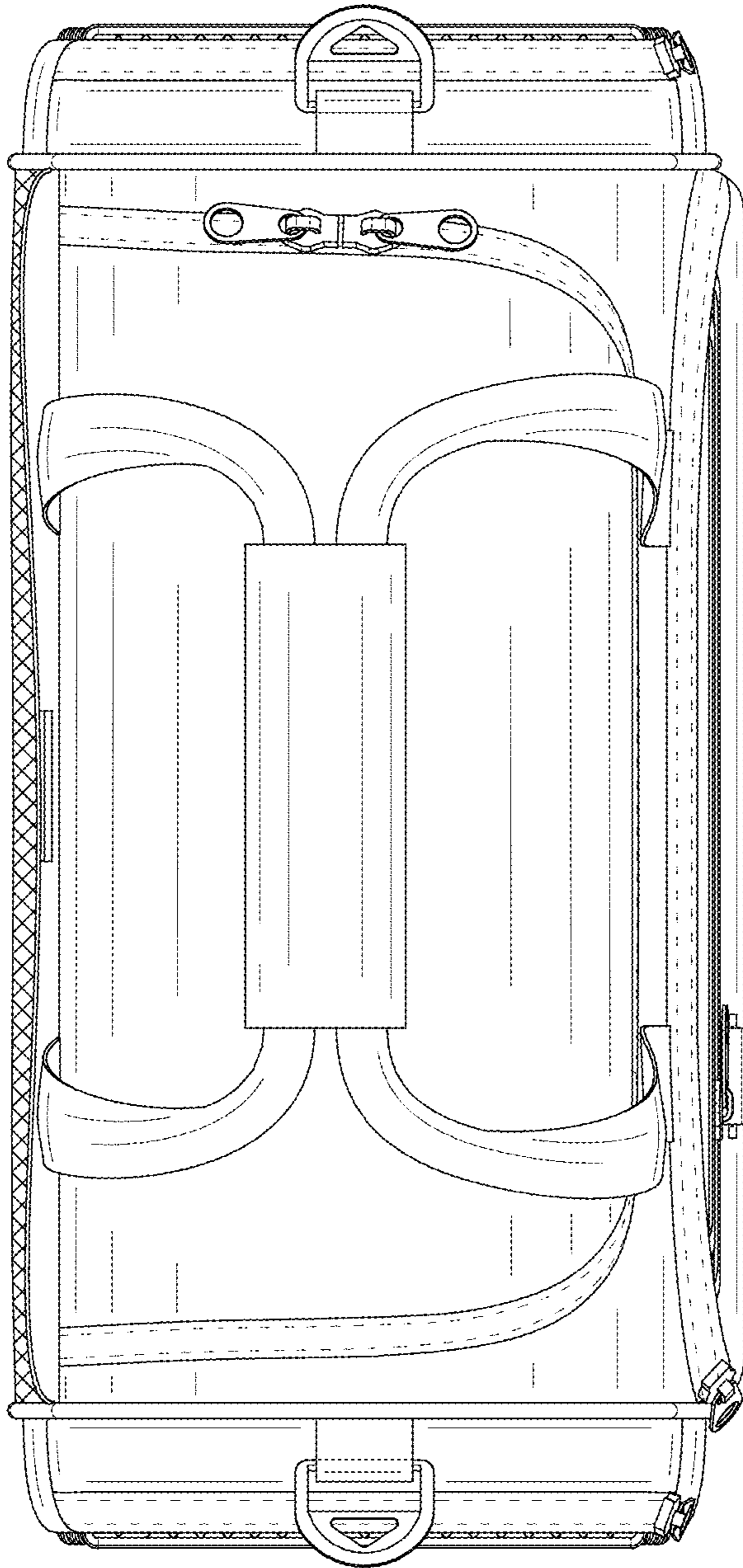


FIG. 8