

US00D964121S

(12) **United States Design Patent** (10) **Patent No.:** **US D964,121 S**
Voelker (45) **Date of Patent:** **** Sep. 20, 2022**

(54) **BEVERAGE HOLDER**
(71) Applicant: **Richard Voelker**, Palmer, KS (US)
(72) Inventor: **Richard Voelker**, Palmer, KS (US)
(**) Term: **15 Years**

9,759,369 B2 9/2017 Parks et al.
10,368,670 B2 8/2019 Heitzenrater
2009/0127420 A1 5/2009 Skaggs
2012/0199705 A1* 8/2012 Will A45F 3/44
248/121
2013/0119006 A1 5/2013 Graga et al.
2014/0131530 A1 5/2014 Webb

(21) Appl. No.: **29/746,946**
(22) Filed: **Aug. 18, 2020**
(51) **LOC (13) Cl.** **07-06**
(52) **U.S. Cl.**
USPC **D7/701**
(58) **Field of Classification Search**
USPC D6/682.2
CPC A45F 3/04; A45F 2200/0583; A47G
23/0225; A47G 23/02; A47G 23/0208
See application file for complete search history.

FOREIGN PATENT DOCUMENTS

GB 183010 A * 7/1922

* cited by examiner

Primary Examiner — Terry A Wallace
(74) *Attorney, Agent, or Firm* — Jeffrey L. Thompson;
Thompson Law, P.A.

(57) **CLAIM**

The ornamental design for a beverage holder, as shown and described.

(56) **References Cited**

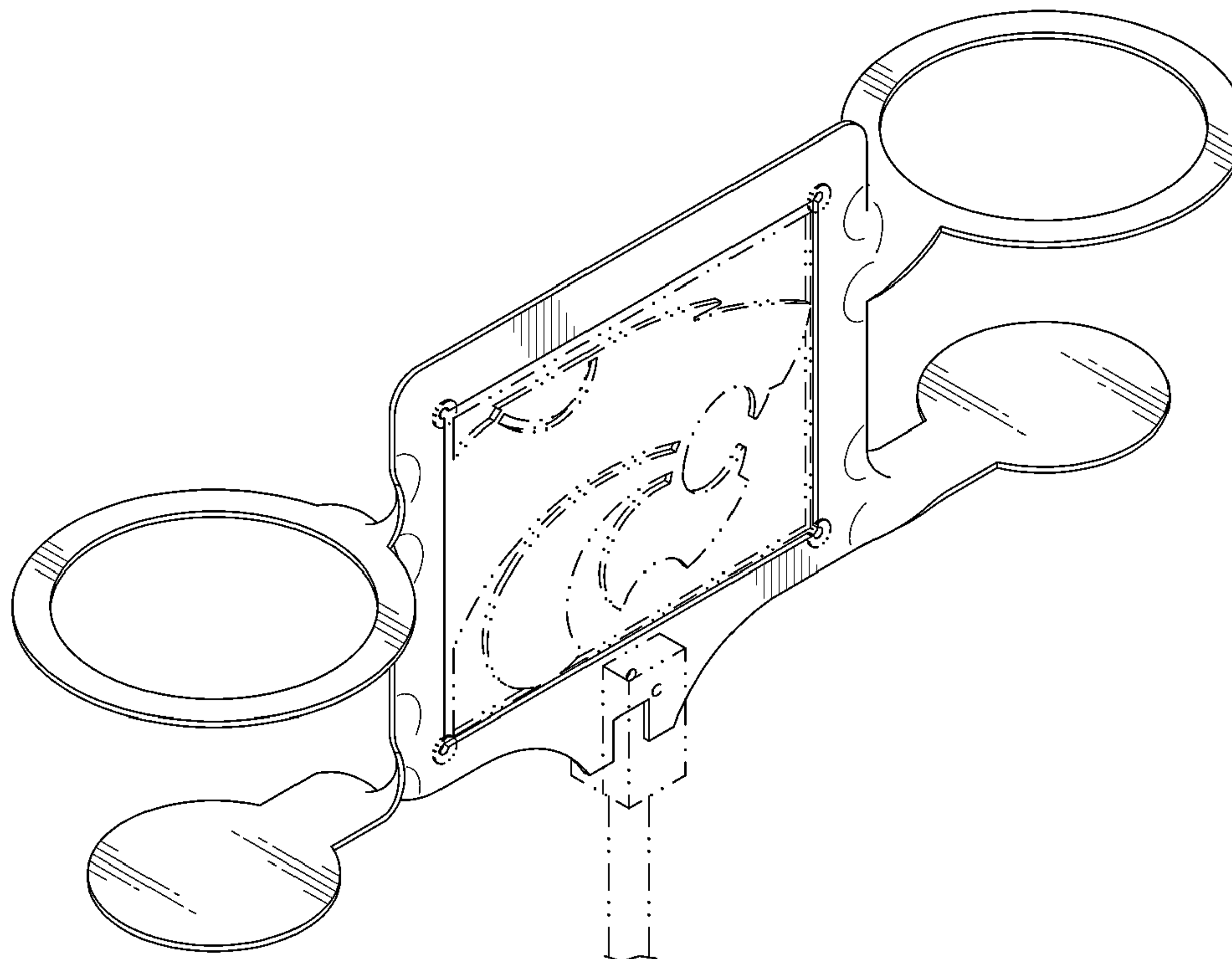
U.S. PATENT DOCUMENTS

2,520,818 A 8/1950 Terry
4,334,661 A 6/1982 Pitt
D286,591 S * 11/1986 Russell D6/682.2
D366,600 S 1/1996 Laskowski et al.
6,732,985 B1 * 5/2004 Cantrell A45F 3/44
248/156
D527,231 S * 8/2006 Perotti D7/707
7,207,450 B1 4/2007 Franklin et al.
D587,541 S 3/2009 Klump
D618,074 S 6/2010 Paetsch
8,201,794 B1 6/2012 Pesola
9,357,829 B1 6/2016 Ikier et al.
9,549,627 B1 1/2017 Grady

DESCRIPTION

FIG. 1 is a perspective view of my new design;
FIG. 2 is a front view thereof;
FIG. 3 is a rear view thereof;
FIG. 4 is a top view thereof;
FIG. 5 is a bottom view thereof;
FIG. 6 is an end view thereof; and,
FIG. 7 is another end view thereof.
The broken lines showing portions of a support stand, a logo plate, and mounting elements for securing the logo plate to the beverage holder depict environment and form no part of the claim.

1 Claim, 3 Drawing Sheets



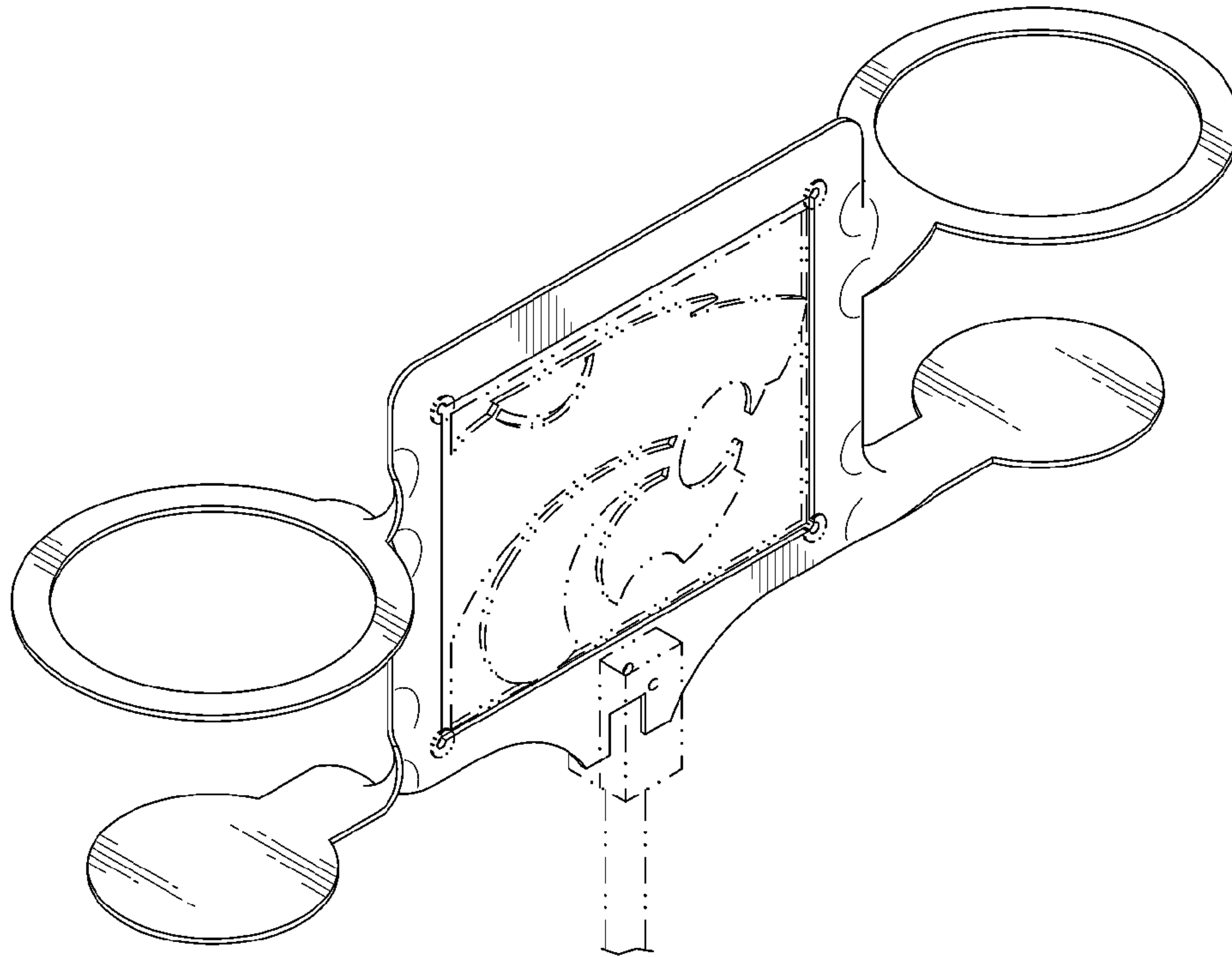


Fig. 1

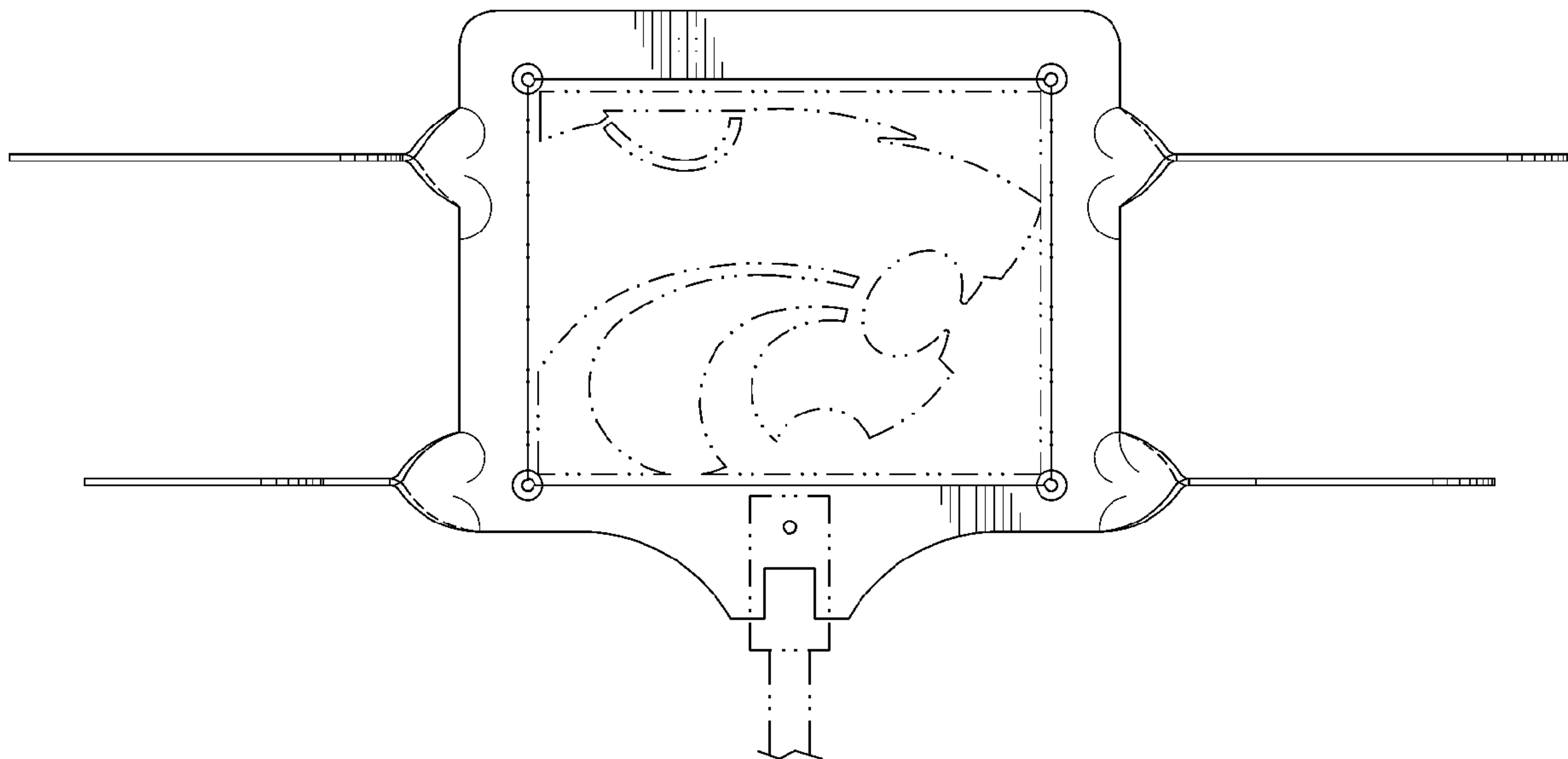


Fig. 2

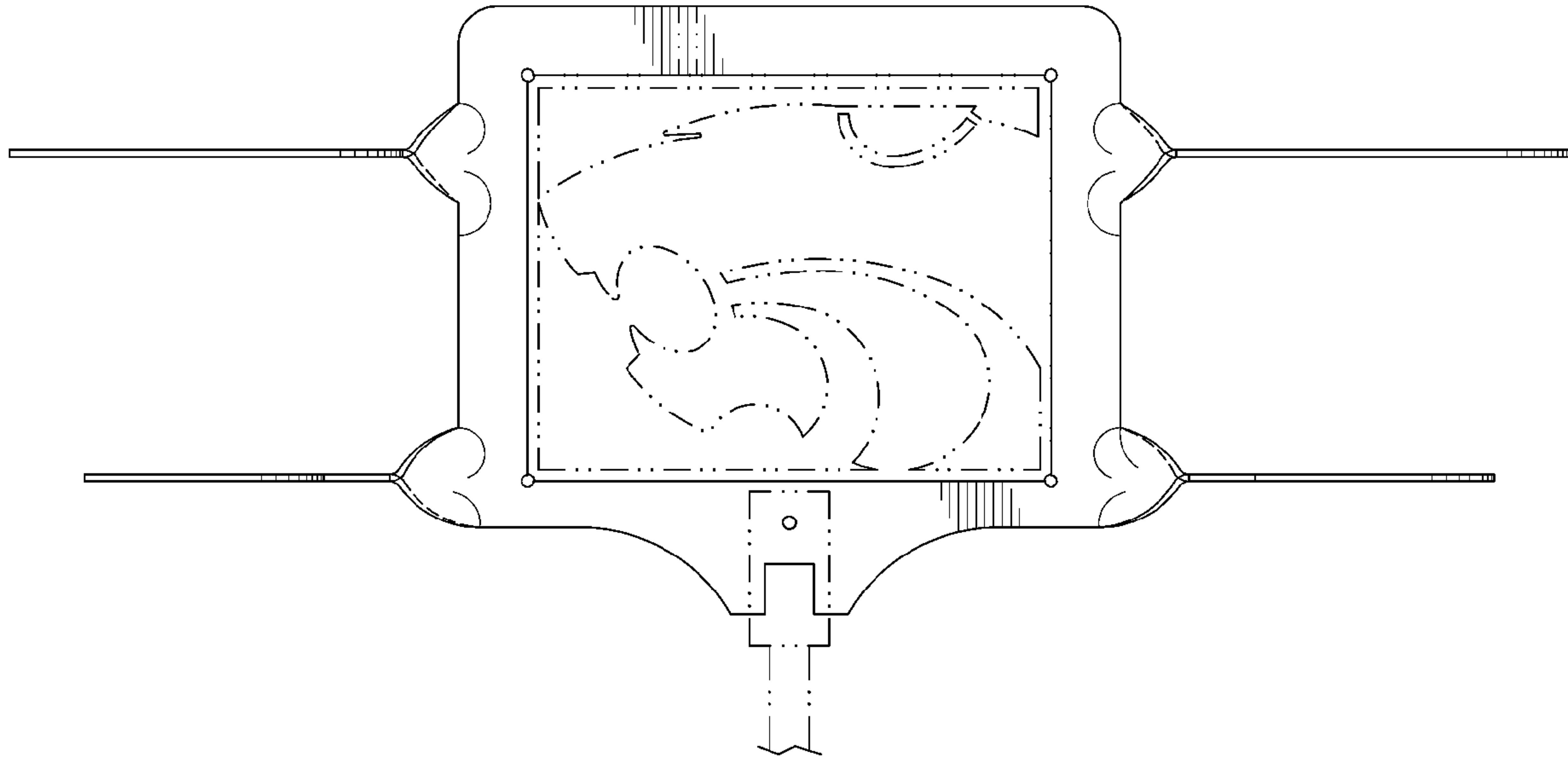


Fig. 3

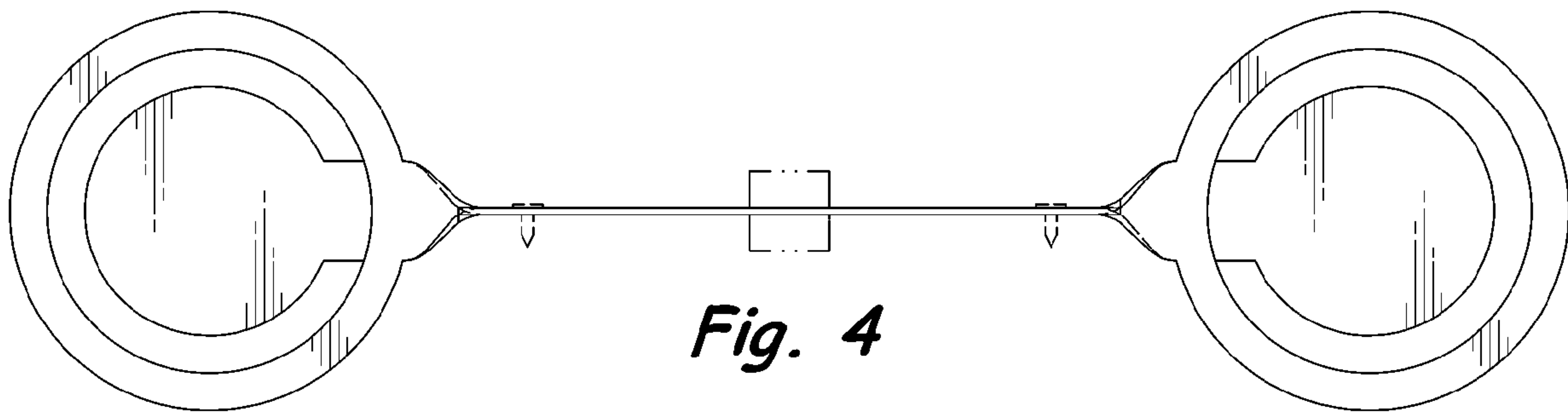


Fig. 4

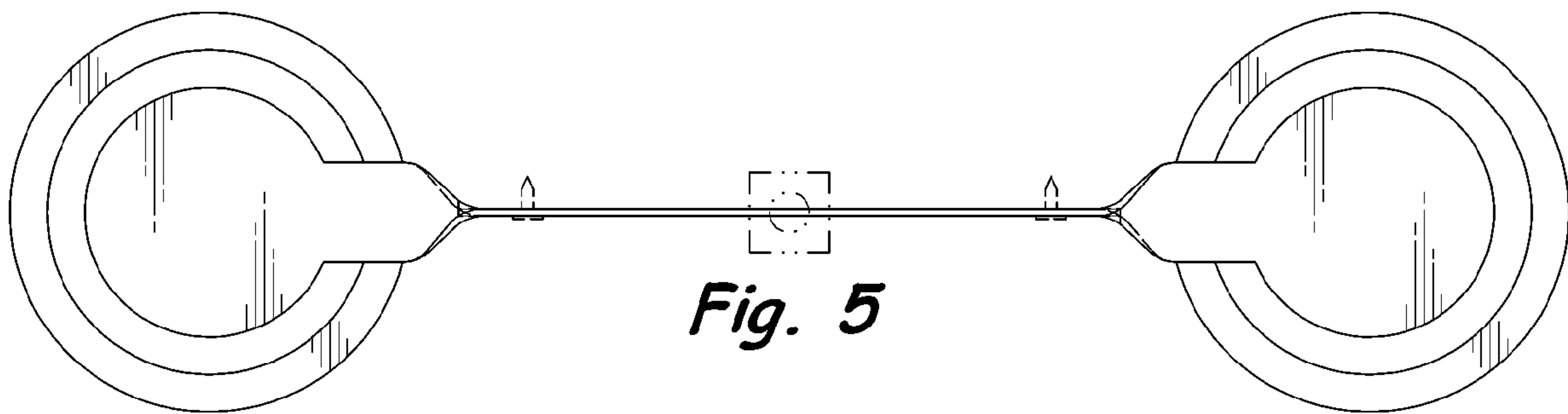


Fig. 5

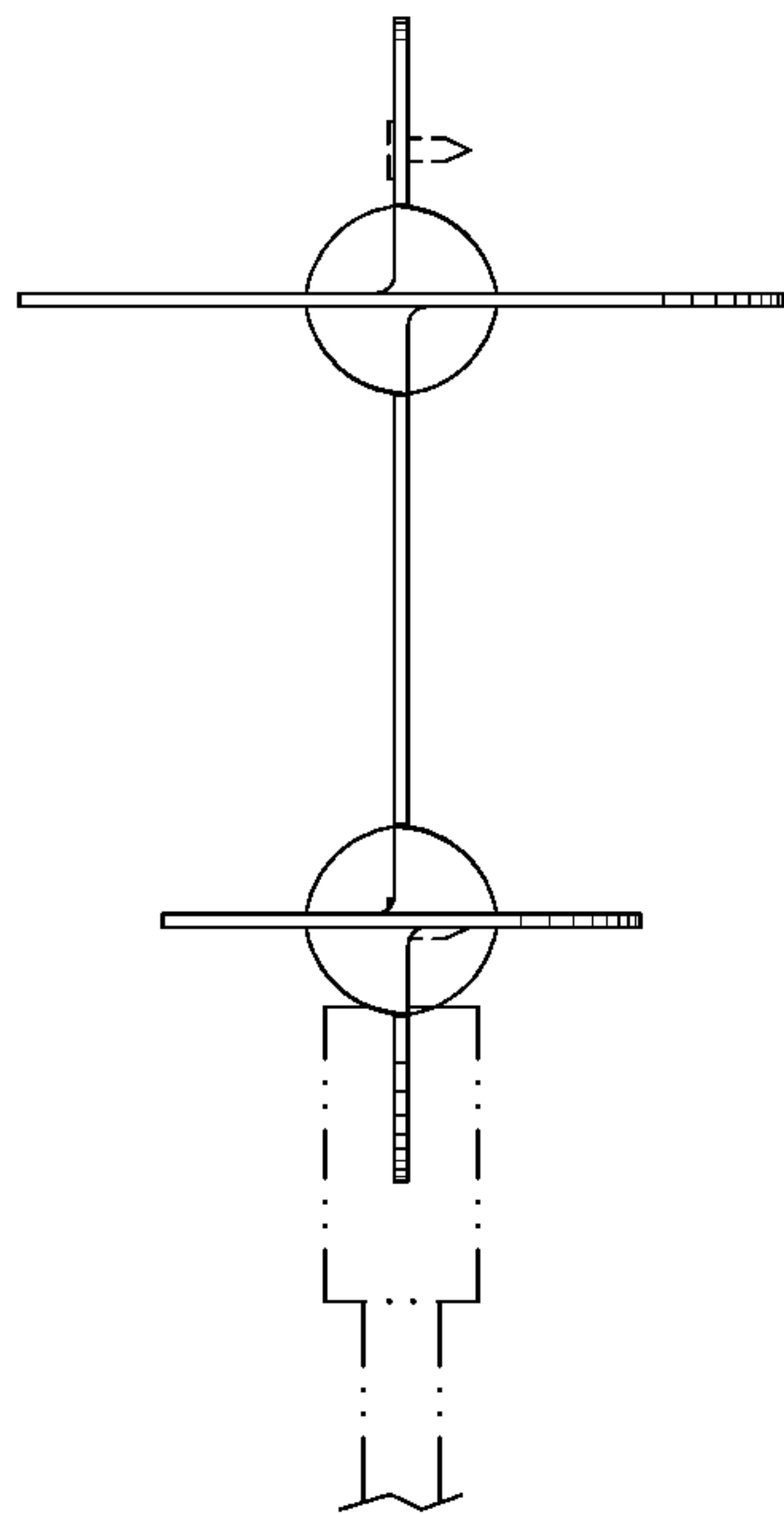


Fig. 6

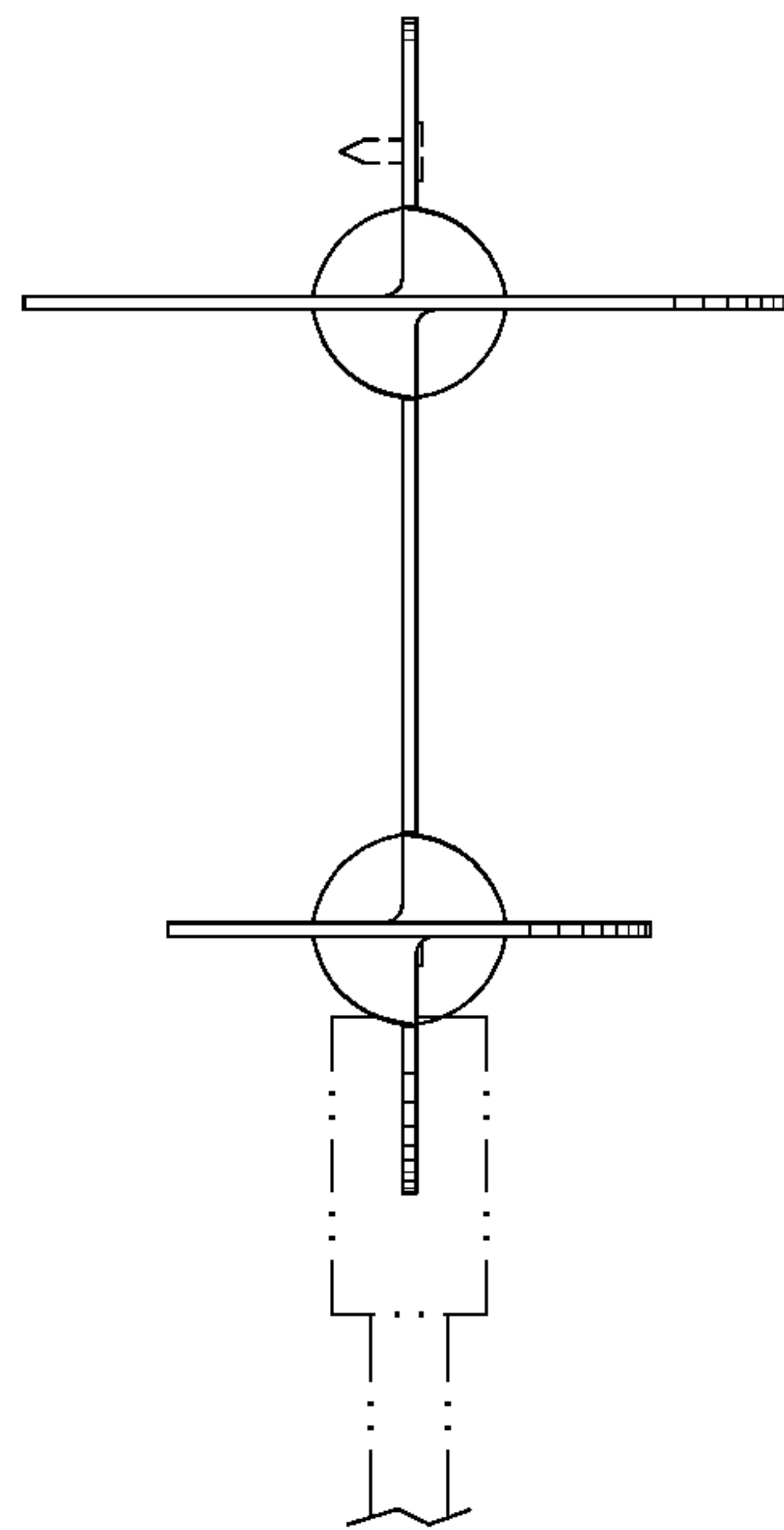


Fig. 7