

US00D964119S

(12) **United States Design Patent** (10) **Patent No.:** **US D964,119 S**  
**Repac** (45) **Date of Patent:** **\*\* Sep. 20, 2022**

- (54) **FOOD CUTTING DEVICE**
- (71) Applicant: **Genius GmbH**, Limburg (DE)
- (72) Inventor: **Cedomir Repac**, Brechen (DE)
- (73) Assignee: **GENIUS GMBH**
- (\*\*) Term: **15 Years**
- (21) Appl. No.: **29/756,621**
- (22) Filed: **Oct. 29, 2020**
- (51) **LOC (13) Cl.** ..... **07-04**
- (52) **U.S. Cl.**  
USPC ..... **D7/673**
- (58) **Field of Classification Search**  
USPC ..... D7/352, 354, 362-364, 367, 368, 502,  
D7/538, 543, 545, 547, 550.1, 553.1,  
D7/553.2, 554.3, 601, 602, 669, 672-678,  
D7/693, 696  
CPC ..... A47J 17/02; A47J 43/25; A47J 43/255;  
B26D 3/185; B26D 3/24; B26D 3/245;  
B26D 3/26; B26D 3/283; B26D  
2003/285; B26D 2003/286; B26D  
2003/287; B26D 2003/288; B26D  
2210/02  
See application file for complete search history.

- D838,146 S \* 1/2019 Appelbaum ..... A47J 43/25  
D7/672
- D913,054 S \* 3/2021 Cloutier ..... D7/678
- D924,017 S \* 7/2021 Hefti ..... B26D 3/283  
D7/673
- D931,692 S \* 9/2021 Lu ..... B26D 7/2628  
D7/673
- 2016/0354943 A1\* 12/2016 Wong ..... B26D 7/2628
- 2020/0329914 A1\* 10/2020 Repac ..... B26D 3/26

**OTHER PUBLICATIONS**

Design No. 9007213376-0004, Nov. 12, 2019—Intellectual Property Office (UK) Publication Date—Nov. 12, 2019 Owner—Genius GmbH DesignView, available at [www.tmdn.org/tmdsview-web/welcome](http://www.tmdn.org/tmdsview-web/welcome) (Year: 2019).\*

Genius Nicer Dicer Speed Set, first available Sep. 15, 2020, Amazon, [online], [site visited May 23, 2022], Available from internet URL: <https://www.amazon.de/-/en/Genius-Nicer-Dicer-9-Piece-Slicer/dp/B08J47X9KK> (Year: 2020).\*

\* cited by examiner

*Primary Examiner* — Mary Ann Calabrese  
*Assistant Examiner* — Natalya M Rapundalo  
(74) *Attorney, Agent, or Firm* — Hodgson Russ LLP

(57) **CLAIM**

The ornamental design for a food cutting device, as shown and described.

**DESCRIPTION**

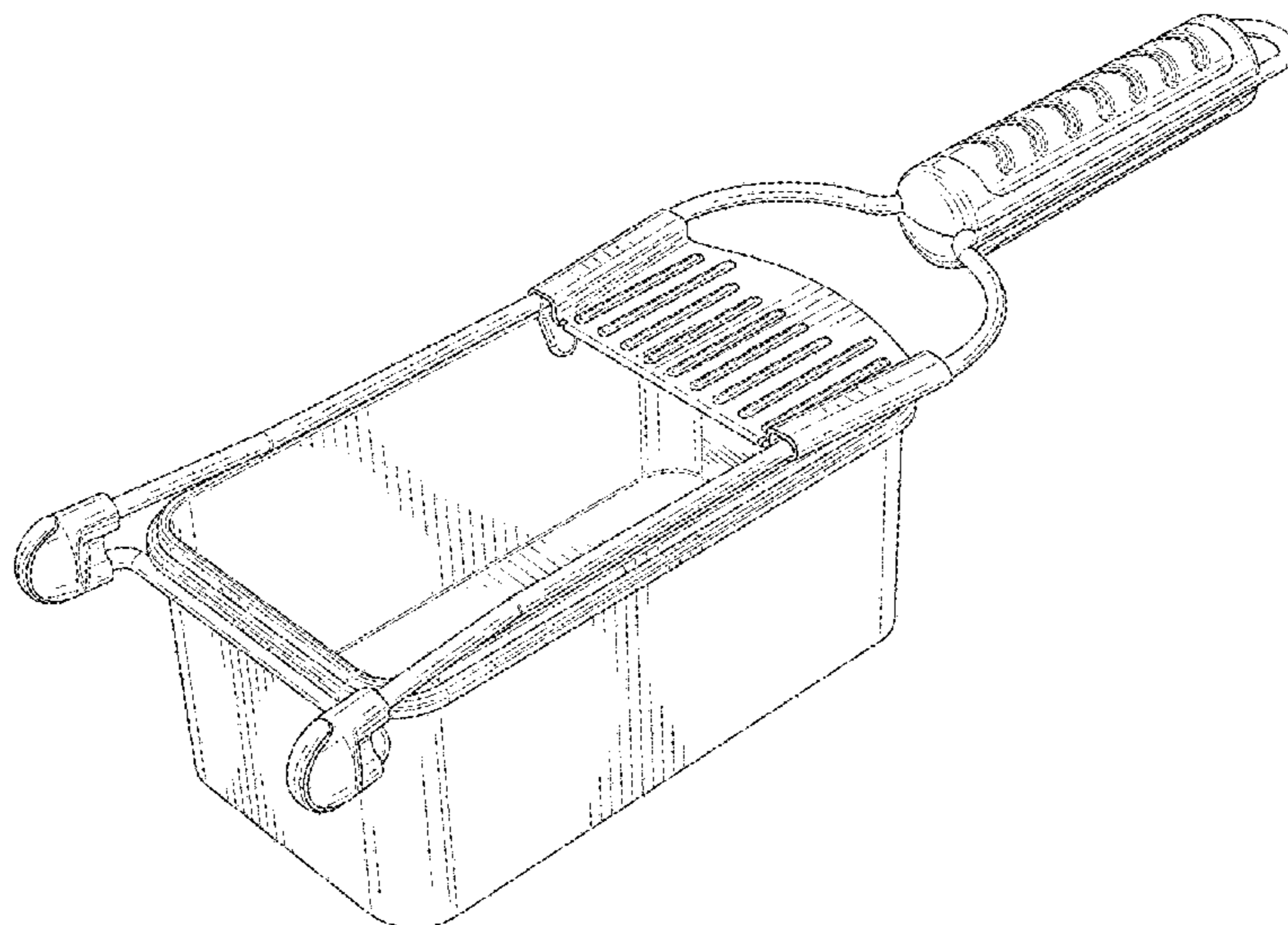
FIG. 1 a top perspective view of a food cutting device, showing my new design;  
FIG. 2 is a front elevation view thereof;  
FIG. 3 is a rear elevation view thereof;  
FIG. 4 is a right side elevation view thereof;  
FIG. 5 is a left side elevation view thereof;  
FIG. 6 is a top plan view thereof; and,  
FIG. 7 is a bottom plan view thereof.  
The broken lines illustrate portions of the food cutting device that form no part of the claimed design.

**1 Claim, 4 Drawing Sheets**

(56) **References Cited**

**U.S. PATENT DOCUMENTS**

- 1,984,034 A \* 12/1934 Ryan ..... B26D 3/283  
D7/693
- 6,318,652 B1 \* 11/2001 Liu ..... A47J 43/25  
241/168
- D569,200 S \* 5/2008 Chalfant ..... D7/672
- D578,838 S \* 10/2008 Hood ..... D7/678
- D589,309 S \* 3/2009 Olivari ..... D7/672
- D595,128 S \* 6/2009 Bouveret ..... D9/425
- D596,467 S \* 7/2009 de Buyer ..... D7/693
- D729,594 S \* 5/2015 Stewart ..... D7/673
- D826,655 S \* 8/2018 Chen ..... D7/673



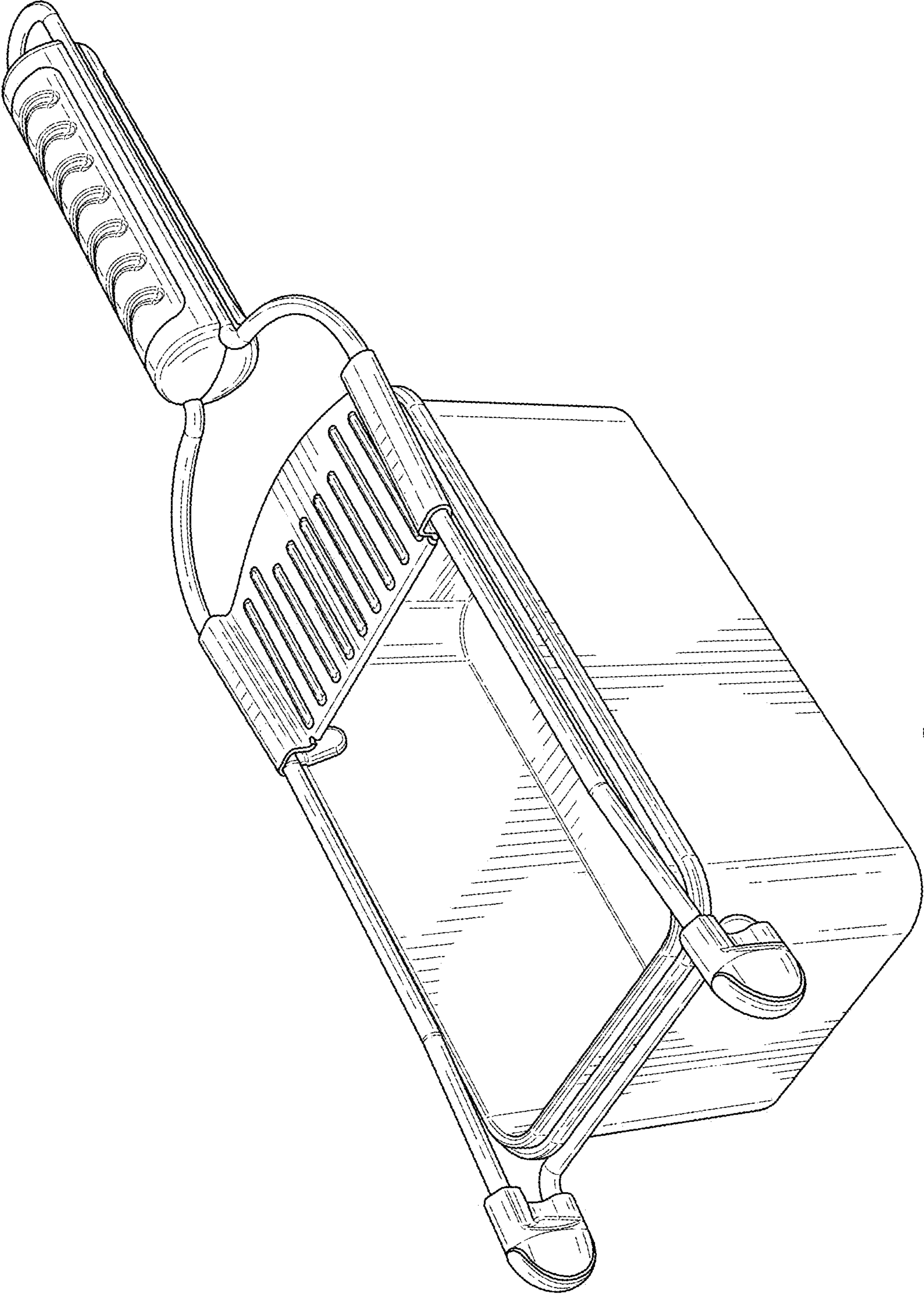


FIG. 1

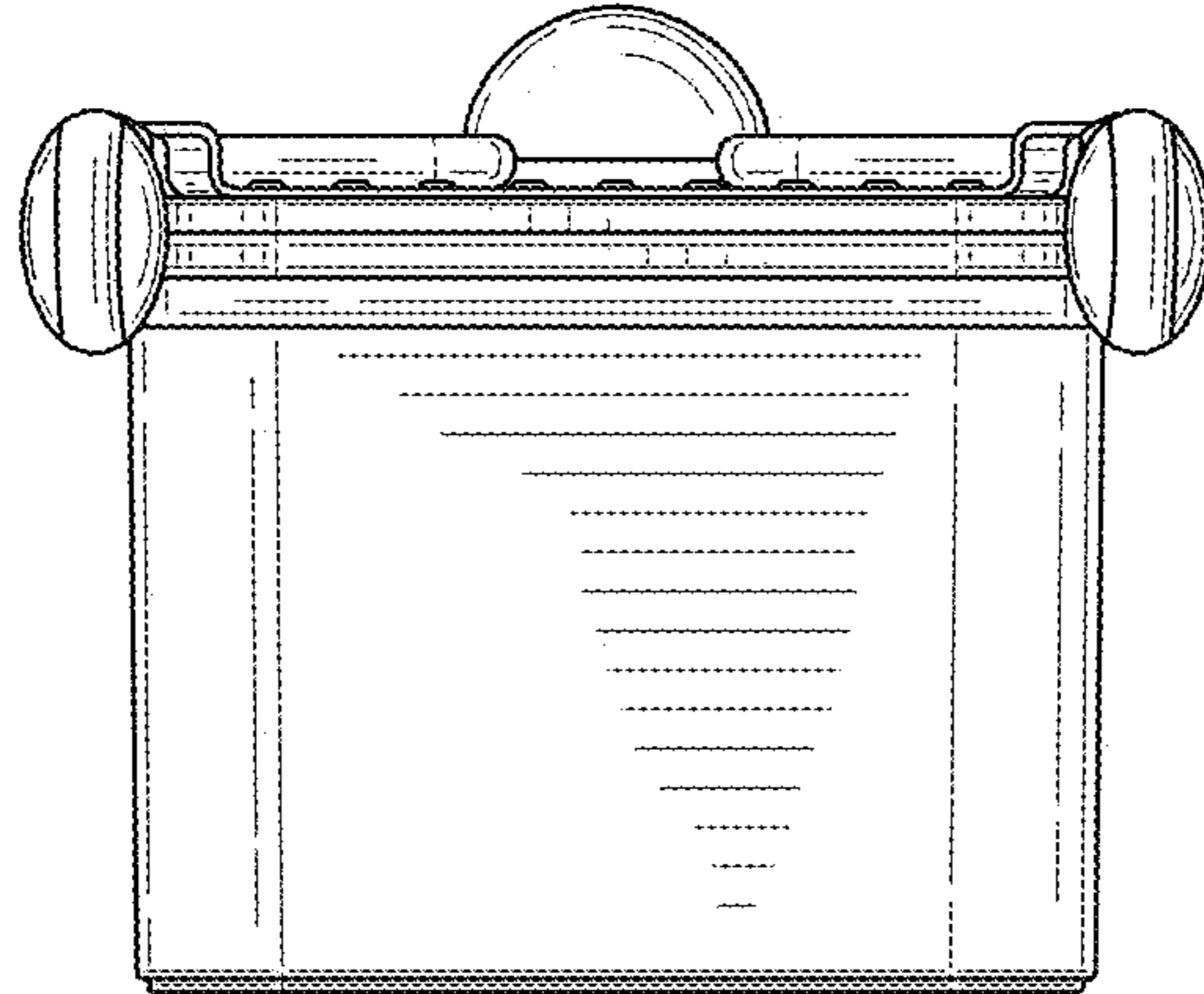


FIG. 2

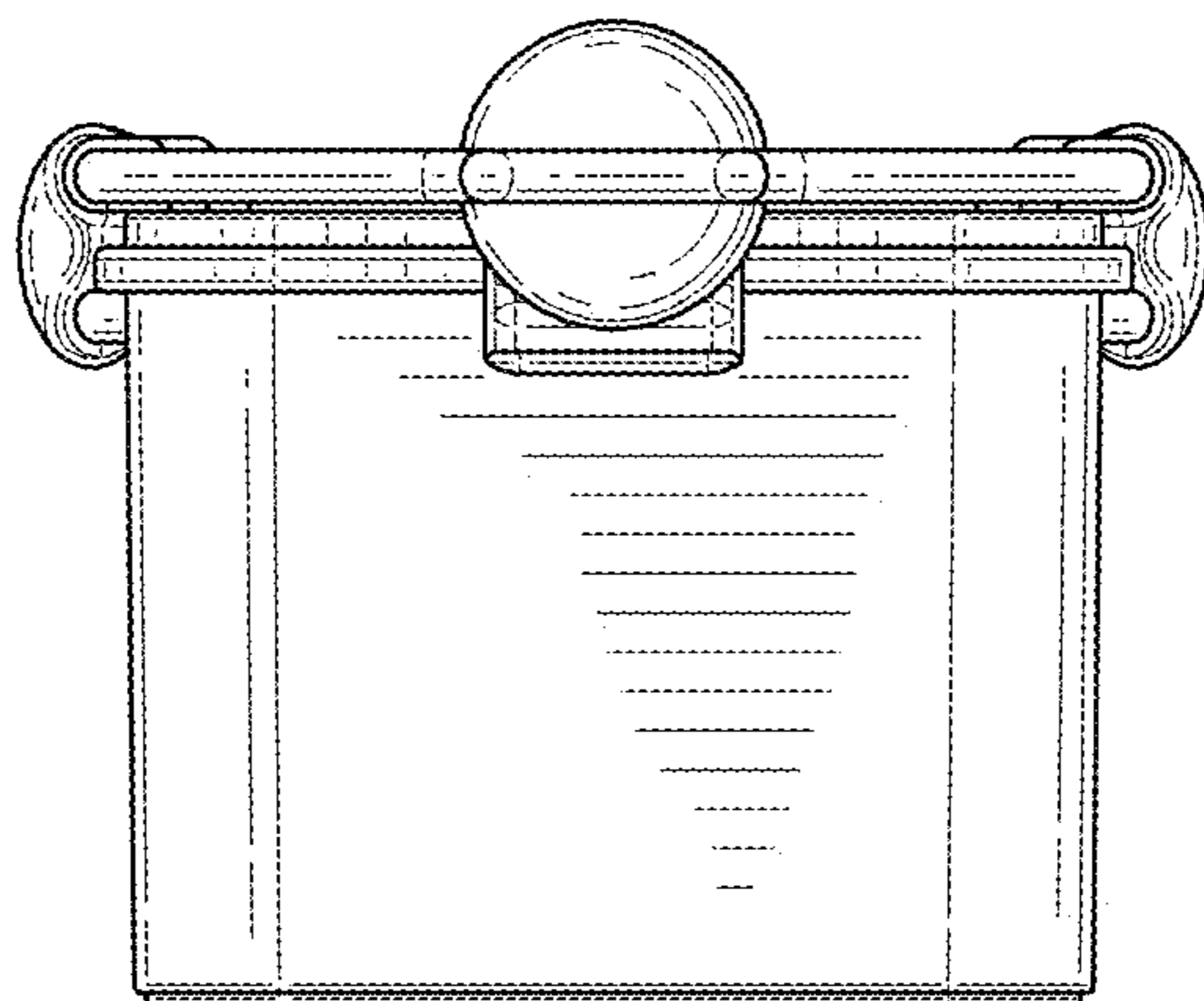


FIG. 3



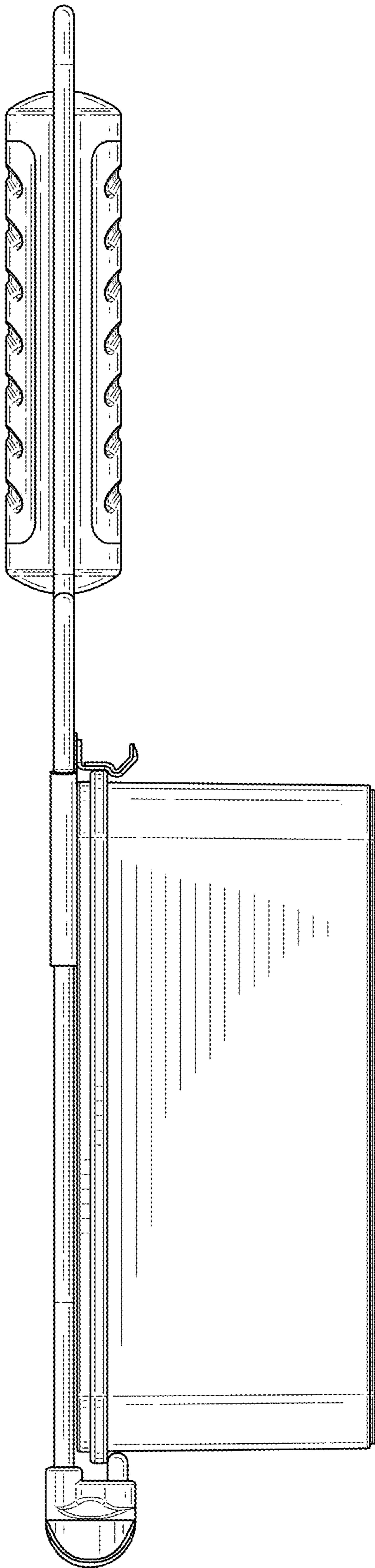


FIG. 4

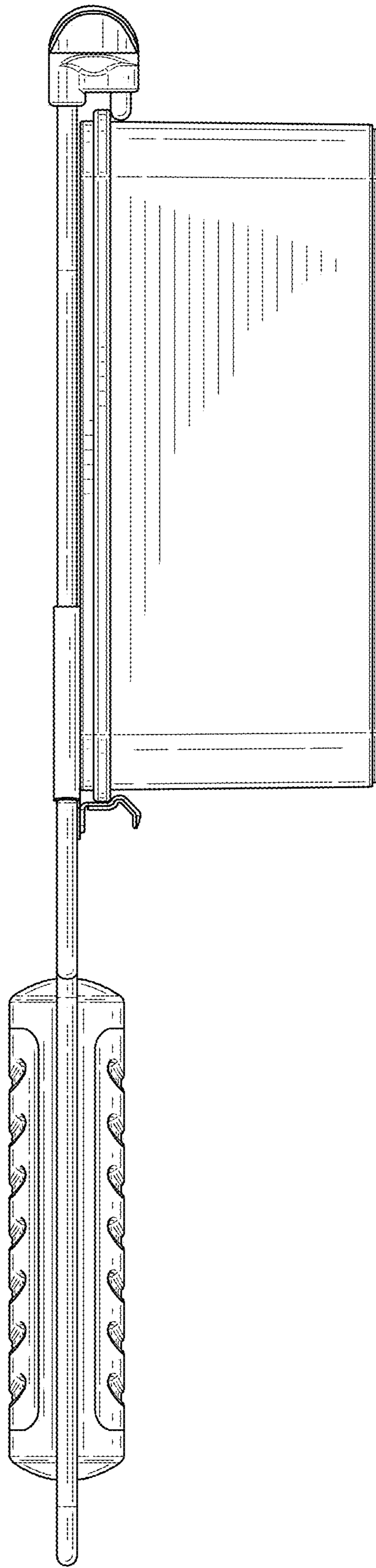


FIG. 5

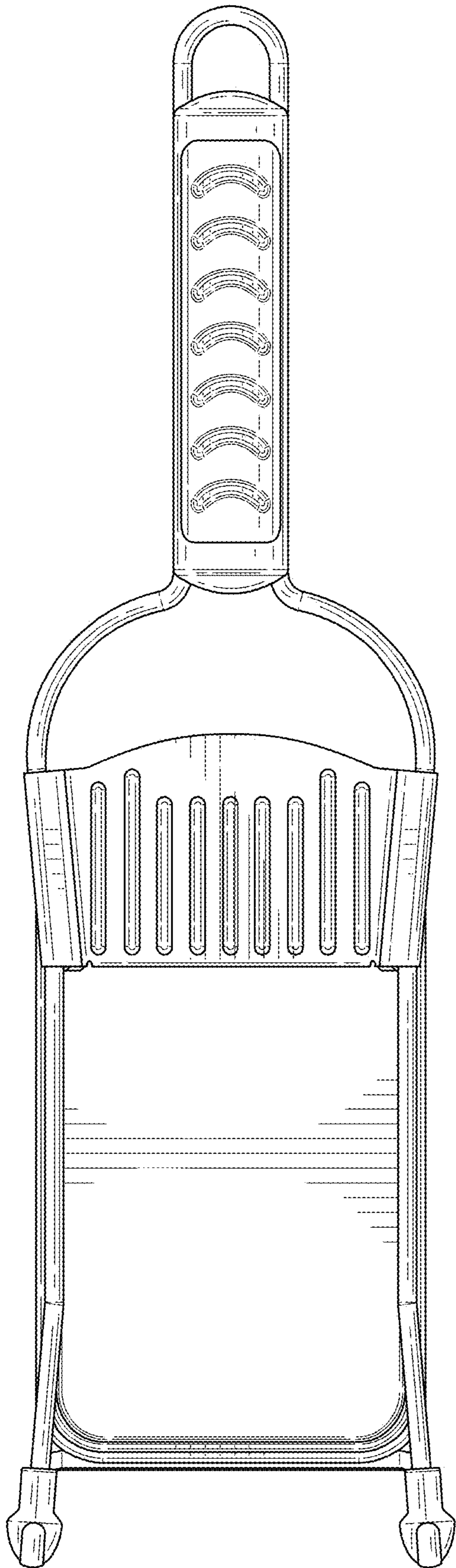


FIG. 6

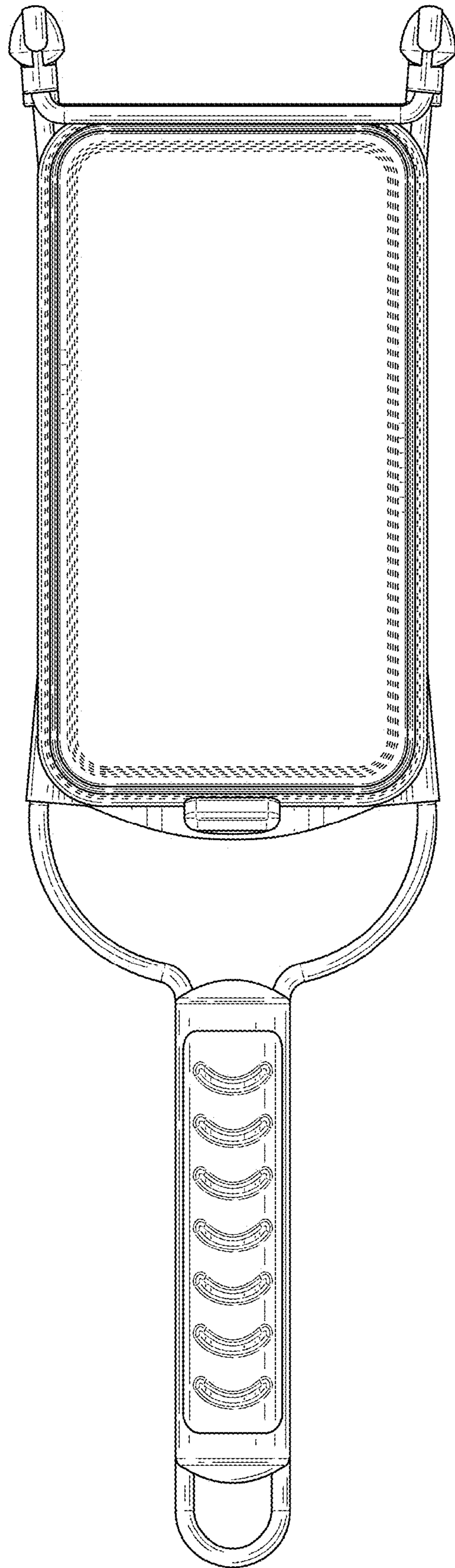


FIG. 7