



US00D964114S

(12) **United States Design Patent** (10) **Patent No.:** **US D964,114 S**
Burns et al. (45) **Date of Patent:** **** Sep. 20, 2022**

(54) **FOOD CONTAINER**

FOREIGN PATENT DOCUMENTS

(71) Applicant: **Lifetime Brands, Inc.**, Garden City, NY (US)

GB 6063021 6/2019
SG 30201906672 7/2019

(72) Inventors: **Clay Allen Burns**, New York, NY (US); **Mario Quintana Serrahima**, Sour (LB); **Eric Charles Fleischer**, New York, NY (US)

OTHER PUBLICATIONS

EU 006574745-0001, "Notice of Allowance," dated Jun. 11, 2019, 7 pages.

(73) Assignee: **Lifetime Brands, Inc.**, Garden City, NY (US)

(Continued)

(**) Term: **15 Years**

Primary Examiner — Andrew Kerr

(21) Appl. No.: **29/709,172**

(74) *Attorney, Agent, or Firm* — Tutunjian & Bitetto, P.C.

(22) Filed: **Oct. 11, 2019**

(57) **CLAIM**

Related U.S. Application Data

The ornamental design for a food container, as shown and described.

(63) Continuation of application No. 29/673,625, filed on Dec. 17, 2018, now Pat. No. Des. 886,541.

(51) **LOC (13) Cl.** **09-07**

(52) **U.S. Cl.**
USPC **D7/629**

DESCRIPTION

(58) **Field of Classification Search**
USPC D7/523, 509–511, 300.1, 591, 602, 603, D7/605, 612, 615, 619.1, 629, 630; D9/424, 428, 435, 443, 452, 453, 530, D9/537, 538, 539, 541, 542, 549, 516, D9/551, 556, 569, 559, 905; D3/201
CPC A47G 19/22; A47G 19/2205; A47G 19/2266; A47G 7/00; A47G 7/02; A47G 7/06; A45F 3/16; A45F 3/20; A47J 43/27
See application file for complete search history.

FIG. 1 is a top perspective view of a food container, showing our new design.
FIG. 2 is a front elevation view of the food container of FIG. 1.
FIG. 3 is a rear elevation view of the food container of FIG. 1.
FIG. 4 is a left side elevation view of the food container of FIG. 1.
FIG. 5 is right side elevation view of the food container of FIG. 1.
FIG. 6 is a top plan view of the food container of FIG. 1; and, FIG. 7 is an exploded view of the food container of FIG. 1. The even dashed broken lines in the drawings depict portions of the food container that form no part of the claimed design. The dash-dot broken lines in the drawings define the bounds of the claimed design and form no part thereof.

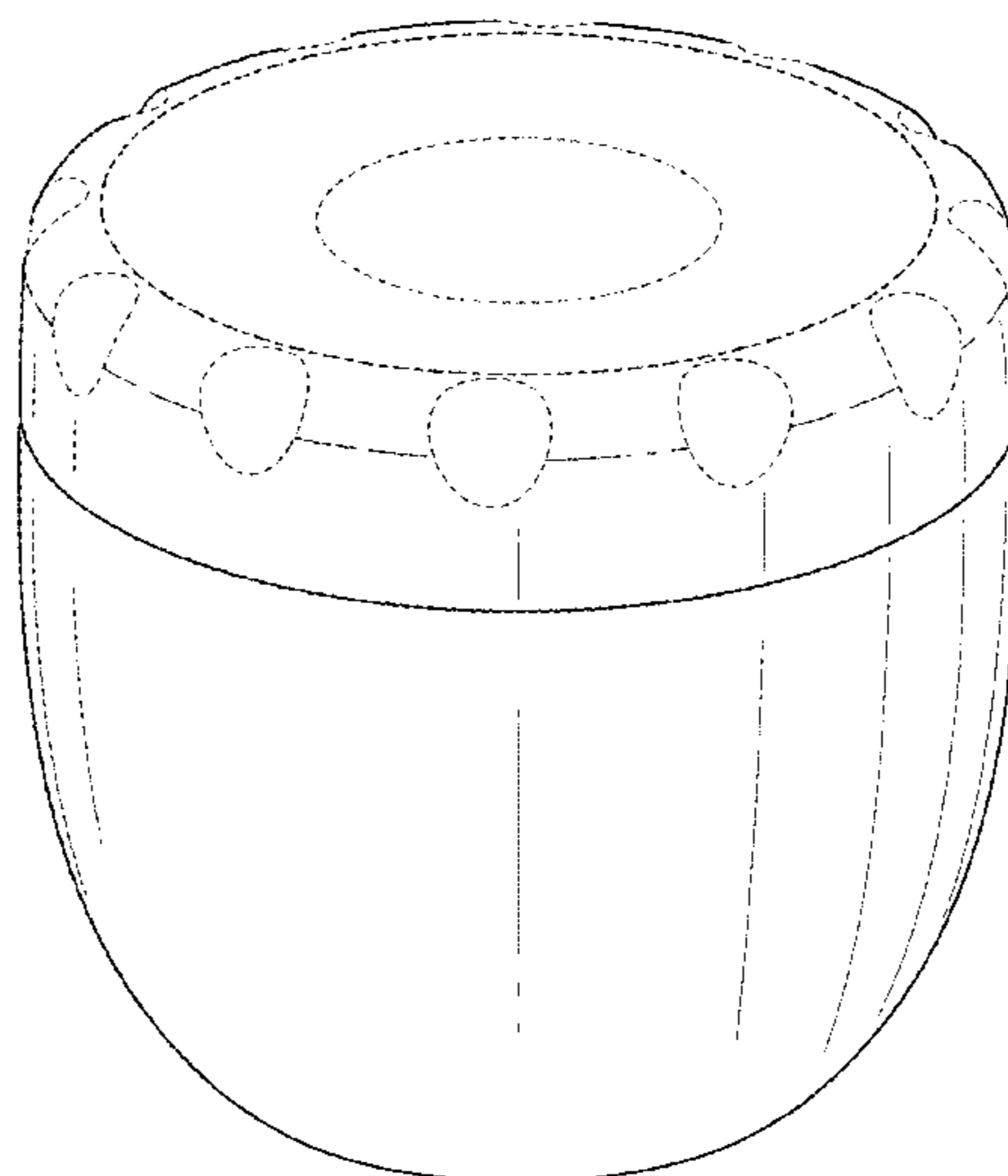
(56) **References Cited**

U.S. PATENT DOCUMENTS

835,166 A 11/1906 Staunton
2,416,900 A 3/1947 Busby
D289,259 S * 4/1987 Strand D9/500
5,258,191 A 11/1993 Hayes

(Continued)

1 Claim, 5 Drawing Sheets



(56)

References Cited

U.S. PATENT DOCUMENTS

D361,265 S * 8/1995 Doxey D9/435
 5,443,853 A 8/1995 Hayes
 5,944,211 A 8/1999 Woodnorth et al.
 D435,449 S * 12/2000 Moretti D9/500
 D445,032 S 7/2001 Hammer
 D471,455 S 3/2003 Laveault et al.
 D474,378 S 5/2003 Brandenburg
 D480,000 S * 9/2003 Hirato D9/504
 D525,131 S * 7/2006 Davies D9/504
 D578,393 S * 10/2008 Canamasas Puigbo D9/500
 D582,291 S * 12/2008 de Baschmakoff D9/571
 D603,266 S * 11/2009 Dibnah D9/549
 D610,460 S * 2/2010 Nagata D9/504
 D612,240 S * 3/2010 Cresswell D9/504
 D621,708 S 8/2010 Thomas et al.
 D638,705 S 5/2011 Schawo
 D655,168 S * 3/2012 In D9/504
 D655,604 S 3/2012 Molina et al.
 D657,249 S * 4/2012 Bakic D9/503
 D659,539 S * 5/2012 Bakic D9/503
 D666,061 S 8/2012 Ying
 D707,561 S * 6/2014 You D9/503
 D712,743 S * 9/2014 Neputy D9/453
 D758,858 S 6/2016 Greenfield
 D779,329 S * 2/2017 Buogo D9/519
 D782,243 S 3/2017 Gieske et al.
 9,629,437 B2 * 4/2017 Shen A45D 33/00
 D797,520 S 9/2017 Kolano
 D809,384 S 2/2018 Best et al.
 D817,174 S * 5/2018 Weinrich D9/503

D818,648 S * 5/2018 Cleij D9/504
 D820,044 S 6/2018 Jenkins et al.
 D821,826 S 7/2018 Vasquez
 D836,982 S 1/2019 Diener et al.
 D837,651 S * 1/2019 Jeong D9/503
 D842,110 S * 3/2019 Marina D9/554
 D858,289 S 9/2019 Talsania et al.
 D867,062 S 11/2019 Meyers
 D867,155 S * 11/2019 Oishi D9/560
 D869,283 S 12/2019 Groglopo Favetto et al.
 D887,272 S * 6/2020 Bhat D9/504
 D904,133 S * 12/2020 Armistead D7/629
 D906,819 S * 1/2021 Clark D9/500
 D909,207 S * 2/2021 Blomberg D9/504
 D914,500 S * 3/2021 Blomberg D9/500
 D915,205 S * 4/2021 Castellanos D9/504
 D920,793 S * 6/2021 Hawry D9/503
 D934,036 S * 10/2021 Jenkins D9/504
 2003/0046798 A1 3/2003 Valles Camps et al.
 2011/0006060 A1 1/2011 Lin
 2013/0248531 A1 9/2013 Lane
 2017/0127859 A1 5/2017 Hornung et al.

OTHER PUBLICATIONS

AU 201913348, "First Examination Report," dated Jul. 23, 2019, 3 pages.
 VN3-2019-01533, "Office Action," dated Sep. 9, 2019, 1 page.
 U.S. Appl. No. 29/673,625, "Notice of Allowance," dated Feb. 24, 2020, 9 pages.

* cited by examiner

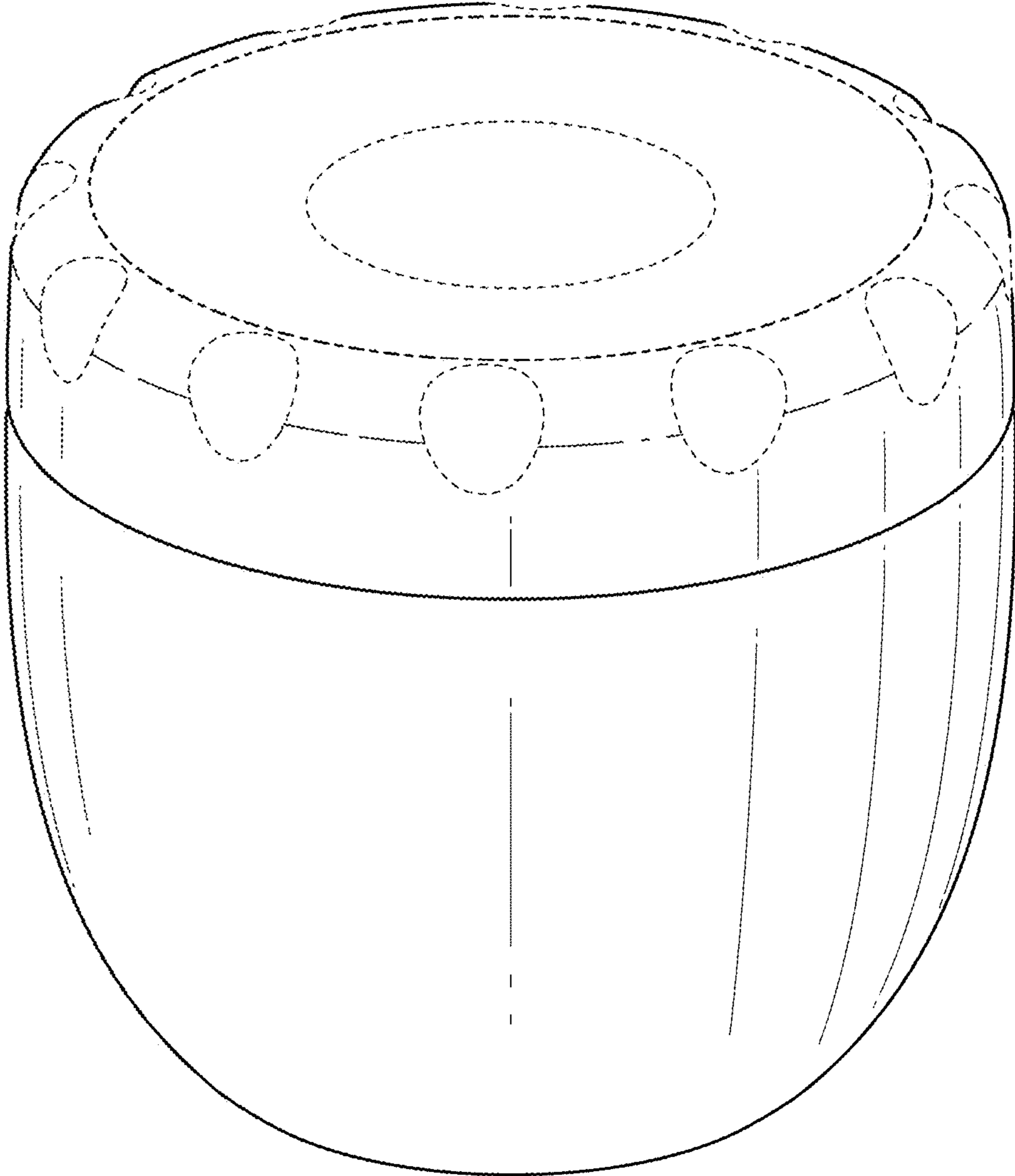


FIG. 1

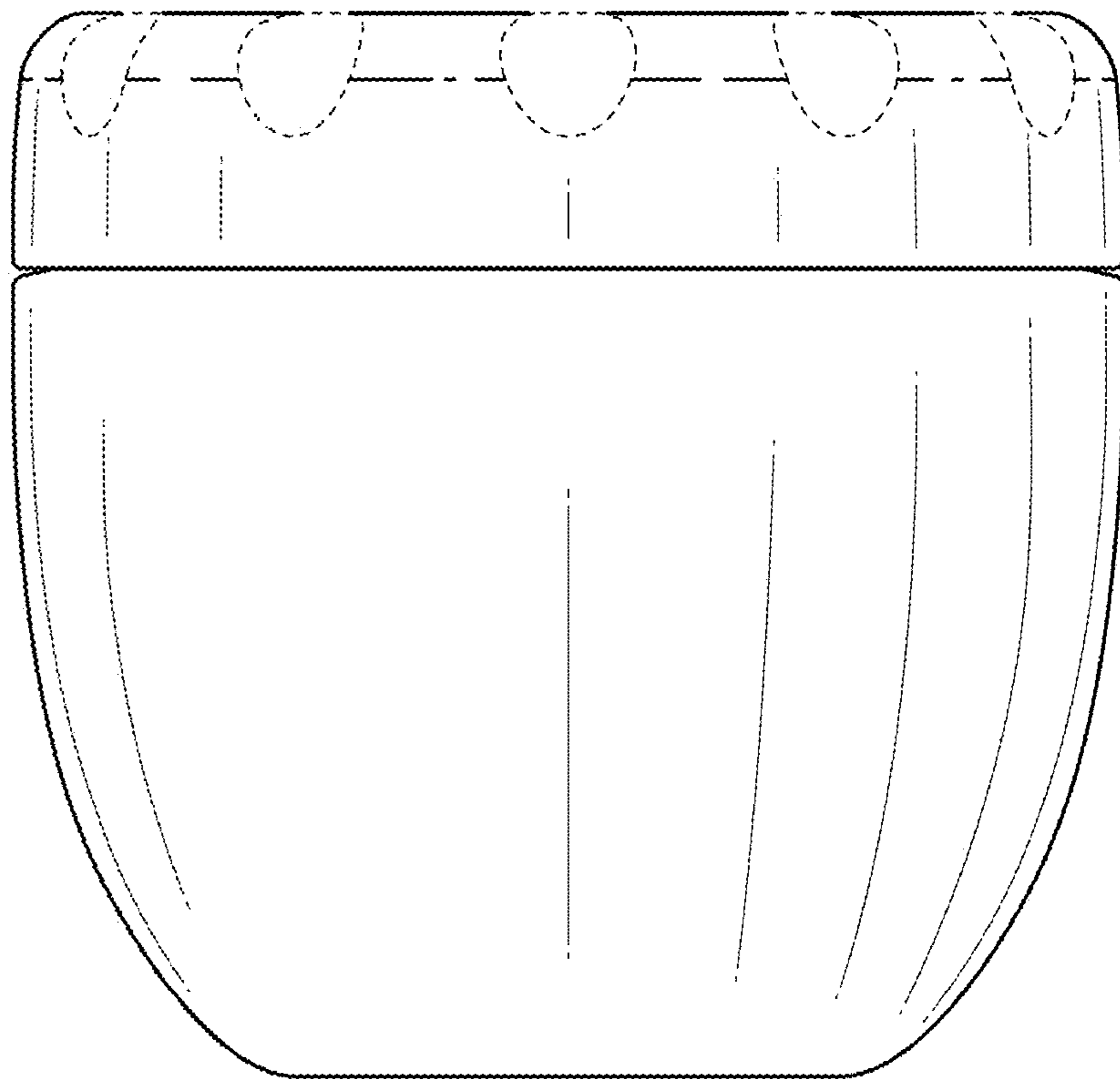


FIG. 2

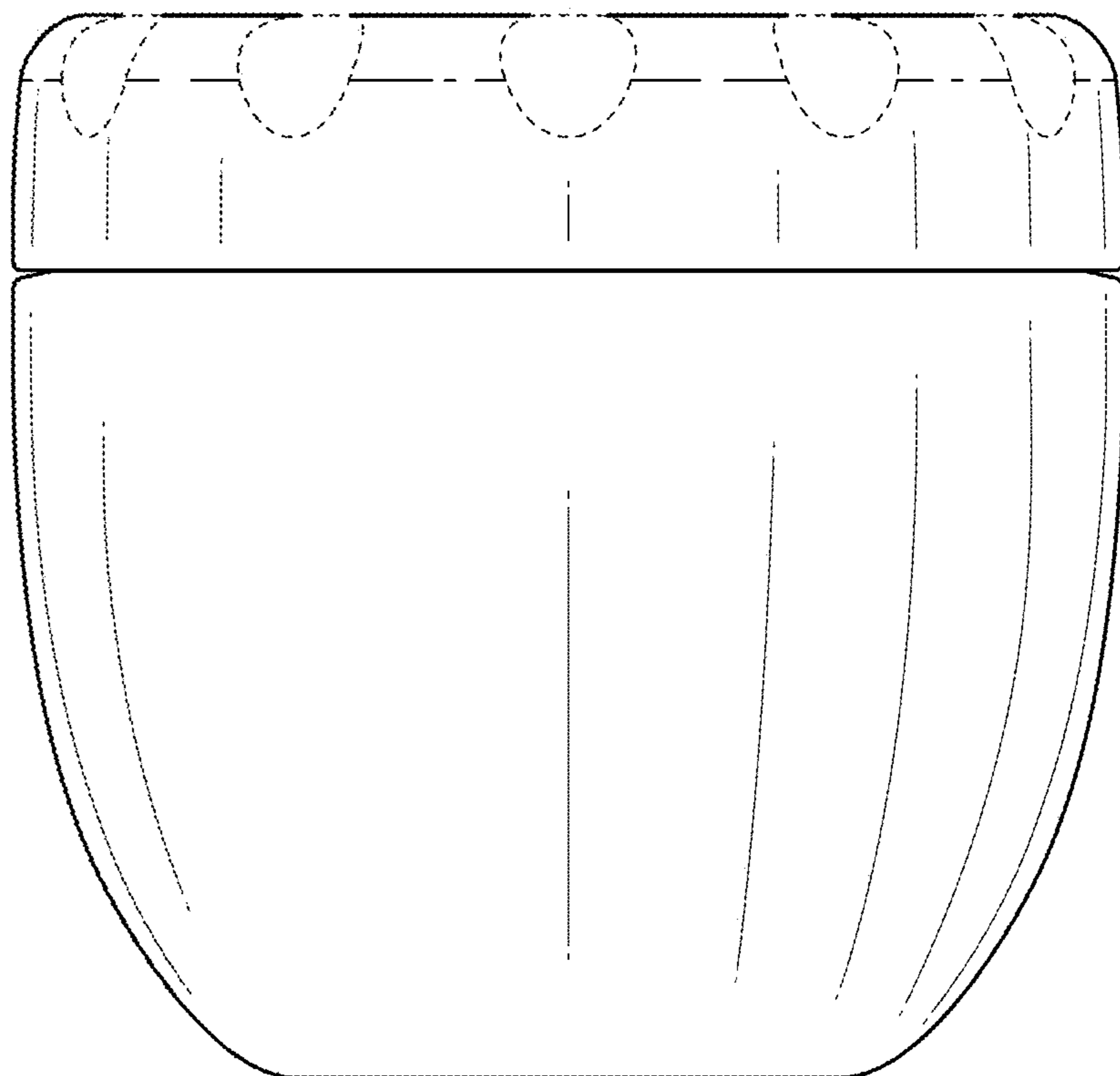


FIG. 3

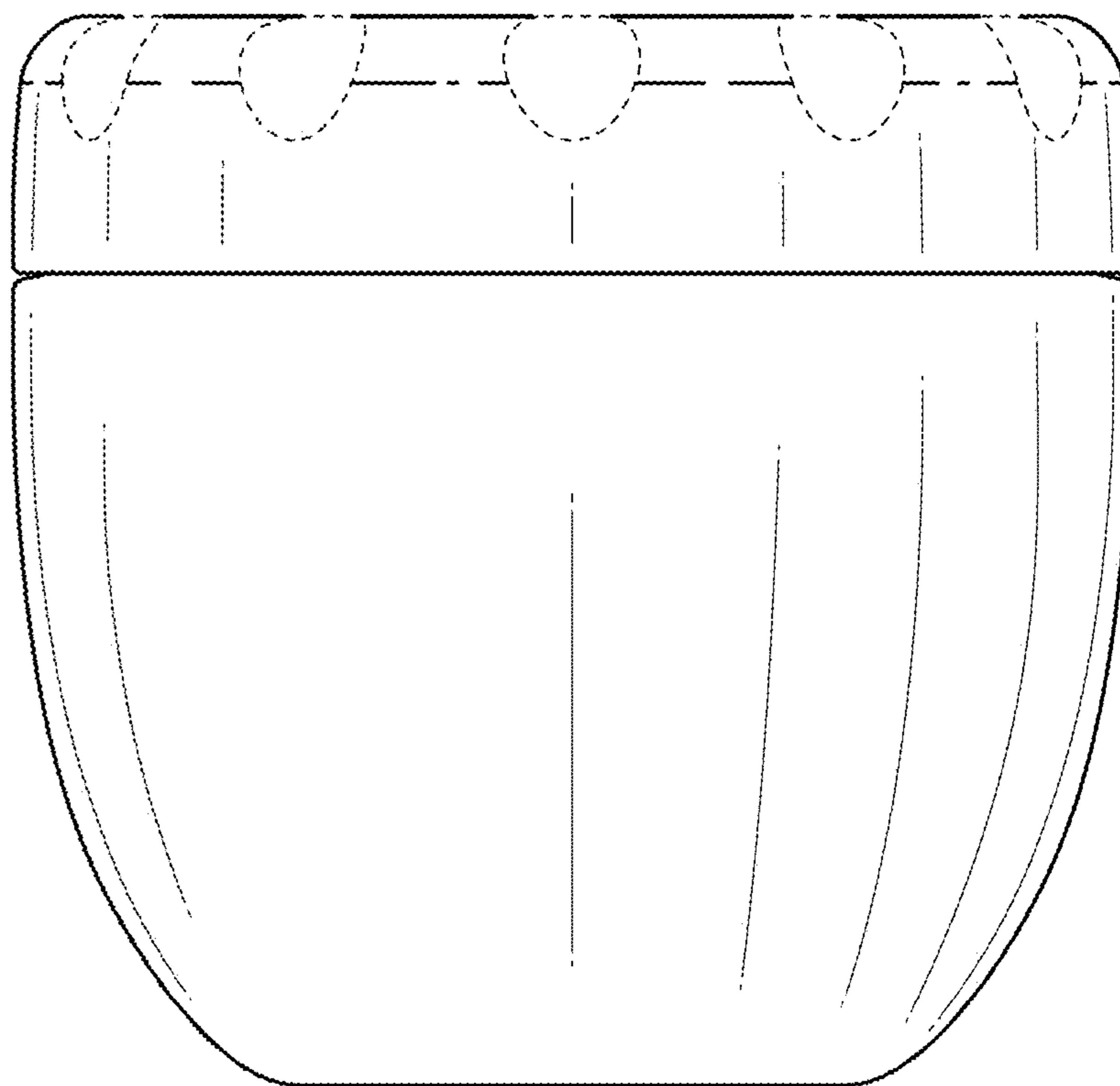


FIG. 4

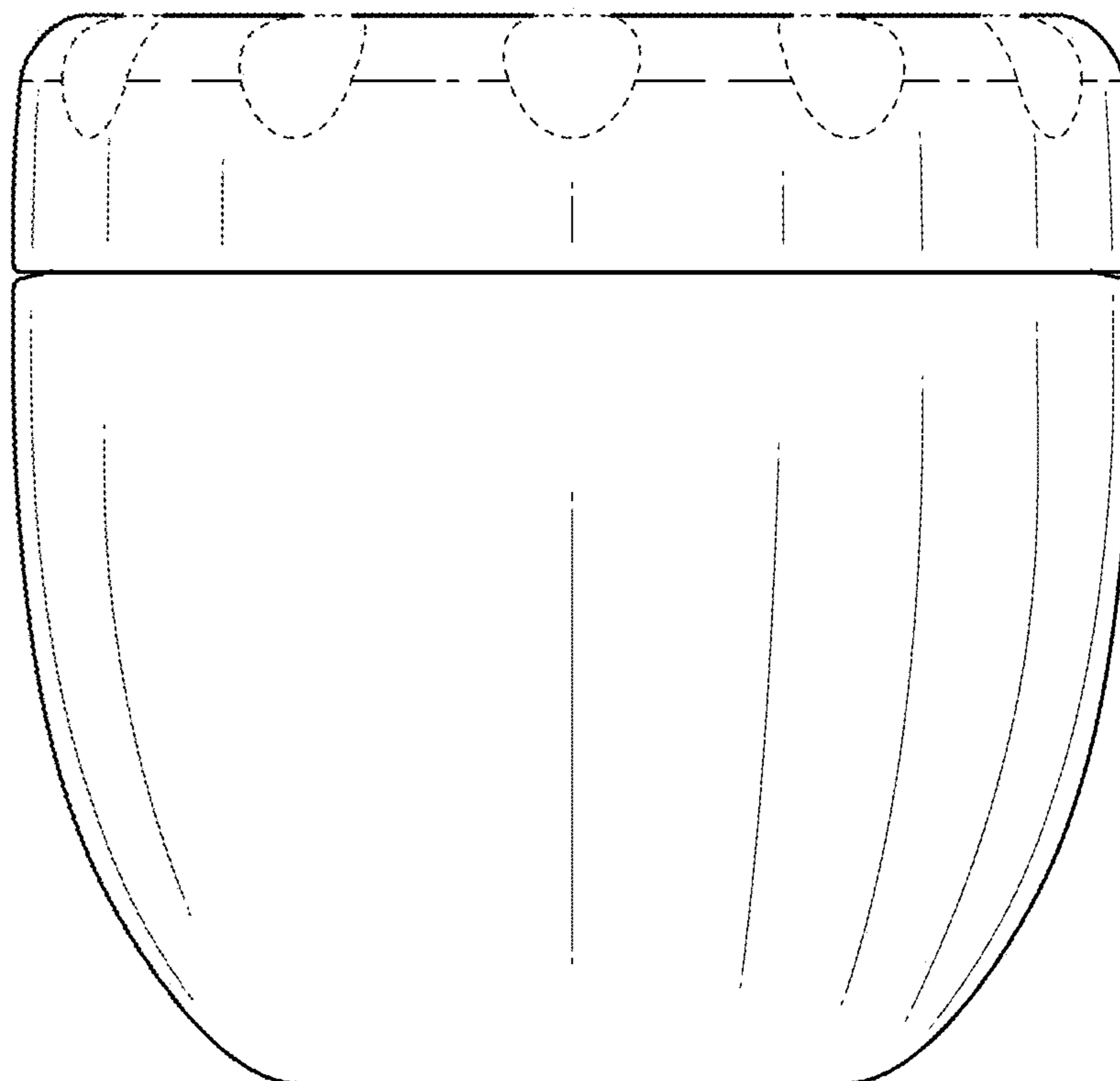


FIG. 5

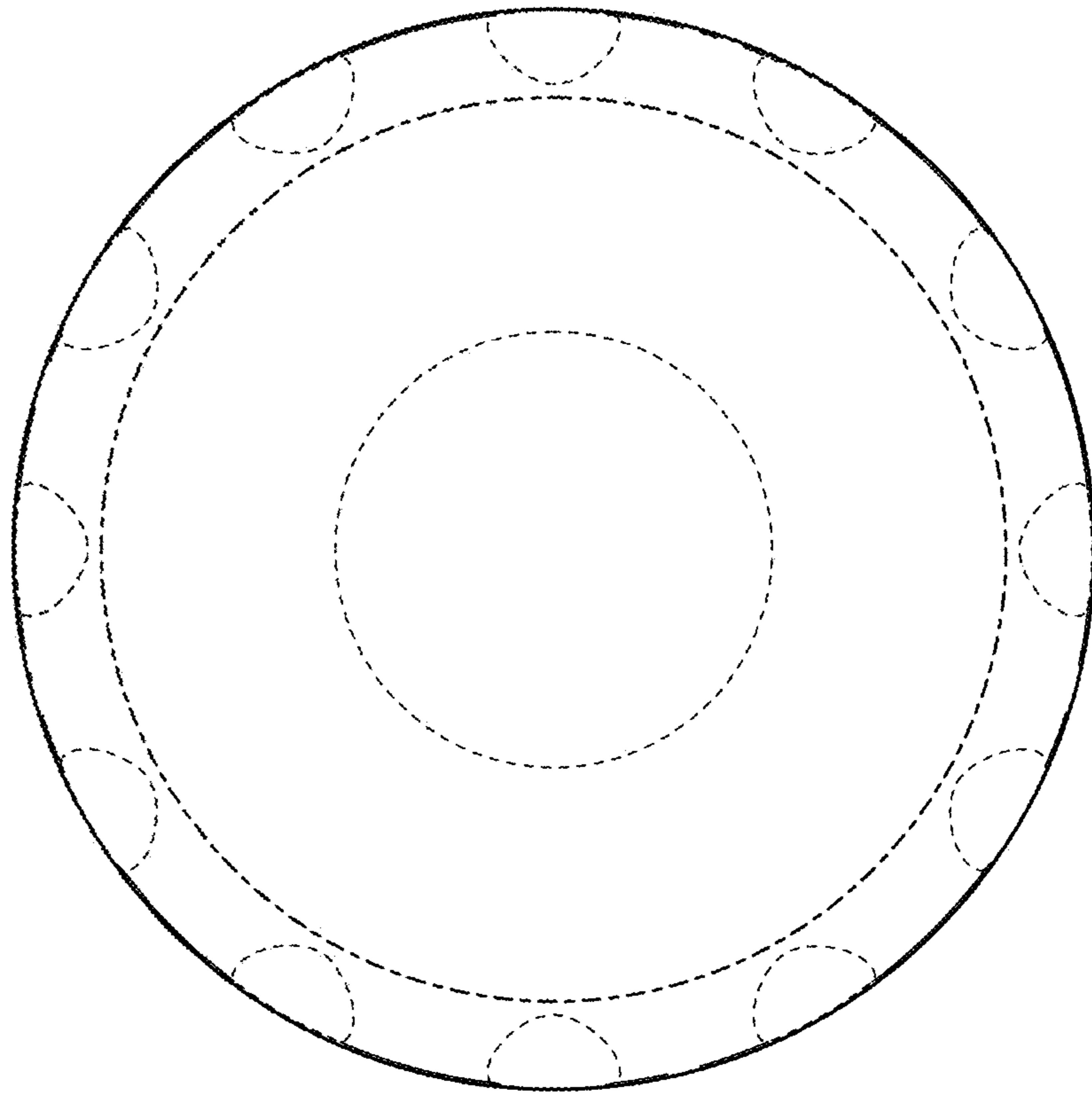


FIG. 6

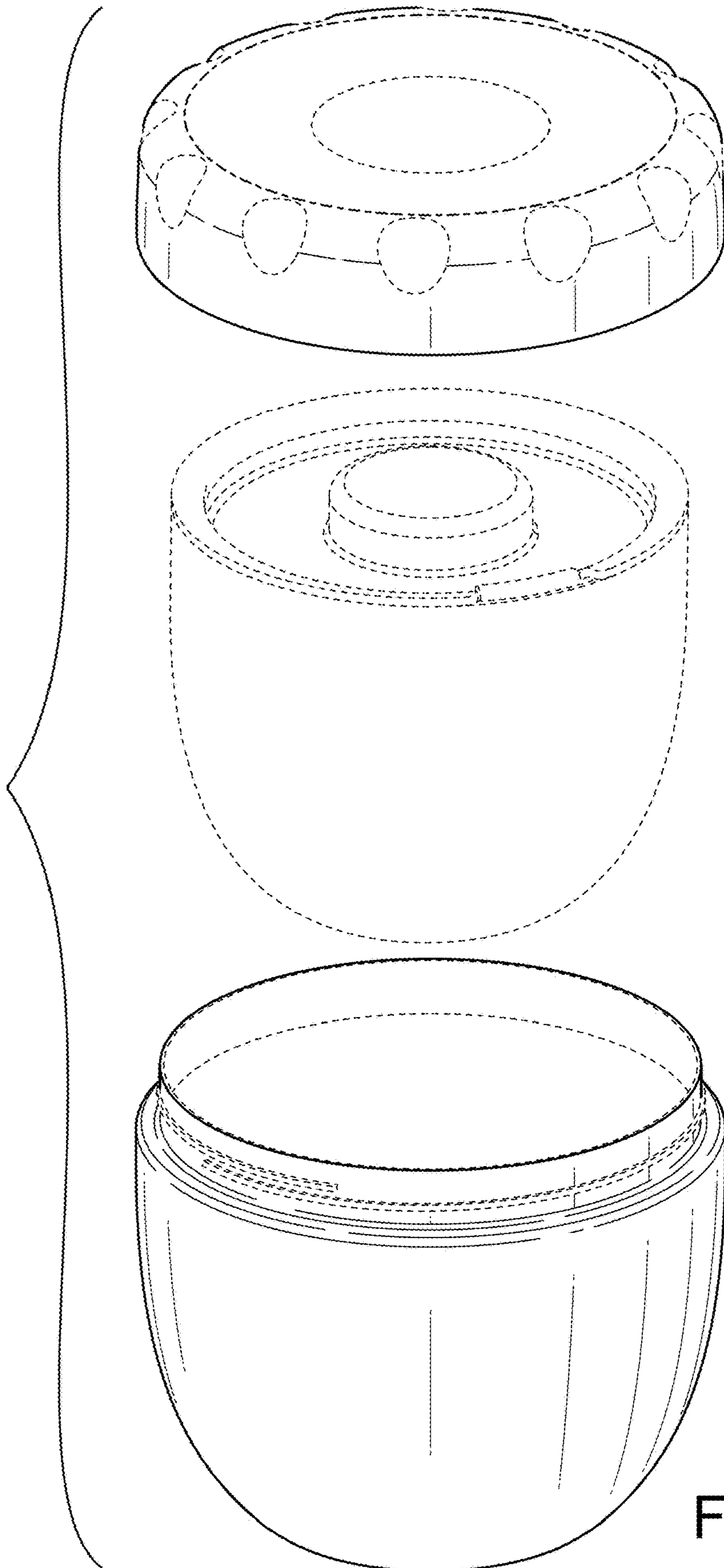


FIG. 7