



US00D964113S

(12) **United States Design Patent** (10) **Patent No.:** **US D964,113 S**  
**Clarke** (45) **Date of Patent:** **\*\* Sep. 20, 2022**

(54) **MOUNT UNDER BENCH/BLEACHER CUP HOLDER**  
(71) Applicant: **Christopher Clarke**, Park Ridge, IL (US)  
(72) Inventor: **Christopher Clarke**, Park Ridge, IL (US)  
(\*\*) Term: **15 Years**  
(21) Appl. No.: **29/748,115**  
(22) Filed: **Aug. 27, 2020**  
(51) **LOC (13) Cl.** ..... **07-09**  
(52) **U.S. Cl.**  
USPC ..... **D7/620**  
(58) **Field of Classification Search**  
USPC ..... D7/300, 313, 316, 387, 507, 509, 510, D7/511, 552.1, 601, 602, 605, 606, 607, D7/608, 619.1, 620, 622, 624.1, 624.2, D7/701, 704; D12/114, 411, 415, 417, D12/419, 420, 436  
CPC .... A45F 3/16; A45F 2200/0583; A47C 7/622; A47C 29/18; A47G 19/2205; A47G 23/16; A47G 19/2272; A47G 19/2288; A47G 19/23; A47G 23/02; A47G 23/0216; A47G 23/0266; A47G 23/0241; A47G 23/0225; A47J 41/00; A47J 43/00; A47J 47/00; A47J 47/02; A47J 47/08; B65D 1/265; B65D 3/22; B65D 81/3865; B65D 81/3453  
See application file for complete search history.

(56) **References Cited**  
U.S. PATENT DOCUMENTS  
D346,996 S \* 5/1994 Blackburn ..... D12/411  
D376,072 S \* 12/1996 Joergensen ..... D7/620  
D377,439 S \* 1/1997 Ayotte ..... D7/620  
D380,125 S \* 6/1997 Ayotte ..... D7/620

D380,652 S \* 7/1997 Ayotte ..... D7/620  
D404,975 S \* 2/1999 Fegan ..... D7/620  
D429,969 S \* 8/2000 Frankel ..... D7/620  
D542,602 S \* 5/2007 Morford ..... D7/620  
D600,077 S \* 9/2009 Barnes, Jr. .... F16M 13/02 D7/620  
D623,118 S \* 9/2010 Lindloff ..... D12/411  
D754,001 S \* 4/2016 Barrier ..... D9/434  
D775,058 S \* 12/2016 Overman ..... D12/411  
D777,020 S \* 1/2017 Zlatic ..... D8/394  
D837,614 S \* 1/2019 Nichols ..... D7/620  
D868,547 S \* 12/2019 Moore ..... A47G 23/0225 D7/619.1  
10,932,601 B1 \* 3/2021 Fan ..... F16M 13/02  
2006/0284040 A1 \* 12/2006 Nixon ..... B62J 11/04 248/215  
2011/0079696 A1 \* 4/2011 Hofferber ..... A47G 23/0225 248/313  
2021/0401182 A1 \* 12/2021 Clarke ..... A47C 7/622

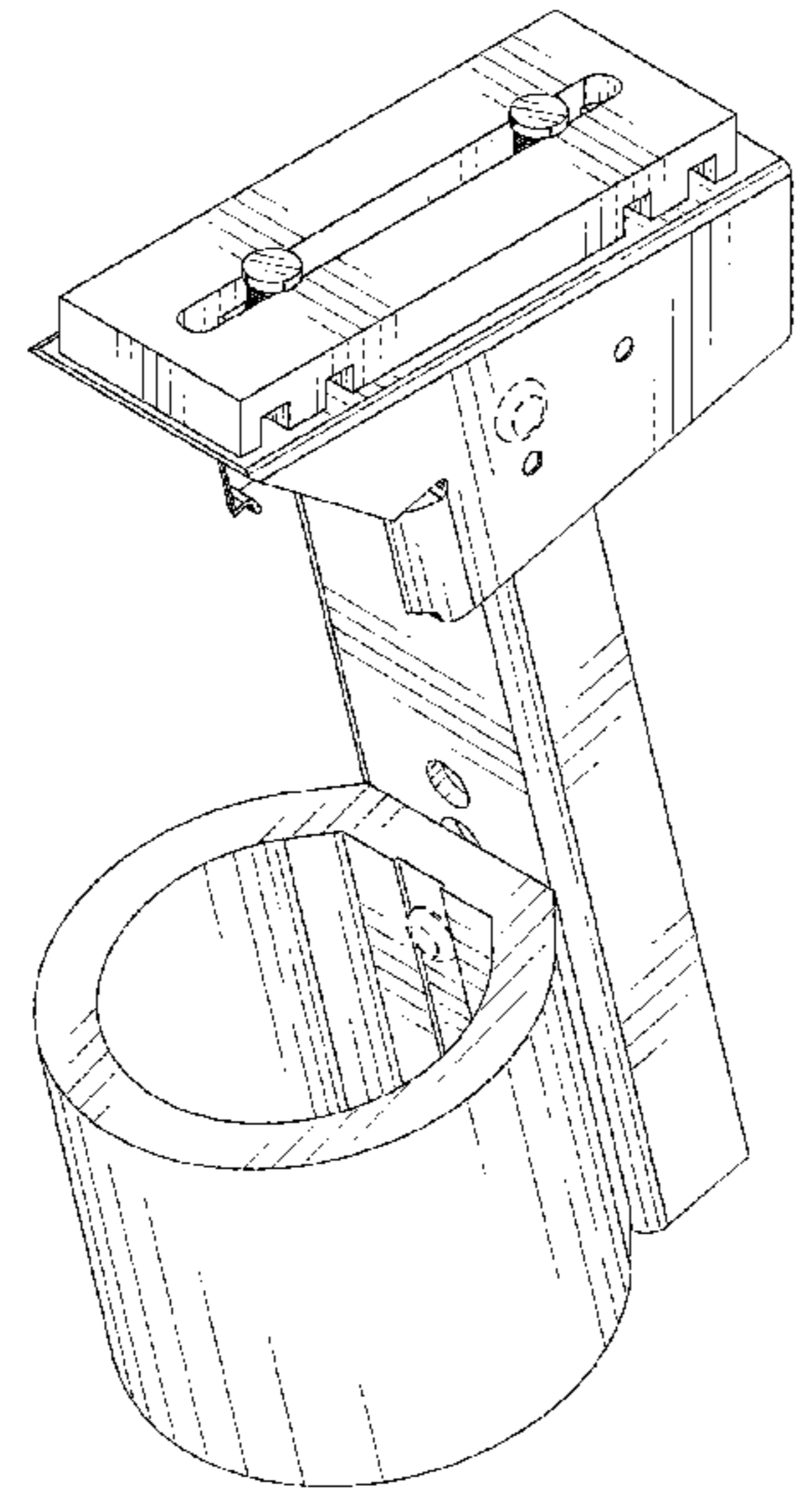
\* cited by examiner

*Primary Examiner* — Joseph Kukella  
*Assistant Examiner* — Darryl J Dardenne

(57) **CLAIM**  
The ornamental design for a mount under bench/bleacher cup holder, as shown and described.

**DESCRIPTION**  
FIG. 1 is a front perspective view of a mount under bench/bleacher cup holder showing my new design; FIG. 2 is a left side elevational view thereof; FIG. 3 is a front elevational view thereof; FIG. 4 is a rear elevational view thereof; FIG. 5 is a right side elevational view thereof; FIG. 6 is a top plan view thereof; and, FIG. 7 is a bottom plan view thereof.  
The broken lines showing the mount under bench/bleacher cup holder in FIGS. 1-3 and FIG. 5 are included for the purpose of showing environmental structure and form no part of the claimed design.

**1 Claim, 7 Drawing Sheets**



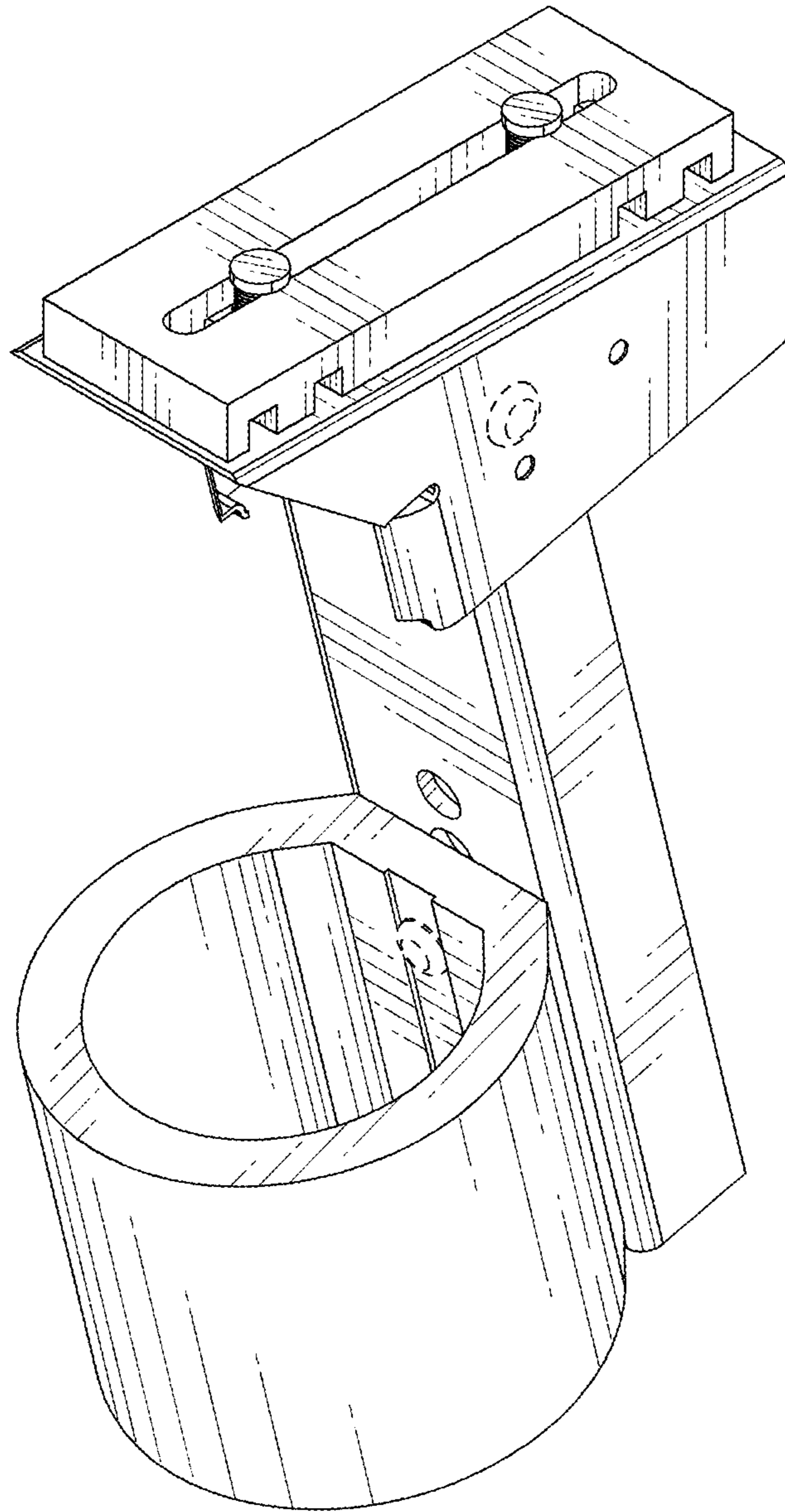


FIG.1

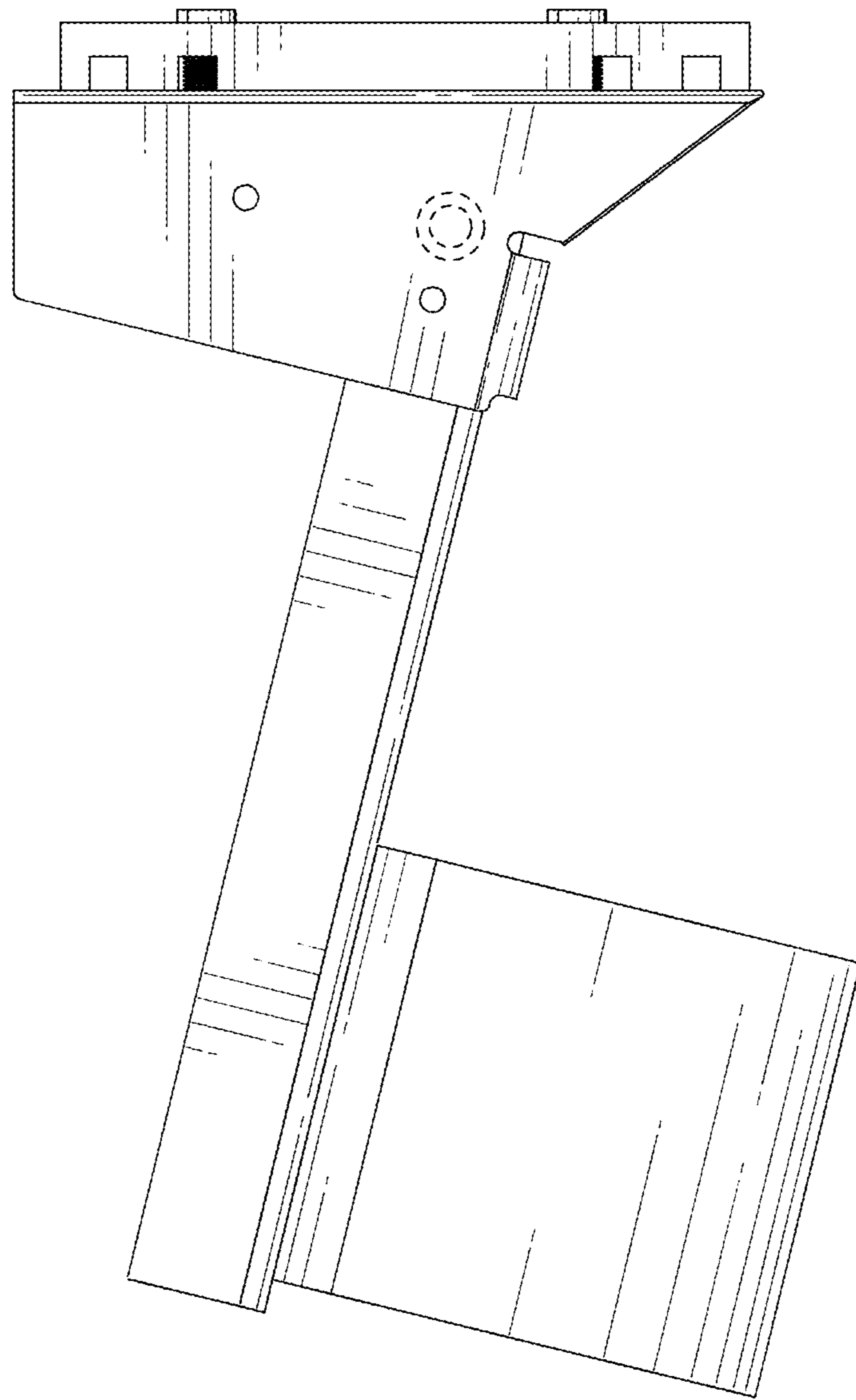


FIG.2

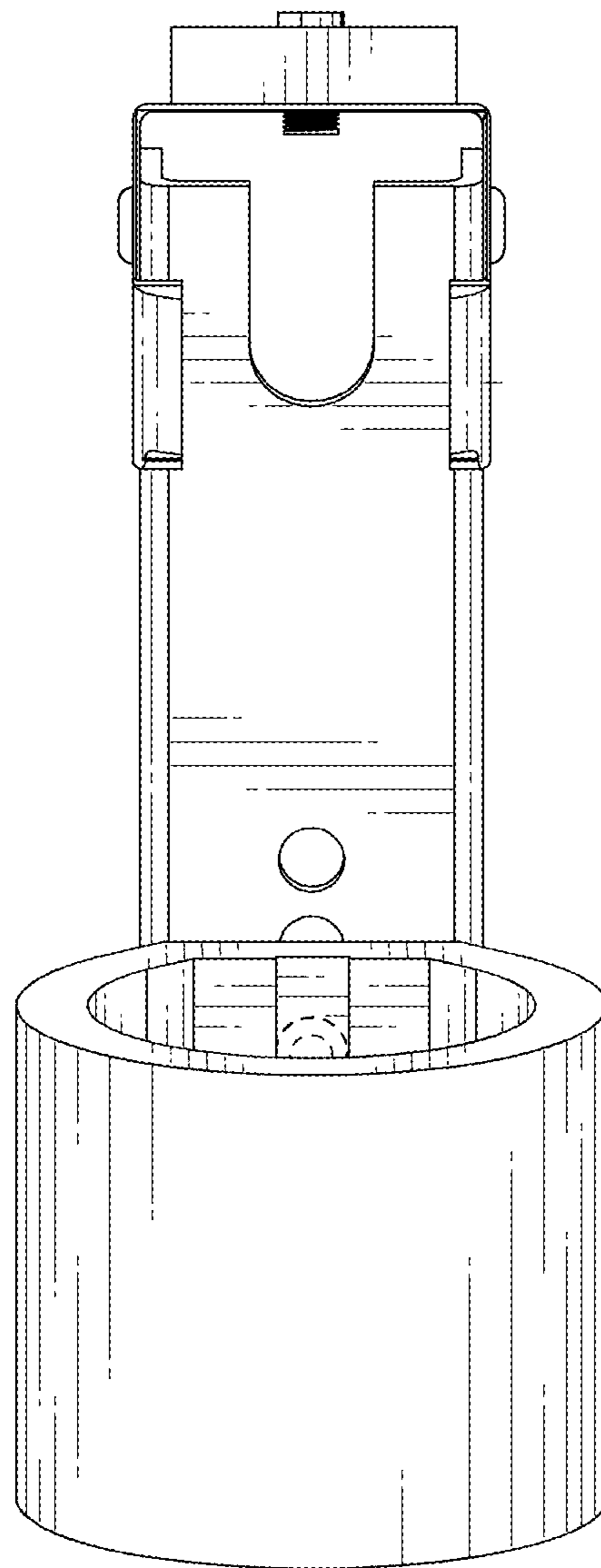


FIG.3

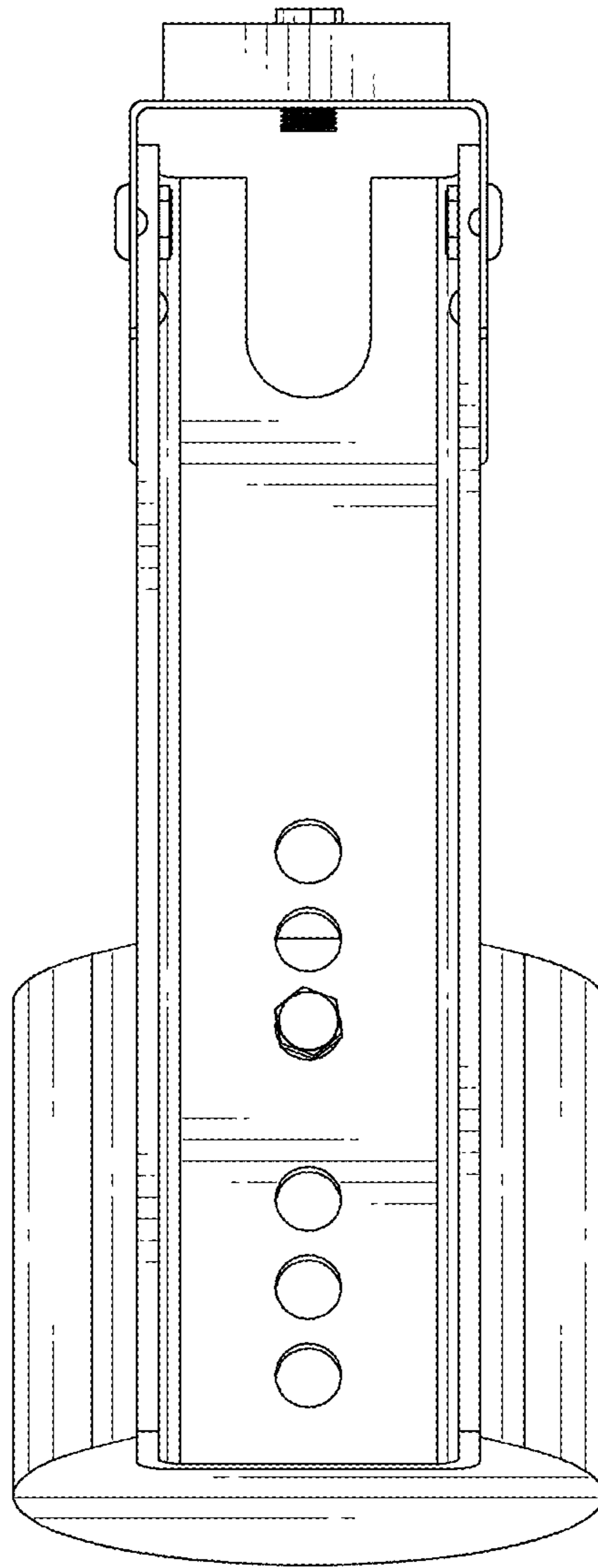


FIG.4

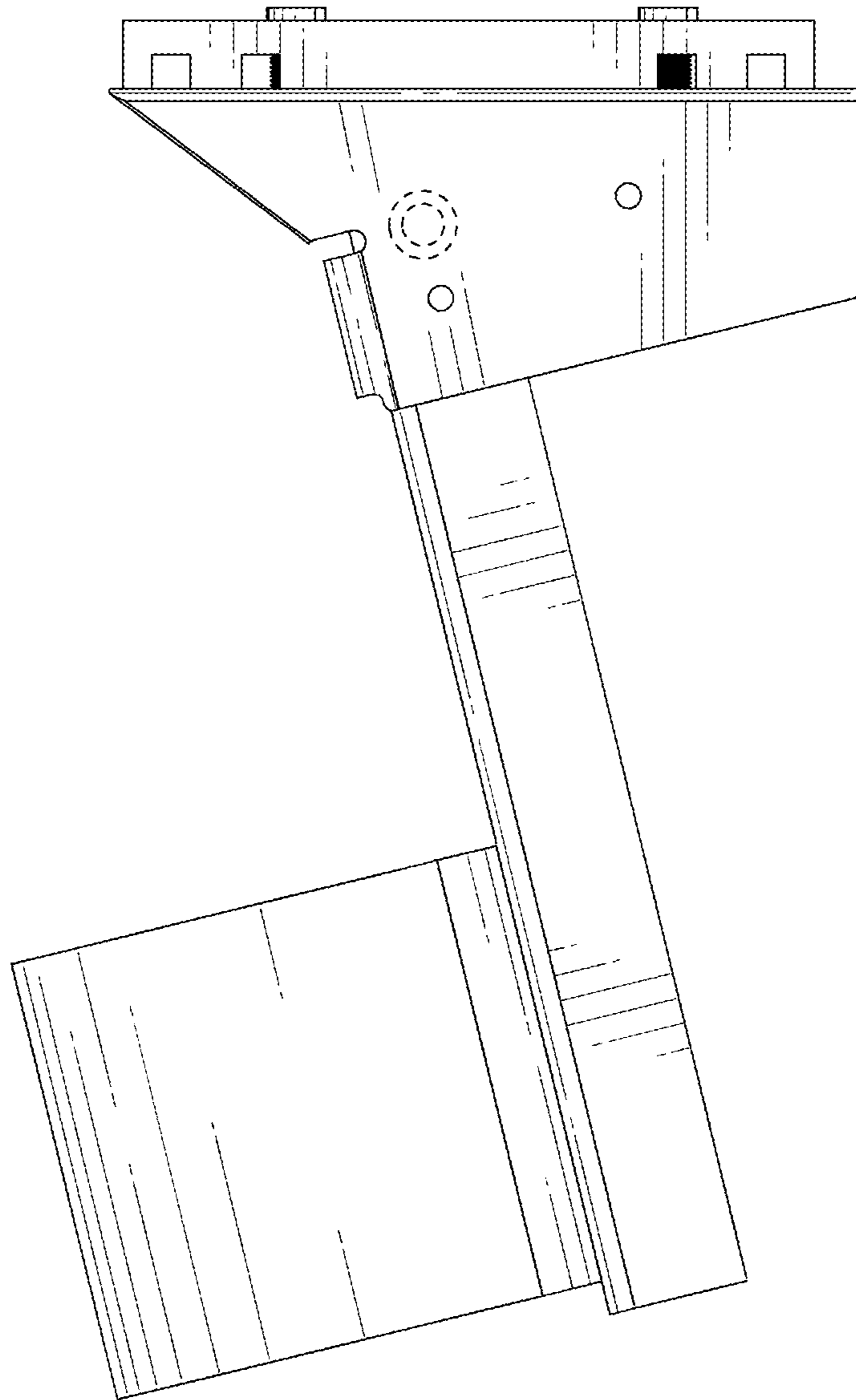


FIG.5



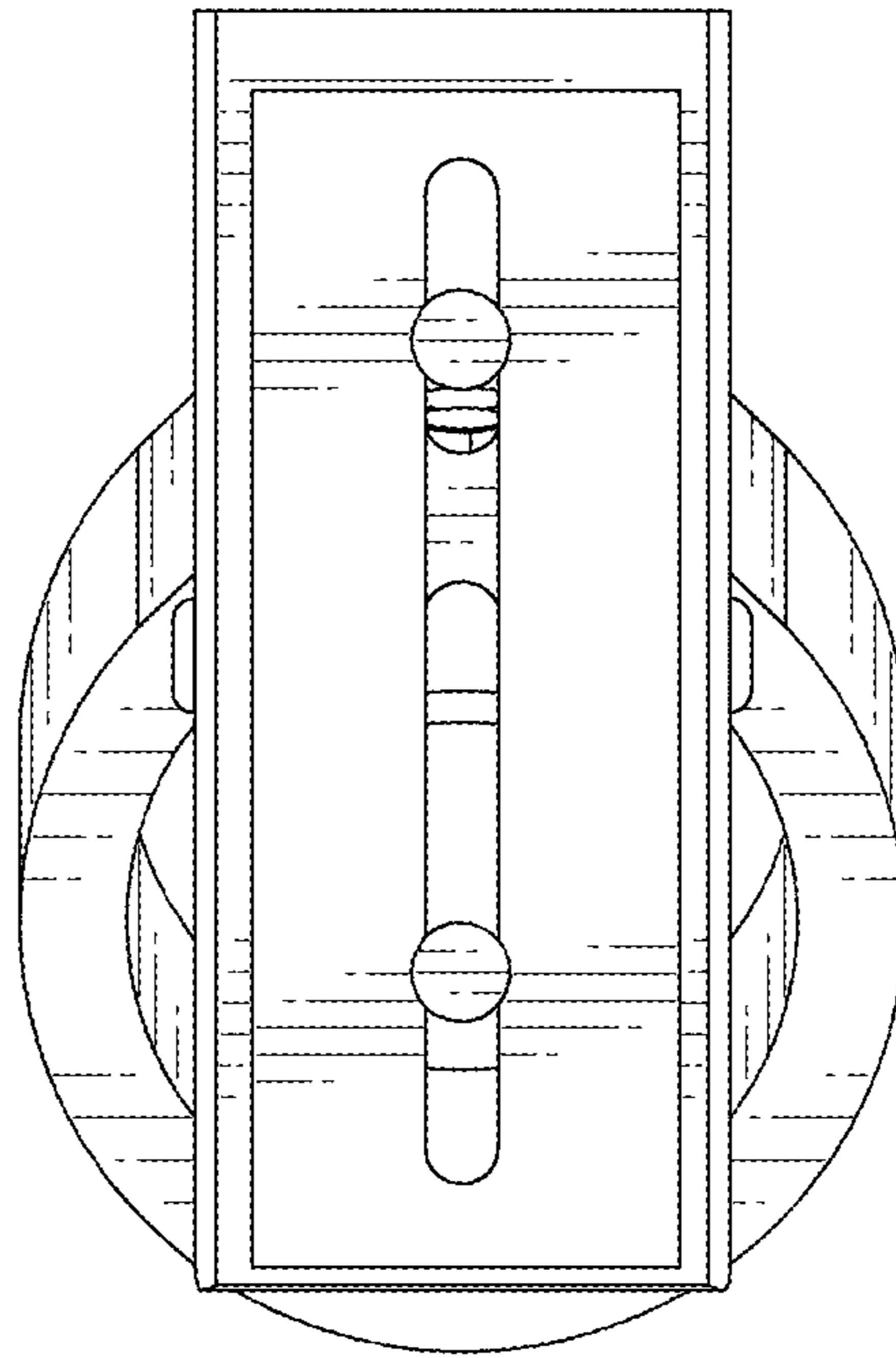


FIG.6

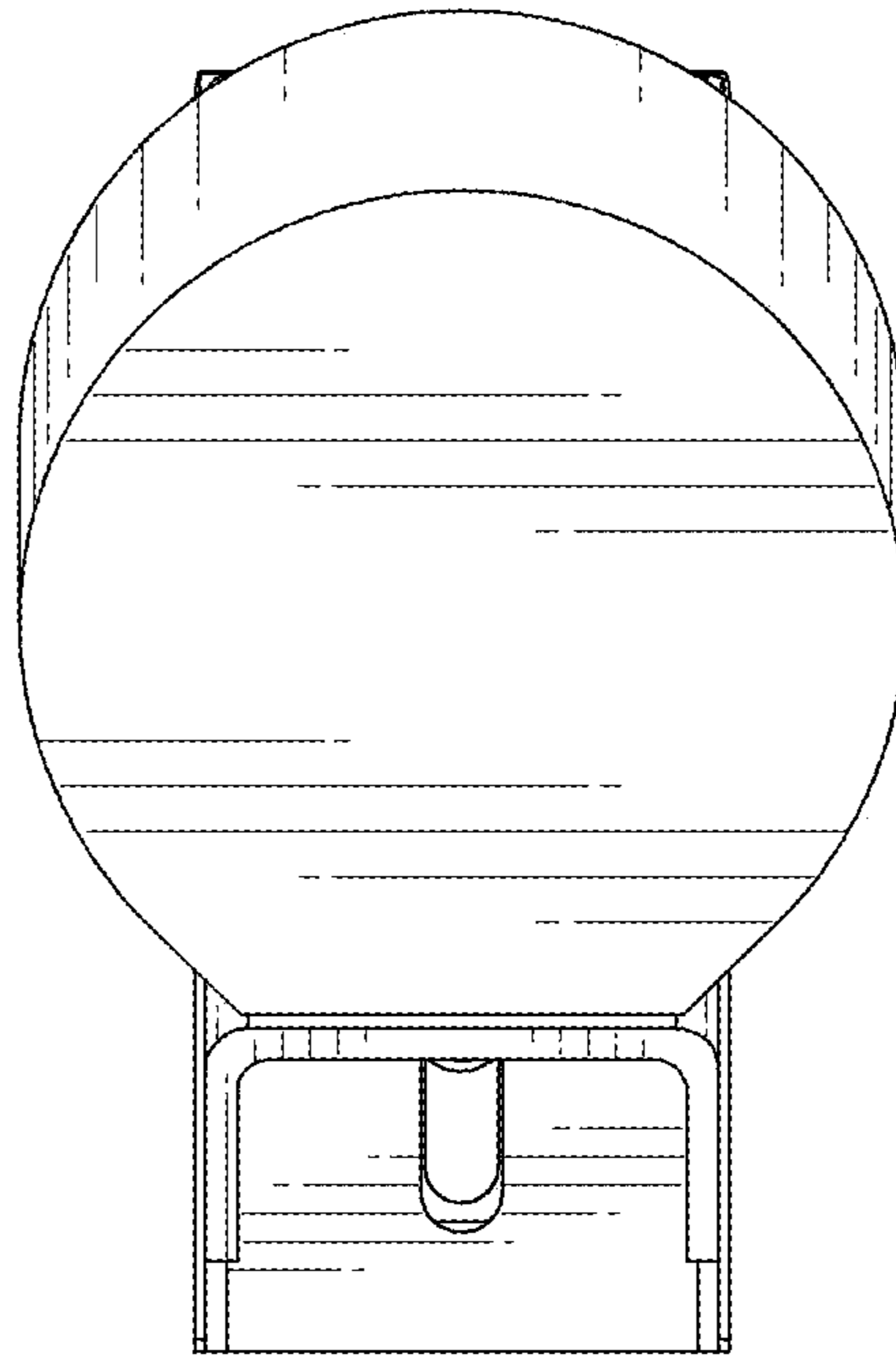


FIG.7