



US00D964111S

(12) **United States Design Patent**
Kim et al.

(10) **Patent No.:** **US D964,111 S**

(45) **Date of Patent:** **** Sep. 20, 2022**

(54) **COOL-HOT STORAGE DEVICE**

(71) Applicant: **LG ELECTRONICS INC.**, Seoul (KR)

(72) Inventors: **Jongho Kim**, Seoul (KR); **Kyoungju Ryu**, Seoul (KR); **Byungsoo Kim**, Seoul (KR); **Dana Jung**, Seoul (KR); **Suyoung Lee**, Seoul (KR); **Hwayun Choi**, Seoul (KR)

(73) Assignee: **LG ELECTRONICS INC.**, Seoul (KR)

(**) Term: **15 Years**

(21) Appl. No.: **29/728,114**

(22) Filed: **Mar. 16, 2020**

(30) **Foreign Application Priority Data**

Sep. 26, 2019 (KR) 30-2019-0046342

(51) **LOC (13) Cl.** **07-07**

(52) **U.S. Cl.**
USPC **D7/609**

(58) **Field of Classification Search**

USPC D7/601-603, 605, 759-761, 629-630, D7/637, 368, 392.1, 555, 708.1, 306, 348, D7/350.1, 350.4, 417, 697, 609; D9/414-416, 418, 420, 424-425, D9/430-432; D3/294, 304, 309, 312; D15/79-91

CPC B65D 1/26; B65D 1/40; B65D 81/34
See application file for complete search history.

(56) **References Cited**

U.S. PATENT DOCUMENTS

D253,271 S * 10/1979 Rakocy D7/350.4
D292,469 S * 10/1987 Nakagawa D7/350.4

D556,792 S * 12/2007 Moran D6/661
D568,909 S * 5/2008 Santiago D15/81
D605,625 S * 12/2009 Skurdal D14/171

(Continued)

FOREIGN PATENT DOCUMENTS

CN 306758038 * 8/2021
CN 306818117 * 9/2021
JP D1447829 * 8/2012

OTHER PUBLICATIONS

Breakfast Machine, Ellie Zeng, trendhunter.com, published by Michael Hemsworth on Apr. 18, 2017 © 2021 Trend Hunter, Inc., online, site visited Nov. 26, 2021. Available from Internet, URL: <https://www.trendhunter.com/trends/breakfast-kitchen-appliance> (Year: 2017).*

Primary Examiner — Sandra Snapp

Assistant Examiner — Altaira J Swangin

(74) *Attorney, Agent, or Firm* — Birch, Stewart, Kolasch & Birch, LLP

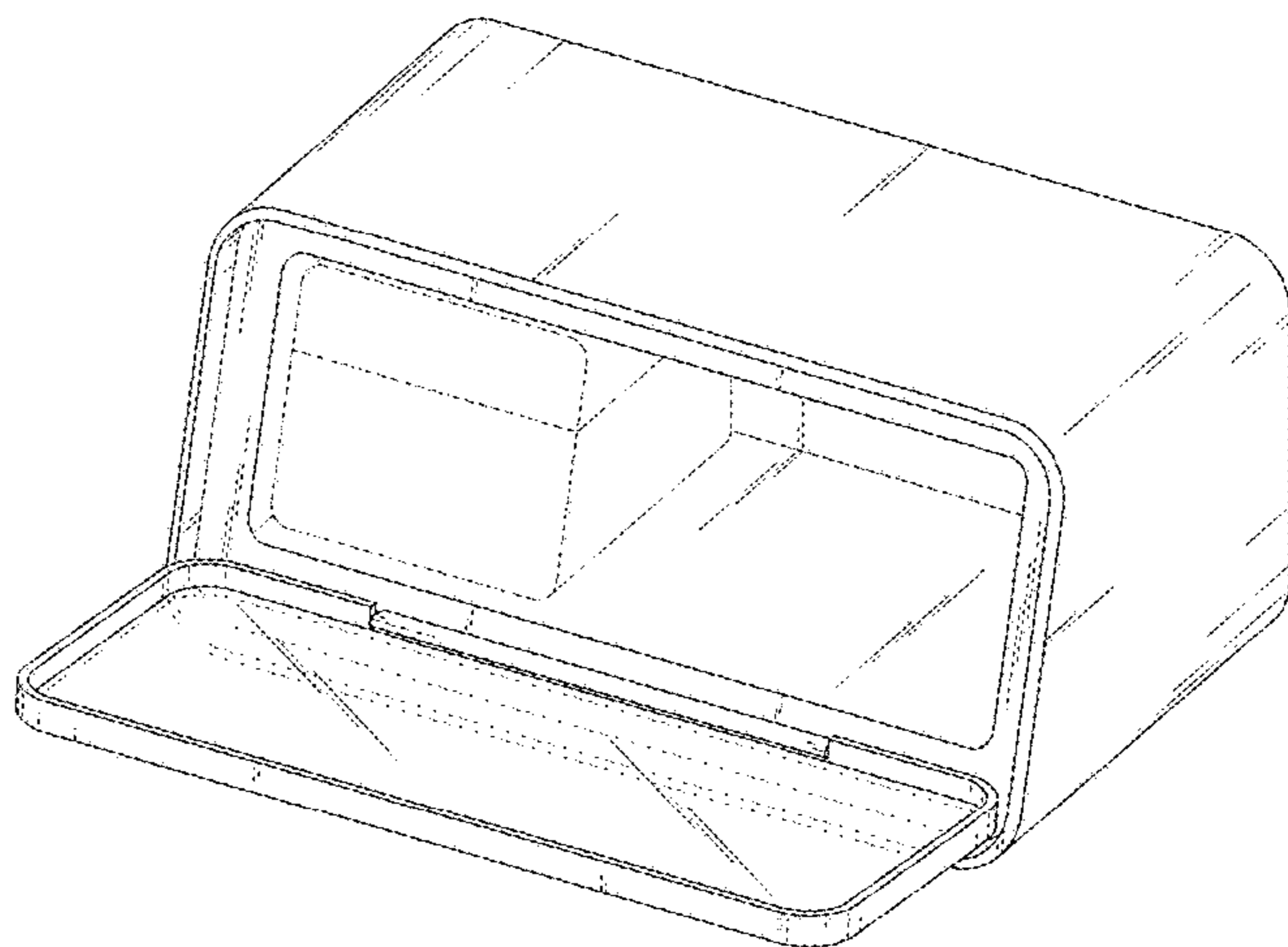
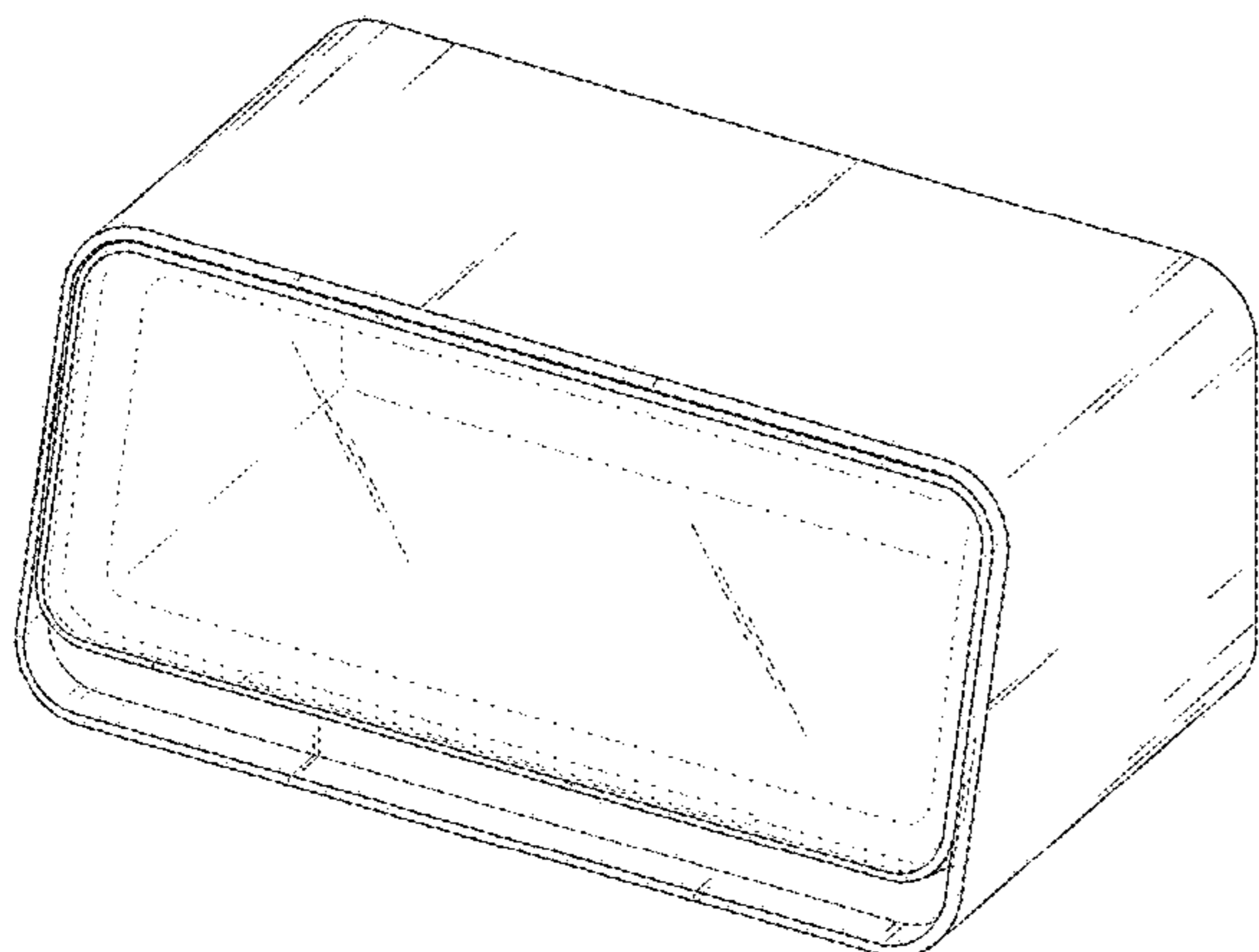
(57) **CLAIM**

We claim the ornamental design for a cool-hot storage device, as shown and described.

DESCRIPTION

FIG. 1 is a perspective view of a cool-hot storage device showing the new design;
FIG. 2 is a front elevation view thereof;
FIG. 3 is a rear elevation view thereof;
FIG. 4 is a left-side elevation view thereof;
FIG. 5 is a right-side elevation view thereof;
FIG. 6 is a top plan view thereof;
FIG. 7 is a bottom plan view thereof; and,
FIG. 8 is a perspective view showing a state of use thereof. The broken lines in FIG. 2 show portions of the cool-hot storage device and form no part of the claimed design. The broken lines shown in FIG. 8 show environment that forms no part of the claimed design.

1 Claim, 8 Drawing Sheets



(56)

References Cited

U.S. PATENT DOCUMENTS

D618,257 S * 6/2010 Hanamure D15/79
D631,687 S * 2/2011 Shin D7/350.1
D720,783 S * 1/2015 Yang D15/90
D745,576 S * 12/2015 Sherman D15/80
D795,216 S * 8/2017 Poandl D14/172
D825,280 S * 8/2018 Bradley D7/607
D842,638 S * 3/2019 Filinesi D7/348
D858,310 S * 9/2019 He D10/1
D867,408 S * 11/2019 Wang D15/79
D870,693 S * 12/2019 Yan D14/171
D895,696 S * 9/2020 Buter D15/89
D915,797 S * 4/2021 Ding Yik Ming D6/668.2
D920,743 S * 6/2021 Meda D7/605
D921,706 S * 6/2021 Yeo F25B 21/02
D15/79
D923,490 S * 6/2021 Wolos D10/2
D924,604 S * 7/2021 Moon D6/661
D928,206 S * 8/2021 Yeo F25B 21/02
D15/79
D929,241 S * 8/2021 Yu D10/2
D931,031 S * 9/2021 Fung D7/350.1
D931,902 S * 9/2021 Moore D14/496
D935,722 S * 11/2021 Kang D32/59
D937,910 S * 12/2021 Huang D15/81
D940,209 S * 1/2022 Kong D15/81
D941,074 S * 1/2022 Lavins D7/328
D941,075 S * 1/2022 Lavins D7/328

* cited by examiner

FIG. 1

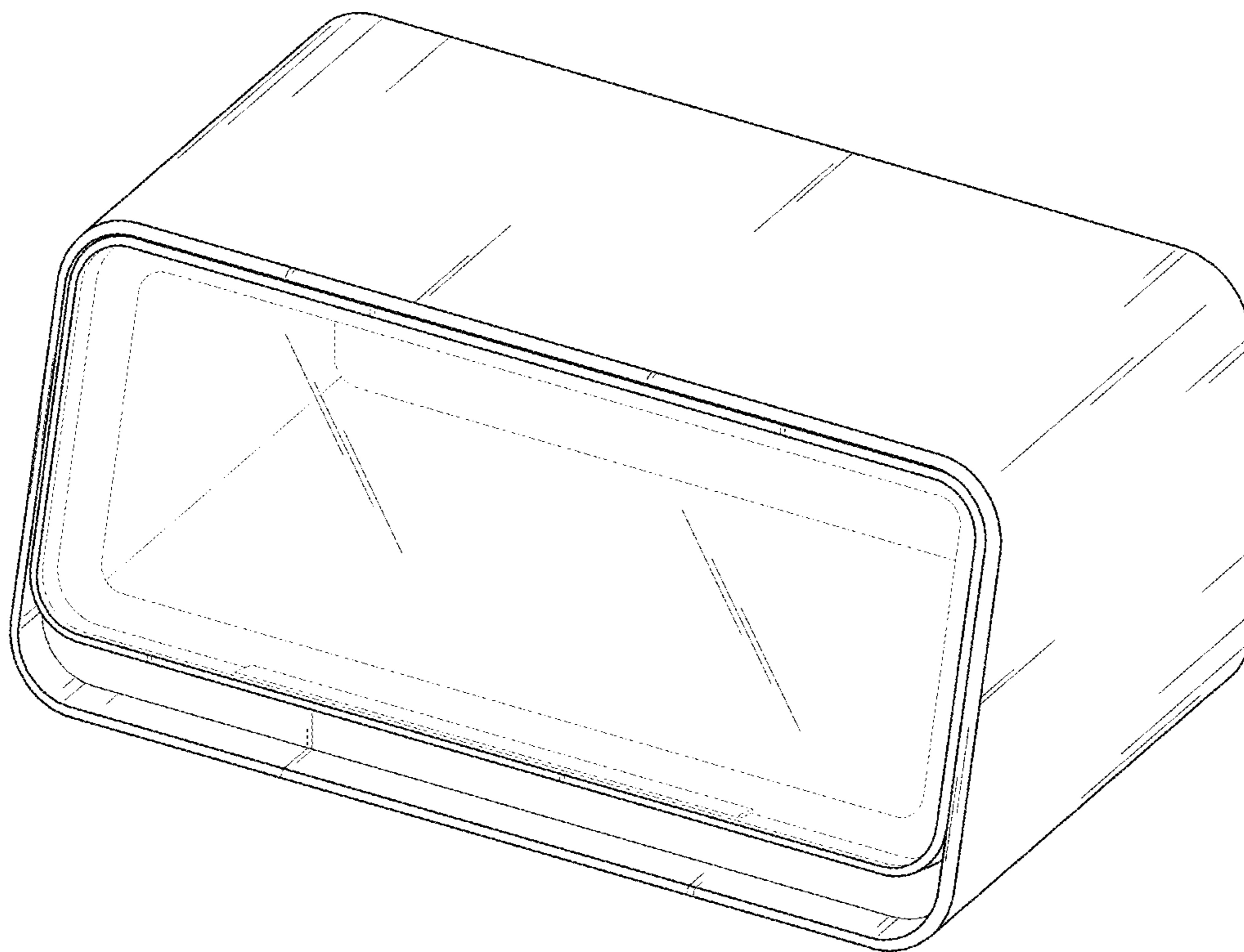


FIG. 2

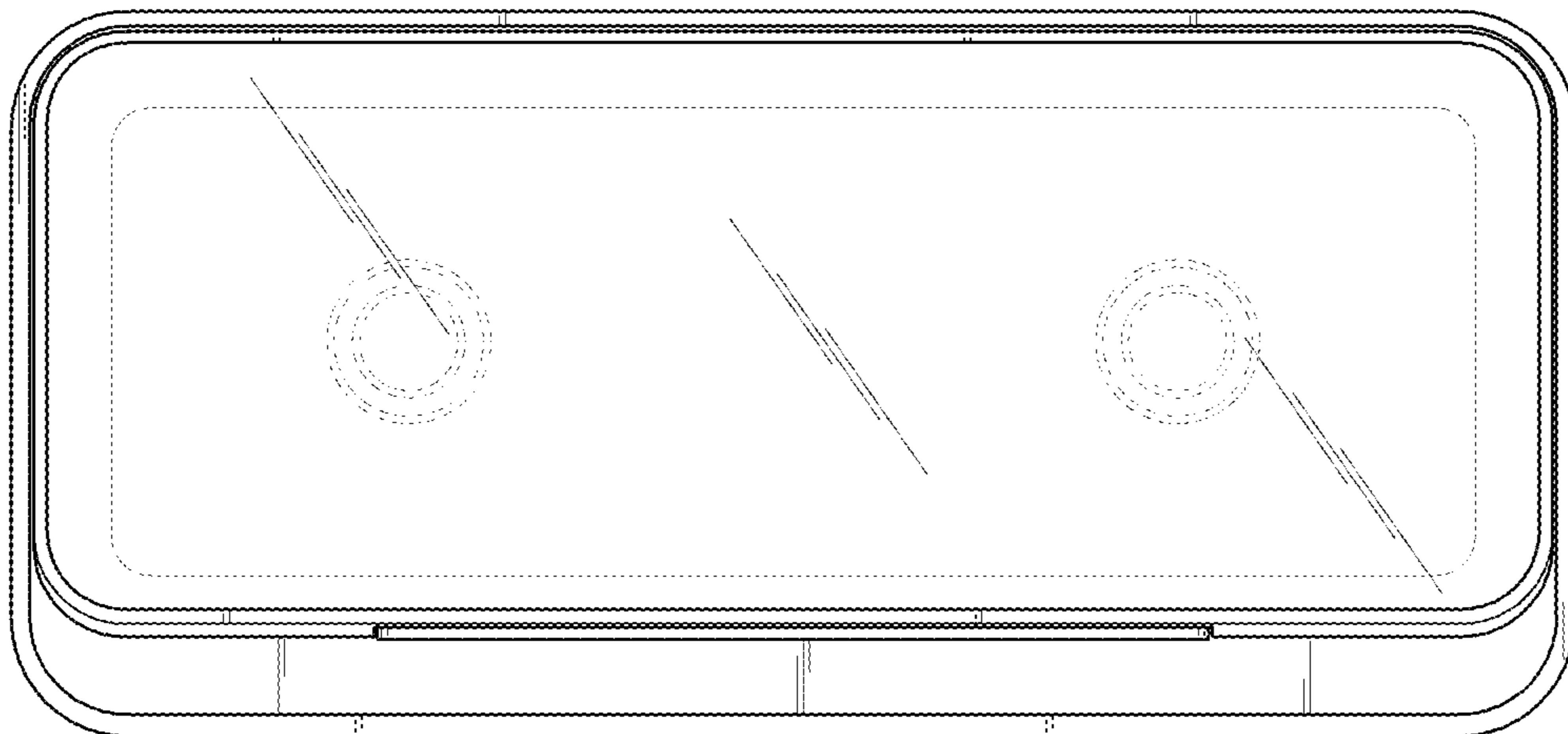


FIG. 3

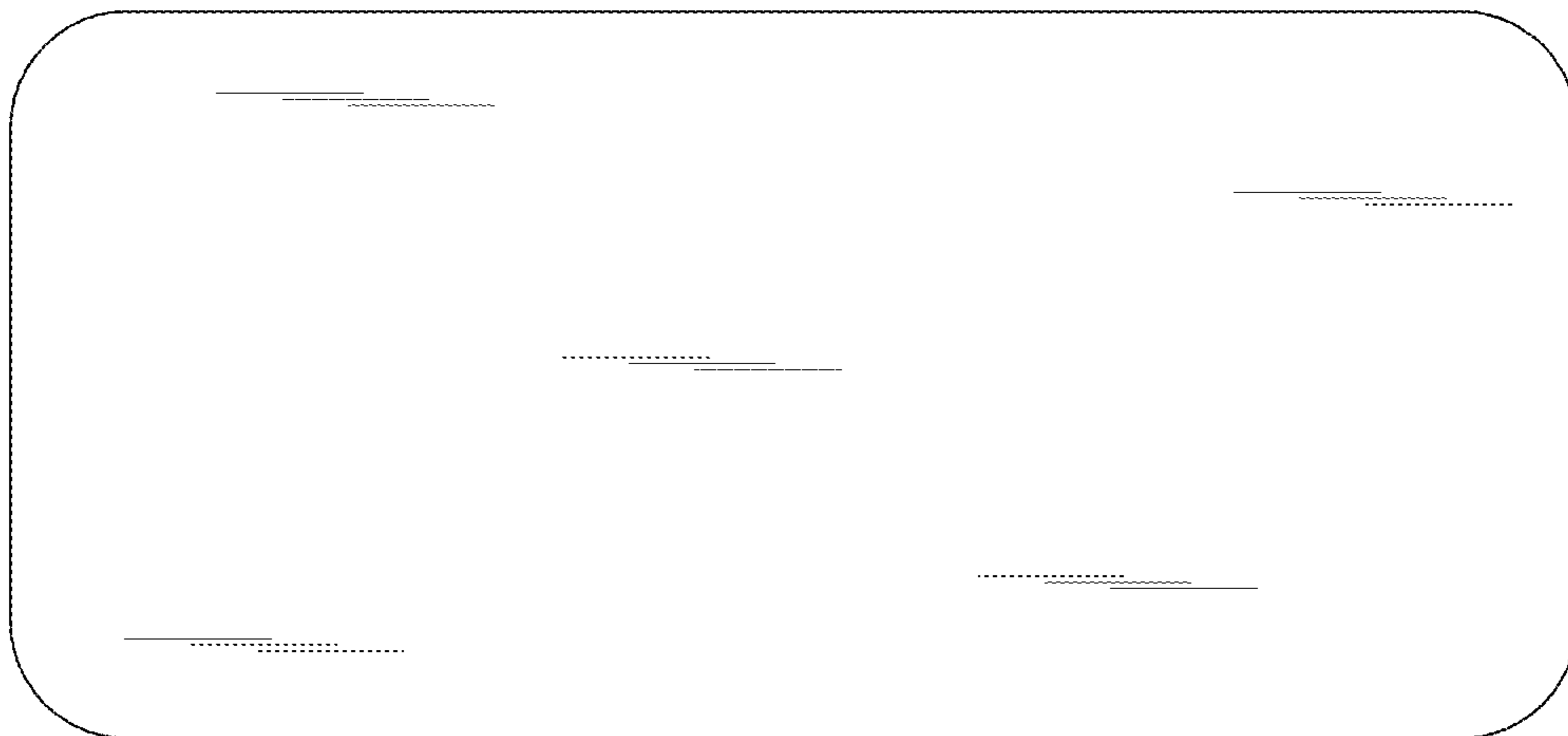


FIG. 4

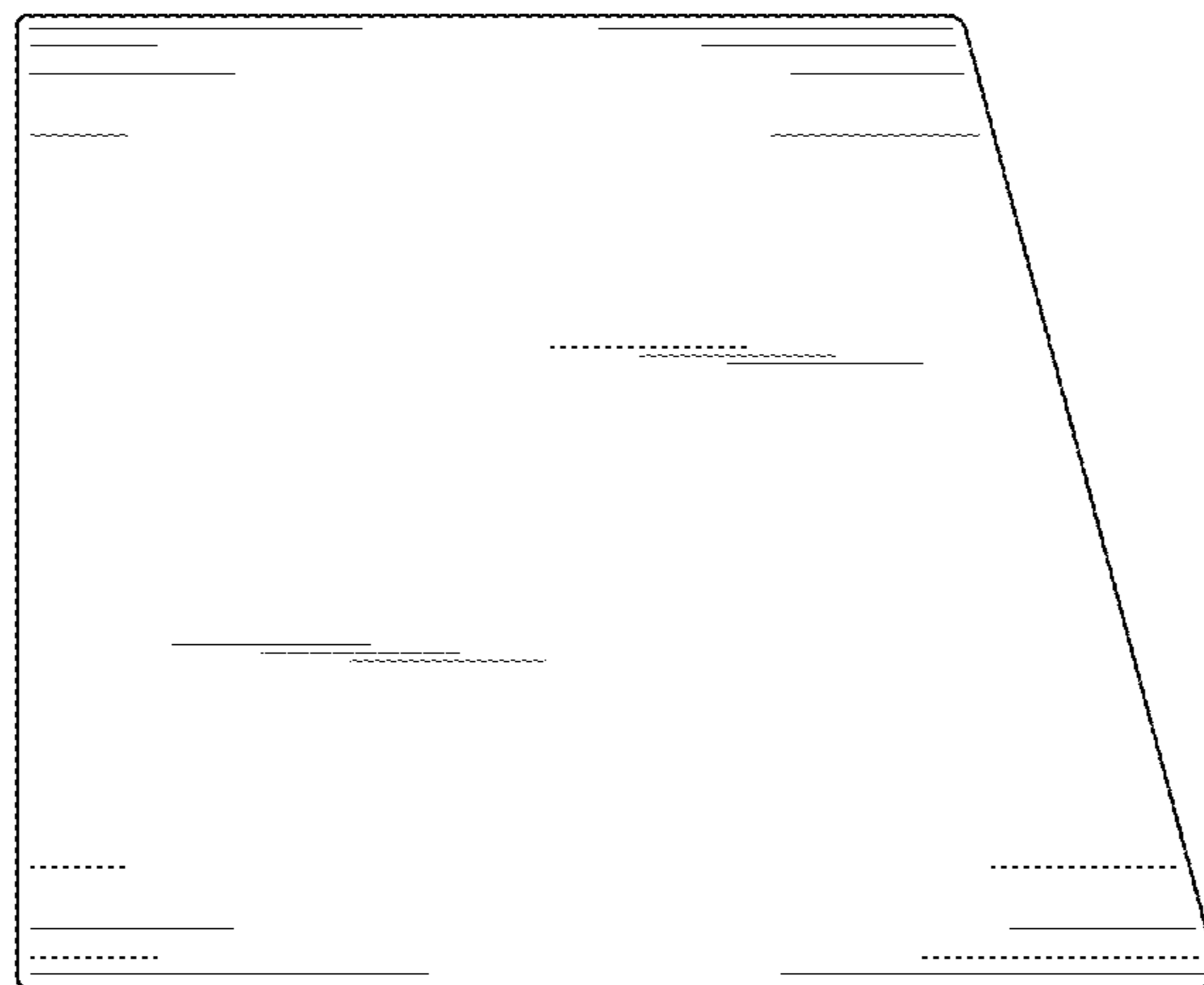


FIG. 5

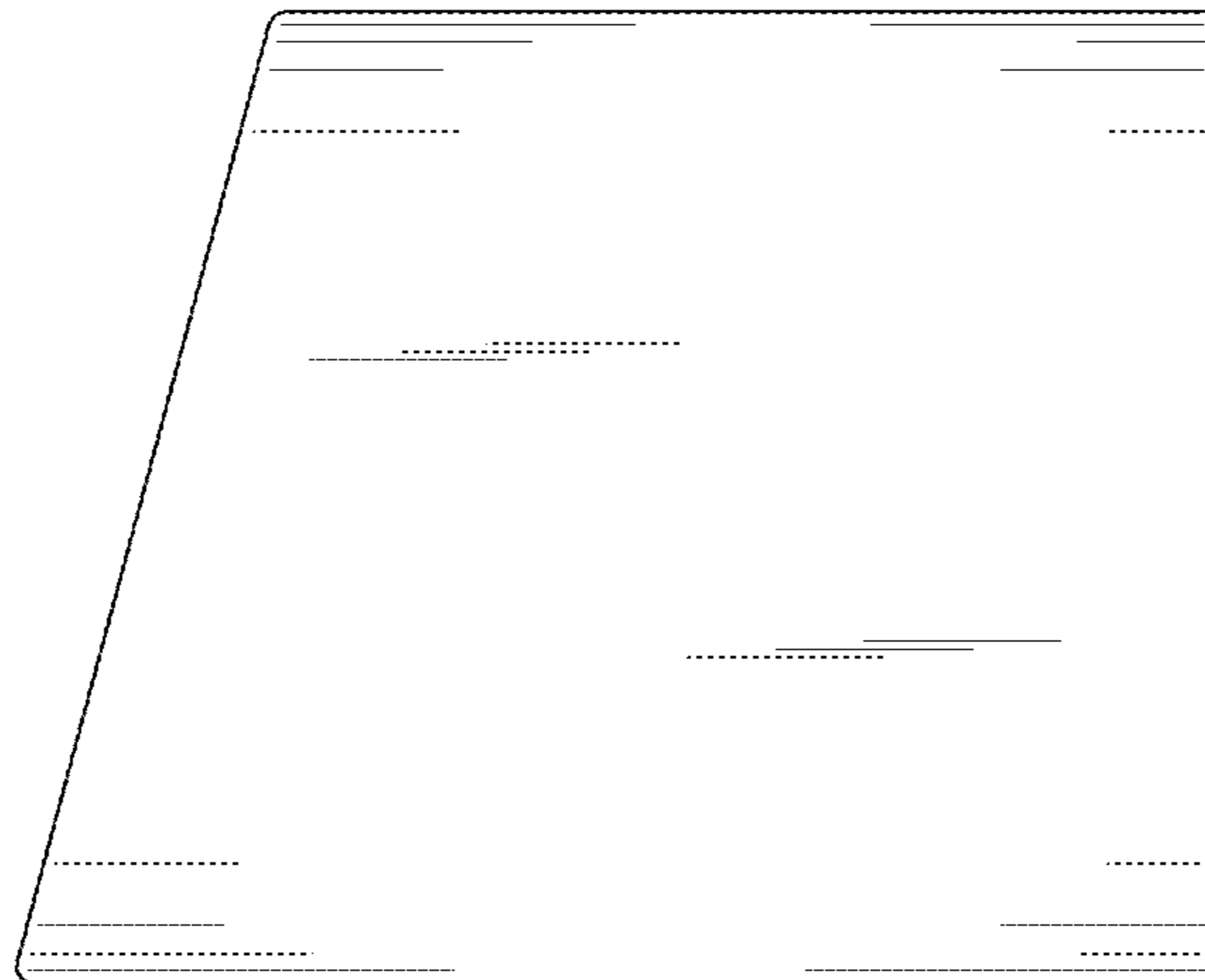


FIG. 6

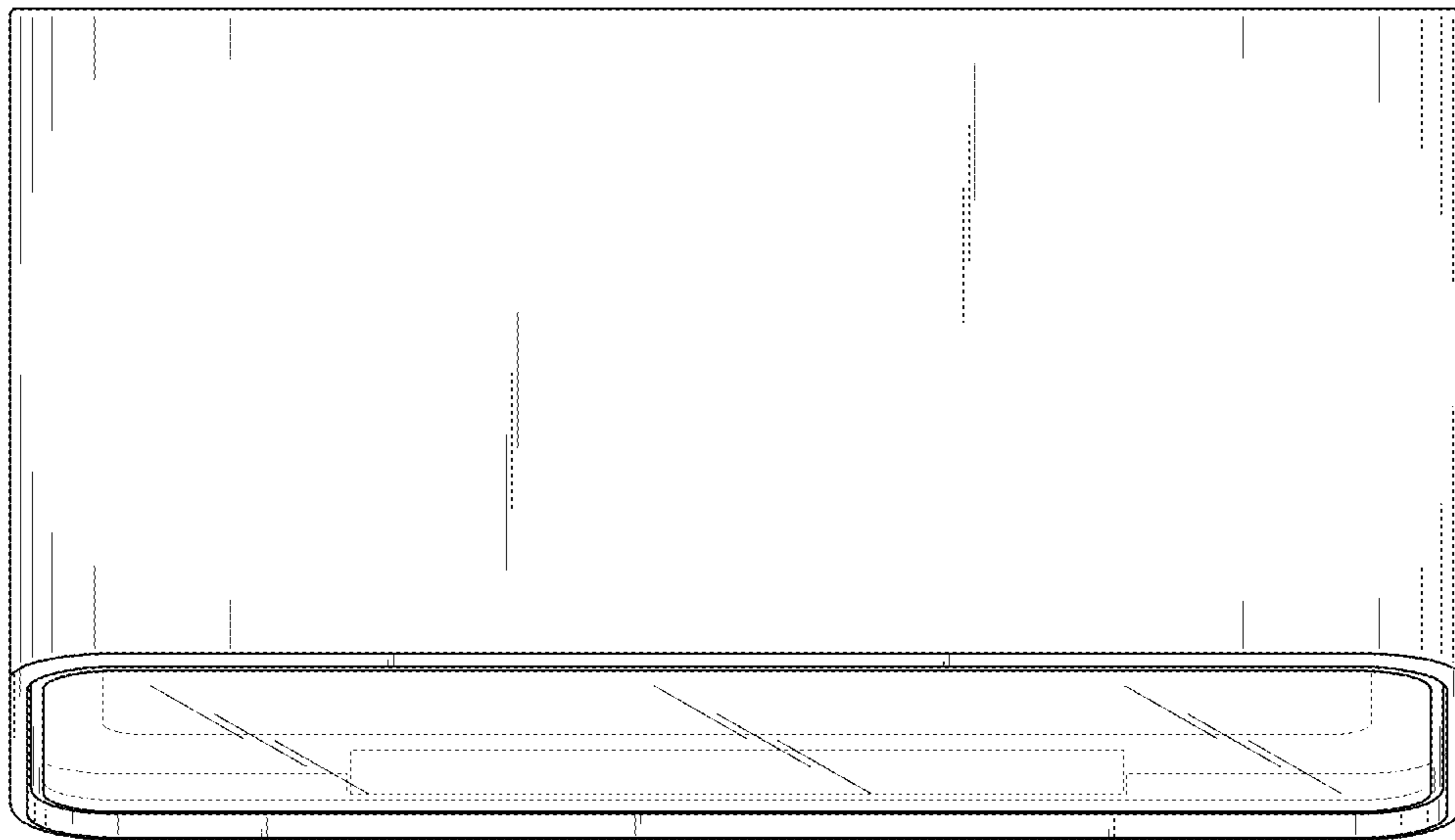


FIG. 7

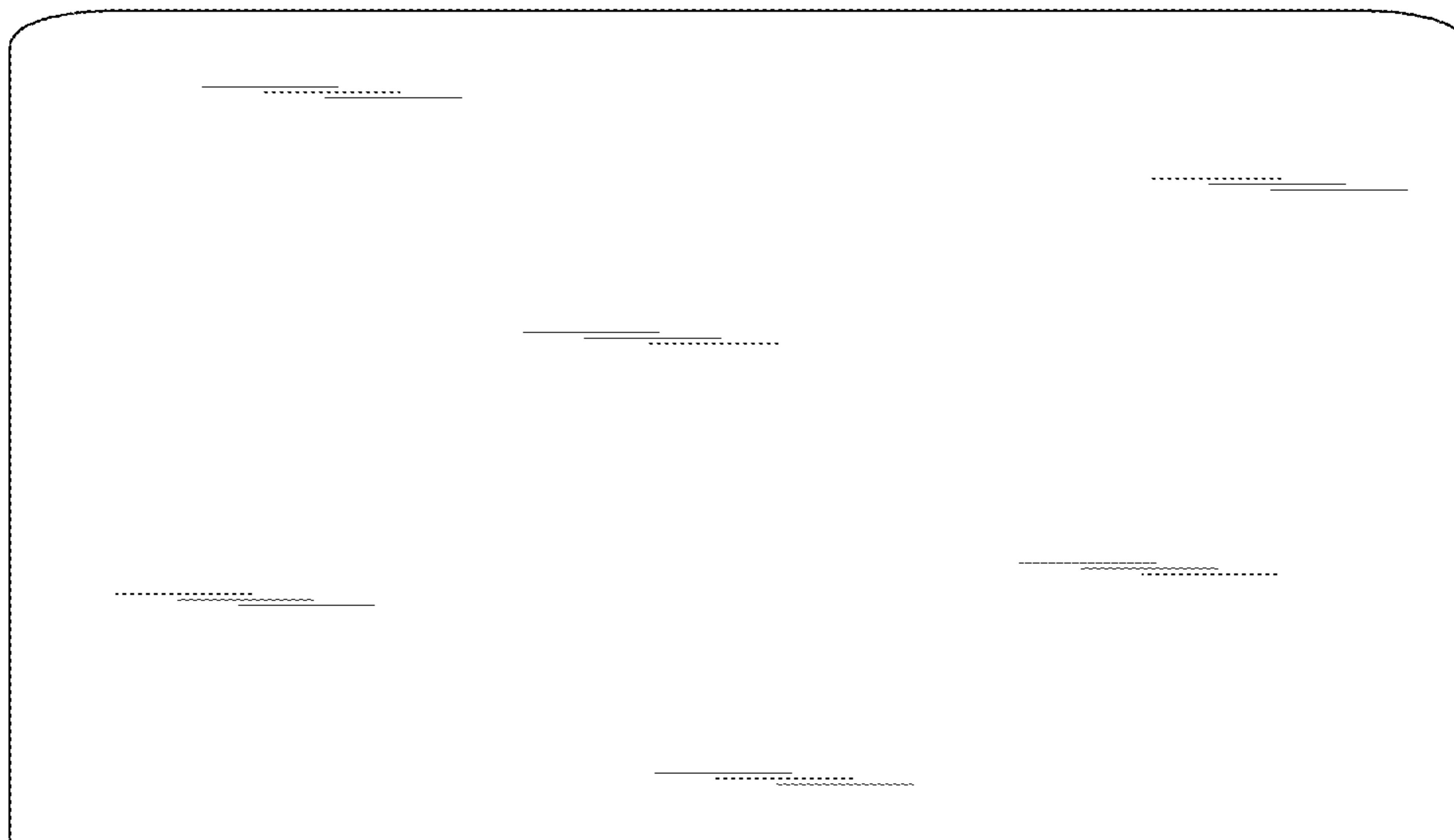


FIG. 8

