

US00D964109S

(12) **United States Design Patent** (10) **Patent No.:** **US D964,109 S**
Lees (45) **Date of Patent:** **** Sep. 20, 2022**

(54) **BAG**
(71) Applicant: **Anova Applied Electronics, Inc.**, San Francisco, CA (US)

D848,858 S 5/2019 Tastan
D874,876 S * 2/2020 Finell D7/602
D879,563 S 3/2020 Xu
D886,532 S * 6/2020 Peng D9/702
D886,533 S 6/2020 Finell et al.

(Continued)

(72) Inventor: **Harrison John Lees**, San Francisco, CA (US)

FOREIGN PATENT DOCUMENTS

(73) Assignee: **Anova Applied Electronics, Inc.**, San Francisco, CA (US)

CA 170058 S 3/2017
CN 304696955 6/2018

(Continued)

(**) Term: **15 Years**

OTHER PUBLICATIONS

(21) Appl. No.: **29/758,732**

Design No. 306823159, May 18, 2021—China National Intellectual Property Administration (CNIPA) Publication Date—Sep. 14, 2021
Owner—Anova Applied Electronics Inc, Designer—H J Liss WIPO, available at <https://www3.wipo.int/designdb/en/index.jsp> (Year: 2021).*

(Continued)

(22) Filed: **Nov. 18, 2020**

(51) **LOC (13) Cl.** **07-07**

(52) **U.S. Cl.**
USPC **D7/601; D9/709**

(58) **Field of Classification Search**
USPC D7/387, 504, 538, 540–543, 545–549, D7/553.1–553.3, 554.3–555, 601–604, D7/619.1–623, 628–631, 701–708.1, 709; D9/702, 703, 707, 709, 761
CPC A45C 13/008; A47J 27/18; A47J 47/02; B31B 70/8132; B31B 2160/10; B65D 33/004; B65D 33/1658; B65D 33/2508; B65D 33/2541; B65D 81/3461
See application file for complete search history.

Primary Examiner — Mary Ann Calabrese
Assistant Examiner — Natalya M Rapundalo
(74) *Attorney, Agent, or Firm* — Banner & Witcoff, Ltd.

(57) **CLAIM**

The ornamental design for a bag, as shown and described.

DESCRIPTION

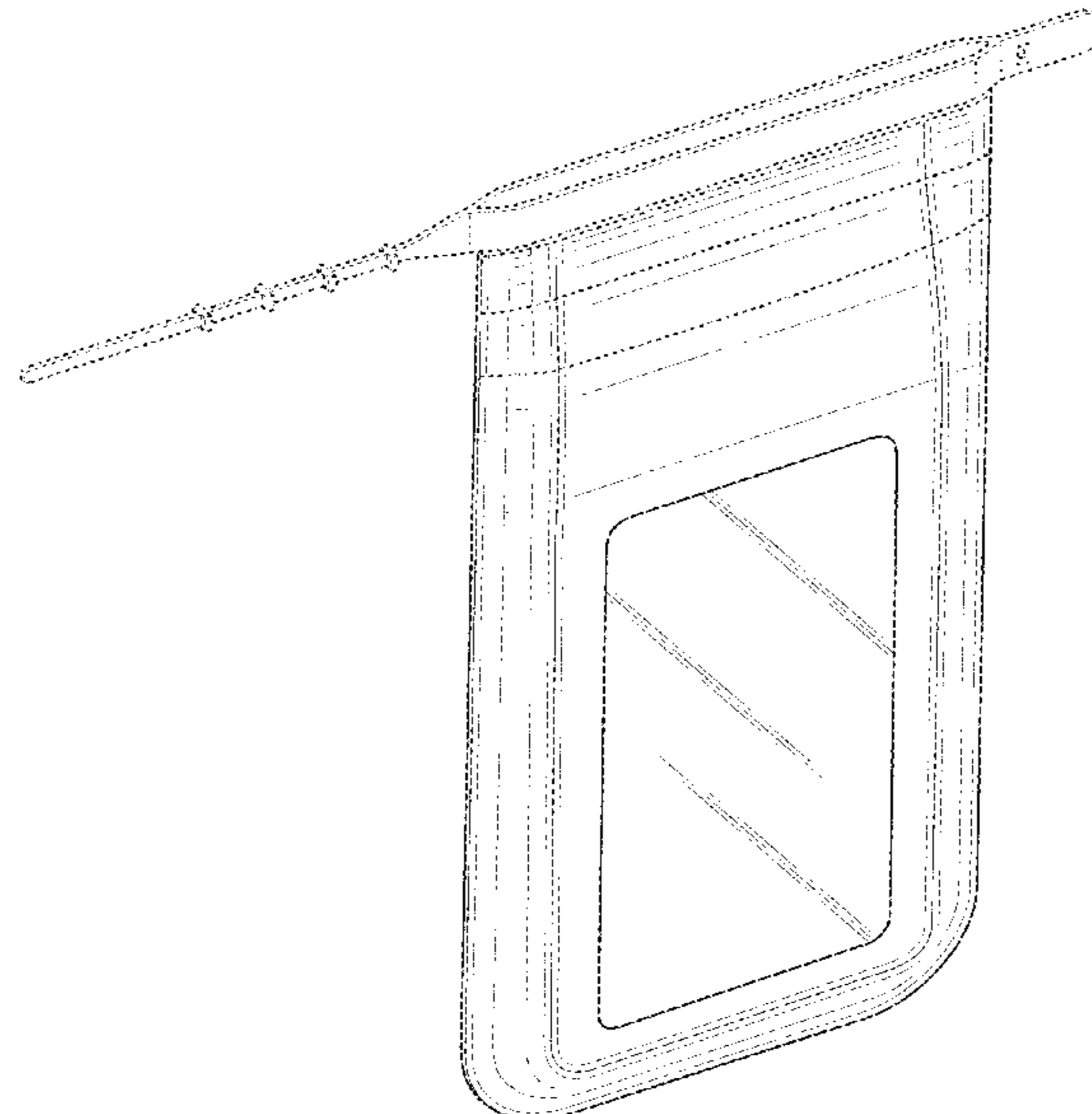
FIG. 1 is a front perspective view of a bag showing my new design;
FIG. 2 is a front view thereof;
FIG. 3 is a rear view thereof;
FIG. 4 is a right side view thereof;
FIG. 5 is a left side view thereof;
FIG. 6 is a top view thereof; and,
FIG. 7 is a bottom view thereof.
The broken lines depicting the remainder of the bag form no part of the claimed design.

(56) **References Cited**

U.S. PATENT DOCUMENTS

4,414,717 A * 11/1983 Payne B65D 33/1658
24/30.5 R
D399,708 S 10/1998 Grissom
D547,059 S 7/2007 Keller
D585,302 S * 1/2009 Beyer D9/707
D671,423 S * 11/2012 Ito D9/702
D753,444 S * 4/2016 Denis D7/602
D787,340 S 5/2017 Pape
D822,384 S 7/2018 Limber

1 Claim, 5 Drawing Sheets



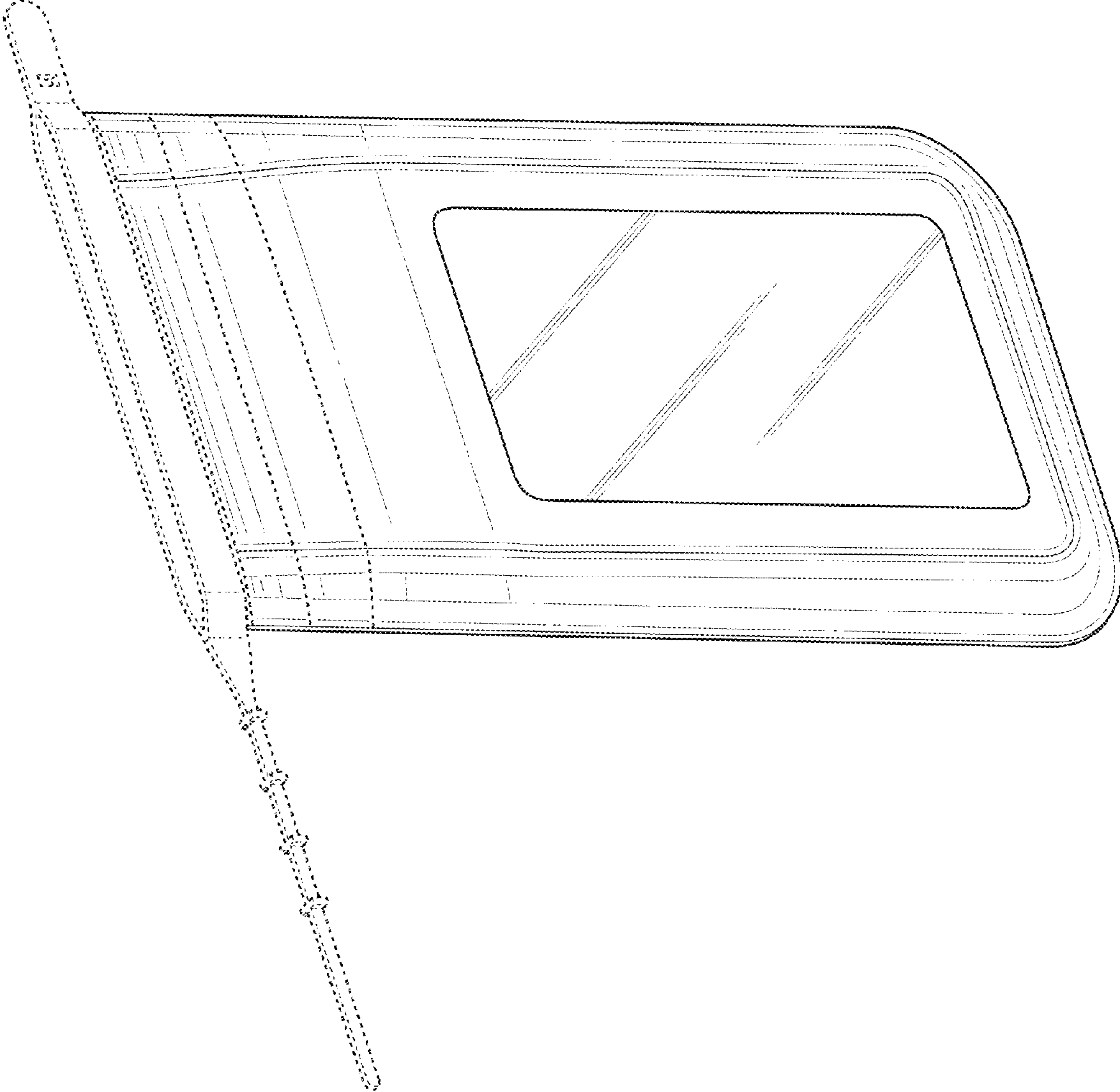


FIG. 1

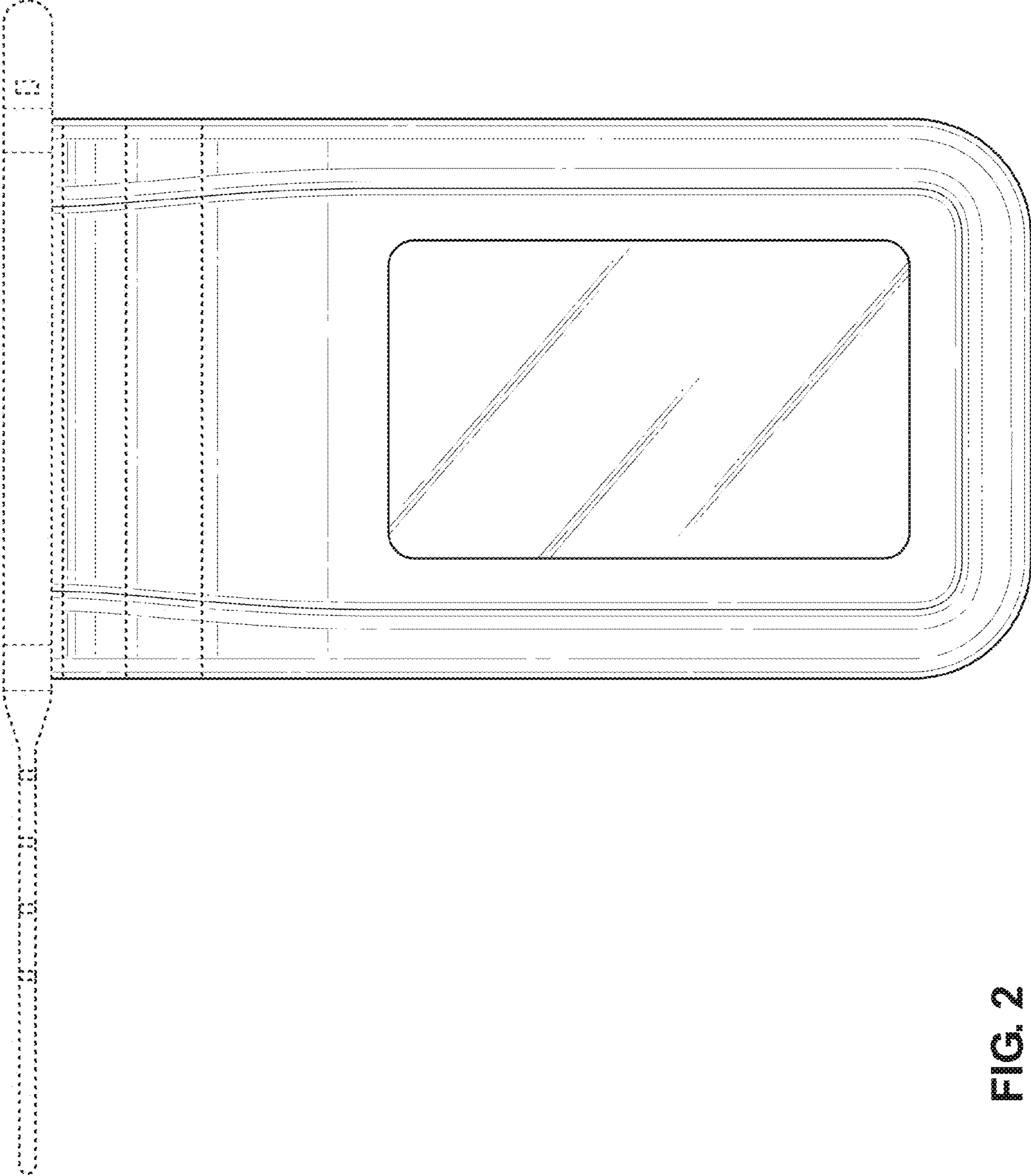


FIG. 2

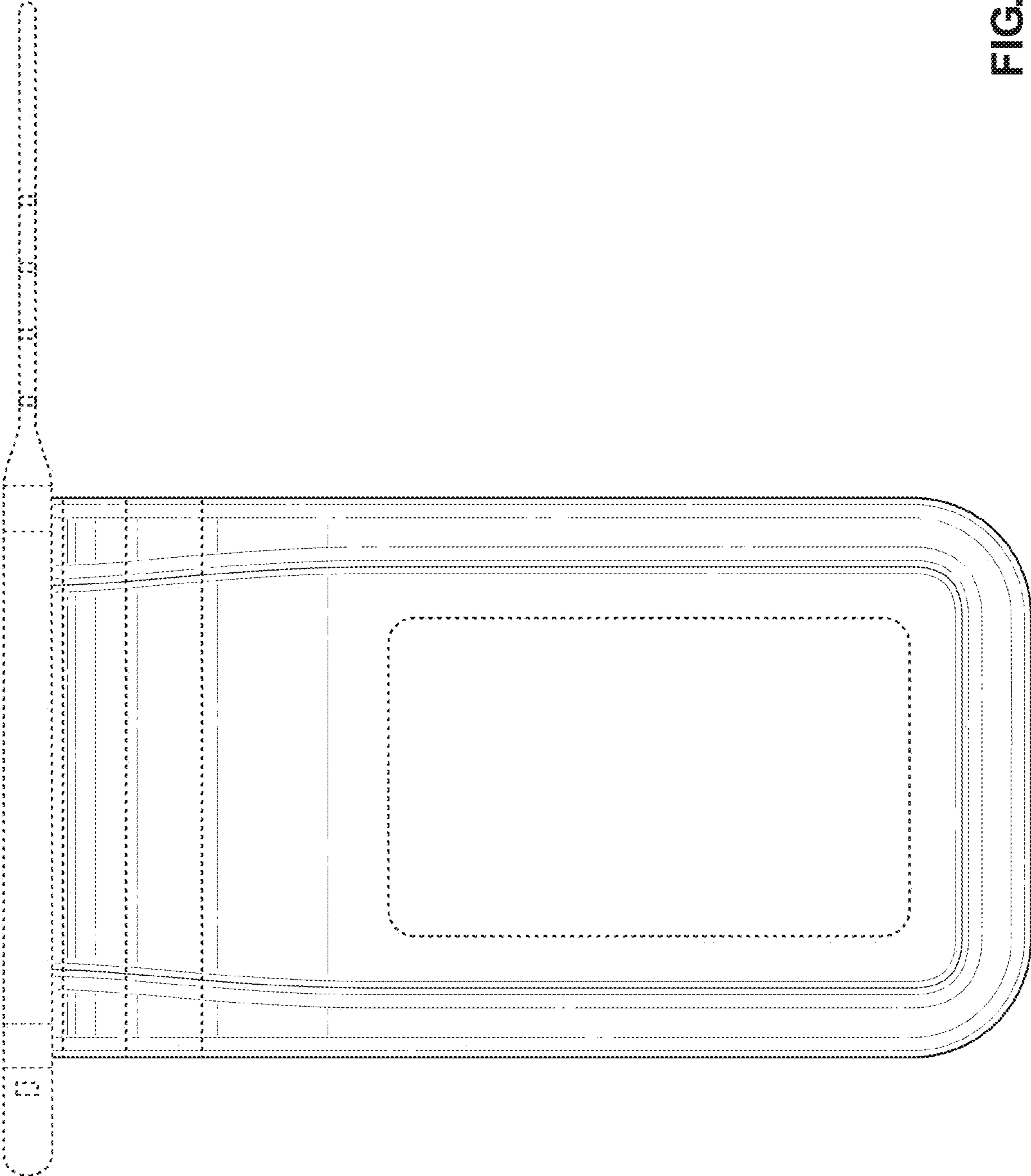


FIG. 3

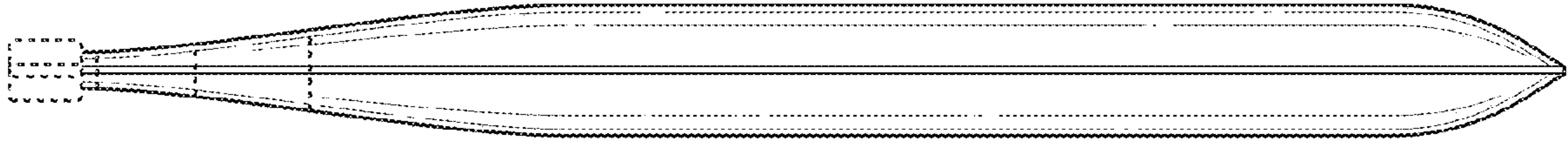


FIG. 5

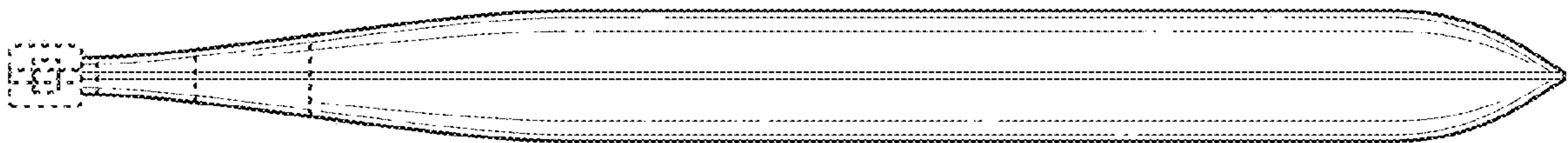


FIG. 4

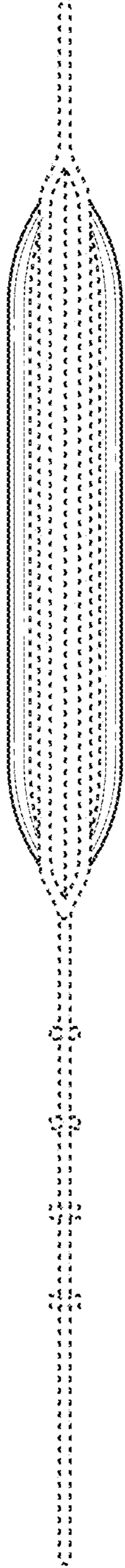


FIG. 6

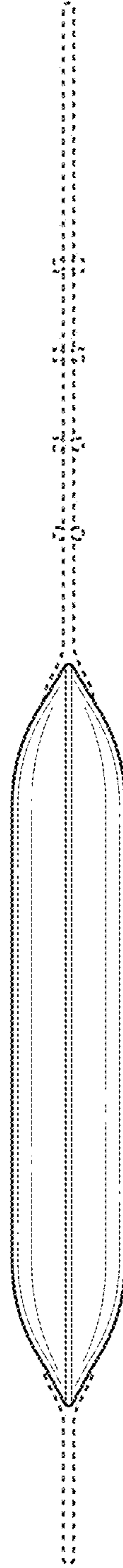


FIG. 7