



US00D964108S

(12) **United States Design Patent** (10) **Patent No.:** **US D964,108 S**
Lees (45) **Date of Patent:** **** Sep. 20, 2022**

(54) **BAG**
(71) Applicant: **Anova Applied Electronics, Inc.**, San Francisco, CA (US)
(72) Inventor: **Harrison John Lees**, San Francisco, CA (US)
(73) Assignee: **Anova Applied Electronics, Inc.**, San Francisco, CA (US)

D822,384 S 7/2018 Limber
D848,858 S 5/2019 Tastan
D874,876 S * 2/2020 Finell D7/602
D879,563 S 3/2020 Xu
D886,532 S * 6/2020 Peng D9/702
(Continued)

(**) Term: **15 Years**

FOREIGN PATENT DOCUMENTS

CA 170058 S 3/2017
CN 304696955 6/2018
(Continued)

(21) Appl. No.: **29/758,731**
(22) Filed: **Nov. 18, 2020**
(51) **LOC (13) Cl.** **07-07**
(52) **U.S. Cl.**
USPC **D7/601; D9/709**
(58) **Field of Classification Search**
USPC D7/387, 504, 538, 540-543, 545-549,
D7/553.1-553.3, 554.3-555, 601-604,
D7/619.1-623, 628-631, 701-708.1, 709;
D9/702, 703, 707, 709, 761
CPC A45C 13/008; A47J 27/18; A47J 47/02;
B31B 70/8132; B31B 2160/10; B65D
33/004; B65D 33/1658; B65D 33/2508;
B65D 33/2541; B65D 81/3461
See application file for complete search history.

OTHER PUBLICATIONS

Design No. 306823159, May 18, 2021—China National Intellectual Property Administration (CNIPA) Publication Date—Sep. 14, 2021
Owner—Anova Applied Electronics Inc, Designer—H J Liss WIPO, available at <https://www3.wipo.int/designdb/en/index.jsp> (Year: 2021).*
(Continued)

Primary Examiner — Mary Ann Calabrese
Assistant Examiner — Natalya M Rapundalo
(74) *Attorney, Agent, or Firm* — Banner & Witcoff, Ltd.

(57) **CLAIM**
The ornamental design for a bag, as shown and described.

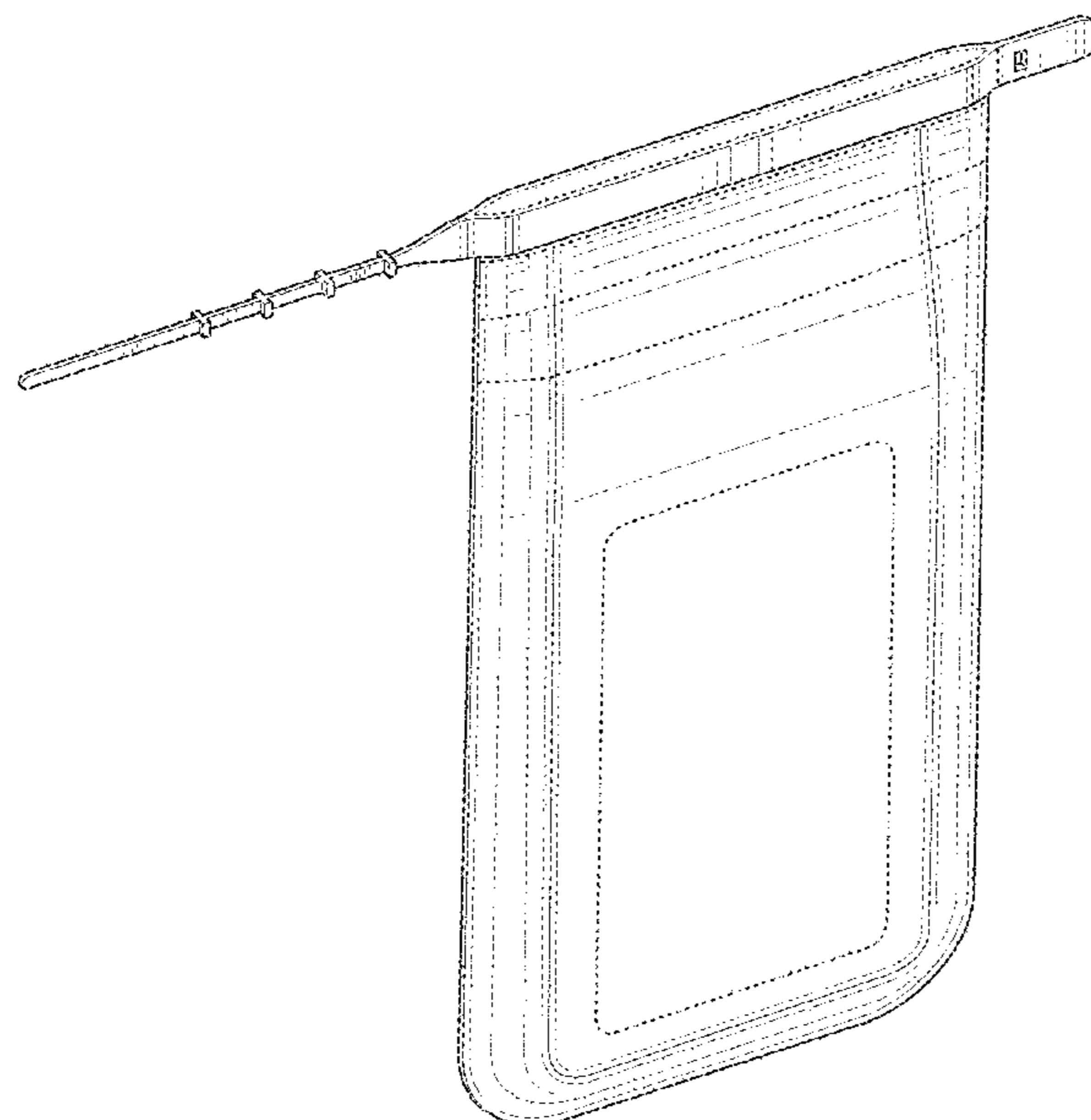
DESCRIPTION

FIG. 1 is a front perspective view of a bag showing my new design;
FIG. 2 is a front view thereof;
FIG. 3 is a rear view thereof;
FIG. 4 is a right side view thereof;
FIG. 5 is a left side view thereof;
FIG. 6 is a top view thereof; and,
FIG. 7 is a bottom view thereof.
The broken lines depicting the rectangular region, three stripes on the bag, and interior of the bag form no part of the claimed design.

(56) **References Cited**
U.S. PATENT DOCUMENTS

4,414,717 A * 11/1983 Payne B65D 33/1658
24/30.5 R
D399,708 S 10/1998 Grissom
D547,059 S 7/2007 Keller
D585,302 S * 1/2009 Beyer D9/707
D671,423 S * 11/2012 Ito D9/702
D753,444 S * 4/2016 Denis D7/602
D787,340 S 5/2017 Pape

1 Claim, 5 Drawing Sheets



(56)

References Cited

U.S. PATENT DOCUMENTS

D886,533 S	6/2020	Finell et al.	
D901,983 S *	11/2020	Mouler	D9/709
D910,461 S *	2/2021	Mishkin	D9/707
D919,443 S *	5/2021	Liao	B65D 33/004 D9/709
D926,588 S *	8/2021	Hughes	D9/702
D940,515 S *	1/2022	Li	A47J 47/02 D7/629
D940,565 S *	1/2022	Nguyen	D9/705
D944,653 S *	3/2022	Ramsey	B65D 33/004 D9/709
D947,679 S *	4/2022	Hughes	A45C 13/008 D9/702
D948,348 S *	4/2022	Moynihan	D3/202
2014/0270579 A1 *	9/2014	Nouri	B65D 33/2541 383/98
2017/0225842 A1 *	8/2017	Yeh	A45C 13/008
2018/0370688 A1 *	12/2018	Ruddell	B65D 33/1658
2022/0024642 A1 *	1/2022	Han	A47J 47/02

FOREIGN PATENT DOCUMENTS

GB	6080522	1/2020
JP	1640302 S	9/2019

OTHER PUBLICATIONS

Anova Precision Reusable Silicone Bag, Anova, [online], [site visited Apr. 28, 2022], Available from internet URL: <https://anovaculinary.com/product/anova-precision-reusable-silicone-bag/> (Year: 2022).*

“Half-Gallon Sized Food Storage Bag”; Stasher; retrieved Aug. 18, 2020; published date unknown, prior to Aug. 18, 2020; URL: <<https://www.stasherbag.com/collections/the-stasher-ecosystem/products/reusable-silicone-half-gallon-bag?variant=19694101332054>>.

“Silicone Reusable Bags for Food Storage Set”; Amazon; retrieved Aug. 18, 2020; published date unknown, prior to Aug. 18, 2020; URL: <<https://www.amazon.com/Reusable-Silicone-Food-Storage-Kiva-World/dp/B074KJ519P>>.

“Upgraded Fold-able Silicone Food Storage Bags”; PJ Kitchen Accessories; retrieved Aug. 18, 2020; published date unknown, prior to Aug. 18, 2020; URL: <<https://pjkitchenaccessories.com/products/upgrade-reusable-silicone-food-storage-bags-containers-airtight-easy-seal-leakproof-large-opening-fruit-vegetable-kitchen-tool>>.

* cited by examiner

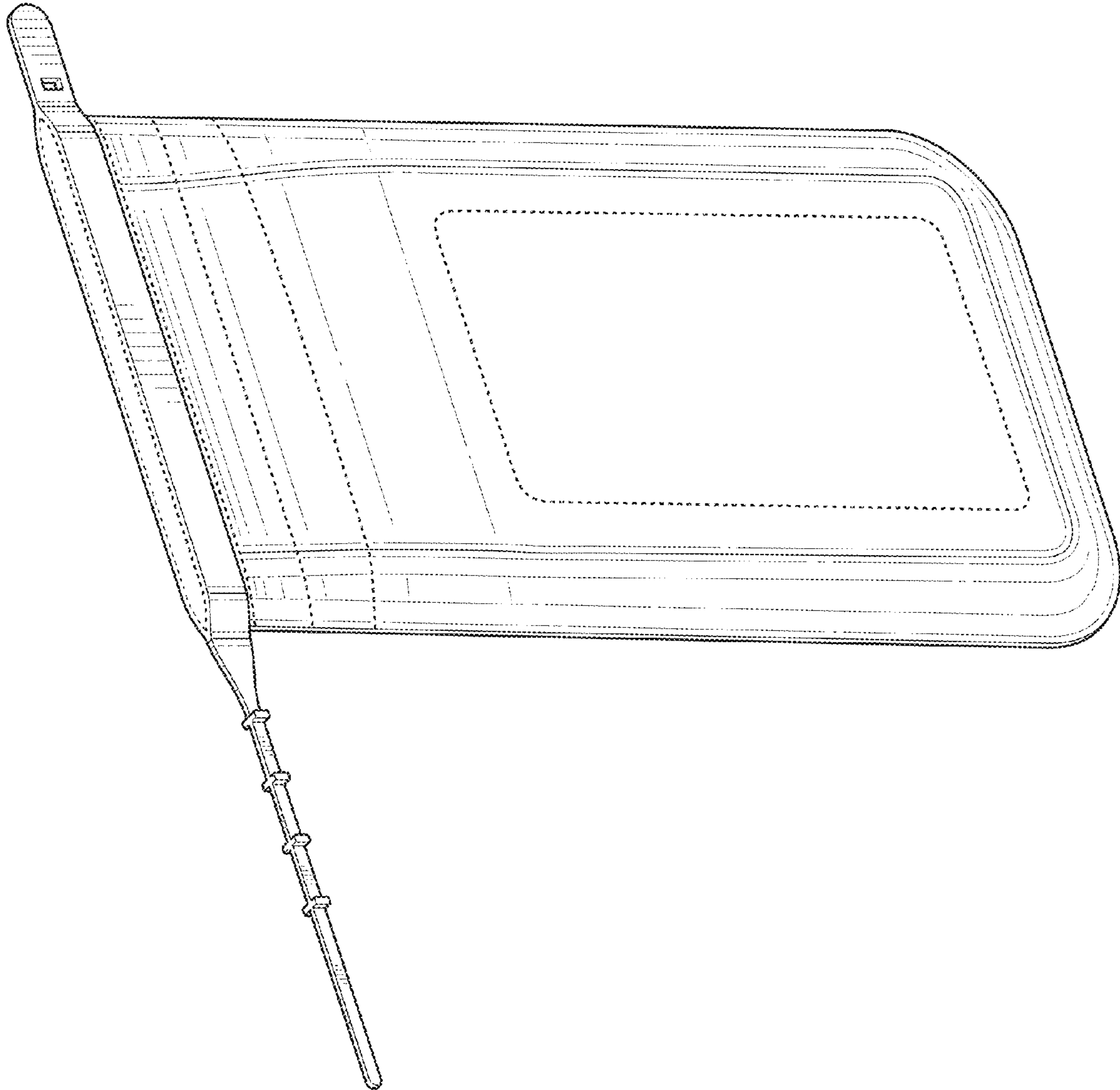


FIG. 1

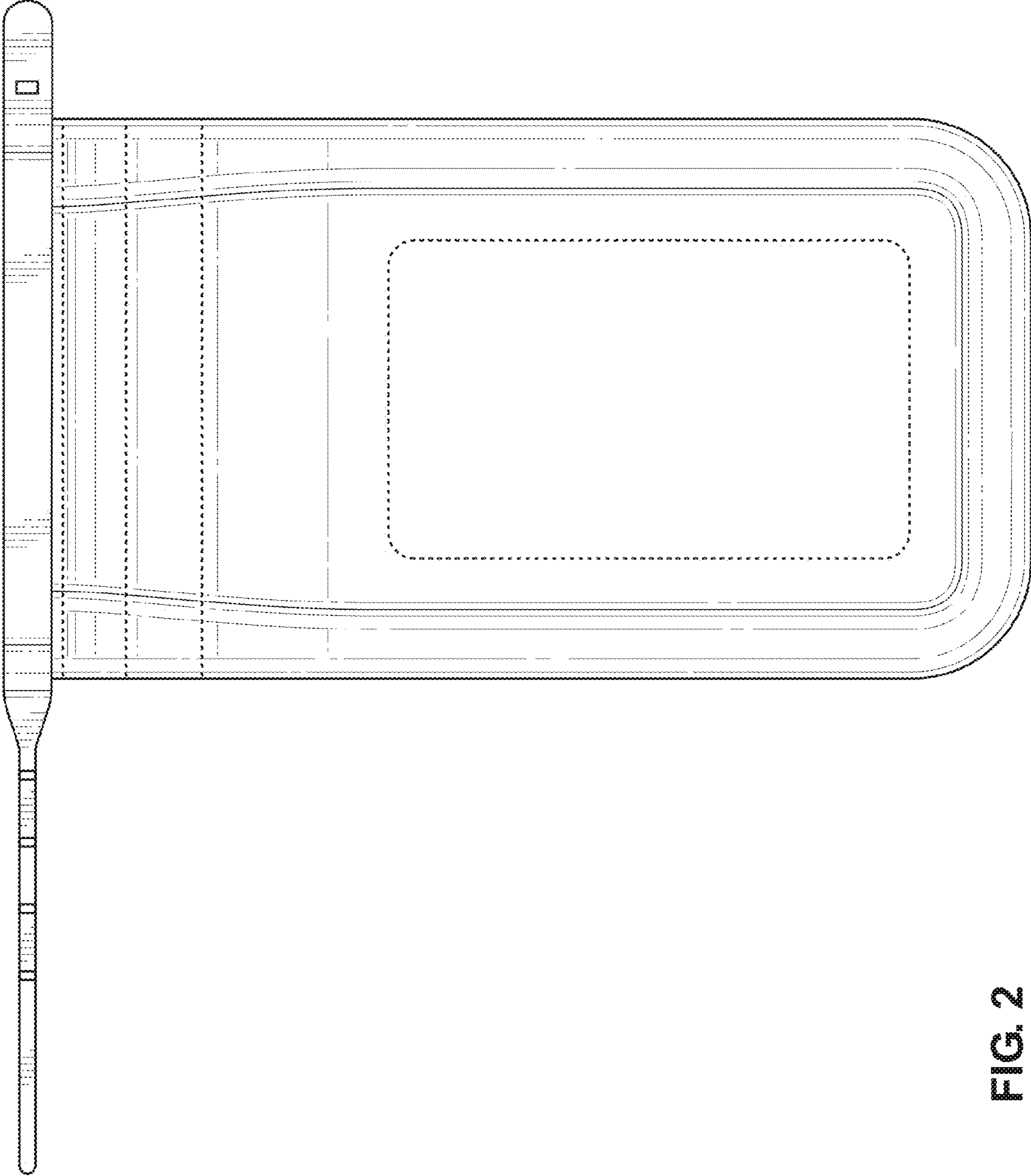


FIG. 2

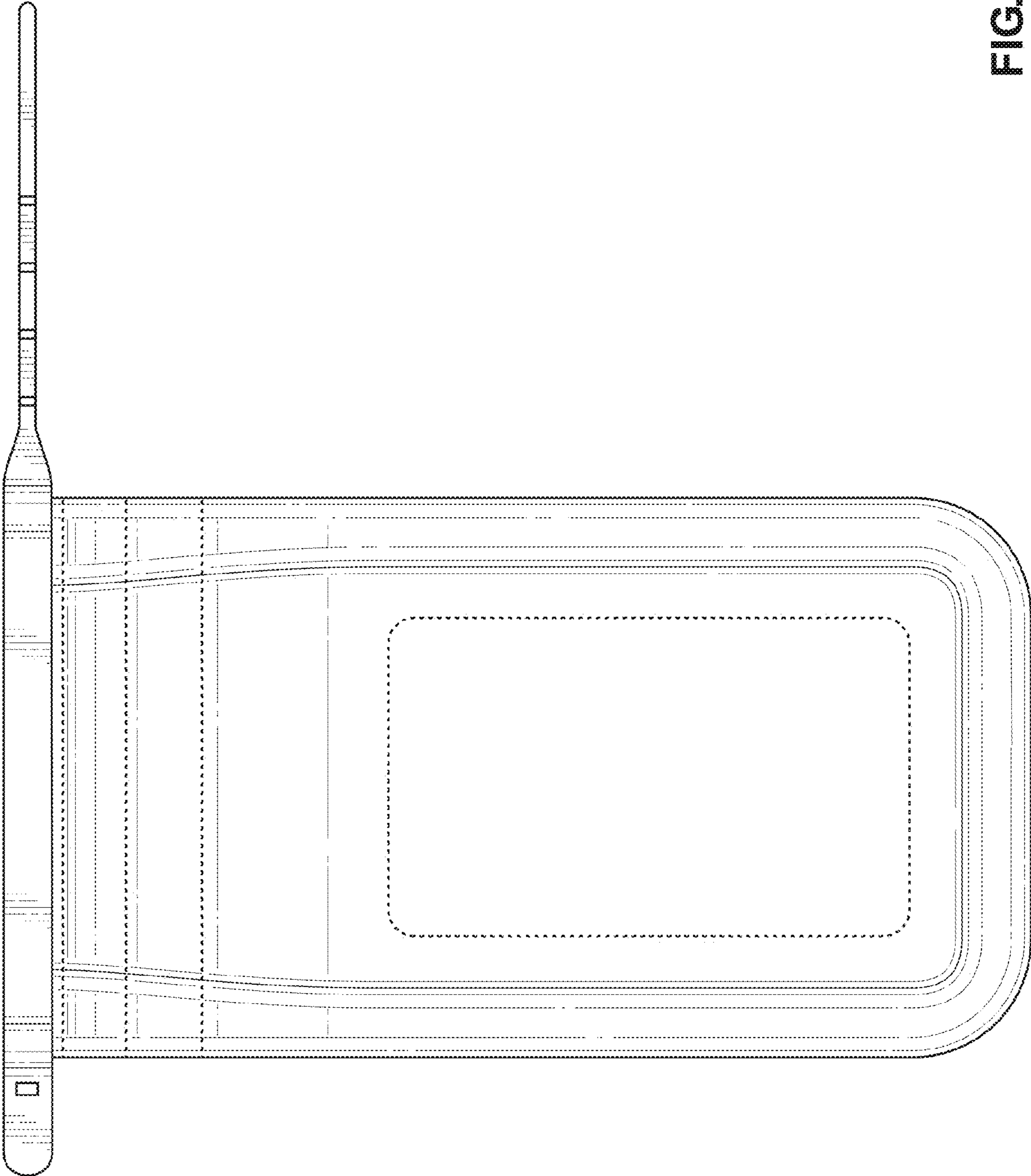


FIG. 3

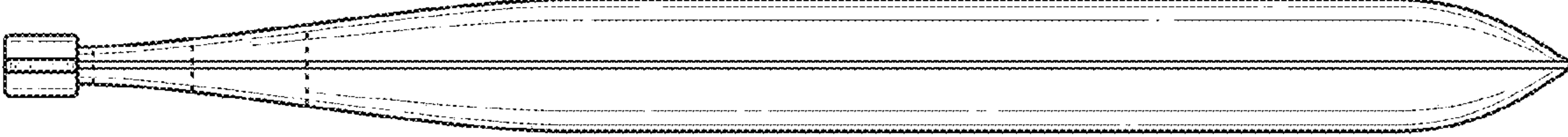


FIG. 5

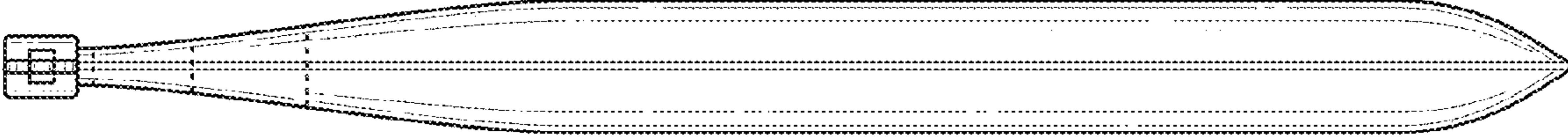


FIG. 4

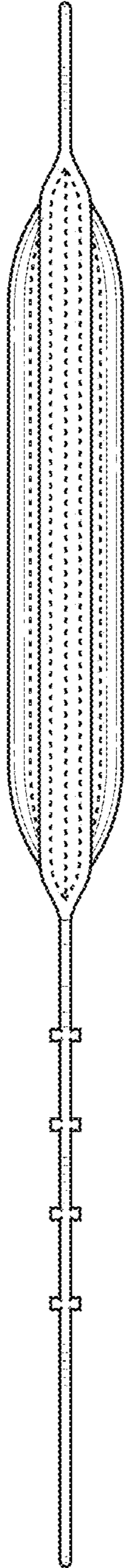


FIG. 6

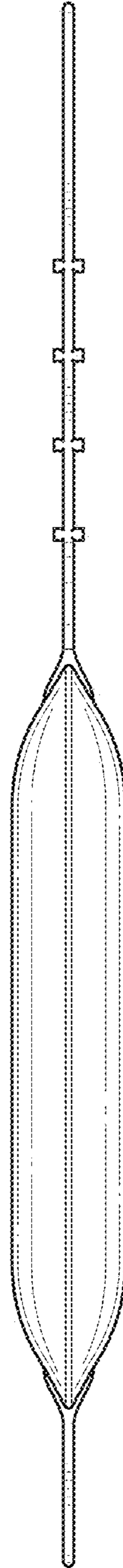


FIG. 7