



US00D964106S

(12) **United States Design Patent**
Bornfleth

(10) **Patent No.:** **US D964,106 S**

(45) **Date of Patent:** **** Sep. 20, 2022**

(54) **LARGE PRESENTATION TRAY FOR GLASSWARE**

(71) Applicant: **AARON'S QUALITY DETAILING, LLC**, Largo, FL (US)

(72) Inventor: **Aaron Bornfleth**, Largo, FL (US)

(73) Assignee: **AARON'S QUALITY DETAILING, LLC**, Largo, FL (US)

(**) Term: **15 Years**

(21) Appl. No.: **29/767,293**

(22) Filed: **Jan. 21, 2021**

(51) **LOC (13) Cl.** **07-01**

(52) **U.S. Cl.**
USPC **D7/554.4**

(58) **Field of Classification Search**
USPC D7/500, 550.1, 552.1, 552.2, 553.1,
D7/553.2, 553.3, 553.4, 553.5, 554.4,
D7/601-602, 397
CPC A47G 19/30; A47G 19/02; A47G 23/06;
A47G 23/0608; A47G 21/08
See application file for complete search history.

(56) **References Cited**

U.S. PATENT DOCUMENTS

D233,697 S * 11/1974 Tate D7/397
D255,310 S * 6/1980 Spencer D9/761
D335,796 S * 5/1993 Barnes D7/553.5
D364,072 S * 11/1995 Keable D7/553.5
D406,727 S * 3/1999 Weatherby D7/553.5
D505,833 S * 6/2005 Ahearn D7/553.4

D546,627 S * 7/2007 Price D7/552.1
D576,849 S * 9/2008 Carfagna D7/550.1
8,246,190 B2 * 8/2012 Boiteau A47G 23/0641
206/139
D690,164 S * 9/2013 Lock D7/553.2
D745,319 S * 12/2015 Melzer D7/392.1
D745,817 S * 12/2015 Amash D3/905
D836,832 S * 12/2018 Kesselman D27/186
D923,415 S * 6/2021 Luciano D7/553.4

* cited by examiner

Primary Examiner — Kelley A Donnelly

(74) *Attorney, Agent, or Firm* — Jacob M. Ward; Ward Law Office LLC

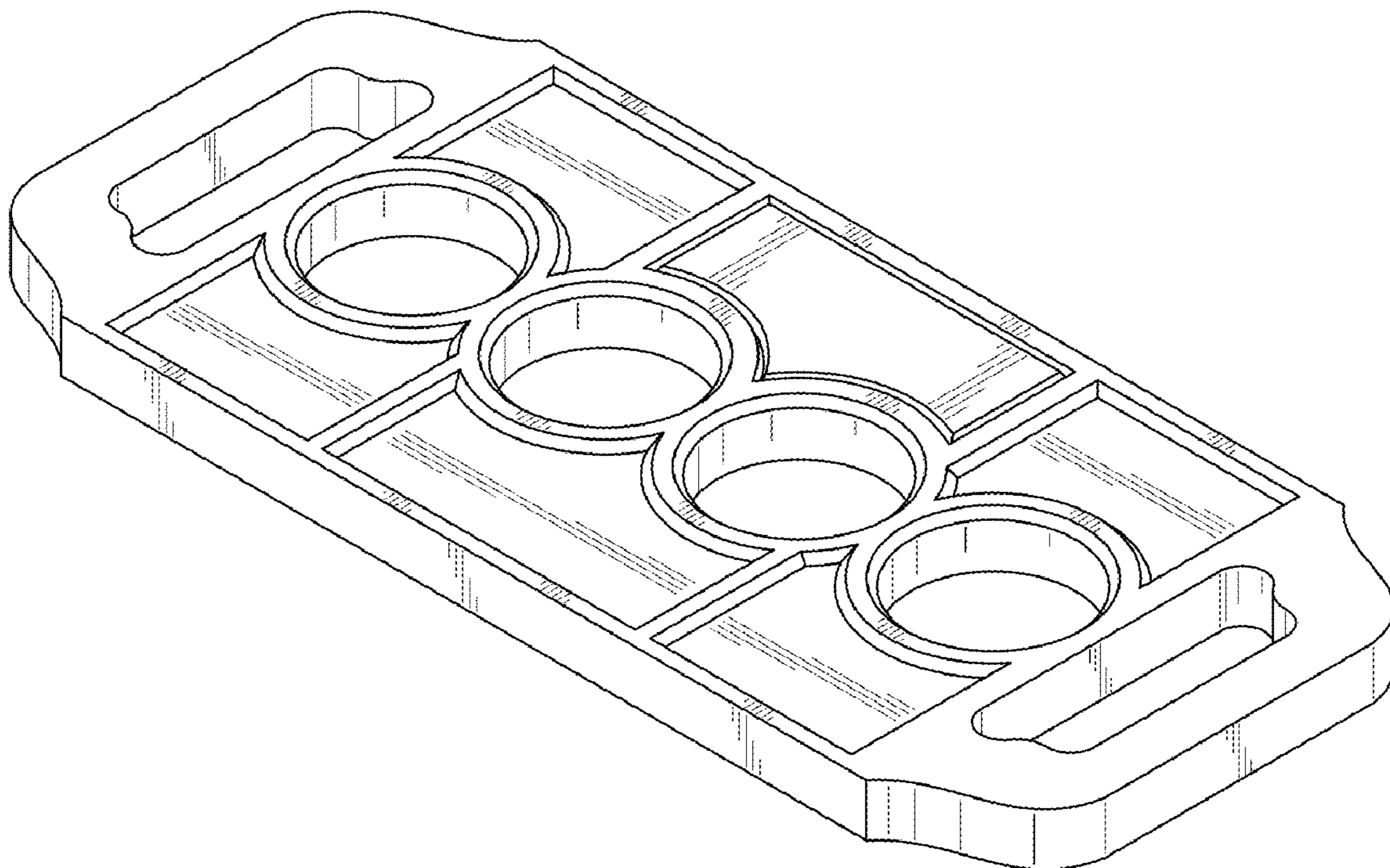
(57) **CLAIM**

The ornamental design for a large presentation tray for glassware, as shown and described.

DESCRIPTION

FIG. 1 is a top perspective view of a large presentation tray for glassware;
FIG. 2 is a top plan view of the large presentation tray for glassware of FIG. 1;
FIG. 3 is a bottom plan view thereof;
FIG. 4 is a front elevational view thereof; and,
FIG. 5 is a right side elevational view thereof.
The ornamental design which is claimed is shown in solid lines in the drawings. A rear elevational view is not shown because it is identical to the front elevational shown in FIG. 4. A left side elevational view is not shown because it is identical to the right side elevational view shown in FIG. 5.

1 Claim, 3 Drawing Sheets



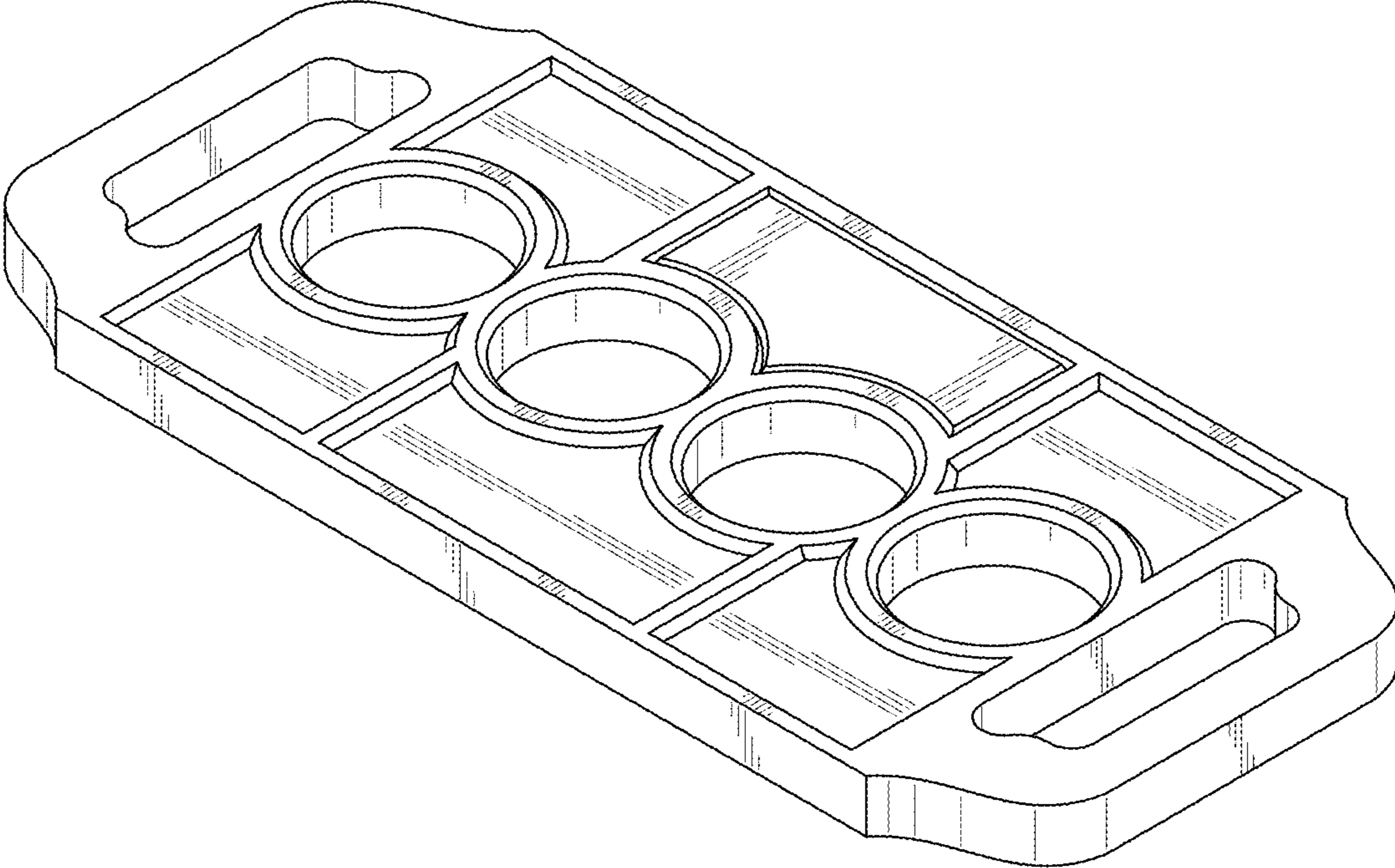


FIG. 1

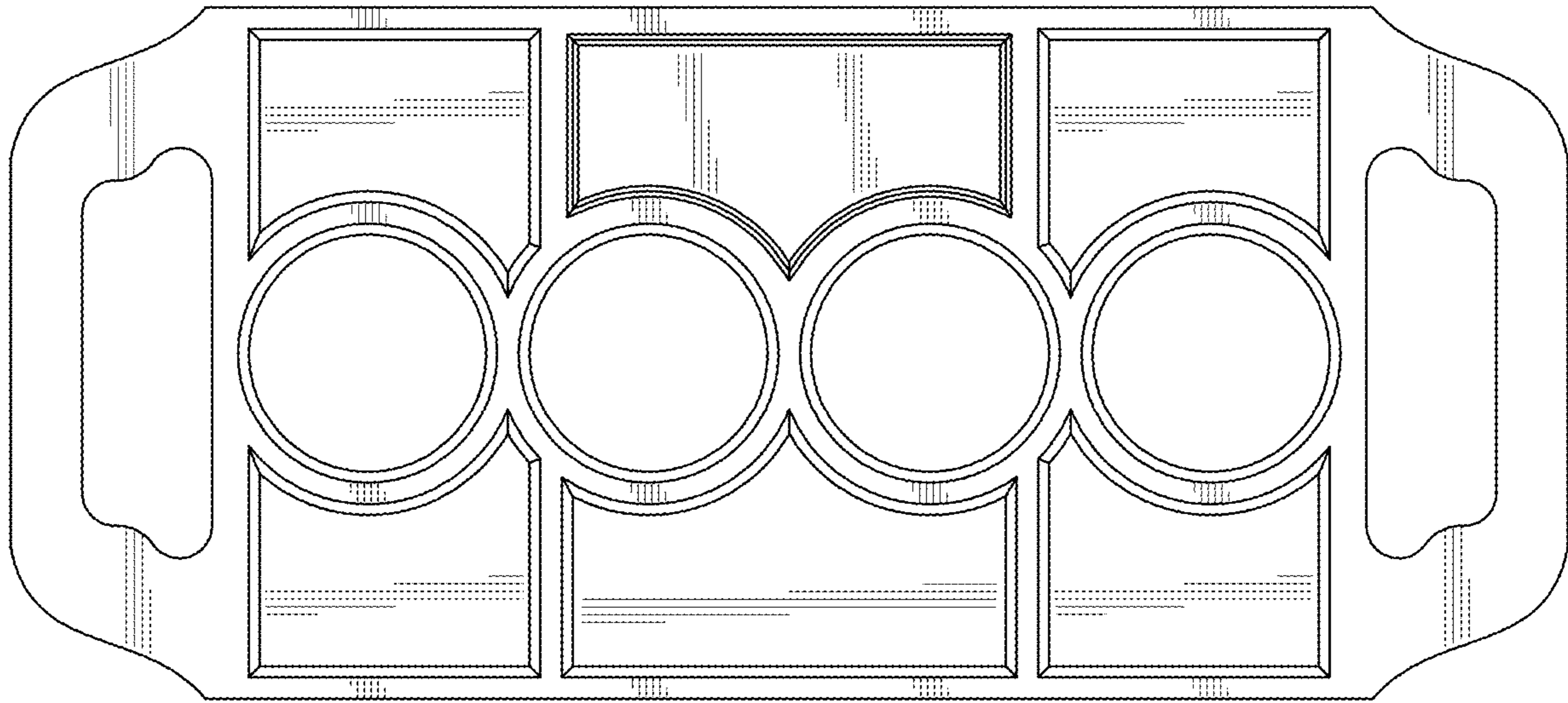


FIG. 2

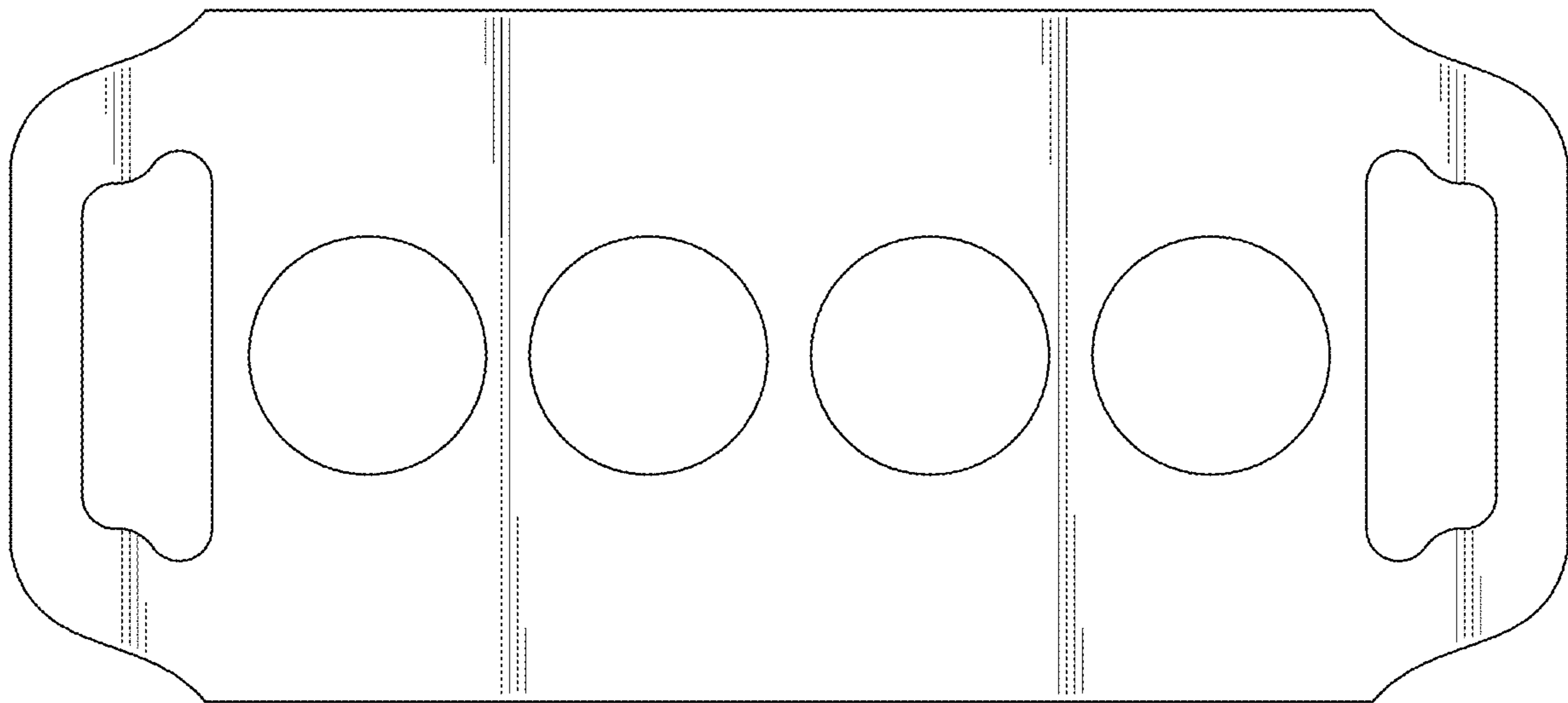


FIG. 3



FIG. 4

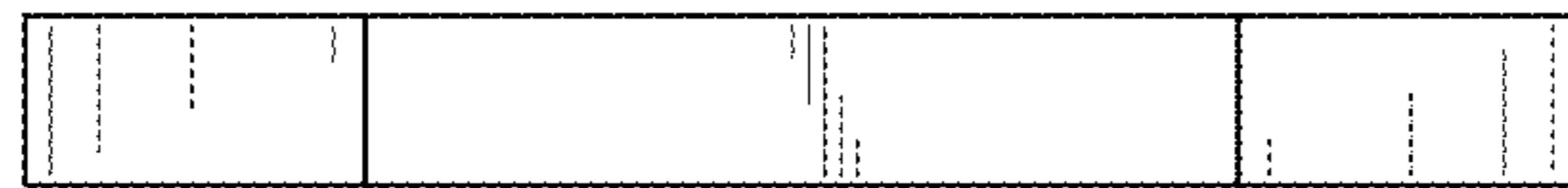


FIG. 5