

US00D964105S

(12) **United States Design Patent**  
**Bornfleth**

(10) **Patent No.:** **US D964,105 S**

(45) **Date of Patent:** **\*\* Sep. 20, 2022**

(54) **BOTTLE PRESENTATION BOARD**

(71) Applicant: **AARON'S QUALITY DETAILING, LLC**, Largo, FL (US)

(72) Inventor: **Aaron Bornfleth**, Largo, FL (US)

(73) Assignee: **AARON'S QUALITY DETAILING, LLC**, Largo, FL (US)

(\*\*) Term: **15 Years**

(21) Appl. No.: **29/767,276**

(22) Filed: **Jan. 21, 2021**

(51) **LOC (13) Cl.** ..... **07-01**

(52) **U.S. Cl.**  
USPC ..... **D7/552.1**

(58) **Field of Classification Search**  
USPC ..... D7/500, 550.1, 552.1, 552.2, 553.1,  
D7/553.2, 553.3, 553.4, 553.5, 554.4,  
D7/601-602, 397  
CPC ..... A47G 19/30; A47G 19/02; A47G 23/06;  
A47G 23/0608; A47G 21/08  
See application file for complete search history.

(56) **References Cited**

**U.S. PATENT DOCUMENTS**

D143,364 S *	12/1945	Storch	.....	D7/553.4
D204,999 S *	6/1966	Edwards	.....	108/46
D206,761 S *	1/1967	Kirwan	.....	D7/553.5
D219,240 S *	11/1970	Bridges	.....	D7/553.5
3,877,603 A *	4/1975	Holz	.....	A47G 23/06 D7/553.5
D253,628 S *	12/1979	Adamson	.....	D7/553.2
D255,310 S *	6/1980	Spencer	.....	D9/761
D264,420 S *	5/1982	Beckerman	.....	D7/638
D267,462 S *	1/1983	Kneale, III	.....	D7/545
D271,932 S *	12/1983	Mosley	.....	D7/553.5
D318,481 S *	7/1991	Milne	.....	D7/505
D333,237 S *	2/1993	Plaut	.....	D7/549
D335,796 S *	5/1993	Barnes	.....	D7/553.5

D359,594 S *	6/1995	Macri	.....	D30/133
D363,857 S *	11/1995	Sussman	.....	D7/552.2
D364,072 S *	11/1995	Keable	.....	D7/553.5
D396,953 S *	8/1998	Iversen	.....	D3/310
D396,956 S *	8/1998	Iversen	.....	D19/75
D399,095 S *	10/1998	Schmidt	.....	D7/554.1
D406,727 S *	3/1999	Weatherby	.....	D7/553.5
D563,176 S *	3/2008	Gruneisen, III	.....	D7/553.2
D564,677 S *	3/2008	Farber	.....	D25/68
D575,585 S *	8/2008	Geens	.....	D7/553.2
D583,123 S *	12/2008	Cassin, III	.....	D34/27
D669,311 S *	10/2012	Hsu	.....	D7/553.5
D687,300 S *	8/2013	Jones	.....	D9/456

(Continued)

*Primary Examiner* — Kelley A Donnelly

(74) *Attorney, Agent, or Firm* — Jacob M. Ward; Ward Law Office LLC

(57) **CLAIM**

The ornamental design for a bottle presentation board, as shown and described.

**DESCRIPTION**

FIG. 1 is a top perspective view of a bottle presentation board;

FIG. 2 is a top plan view of the bottle presentation board of FIG. 1;

FIG. 3 is a bottom plan view thereof;

FIG. 4 is a front elevational view thereof;

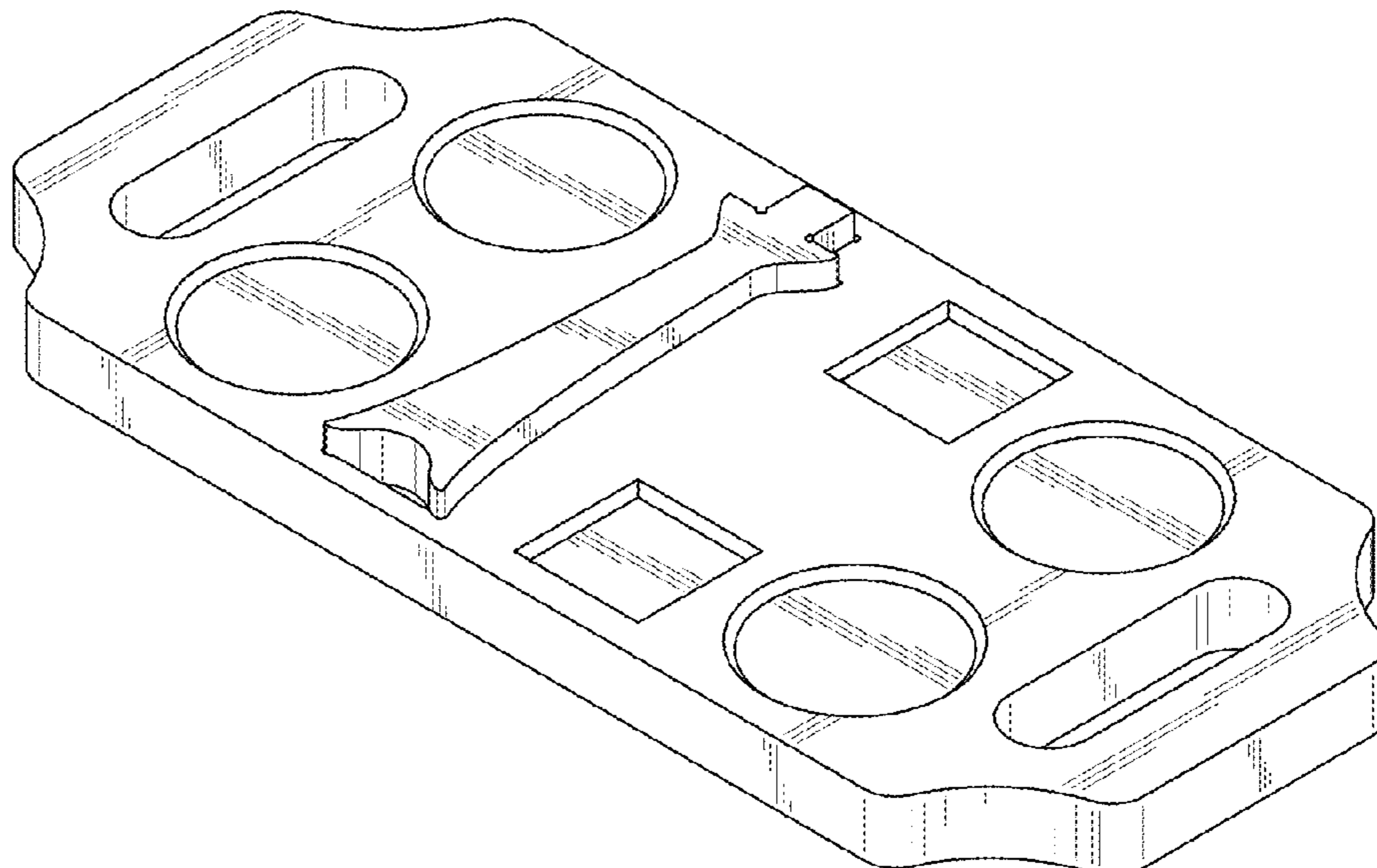
FIG. 5 is a rear elevational view thereof;

FIG. 6 is a right side elevational view thereof; and,

FIG. 7 is a top perspective view thereof, depicted in use with a wine bottle.

The ornamental design which is claimed is shown in solid lines in the drawings. The broken lines shown in the drawings are for the purpose of illustrating environment and form no part of the claimed design. A left side elevational view is not shown because it is a mirror image of the right side elevational view shown in FIG. 6.

**1 Claim, 4 Drawing Sheets**



(56)

**References Cited**

U.S. PATENT DOCUMENTS

D689,772 S *	9/2013	Jones .....	D9/456
D690,164 S *	9/2013	Lock .....	D7/553.2
D746,637 S *	1/2016	Mairinger .....	D7/553.2
D771,384 S *	11/2016	Aldredge .....	D3/313
D836,832 S *	12/2018	Kesselman .....	D27/186
D836,991 S *	1/2019	Wansink .....	D7/553.5
D891,187 S *	7/2020	DeYang .....	D7/552.1
D908,435 S *	1/2021	DeYang .....	D7/552.1
D920,058 S *	5/2021	Fiola .....	D7/698
D926,529 S *	8/2021	Mayer .....	D7/554.3
D941,953 S *	1/2022	English .....	D22/136
D942,217 S *	2/2022	Hong .....	D7/553.5

\* cited by examiner

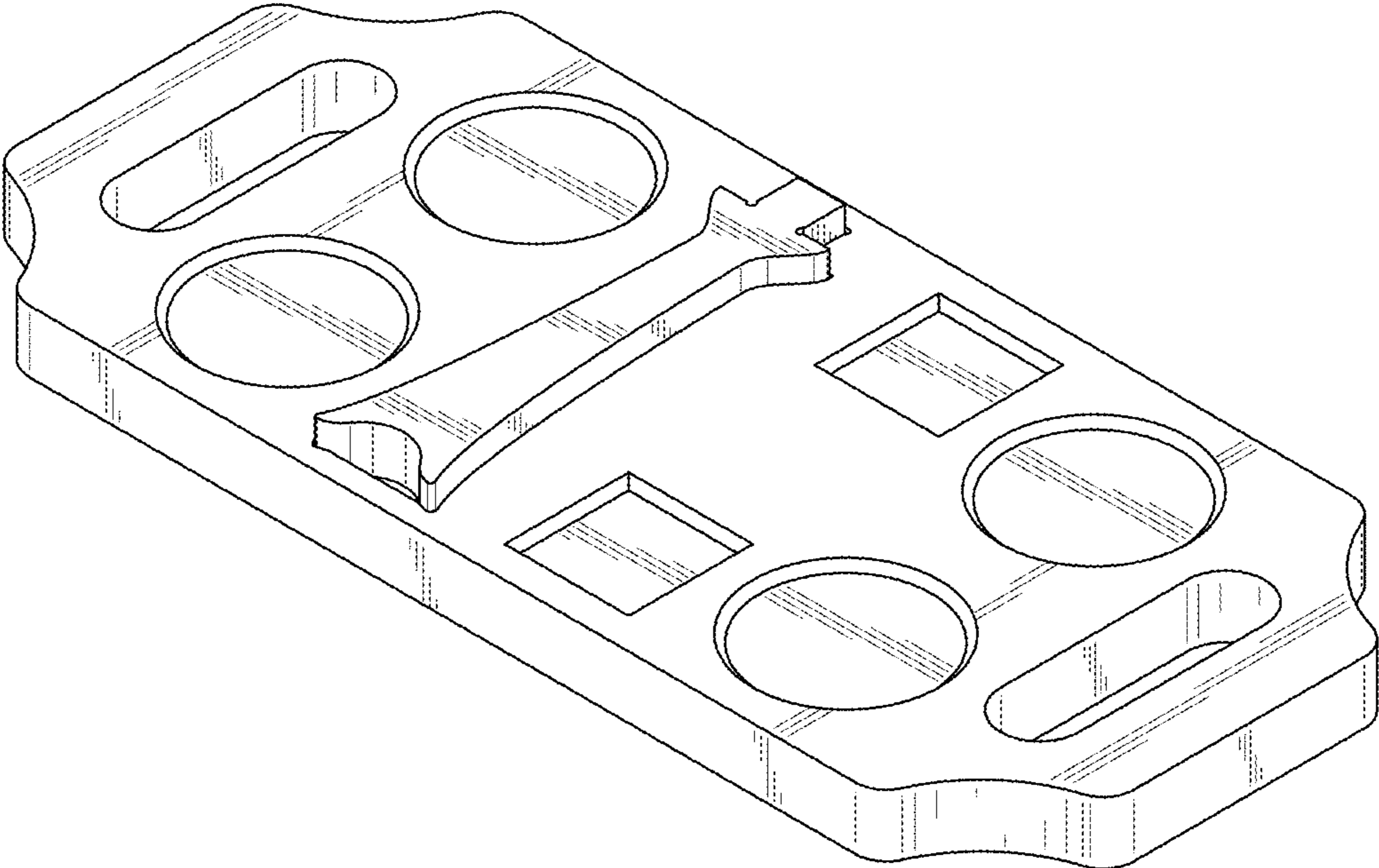


FIG. 1

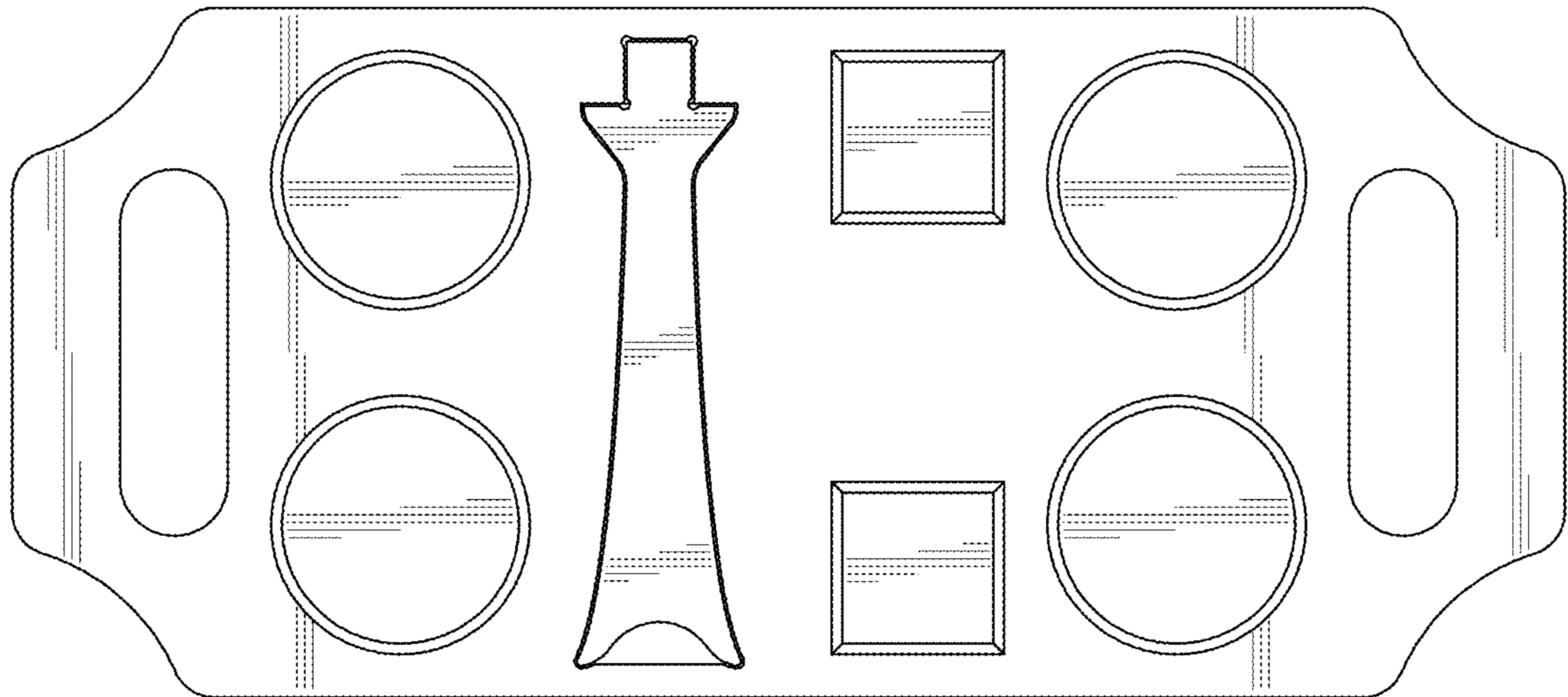


FIG. 2

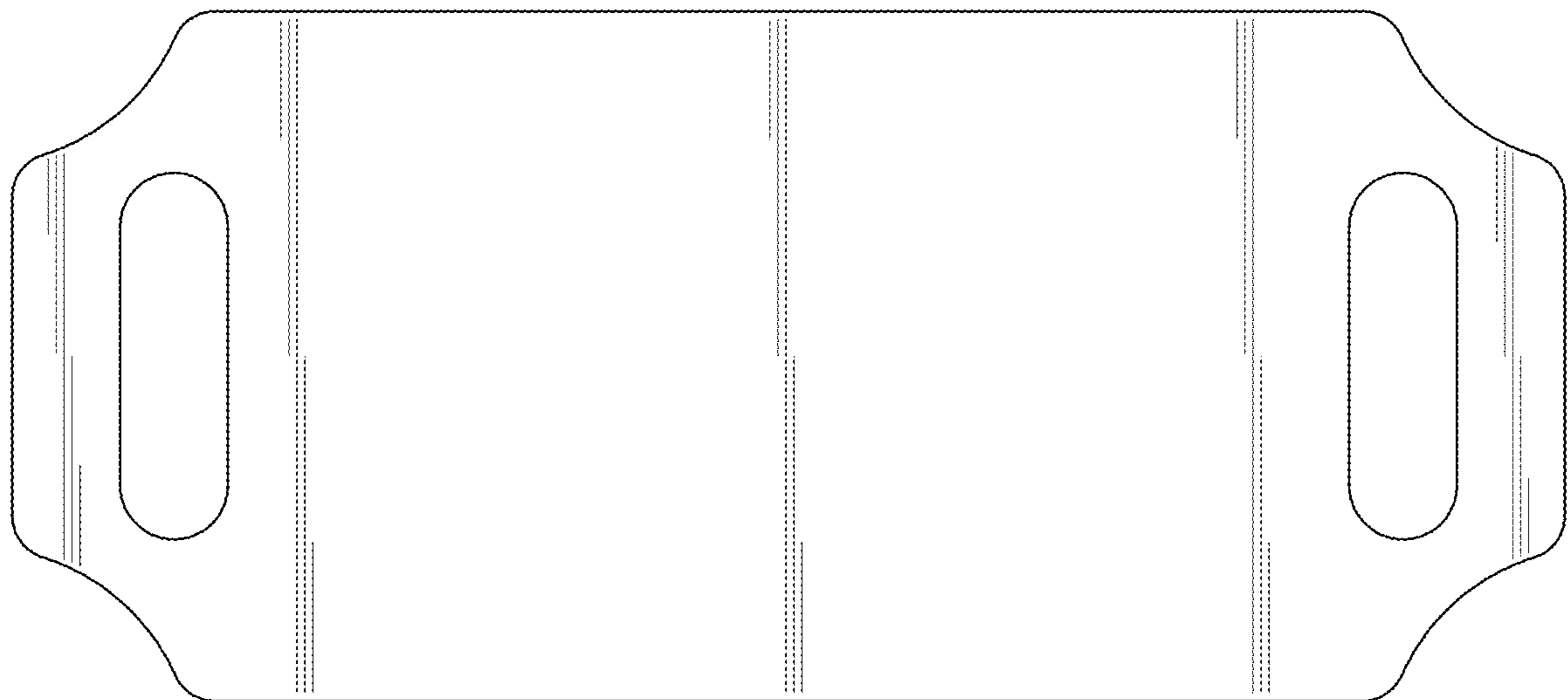


FIG. 3

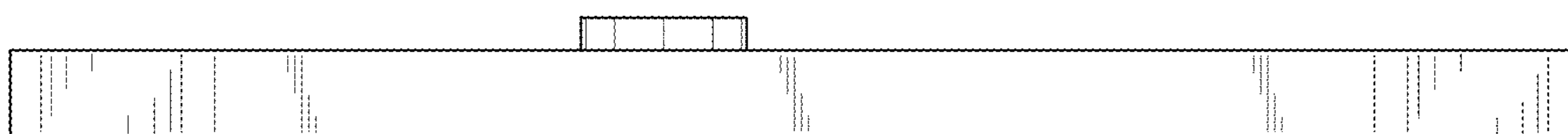


FIG. 4

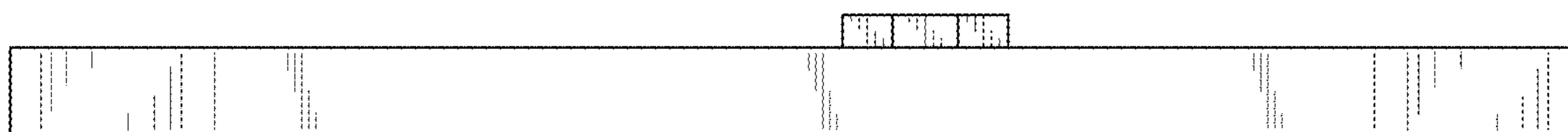


FIG. 5



FIG. 6



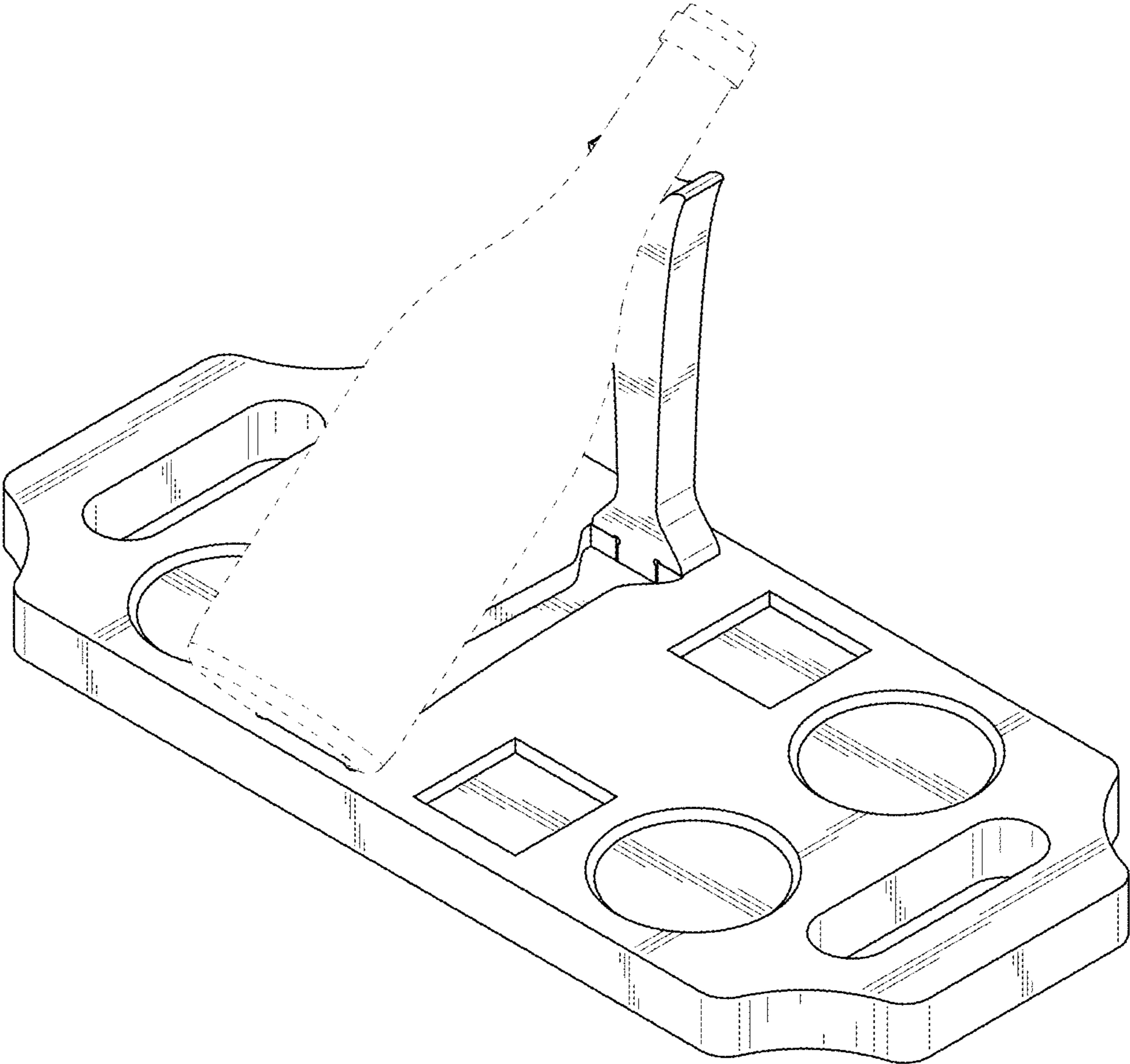


FIG. 7