

US00D964103S

(12) **United States Design Patent** (10) **Patent No.:** **US D964,103 S**  
**Getahoun** (45) **Date of Patent:** **\*\* Sep. 20, 2022**

(54) **WATER BOTTLE**

- (71) Applicant: **Alex Getahoun**, Norcross, GA (US)
- (72) Inventor: **Alex Getahoun**, Norcross, GA (US)
- (73) Assignee: **Bubble Sip, LLC**, Norcross, GA (US)
- (\*\*) Term: **15 Years**
- (21) Appl. No.: **29/794,576**
- (22) Filed: **Jun. 14, 2021**
- (51) **LOC (13) Cl.** ..... **07-01**
- (52) **U.S. Cl.**  
USPC ..... **D7/523; D9/500**
- (58) **Field of Classification Search**  
USPC ..... D7/507, 509, 510, 511, 523, 531, 532,  
D7/608, 392.1, 396.2; D9/500, 501, 502,  
D9/558, 547, 539  
CPC .... A47G 19/22; A47G 19/25; A47G 19/2288;  
A61J 41/028; A47J 41/0077; A47J 41/02  
See application file for complete search history.

(56) **References Cited**

**U.S. PATENT DOCUMENTS**

D483,264 S	*	12/2003	Canepa	.....	D9/500
D543,459 S	*	5/2007	Konieczny	.....	D9/551
D720,618 S	*	1/2015	Handy	.....	D9/500
D818,364 S	*	5/2018	Rashid	.....	D9/520
D845,770 S	*	4/2019	Berthe	.....	D9/500
D866,332 S	*	11/2019	Laib	.....	D9/500
D887,211 S	*	6/2020	Sitwell	.....	D7/532
D887,213 S	*	6/2020	Sitwell	.....	D7/532
D891,261 S	*	7/2020	Reed	.....	D9/558
D910,449 S	*	2/2021	Harte	.....	D9/503
D931,683 S	*	9/2021	Getahoun	.....	D9/500
D938,279 S	*	12/2021	Dabrowski	.....	D9/500

**OTHER PUBLICATIONS**

[https://www.amazon.com/dp/B08GQB1F83?ref\\_=cm\\_sw\\_r\\_cp\\_ud\\_dp\\_KQ6M8NKWC0DEHHJJ1VQS](https://www.amazon.com/dp/B08GQB1F83?ref_=cm_sw_r_cp_ud_dp_KQ6M8NKWC0DEHHJJ1VQS) Aug. 26, 2020 (Year: 2020).\*

\* cited by examiner

*Primary Examiner* — Jae Liang

(74) *Attorney, Agent, or Firm* — Bryan W. Bockhop;  
Bockhop Intellectual Property Law, LLC

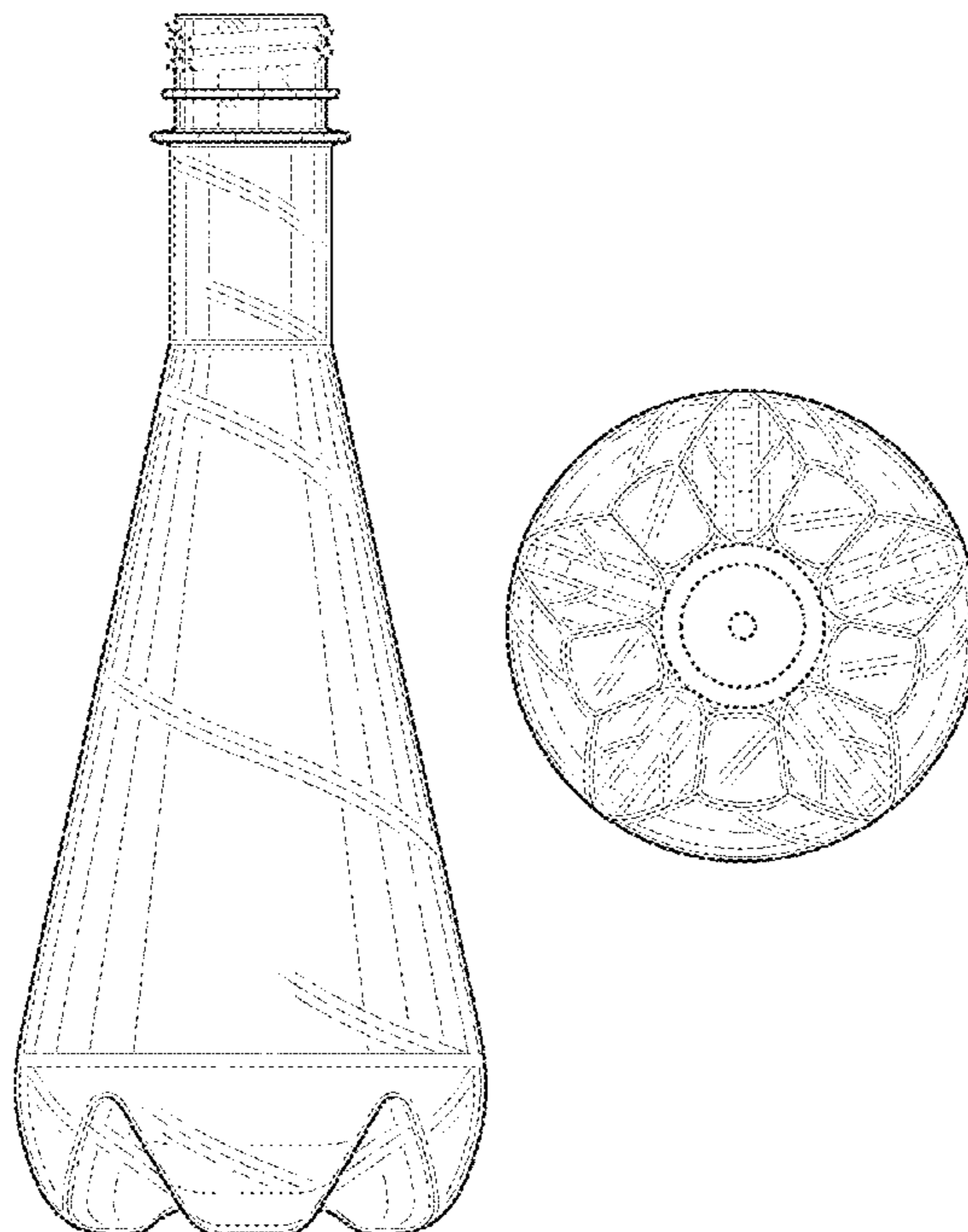
(57) **CLAIM**

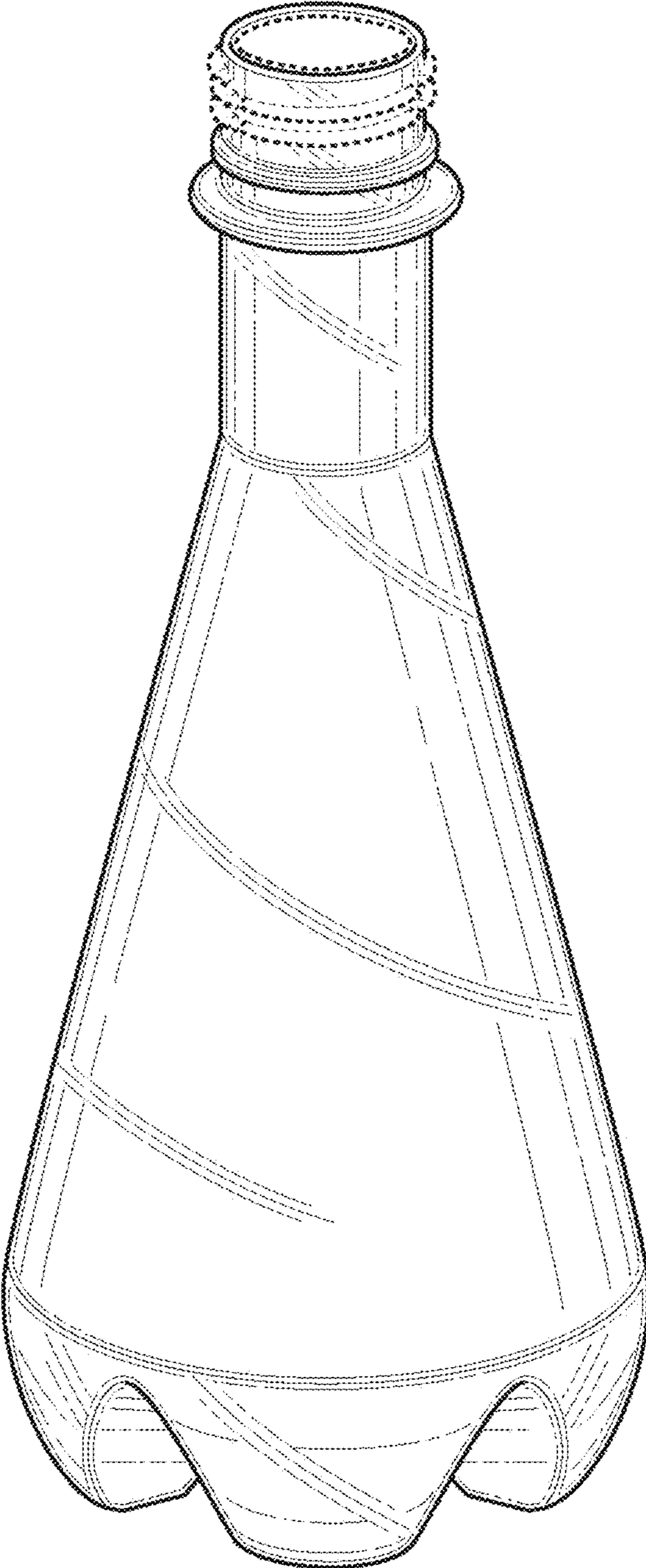
The ornamental design for a water bottle, as shown and described.

**DESCRIPTION**

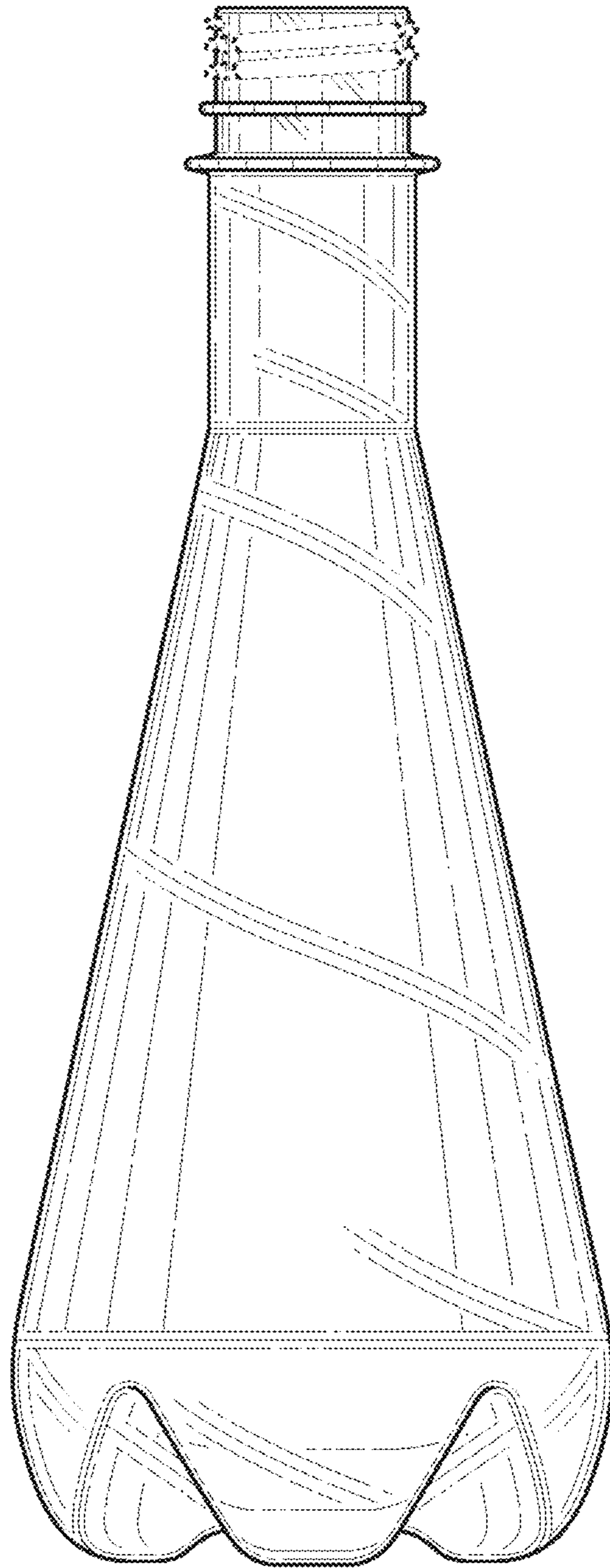
FIG. 1 is a top, front isometric view of a water bottle showing my new design;  
 FIG. 2 is a front elevational view of the water bottle shown in FIG. 1.  
 FIG. 3 is a back side elevational view of the water bottle shown in FIG. 1, the left side being a mirror image of the right side.  
 FIG. 4 is a left side elevational view of the water bottle shown in FIG. 1, the left side being a mirror image of the right side.  
 FIG. 5 is a right side elevational view of the water bottle shown in FIG. 1, the left side being a mirror image of the right side.  
 FIG. 6 is a top plan view of the water bottle shown in FIG. 1; and,  
 FIG. 7 is a bottom plan view of the water bottle shown in FIG. 1.  
 The broken lines in the drawings depict portions of the water bottle that form no part of the claimed design.

**1 Claim, 6 Drawing Sheets**

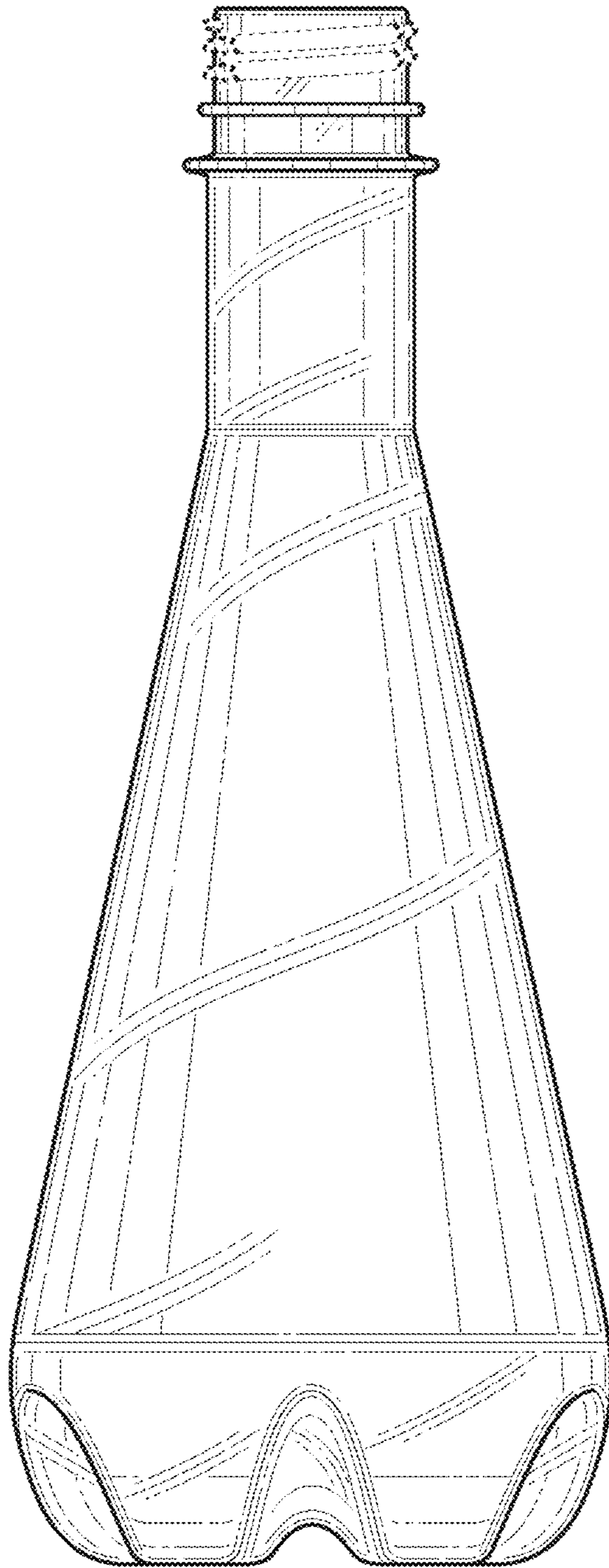




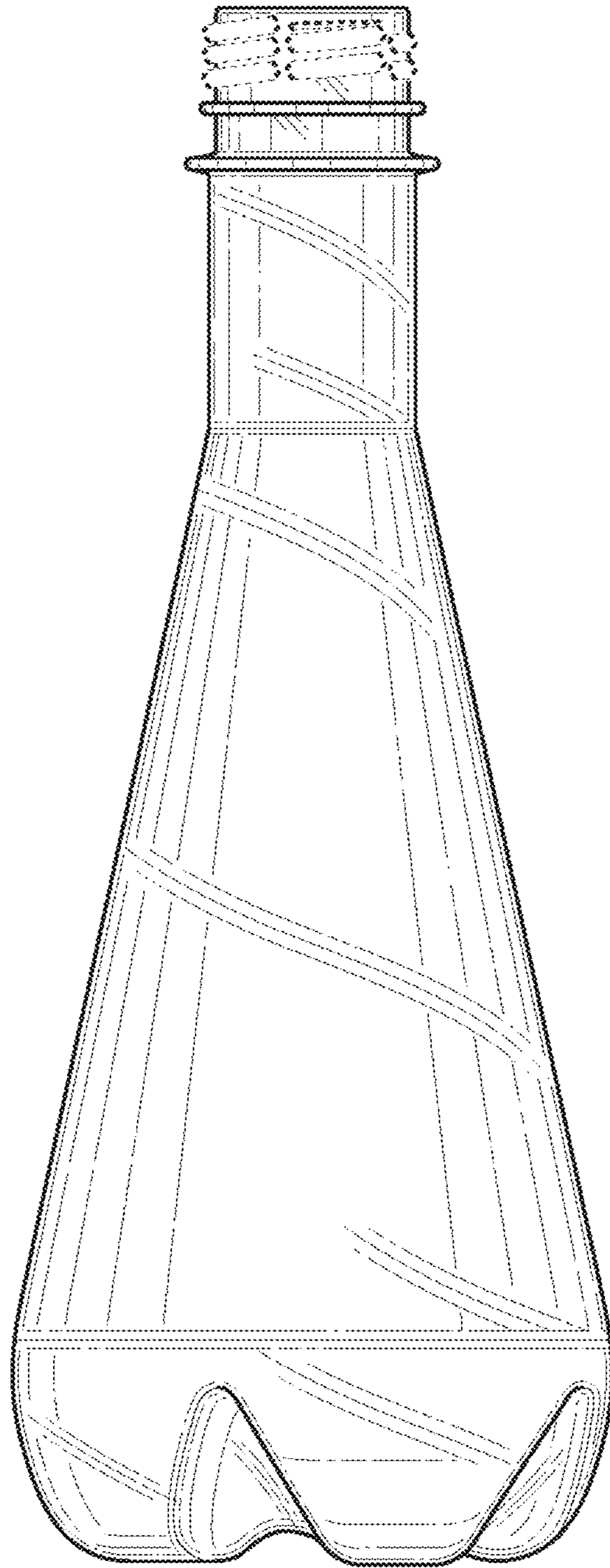
**FIG. 1**



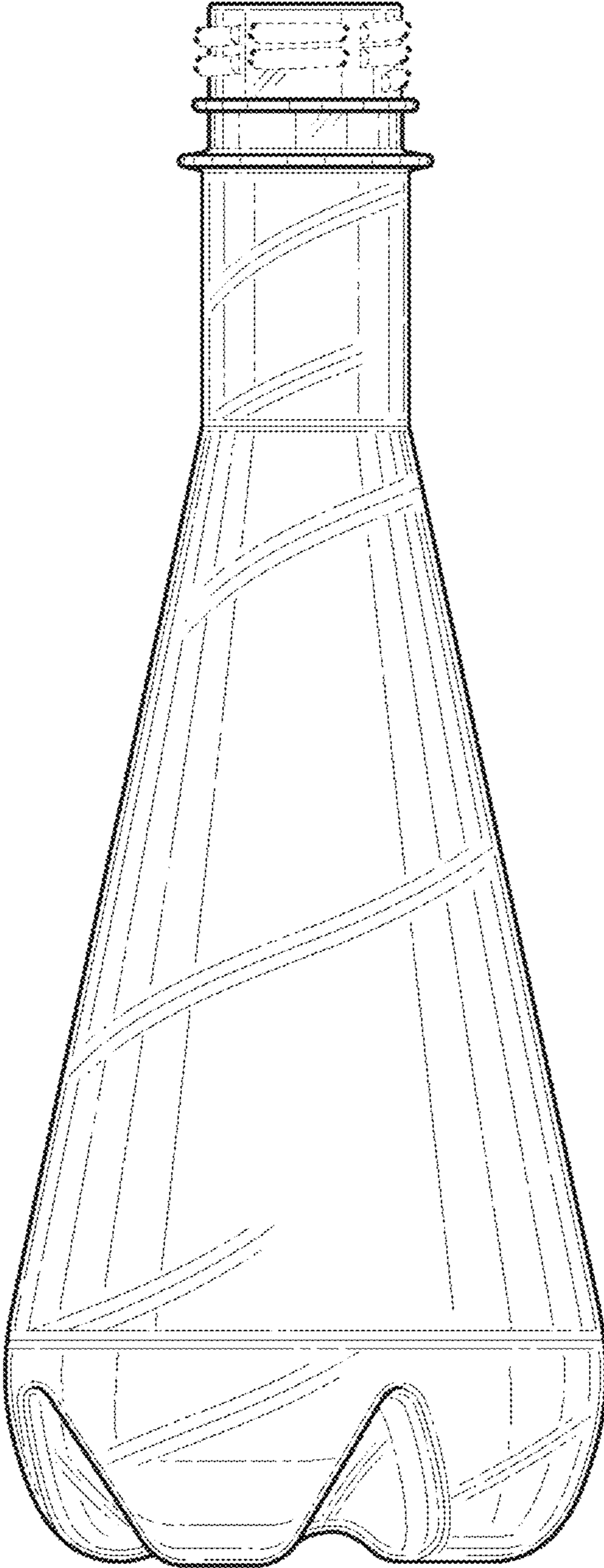
**FIG. 2**



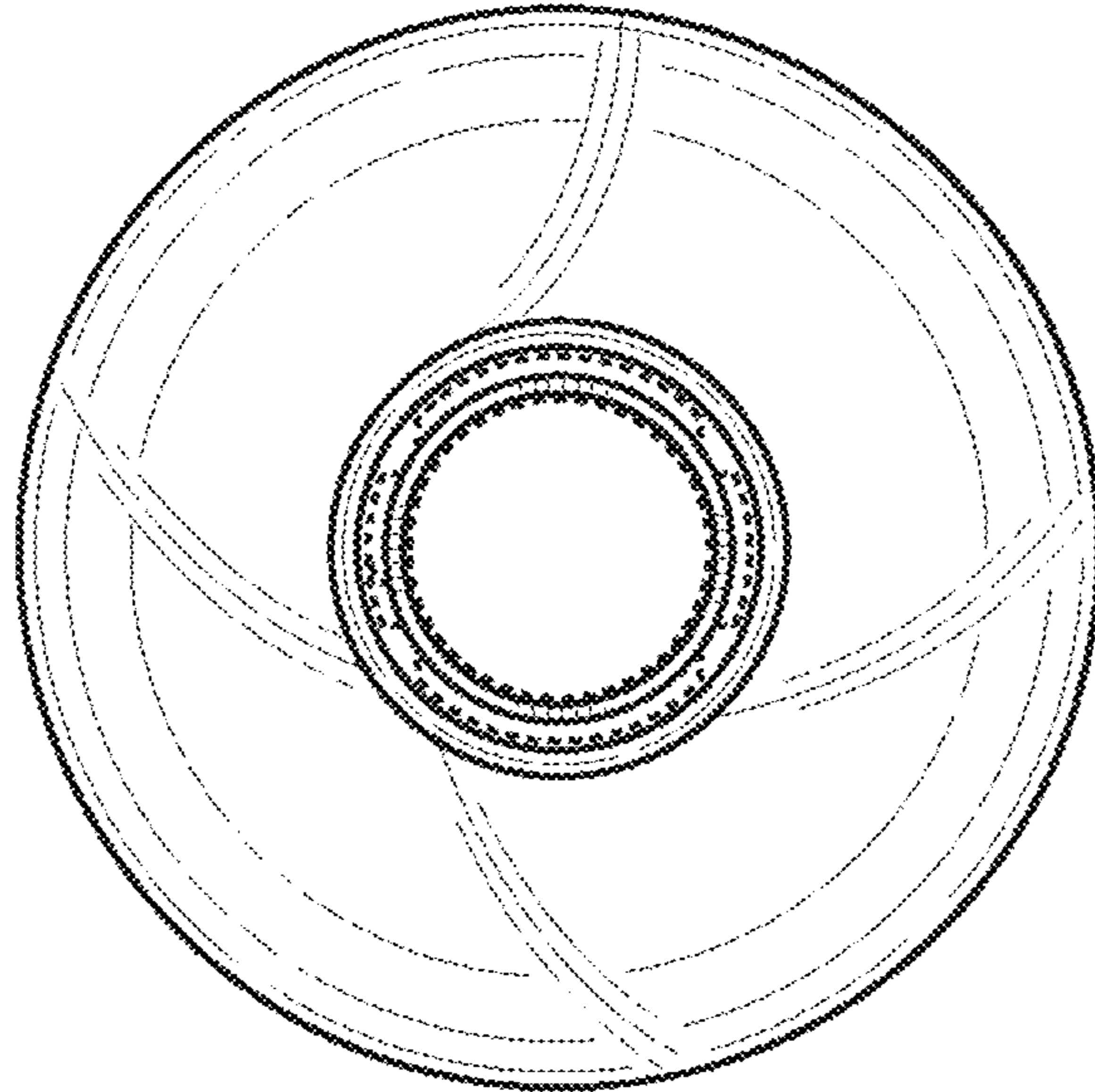
**FIG. 3**



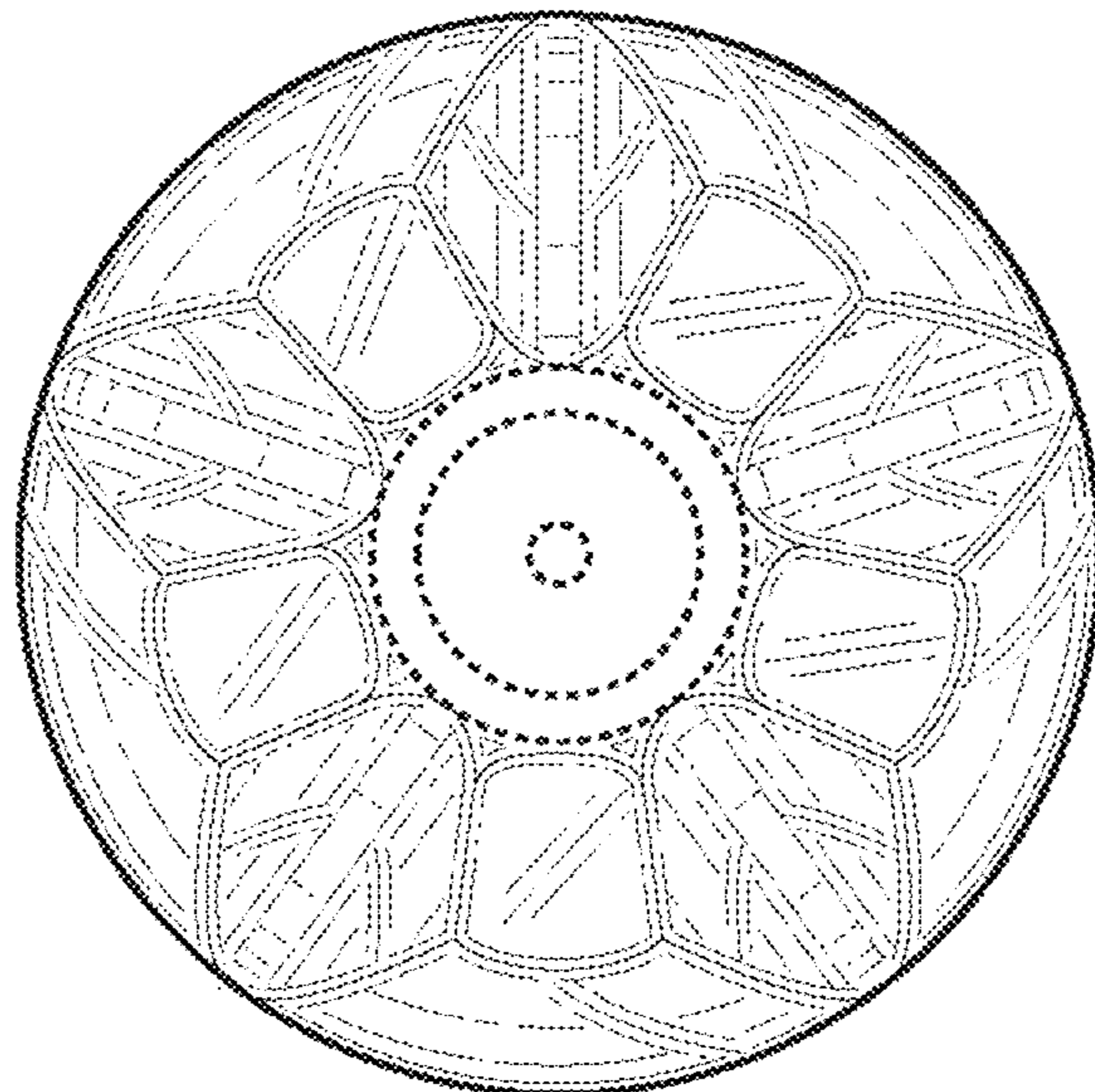
**FIG. 4**



**FIG. 5**



**FIG. 6**



**FIG. 7**