

US00D964102S

(12) **United States Design Patent** (10) **Patent No.:** **US D964,102 S**  
**Jenkins et al.** (45) **Date of Patent:** **\*\* Sep. 20, 2022**

(54) **TUMBLER**

(71) Applicant: **YETI Coolers, LLC**, Austin, TX (US)

(72) Inventors: **Cody Jenkins**, Austin, TX (US); **Liza Morris**, Austin, TX (US); **Dustin Bullock**, Austin, TX (US)

(73) Assignee: **YETI Coolers, LLC**, Austin, TX (US)

(\*\*) Term: **15 Years**

(21) Appl. No.: **29/708,802**

(22) Filed: **Oct. 9, 2019**

(51) **LOC (13) Cl.** ..... **07-01**

(52) **U.S. Cl.**  
USPC ..... **D7/510; D7/511**

(58) **Field of Classification Search**  
USPC ..... D7/507, 509, 510, 511, 523, 533, 536, D7/392.1, 396.1, 396.2, 608, 300.1, 598, D7/600, 532, 900; D9/443, 446, 449; D3/202; D29/125, 126; 220/713, 715  
CPC ..... A47G 19/2205; A47G 23/16; A47G 19/2272; A47J 41/00; A47J 41/02; A47J 41/0088; A47J 41/0077; Y10S 220/903; B65D 21/02; B65D 43/00; B65D 41/00  
See application file for complete search history.

(56) **References Cited**

**U.S. PATENT DOCUMENTS**

D2,440 S	9/1866	Matthews, Jr.
604,514 A	5/1898	Belden
899,290 A	9/1908	Bricker et al.
1,133,420 A	3/1915	Young

(Continued)

**FOREIGN PATENT DOCUMENTS**

AU	2011211425 A1	9/2011
CA	2534232 A1	2/2005

(Continued)

**OTHER PUBLICATIONS**

F-32 [online] URL: <https://www.amazon.com/F-32-Handle-Available-PREVIOUS-Rambler/dp/B01EKKXO3A/> (site visited: Feb. 11, 2022) (Year: 2016).\*

(Continued)

*Primary Examiner* — Jae Liang

*Assistant Examiner* — Tia Ruth-Renee Polidori

(74) *Attorney, Agent, or Firm* — Banner & Witcoff, Ltd.

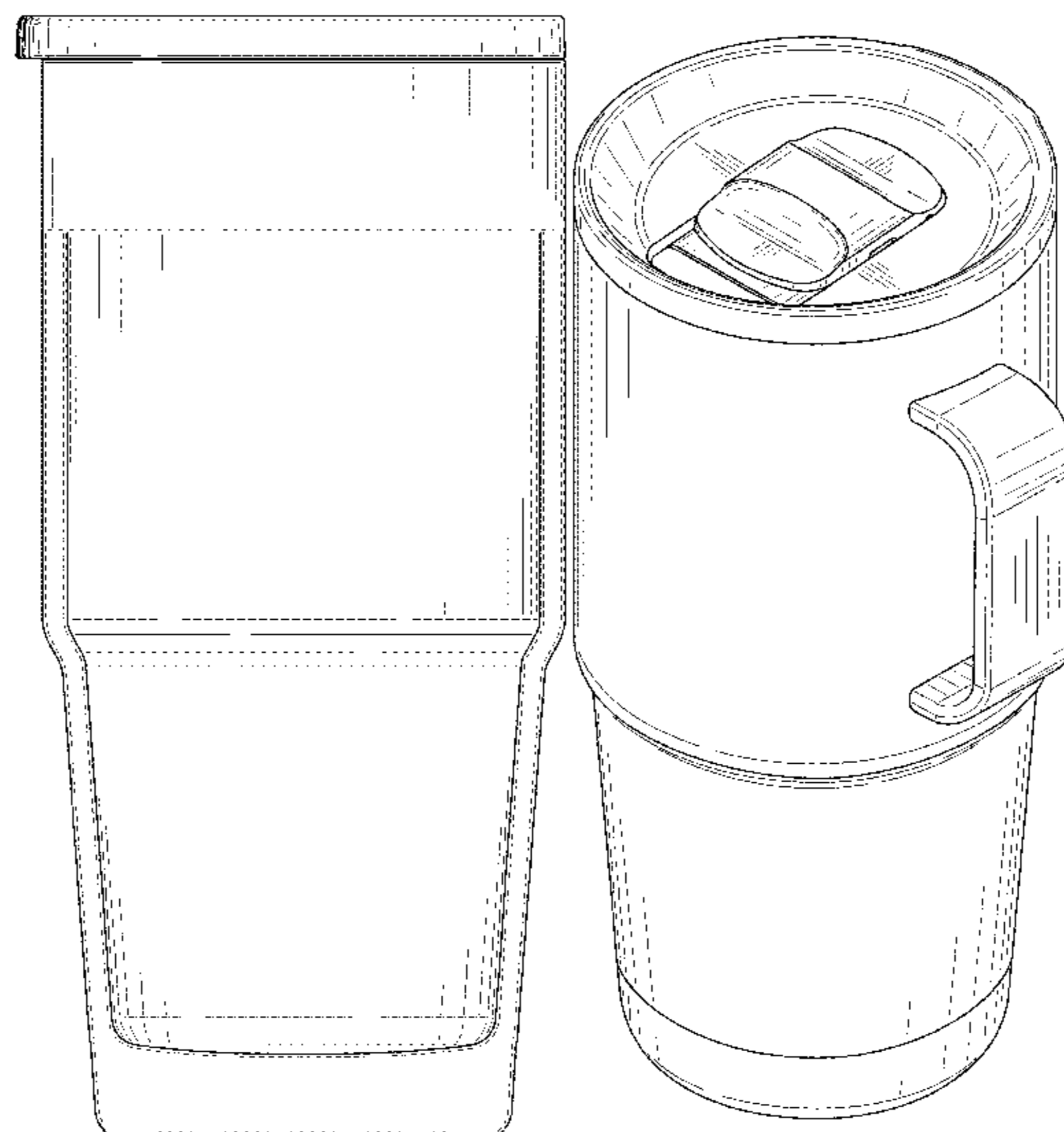
(57) **CLAIM**

The ornamental design for a tumbler, as shown and described.

**DESCRIPTION**

FIG. 1 is a top, front, right perspective view of a tumbler showing our new design; FIG. 2 is a top, rear, left perspective view thereof; FIG. 3 is a front view thereof; FIG. 4 is a rear view thereof; FIG. 5 is a right side view thereof; FIG. 6 is a left side view thereof; FIG. 7 is a top view thereof; FIG. 8 is a bottom view thereof; FIG. 9 is a cross-sectional view of FIG. 3 thereof; and, FIG. 10 is a top, front, right perspective view of a tumbler showing our new design in an alternate configuration. The broken lines depicting the remainder of the tumbler show features that form no part of the claimed design. The dash-dash broken lines in FIG. 9, which shows the cross-sectional portion of the tumbler, define the bounds of the claimed design and form no part thereof. The dot-dash broken line in FIG. 9 represents the boundary for the cross-sectional view as shown in FIG. 3. The dot-dash broken lines in FIG. 3 illustrate cross-sectional view indicia and form no part of the claimed design.

**1 Claim, 10 Drawing Sheets**



(56)

References Cited

U.S. PATENT DOCUMENTS

D47,798 S 9/1915 Pick  
 2,029,429 A 2/1936 Koons  
 2,070,414 A 2/1937 Snell  
 2,088,387 A 7/1937 Rice, Jr. et al.  
 D109,789 S 5/1938 Pershall  
 2,128,466 A 8/1938 Machotka  
 D112,150 S 11/1938 Pershall  
 D114,536 S 5/1939 Hacmac  
 D121,154 S 6/1940 Bernhardt  
 D121,644 S 7/1940 Ullman  
 2,215,402 A 9/1940 McDonald  
 2,304,214 A 12/1942 Straub  
 D135,458 S 4/1943 Gutekunst  
 2,378,867 A 6/1945 Reichart  
 D157,491 S 2/1950 Heintze  
 D166,941 S 6/1952 Appleton  
 2,643,021 A 6/1953 Freedman  
 D177,559 S 5/1956 Emmert  
 2,762,621 A 9/1956 Zumwalt  
 D180,816 S 8/1957 Bergen et al.  
 2,871,051 A 1/1959 Nessler et al.  
 D186,555 S 11/1959 Hunt  
 2,928,570 A 3/1960 Fitch  
 2,981,562 A 4/1961 Long  
 3,107,029 A 10/1963 Rylander  
 3,202,309 A 8/1965 Simpson  
 3,261,633 A 7/1966 Sakuta  
 3,342,370 A 9/1967 Johnson  
 D209,308 S 11/1967 Schilling  
 D209,533 S 12/1967 Cole  
 D211,818 S 7/1968 Massey  
 3,458,164 A 7/1969 Massey  
 D217,781 S 6/1970 Stone  
 3,679,253 A 7/1972 Simms  
 3,682,352 A 8/1972 Doucette  
 D229,006 S 11/1973 Sauey  
 3,938,690 A 2/1976 Butler  
 3,967,026 A 6/1976 Dalblom  
 3,979,011 A 9/1976 Schleicher  
 4,057,167 A 11/1977 Lee  
 4,064,305 A 12/1977 Wallin  
 4,106,124 A 8/1978 Green  
 4,120,073 A 10/1978 Studebaker  
 4,127,915 A 12/1978 Logan et al.  
 D251,175 S 2/1979 Logan et al.  
 D254,417 S 3/1980 DeMars et al.  
 D255,858 S 7/1980 Ashton  
 D256,418 S 8/1980 Corbett  
 4,291,082 A 9/1981 Stall  
 D265,159 S 6/1982 La Barbera  
 D265,279 S 7/1982 Wright  
 D265,880 S 8/1982 Craig  
 4,375,488 A 3/1983 Hogan  
 4,493,863 A 1/1985 Karlsson  
 4,560,075 A 12/1985 Lu  
 4,570,817 A 2/1986 Hambleton et al.  
 D285,032 S 8/1986 Alonzo  
 D287,451 S 12/1986 Schrock  
 D288,667 S 3/1987 Miner  
 4,654,274 A 3/1987 DeMars  
 D289,484 S 4/1987 Forquer et al.  
 4,671,988 A 6/1987 Dowell et al.  
 4,746,032 A 5/1988 Huang  
 D297,596 S 9/1988 Marquart, Sr.  
 D297,786 S 9/1988 Braungardt  
 D298,200 S 10/1988 Block et al.  
 4,819,829 A 4/1989 Rosten et al.  
 D301,289 S 5/1989 McIlhinney  
 D301,803 S 6/1989 McIlhinney  
 D301,804 S 6/1989 McIlhinney  
 D301,805 S 6/1989 McIlhinney  
 4,848,625 A 7/1989 Lucia  
 4,869,390 A \* 9/1989 Kennedy ..... A47G 19/2205  
 D307,743 S 5/1990 Pierce et al.

D314,708 S 2/1991 DeCoster  
 4,993,675 A 2/1991 Walker  
 4,997,124 A 3/1991 Kitabatake et al.  
 5,066,529 A 11/1991 Huber et al.  
 5,168,793 A 12/1992 Padamsee  
 5,208,951 A 5/1993 Aoki  
 D337,029 S 7/1993 McKechnie  
 D357,387 S 4/1995 Davidson et al.  
 5,427,269 A 6/1995 Willbrandt  
 5,433,337 A 7/1995 Willbrandt  
 D362,369 S 9/1995 Bridges  
 5,462,189 A 10/1995 Pierce  
 D370,384 S 6/1996 Shamis  
 5,531,353 A 7/1996 Ward et al.  
 D372,839 S 8/1996 Laib  
 D379,738 S 6/1997 Liming et al.  
 D382,174 S 8/1997 Grimm  
 5,655,805 A 8/1997 Shaddy  
 D384,557 S 10/1997 Goza  
 D384,646 S 10/1997 Miller et al.  
 5,678,725 A 10/1997 Yamada et al.  
 D387,620 S \* 12/1997 Trombly ..... A47G 19/2227  
 D391,401 S 3/1998 Josephs  
 D391,402 S 3/1998 Josephs  
 D391,403 S 3/1998 Josephs  
 5,727,253 A 3/1998 Wilkinson  
 D393,547 S 4/1998 Josephs  
 5,753,323 A 5/1998 Andrus  
 D395,238 S 6/1998 Freitas  
 D395,825 S 7/1998 Freitas  
 D396,381 S 7/1998 Chung  
 5,788,298 A 8/1998 Cheng  
 5,799,369 A 9/1998 Schulein  
 5,816,631 A 10/1998 Kochan  
 5,848,722 A 12/1998 Hanes  
 5,868,310 A 2/1999 Leszczynski  
 D409,840 S 5/1999 Pretorius  
 D412,806 S 8/1999 Pierce  
 5,972,479 A 10/1999 Lehman  
 D416,755 S 11/1999 Trombly  
 D416,757 S 11/1999 Ginuntoli  
 5,984,156 A 11/1999 Bridges  
 D417,365 S 12/1999 Huang  
 D417,589 S 12/1999 Parker  
 D417,819 S 12/1999 Kelly-Pollet  
 D425,374 S 5/2000 Besser et al.  
 6,061,828 A 5/2000 Josephs  
 D427,853 S \* 7/2000 Kohlhase ..... D7/510  
 D428,306 S 7/2000 Lee  
 D428,590 S 7/2000 Lagaay  
 D429,607 S 8/2000 Prim  
 6,102,458 A 8/2000 Scace  
 D432,865 S 10/2000 Cohen  
 6,127,007 A 10/2000 Cox et al.  
 6,127,022 A 10/2000 Pretorius  
 6,135,312 A 10/2000 Chen et al.  
 D433,876 S 11/2000 Freed  
 D433,877 S \* 11/2000 Bickert ..... D7/394  
 6,149,028 A 11/2000 Yu  
 D436,294 S \* 1/2001 Marek ..... D7/532  
 D436,295 S 1/2001 Furman et al.  
 D437,187 S 2/2001 Cheng  
 6,216,909 B1 4/2001 Lin  
 6,237,801 B1 5/2001 Liu  
 6,241,415 B1 6/2001 Stark  
 D444,349 S 7/2001 Lin  
 6,260,732 B1 7/2001 Khodush  
 D446,687 S 8/2001 Furman et al.  
 D448,620 S 10/2001 Neal  
 D449,963 S 11/2001 Neal  
 6,332,557 B1 12/2001 Moran  
 6,352,235 B2 3/2002 Cizek  
 6,360,913 B1 3/2002 Bruinsma et al.  
 D455,610 S 4/2002 Bridges  
 D455,613 S 4/2002 Bruinsma et al.  
 D456,212 S 4/2002 Bridges  
 D456,578 S 4/2002 Smith et al.  
 D457,389 S 5/2002 Snell

(56)

References Cited

U.S. PATENT DOCUMENTS

D457,395 S	5/2002	Gluck		7,104,413 B2	9/2006	Liu	
D457,786 S	5/2002	Wrob		D530,153 S	10/2006	Karp	
6,382,449 B1 *	5/2002	Kazmierski .....	B65D 21/086 220/4.03	D531,033 S	10/2006	Schmidtner et al.	
D458,081 S	6/2002	Bodum		D531,451 S	11/2006	Bin	
D458,082 S	6/2002	Gluck		D531,454 S	11/2006	Zerillo et al.	
6,409,038 B1	6/2002	Karp		D533,402 S	12/2006	Bin	
RE37,773 E	7/2002	Trombley		D533,403 S	12/2006	Bhavnani	
D460,324 S *	7/2002	Norris .....	D7/533	D533,747 S *	12/2006	Jin .....	D7/533
D460,895 S	7/2002	Lin		D533,748 S	12/2006	Bresler	
D461,679 S	8/2002	Robinson et al.		D533,779 S	12/2006	Schmidtner et al.	
D462,575 S	9/2002	Gluck		D534,069 S	12/2006	Ohno et al.	
D462,879 S	9/2002	Martens		D534,396 S	1/2007	Kramer	
6,450,363 B1	9/2002	Lin		D536,213 S	2/2007	Schuler et al.	
D463,715 S	10/2002	Dretzka		D536,214 S	2/2007	Schuler et al.	
D466,371 S	12/2002	Parker		D537,676 S	3/2007	Kingsley	
D469,309 S	1/2003	Janky		D537,677 S	3/2007	Bresler	
D469,658 S	2/2003	Norris et al.		D538,050 S	3/2007	Tardif	
D471,763 S	3/2003	Hurlbut et al.		7,194,951 B1 *	3/2007	Porter .....	A47J 31/44 99/287
D472,101 S	3/2003	Janky		7,195,137 B2	3/2007	Belcastro	
D472,425 S *	4/2003	Hurlbut .....	D7/533	D539,609 S	4/2007	Ying et al.	
D474,613 S	5/2003	Hexels		D541,105 S	4/2007	Jin	
D474,897 S	5/2003	Clausen et al.		7,207,538 B2	4/2007	Kent-Fawkes	
6,557,751 B2	5/2003	Puerini		D544,302 S	6/2007	Gibbons	
D475,891 S	6/2003	Bin		D545,128 S	6/2007	Liu et al.	
D476,193 S	6/2003	Janky		D545,129 S	6/2007	Tien	
D477,185 S	7/2003	Janky		D545,624 S	7/2007	Tien	
D477,532 S	7/2003	Wong		D546,125 S	7/2007	Bhavnani	
6,588,064 B2	7/2003	Baum		D548,012 S	8/2007	Tien	
6,626,326 B2	9/2003	Murakami		D548,155 S	8/2007	Eskandry	
D481,590 S	11/2003	Lin		D548,522 S	8/2007	Greenspon	
D481,591 S	11/2003	Lin		D548,523 S	8/2007	Greenspon	
D482,238 S	11/2003	Lin		D548,599 S	8/2007	Blasko	
D482,933 S	12/2003	Norris et al.		D550,032 S	9/2007	Tien	
D483,165 S	12/2003	Dretzka		D550,038 S	9/2007	Trombly	
D483,226 S	12/2003	Belton et al.		D550,503 S	9/2007	Liu	
D483,995 S	12/2003	Otake		D553,440 S	10/2007	Bodum	
D484,361 S	12/2003	Jeung		D553,910 S	10/2007	Bodum	
6,658,701 B1	12/2003	DeHart et al.		7,275,653 B2	10/2007	Tedford, Jr.	
D485,685 S	1/2004	Zupkofska et al.		7,284,777 B1	10/2007	Kraemer	
D485,992 S	2/2004	Zupkofska et al.		D554,431 S	11/2007	Tien	
D486,697 S	2/2004	Copeland		D555,430 S	11/2007	Tien	
D486,996 S	2/2004	Karp		D557,567 S	12/2007	Gronikowski et al.	
D486,997 S	2/2004	Janky		D557,902 S	12/2007	Parrish	
D488,672 S	4/2004	Oas		D558,523 S	1/2008	Bhavnani	
D488,673 S	4/2004	Farce		D560,512 S	1/2008	Safar	
D489,577 S	5/2004	Giampavolo		D560,915 S	2/2008	Crye et al.	
D490,274 S	5/2004	Irvine		D561,535 S	2/2008	Jin	
6,729,665 B1	5/2004	Posey et al.		D561,590 S	2/2008	Kingsley	
D491,136 S	6/2004	Zanzig et al.		7,328,789 B2	2/2008	Bohanan, Jr. et al.	
D491,371 S	6/2004	Livingston		D564,300 S	3/2008	Liu	
D491,372 S	6/2004	Dugas et al.		D565,901 S	4/2008	Edelstein et al.	
6,752,287 B1	6/2004	Lin		D566,471 S	4/2008	Bodum	
D493,068 S	7/2004	Slater et al.		D568,107 S	5/2008	Bhavnani	
D497,515 S *	10/2004	Bydalek .....	D7/394	D568,685 S	5/2008	Bodum	
D498,979 S	11/2004	Bhavnani		D569,182 S	5/2008	Homma	
6,824,003 B1	11/2004	Wong		D569,183 S	5/2008	Blake	
D501,091 S	1/2005	McGahee		D569,188 S	5/2008	Tornqvist	
D502,633 S	3/2005	Liu		D571,152 S	6/2008	Tien	
6,864,462 B2	3/2005	Sanoner et al.		D571,153 S	6/2008	Lopez	
D505,792 S	6/2005	Stieneker		D571,154 S	6/2008	Pearson	
D507,458 S	7/2005	Allen et al.		D572,083 S	7/2008	Tien	
6,933,023 B2	8/2005	Clausen et al.		D572,473 S	7/2008	Tuttle	
D511,653 S	11/2005	Oas		D572,474 S	7/2008	Tuttle	
6,962,265 B1	11/2005	Zhang		D572,475 S	7/2008	Tuttle	
D512,269 S	12/2005	Trombly		D573,839 S	7/2008	Sun	
D512,272 S	12/2005	Avrish		D573,840 S	7/2008	Kramer	
D512,275 S	12/2005	Kent-Fawkes		D577,260 S	9/2008	Bodum	
6,979,031 B2	12/2005	Coppotelli et al.		7,455,191 B2	11/2008	Bhavnani	
D515,358 S	2/2006	Orr et al.		D582,206 S	12/2008	Fuller	
D518,963 S	4/2006	Peterson		D583,191 S	12/2008	Wong	
D522,855 S	6/2006	Liebe et al.		D584,102 S	1/2009	Valderrama et al.	
D523,692 S	6/2006	Meehan		D584,106 S	1/2009	Wong	
D523,693 S	6/2006	Bodum		7,476,438 B2	1/2009	Gorres	
D524,607 S	7/2006	Kent-Fawkes		D586,182 S	2/2009	Trombly	
				D587,523 S	3/2009	Moon	
				D588,912 S	3/2009	Christensen et al.	
				D589,747 S	4/2009	Wong	
				D589,751 S	4/2009	Liu et al.	

(56)

References Cited

U.S. PATENT DOCUMENTS

D591,103 S	4/2009	Wong	D667,268 S	9/2012	Pallotto
7,513,380 B2	4/2009	Canedo	D667,272 S	9/2012	Fishman et al.
D591,556 S	5/2009	Fuller	D669,306 S	10/2012	Barreto et al.
D592,015 S	5/2009	Carpenter	D669,310 S	10/2012	Barreto et al.
D592,058 S	5/2009	Rapaport	D669,735 S	10/2012	Wong
D592,861 S	5/2009	Crye et al.	D670,085 S	11/2012	Brookman et al.
7,527,310 B2	5/2009	Shaskey, Sr.	D670,525 S	11/2012	Fallon et al.
D593,802 S	6/2009	Baek	D672,157 S	12/2012	Brookman
D593,859 S	6/2009	Bamum	8,340,358 B2	12/2012	Cincotti et al.
D595,133 S	6/2009	Lewis	D675,063 S	1/2013	Wahl
D598,747 S	8/2009	Caldwell	8,364,542 B2	1/2013	Grauel et al.
D600,073 S	9/2009	Carreno	D677,122 S	3/2013	Liu
D601,246 S	9/2009	Stonebraker	8,397,934 B2	3/2013	Lai
7,581,704 B1	9/2009	Pugsley	8,397,940 B2	3/2013	Steininger
7,581,770 B2	9/2009	Jones	8,403,166 B2	3/2013	Steininger
7,591,389 B2	9/2009	Wong	D679,099 S	4/2013	Johnson et al.
D602,258 S	10/2009	Simione et al.	D680,378 S	4/2013	Romley
7,604,270 B1	10/2009	McCarthy	D681,162 S	4/2013	Kruse et al.
D604,102 S	11/2009	Pearson	8,420,206 B2	4/2013	Bernegger et al.
7,611,029 B2	11/2009	Wong	8,484,809 B2	7/2013	Fiedler
D609,054 S	2/2010	Gilbert	8,495,803 B2	7/2013	Fiedler
D609,526 S	2/2010	Tuttle	8,499,951 B1	8/2013	McDonald et al.
D609,534 S	2/2010	Traficante et al.	D693,176 S	11/2013	Kaiser
7,686,183 B2	3/2010	Ziegler	D693,583 S	11/2013	Georgevitch
D613,554 S	4/2010	Koennecke	D693,649 S	11/2013	Yeung
D615,358 S	5/2010	Wahl	D696,586 S	12/2013	Huang
D615,366 S	5/2010	Berezansky	8,608,019 B2	12/2013	Wren
D615,762 S	5/2010	Kimmel	D697,319 S	1/2014	Brookman et al.
D616,248 S	5/2010	George	D698,200 S	1/2014	Lauwagie
D617,640 S	6/2010	Jones	8,636,167 B2	1/2014	Hajichristou et al.
D618,050 S	6/2010	Eisenhardt	8,640,904 B2	2/2014	Steininger et al.
D618,964 S	7/2010	Eisenhardt	D700,440 S	3/2014	Johnston
D619,419 S	7/2010	McClellan et al.	8,684,430 B1	4/2014	Brandon
D620,541 S	7/2010	Timbers	D704,986 S	5/2014	Manies
D621,659 S	8/2010	Liu	D705,012 S	5/2014	Lapsker
D622,548 S	8/2010	Jensen et al.	D709,328 S	7/2014	Ross
D625,951 S	10/2010	Baek	D709,737 S	7/2014	Weinert et al.
D628,086 S	11/2010	Tanner et al.	D709,738 S	7/2014	Weinert et al.
D629,623 S	12/2010	Lampe	D711,280 S	8/2014	Tannenbaum
D629,653 S	12/2010	Gullickson et al.	D712,701 S	9/2014	Boroski
7,845,510 B2	12/2010	Schmidtner et al.	D713,202 S	9/2014	Lin
7,850,037 B2	12/2010	Schmidtner et al.	D713,686 S *	9/2014	Eyal ..... D7/509
D631,284 S	1/2011	Fuller	D715,100 S	10/2014	Eyal
D631,539 S	1/2011	Stonebraker	8,871,327 B2	10/2014	Tsai
7,874,447 B2	1/2011	Schmidtner et al.	D716,560 S	11/2014	Boghosian
D631,699 S	2/2011	Moreau	D717,103 S	11/2014	Wilbur
D633,198 S	2/2011	Boyd	D717,605 S	11/2014	Kristinik
7,878,365 B1	2/2011	Meehan	D717,606 S	11/2014	Kristinik
D636,640 S	4/2011	Latham	D718,087 S	11/2014	Marasligiller et al.
D637,286 S	5/2011	Boyd	D719,408 S	12/2014	Weber
D638,535 S	5/2011	Stonebraker	D720,183 S	12/2014	Chiang
7,950,541 B2	5/2011	Holcomb et al.	8,899,644 B2	12/2014	Hancey
D639,423 S	6/2011	Boyd	8,919,593 B2	12/2014	Sinacori et al.
D640,062 S	6/2011	Shevtsova et al.	8,919,603 B2	12/2014	Greene
D641,557 S	7/2011	Valente et al.	8,925,756 B2	1/2015	Tarapata et al.
D643,289 S	8/2011	Harlan	D725,970 S	4/2015	Karussi et al.
D647,760 S	11/2011	Pearson	9,005,741 B1	4/2015	Hoffer et al.
D648,599 S	11/2011	Watanabe et al.	D728,311 S	5/2015	Eyal
8,061,541 B2	11/2011	Trumpp et al.	D728,313 S	5/2015	Bo
D651,045 S	12/2011	Eyal	D729,524 S	5/2015	Brencick
D652,248 S	1/2012	Valderrama et al.	D729,581 S	5/2015	Boroski
D652,256 S	1/2012	Eyal	9,021,662 B1	5/2015	Jones
D656,323 S	3/2012	Jeronimo	9,022,239 B2	5/2015	Mackenzie et al.
D656,742 S	4/2012	Culler et al.	9,038,850 B1	5/2015	Wilson
D656,743 S	4/2012	Culler et al.	D730,696 S	6/2015	Nemeth et al.
D657,961 S	4/2012	Brookman	D731,251 S	6/2015	Lane
D658,922 S	5/2012	Fallon et al.	D732,338 S	6/2015	Boroski
D659,474 S *	5/2012	Wahl ..... D7/510	D732,343 S	6/2015	Romley
D660,082 S	5/2012	Wahl	D732,895 S	6/2015	McClellan
D663,959 S	7/2012	Brookman	9,062,938 B1	6/2015	McIntosh et al.
D663,960 S	7/2012	Jeronimo	D734,092 S	7/2015	Kristinik
D664,001 S	7/2012	Liu	D734,096 S	7/2015	George et al.
8,215,519 B2	7/2012	Steininger	9,074,849 B1	7/2015	McIntosh et al.
D664,812 S	8/2012	Bickert et al.	D736,564 S	8/2015	Thornton et al.
D666,052 S	8/2012	Trombly	9,096,148 B2	8/2015	Fiedler
			D740,073 S	10/2015	Zorovich et al.
			D740,077 S	10/2015	Strepkoff
			D740,618 S	10/2015	Knoll
			D742,173 S	11/2015	Perman



(56)

## References Cited

## U.S. PATENT DOCUMENTS

2013/0320013 A1 12/2013 Bratsch  
 2014/0034080 A1 2/2014 Paquet et al.  
 2014/0117016 A1 5/2014 Hodge  
 2014/0186507 A1 7/2014 Wales  
 2015/0041480 A1 2/2015 Ramsey  
 2015/0102032 A1 4/2015 Dunn et al.  
 2015/0102046 A1 4/2015 Steininger  
 2015/0108150 A1 4/2015 Garcia  
 2015/0108152 A1 4/2015 Franzen et al.  
 2015/0164256 A1 6/2015 Helton  
 2015/0191293 A1 7/2015 Forcella  
 2015/0197390 A1 7/2015 Kurabe et al.  
 2015/0232232 A1 8/2015 Shibuki et al.  
 2015/0250341 A1 9/2015 Liu et al.  
 2015/0291316 A1 10/2015 Fietz  
 2015/0329250 A1 11/2015 Barreto et al.  
 2015/0345911 A1 12/2015 DeMille  
 2015/0351568 A1 12/2015 Blain et al.  
 2016/0272384 A1 9/2016 Lee et al.  
 2016/0298934 A1 10/2016 Mora Gamez  
 2017/0066573 A1 3/2017 Karussi et al.  
 2017/0121072 A1 5/2017 Seiders et al.  
 2017/0121073 A1\* 5/2017 Seiders ..... B65D 43/0229  
 2017/0121074 A1 5/2017 Seiders et al.  
 2017/0225855 A1 8/2017 Lawson et al.  
 2017/0273484 A1 9/2017 Spivey et al.  
 2017/0276458 A1 9/2017 Scarbrough et al.  
 2018/0127165 A1 5/2018 Smaldone et al.  
 2018/0140120 A1 5/2018 Shackelford  
 2019/0092540 A1 3/2019 Spivey et al.  
 2019/0125111 A1 5/2019 Morewitz et al.  
 2019/0152661 A1 5/2019 Seiders et al.  
 2019/0216243 A1\* 7/2019 Honig ..... F21V 23/0485  
 2019/0216245 A1\* 7/2019 Choi ..... A47G 23/0216  
 2020/0055645 A1 2/2020 Lane  
 2020/0231345 A1 7/2020 Lane et al.  
 2020/0331671 A1 10/2020 Seiders et al.  
 2020/0361672 A1 11/2020 Jinkins et al.  
 2020/0377272 A1 12/2020 Ma et al.  
 2020/0377273 A1 12/2020 Seiders et al.  
 2020/0391910 A1 12/2020 Pinelli et al.  
 2021/0047089 A1 2/2021 Seiders et al.  
 2022/0033139 A1 2/2022 Buhler et al.  
 2022/0087454 A1 3/2022 Meyers et al.

## FOREIGN PATENT DOCUMENTS

CH 561528 A5 5/1975  
 CN 3022368 12/1993  
 CN 3257925 10/2002  
 CN 3420755 1/2005  
 CN 3436801 4/2005  
 CN 2706112 Y 6/2005  
 CN 3477483 9/2005  
 CN 3511916 3/2006  
 CN 3511920 3/2006  
 CN 3513127 3/2006  
 CN 3654186 6/2007  
 CN 101037153 A 9/2007  
 CN 300734316 1/2008  
 CN 300794415 6/2008  
 CN 300973246 8/2009  
 CN 301002085 9/2009  
 CN 301303977 8/2010  
 CN 301355584 9/2010  
 CN 302004094 7/2012  
 CN 102802462 A 11/2012  
 CN 302228770 12/2012  
 CN 302251194 12/2012  
 CN 302536044 8/2013  
 CN 302595895 10/2013  
 CN 302595896 10/2013  
 CN 302599017 10/2013  
 CN 302610768 10/2013  
 CN 302634515 11/2013

CN 302637895 11/2013  
 CN 302686147 12/2013  
 CN 103479240 A 1/2014  
 CN 302706499 1/2014  
 CN 302706635 1/2014  
 CN 302711957 1/2014  
 CN 302719141 1/2014  
 CN 302732959 2/2014  
 CN 103654438 A 3/2014  
 CN 302751616 3/2014  
 CN 302770712 3/2014  
 CN 302784750 4/2014  
 CN 302823399 5/2014  
 CN 302846547 6/2014  
 CN 201330642776.X 10/2014  
 CN 303116492 3/2015  
 CN 303145228 3/2015  
 CN 303176496 4/2015  
 CN 303223158 5/2015  
 CN 303234974 6/2015  
 CN 303235036 6/2015  
 CN 303235037 6/2015  
 CN 303237155 6/2015  
 CN 303302513 7/2015  
 CN 303304733 7/2015  
 CN 303362116 9/2015  
 CN 303362118 9/2015  
 CN 303420853 10/2015  
 CN 303420854 10/2015  
 CN 303652430 11/2015  
 CN 303473079 12/2015  
 CN 303505432 12/2015  
 CN 303511274 12/2015  
 CN 303515224 12/2015  
 CN 303589339 2/2016  
 CN 303600607 3/2016  
 CN 303637208 4/2016  
 CN 303802304 8/2016  
 CN 303822422 8/2016  
 CN 303883775 10/2016  
 CN 303893125 10/2016  
 CN 303908827 11/2016  
 CN 303910226 11/2016  
 CN 303911163 11/2016  
 CN 303914569 11/2016  
 CN 303925734 11/2016  
 CN 303991353 1/2017  
 CN 304012163 1/2017  
 CN 304012164 1/2017  
 CN 304046006 2/2017  
 CN 304050011 2/2017  
 CN 304080800 3/2017  
 CN 304108559 4/2017  
 CN 304114182 4/2017  
 CN 304147508 5/2017  
 CN 304147509 5/2017  
 CN 206342283 U 7/2017  
 CN 304210706 7/2017  
 CN 304226247 8/2017  
 CN 304267436 9/2017  
 CN 304284969 9/2017  
 CN 304294393 9/2017  
 CN 304298678 9/2017  
 CN 304303134 10/2017  
 CN 304327361 10/2017  
 CN 304345278 11/2017  
 CN 304356418 11/2017  
 CN 304360902 11/2017  
 CN 304364308 11/2017  
 CN 304366727 11/2017  
 CN 304403495 12/2017  
 CN 304403505 12/2017  
 CN 304410431 12/2017  
 CN 304410432 12/2017  
 CN 304410762 12/2017  
 CN 304429381 12/2017  
 CN 304440055 1/2018  
 CN 304440069 1/2018  
 CN 304440234 1/2018

# US D964,102 S

(56)

## References Cited

### FOREIGN PATENT DOCUMENTS

CN	304464173	1/2018	EM	003832625-0001	4/2017
CN	304479189	1/2018	EM	003832625-0002	4/2017
CN	304479190	1/2018	EM	003860204-0001	4/2017
CN	304490572	2/2018	EM	003860212-0001	4/2017
CN	304490601	2/2018	EM	004127470-0001	8/2017
CN	304491164	2/2018	EM	004520138-0001	12/2017
CN	304492050	2/2018	EM	004520138-0002	12/2017
CN	304501310	2/2018	EM	004561777-0019	1/2018
CN	304501922	2/2018	EM	006147641-0006	2/2019
CN	304508262	2/2018	EM	006147641-0007	* 3/2019
CN	207306510 U	5/2018	EM	006156113-0001	4/2019
CN	207383540 U	5/2018	EM	006156113-0002	4/2019
CN	304655003	6/2018	EM	006156113-0003	4/2019
CN	108471891 A	8/2018	EM	006156113-0004	4/2019
CN	207886064 U	9/2018	EM	006156113-0005	4/2019
CN	208808068 U	5/2019	EM	006156113-0006	4/2019
CN	208851116 U	5/2019	EM	007773791-0001	4/2020
CN	305169875	5/2019	EM	008177422-0001	9/2020
CN	305169876	5/2019	EM	006354742-0002	10/2020
CN	209058675 U	7/2019	EM	008317929-0001	12/2020
CN	305476920	12/2019	EM	008317929-0002	12/2020
CN	305628850	2/2020	EM	008317929-0003	12/2020
CN	305648489 S	3/2020	EM	008317929-0004	12/2020
CN	305658999	3/2020	EM	008317929-0005	12/2020
CN	210300507 U	4/2020	EM	008317929-0006	12/2020
CN	305676247	4/2020	EM	007787692-0001	* 1/2021
CN	305740106	4/2020	EM	008484638-0001	* 11/2021
CN	111109981 A	5/2020	EP	0717949 B1	4/2002
CN	210643564 U	6/2020	EP	2432349 A1	3/2012
CN	305962065 S	8/2020	EP	2432349 B1	4/2013
CN	305978193 S	8/2020	EP	3537936 A1	9/2019
CN	305993997 S	8/2020	GB	2129117 A	5/1984
CN	306016664 S	8/2020	GB	2354579 A	3/2001
CN	306016768 S	8/2020	GB	3022368	1/2006
CN	306031191 S	9/2020	GB	6041423	* 8/2018
CN	211748590 U	10/2020	GB	6109996	12/2020
CN	306090110	10/2020	GB	6109997	12/2020
CN	306090181 S	10/2020	GB	6109998	12/2020
CN	212015230 U	11/2020	GB	6109999	12/2020
CN	306186561 S	11/2020	GB	6110000	12/2020
CN	306186641 S	11/2020	GB	6110001	12/2020
CN	306186797 S	11/2020	GB	9008317929-0001	12/2020
CN	306186841 S	11/2020	GB	9008317929-0002	12/2020
CN	306214126	12/2020	GB	9008317929-0003	12/2020
CN	306214271 S	12/2020	GB	9008317929-0004	12/2020
CN	306259892 S	1/2021	GB	9008317929-0005	12/2020
CN	212489438 U	2/2021	GB	9008317929-0006	12/2020
CN	212574644 U	2/2021	IN	280990-0001	* 3/2017
CN	112450686 A	3/2021	IN	314458-001-0001	11/2019
CN	306378710 S	3/2021	IN	314443-001-0001	12/2020
CN	212912633 U	4/2021	JP	H07313383 A	12/1995
CN	306448224 S	4/2021	JP	H11164784 A	6/1999
CN	306457158 S	4/2021	JP	H11221667 A	8/1999
CN	306474585 S	4/2021	JP	2011219125 A	11/2011
DE	102013000557 A1	7/2014	JP	2011219126 A	11/2011
EM	000252754-0003	2/2005	JP	D1507225	9/2014
EM	000252754-0006	2/2005	JP	D1675520	1/2021
EM	000365952-0002	7/2005	JP	D1680040	* 3/2021
EM	000976196-0003	7/2008	KR	20060009969 A	2/2006
EM	001077283-0001	1/2009	KR	300779301	1/2015
EM	001558552-0001	7/2009	KR	300884682.0000	* 12/2016
EM	001558552-0002	7/2009	KR	300953895.0000	4/2018
EM	001753419-0005	9/2010	KR	20190001250 A	1/2019
EM	001897141-0008	8/2011	KR	301042715.0000	* 1/2020
EM	001897141-0009	8/2011	KR	301045998	2/2020
EM	001897141-0011	8/2011	KR	301045998.0000	* 2/2020
EM	001897141-0012	8/2011	KR	301045998.00000	2/2020
EM	002384289-0001	1/2014	KR	3010460890002	* 2/2020
EM	002775078-0001	11/2015	KR	301058038	5/2020
EM	002849075-0001	11/2015	KR	301077462.0000	10/2020
EM	003326644-0001	8/2016	KR	301077816.0000	10/2020
EM	003326669-0001	8/2016	KR	3010887860001	12/2020
EM	003472091-0006	11/2016	KR	3010887860002	12/2020
EM	003472091-0007	11/2016	KR	3010887860003	12/2020
EM	003472091-0023	11/2016	KR	301100973.0000	3/2021
			WO	0162614 A1	8/2001
			WO	2006048119 A1	5/2006
			WO	2007087185 A2	8/2007
			WO	2008021523 A2	2/2008

(56)

## References Cited

## FOREIGN PATENT DOCUMENTS

WO	2008121942	A2	10/2008
WO	2011022857	A2	3/2011
WO	2012031994	A1	3/2012
WO	2012064184	A1	5/2012
WO	2012107861	A2	8/2012
WO	2013163725	A1	11/2013
WO	14040211	A1	3/2014
WO	2016204623	A1	12/2016
WO	2017075482	A1	5/2017
WO	2018089525	A1	5/2018
WO	2020047730	A1	3/2020
WO	2020086567	A1	4/2020

## OTHER PUBLICATIONS

Yeti(Mug) [online] URL: <https://www.amazon.com/YETI-Rambler-Stainless-Vacuum-Insulated/dp/B074W99X7X?th=1> (site visited:Feb. 11, 2022) (Year: 2017).\*

Yeti(Tumbler) [online] URL: <https://www.amazon.comNETI-Rambler-Stainless-Insulated-Tumbler/dp/B06WVJ8VRP/> (site visited:Feb. 11, 2022) (Year: 2017).\*

Stanley [online] URL: <https://www.youtube.com/watch?v=SgDWWyUflbo> (site visited:Feb. 11, 2022) (Year: 2020).\*

Sursip [online] URL: <https://www.amazon.com/Sursip-Stainless-Tumbler-Double-Insulated/dp/B0919XFLGP/> (site visited:Feb. 11, 2022) (Year: 2021).\*

Yeti [online] URL: <https://www.amazon.com/YETI-Rambler-Stainless-Insulated-Stronghold/dp/B098YV2WMP/> (site visited:Feb. 11, 2022) (Year: 2021).\*

Reduce HOT1 [online] URL: <https://www.picknsave.com/p/reduce-hot1-travel-mug/0084281511960> (site visited:Feb. 11, 2022) (Year: 2022).\*

Sep. 1, 2020—(CN) Third Office Action (incl. English Translation)—App. No. 201780029765.X.

United States District Court Southern District of Texas, Houston Division, “Complaint”, *YETI Coolers, LLC v. Igloo Products Corporation*, Case 4:21-cv-03203, filed Oct. 1, 2021, 54 pages.

United States District Court Western District of Texas Austin Division, “Complaint,” *YETI Coolers, LLC v. ContextLogic, Inc. d/b/a Wish.com*, Case: 1:17-cv-00937, Document #1, filed Sep. 28, 2017, 238 pages.

United States District Court Western District of Texas Austin Division, “Complaint,” *YETI Coolers, LLC v. Dunhuang Group, SZ Flowerfairy Technology Co., Ltd., Tan Er Pa Technology Co., Ltd., Shenzhen Great Electronic Technology Co., Ltd., and Huagong Trading Co.*, Case: 1:17-cv-00938, Document#1, filed Sep. 28, 2017, 272 pages.

United States District Court Western District of Texas Austin Division, “Defendant Takeya USA Corporation’s Memorandum in Support of Rule 12(b)(6) Motion to Dismiss,” *YETI Coolers, LLC v. Home Depot U.S.A., Inc., Takeya USA Corporation*, Case: 1:17-cv-00342, Document #12, filed May 25, 2017, 34 pages.

United States District Court Western District of Texas Austin Division, “Defendant Kelly Scoggins d/b/a King Engraving’s Memorandum in Support of Rule 12(b)(6) Motion to Dismiss and Motion to Take Judicial Notice,” *YETI Coolers, LLC v. JDS Industries, Inc., Lionel Landry Jr., d/b/a Accolades d/b/a Accolades Awards & Engraving, Creative and Fast LLC d/b/a Promotional Products San Antonio, Kelly Scoggins d/b/a King Engraving*, Case: 1:17-cv-00424-RP Document #65, filed Aug. 11, 2017, 28 pages.

United States District Court Western District of Texas Austin Division, “Complaint,” *YETI Coolers, LLC v. Wal-Mart Stores, Inc.*, Case: 1:17-cv-01145, Document#1, filed Dec. 8, 2017, 98 pages.

United States District Court Western District of Texas Austin Division, “Complaint,” *YETI Coolers, LLC v. Ad-N-Art Inc. (CA) d/b/a Asobu, and Ad-N-Art Inc. (US) d/b/a Asobu*, Case: 1:18-cv-00514, Document#1, filed Jun. 20, 2018, 26 pages.

United States District Court Western District of Texas Austin Division, “Complaint,” *YETI Coolers, LLC v. Hogg Outfitters, LLC*, Case: 1:18-cv-00512, Document #1, filed Jun. 20, 2018, 26 pages.

United States District Court Western District of Texas Austin Division, “Complaint,” *YETI Coolers, LLC v. Elighters Management, Inc. d/b/a Visol Products d/b/a Visol d/b/a eflasks.com*, Case: 1:18-cv-00513, Document #1, filed Jun. 20, 2018, 25 pages.

Green Steel 20oz Beast Tumbler [online], [retrieved Jul. 26, 2018], Retrieved from the Internet, URL: <[https://www.amazon.com/dp/B074L7M8DT/ref=twster\\_B01DQNHFC?\\_encoding=UTF8&th=1](https://www.amazon.com/dp/B074L7M8DT/ref=twster_B01DQNHFC?_encoding=UTF8&th=1)>; 9 sheets, published Apr. 2, 2016.

Green Steel 30oz Beast Tumbler [online], [retrieved Jul. 26, 2018], Retrieved from the Internet, URL: <https://www.amazon.com/gp/product/b01n2iyxtg> <<https://www.amazon.com/gp/product/b01n2iyxtg>>; 9 sheets, published date unknown, but for purposes of patent prosecution presumably more than a year prior to the filing date of the present application.

United States District Court Western District of Texas Austin Division, “Complaint,” *YETI Coolers, LLC v. 99 Cents Only Stores, LLC and 99 Cents Only Stores Texas, Inc.*, Case: 1:18-cv-00799, Document#1, filed Sep. 18, 2018, 102 pages.

“Fine Ceramics: Harder Than Stainless Steel”, Charactersitics of Fine Ceramics, Physical-Hardness, Fine Ceramics World (2009).

Jun. 5, 2019—(CN) Office Action—App. No. 201780029765.X.

“Bubba Classic Insulated Travel Mug, 20 Ounce”; Walmart; retrieved Oct. 17, 2019; disclosure date unknown but prior to the filing date of the present application; URL: <<https://www.walmart.com/ip/Bubba-Classic-Insulated-Travel-Mug-20-Ounce/51636951>>.

“Cold-1 Thermal Mug 40oz”; Walmart; retrieved Oct. 17, 2019; FALSEdisclosure date unknown but prior to the filing date of the present application; URL: <<https://www.walmart.com/ip/Cold-1-Thermal-Mug-40oz/880572762>>.

“Thermos Stainless King 16 Ounce Travel Mug with Handle, Midnight Blue”; Amazon; retrieved Oct. 17, 2019; published Sep. 22, 2009; URL: <<https://www.amazon.com/Thermos-Stainless-Travel-Handle-Midnight/dp/B002PY7AYI>>.

“Bubba Classic Insulated Travel Mug with Handle, 34 oz., Black”; Amazon; retrieved Oct. 17, 2019; published Jul. 26, 2010; URL: <<https://www.amazon.com/Bubba-Classic-Insulated-Travel-Handle/dp/B01DGMGBG5Q/?tag=gatheringgroundsbm-20>>.

United States District Court Western District of Texas Austin Division, “Order,” *YETI Coolers, LLC v. Ideastage Promotions, LLC, d/b/a Swag Brokers*, Case: 1:15-cv-00774-RP, Document #19, filed Dec. 21, 2015, 1 page.

United States District Court Western District of Texas Austin Division, “Complaint,” *YETI Coolers, LLC v. Imagen Brands, LLC, d/b/a Crown Products, and Ebsco Industries, Inc.*, Case: 1:16-cv-00578-RP, Document #1, filed May 16, 2016, 20 pages.

United States District Court Western District of Texas Austin Division, “Complaint,” *YETI Coolers, LLC v. Kaiser Group Inc., d/b/a Thermo Steel, d/b/a Vino2GO, d/b/a Brew2Go*, Case: 1:15-cv-00725, Document#1, filed Aug. 19, 2015, 21 pages.

United States District Court Western District of Texas Austin Division, “Complaint,” *YETI Coolers, LLC v. Kuer Outdoors, LLC*, Case: 1:16-cv-00631, Document#1, filed May 27, 2016, 89 pages.

United States District Court Western District of Texas Austin Division, “Complaint,” *YETI Coolers, LLC v. Magnum Solace LLC*, Case: 1:16-cv-00663-RP, Document#1, filed Jun. 7, 2016, 24 pages.

United States District Court Western District of Texas Austin Division, “Defendant’s Rule 12(B)(6) Motion to Dismiss For Failure to State a Claim,” *YETI Coolers, LLC v. Magnum Solace LLC*, Case: 1:16-cv-00663-RP, Document #10, filed Aug. 5, 2016, 30 pages.

United States District Court Western District of Texas Austin Division, “Defendant’s Answer,” *YETI Coolers, LLC v. Magnum Solace LLC*, Case: 1:16-cv-00663-RP, Document #34, filed Apr. 13, 2017, 7 pages.

United States District Court Western District of Texas Austin Division, “Defendant’s Answer to Plaintiff’s Complaint and Affirmative Defenses,” *YETI Coolers, LLC v. MyCrew, LLC, MyCrew Drinkware, LLC and NNRiverLife, LLC*, Case 1:16-cv-01008-RP, Document #14, filed Nov. 29, 2016, 12 pages.



(56)

**References Cited**

## OTHER PUBLICATIONS

United States District Court Western District of Texas Austin Division, "Complaint," *YETI Coolers, LLC v. MyCrew, LLC, MyCrew Drinkware, LLC and NNRiverLife, LLC*, Case: 1:16-cv-01008, Document #1, filed Aug. 26, 2016, 29 pages.

United States District Court Western District of Texas Austin Division, "Plaintiff YETI Coolers, LLC's Original Complaint," *YETI Coolers, LLC v. Ontel Products Corporation and World Pack USA, LLC*, Case: 1:17-cv-00091-RP, Document #1, filed Feb. 8, 2017, 65 pages.

United States District Court Western District of Texas Austin Division, "RTIC Drinkware's First Amended Complaint for Declaratory Judgment," *RTIC Drinkware, LLC v. YETI Coolers, LLC*, Case: 1:16-cv-00907-RP, Document #52, filed Nov. 14, 2016, 124 pages.

United States District Court Western District of Texas Austin Division, "YETI Coolers, LLC's Answer to RTIC Drinkware's First Amended Complaint," *RTIC Drinkware, LLC v. YETI Coolers, LLC*, Case: 1:16-cv-00907-RP, Document #58, filed Dec. 1, 2016, 15 pages.

United States District Court Western District of Texas Austin Division, "YETI Coolers, LLC's Answer to RTIC Drinkware LLC's Complaint," *RTIC Drinkware, LLC v. YETI Coolers, LLC*, Case: 1:16-cv-00907-RP, Document #35, filed Aug. 9, 2016, 27 pages.

United States District Court for the Southern District of Texas Houston Division, "RTIC Drinkware's Original Complaint or Declaratory Judgment, Damages, and Injunctive Relief," *RTIC Drinkware, LLC v. YETI Coolers, LLC*, Case: 4:16-cv-01201, Document#1, filed May 2, 2016, 58 pages.

United States District Court Western District of Texas Austin Division, "Order," *RTIC Drinkware, LLC v. YETI Coolers, LLC*, Case: 1:16-cv-00907-RP, Document #47, filed Oct. 13, 2016, 3 pages.

United States District Court Western District of Texas Austin Division, "YETI Coolers, LLC's First Amended Complaint," *YETI Coolers, LLC v. RTIC Coolers, LLC, RTIC Drinkware, LLC, RTIC Web Services, LLC, Corporate Support & Fulfillment, LLC, John Jacobsen, and James Jacobsen*, Case: 1:16-cv-00264-RP, Document #15, filed May 16, 2016, 110 pages.

United States District Court Western District of Texas Austin Division, "Defendant RTIC Drinkware, LLC, RTIC Web Services, LLC, Corporate Support & Fulfillment, LLC, John Jacobsen, and James Jacobsen's Answer and Counterclaims to YETI's First Amended Complaint for Damages and Injunctive Relief," *YETI Coolers, LLC v. RTIC Coolers, LLC, RTIC Drinkware, LLC, RTIC Web Services, LLC, Corporate Support & Fulfillment, LLC; John Jacobsen and James Jacobsen*, Case: 1:16-cv-00264-RP, Document #25, filed Jun. 13, 2016, 42 pages.

United States District Court Western District of Texas Austin Division, "Complaint," *YETI Coolers, LLC v. RTIC Coolers, LLC*, Case: 1:16-cv-00264, Document#1, filed Mar. 2, 2016, 34 pages.

United States District Court Western District of Texas Austin Division, "YETI Coolers, LLC's Answer to RTIC Drinkware, LLC's, RTIC Web Services, LLC's, Corporate Support & Fulfillment, LLC's, John Jacobsen's, and James Jacobsen's Counterclaims," *YETI Coolers, LLC v. RTIC Coolers, LLC, RTIC Drinkware, LLC, RTIC Web Services, LLC, Corporate Support & Fulfillment, LLC, John Jacobsen, and James Jacobsen*, Case: 1:16-cv-00264-RP, Document #31, filed Jul. 7, 2016, 7 pages.

United States District Court Western District of Texas Austin Division, "First Amended Complaint," *YETI Coolers, LLC v. Sam's West, Inc., and Sam's East, Inc.*, Case: 1:16-cv-00829-RP, Document #32, filed Jan. 9, 2017, 24 pages.

United States District Court Western District of Texas Austin Division, "Defendants Sam's West, Inc. and Sam's East, Inc.'s Answer to Complaint," *YETI Coolers, LLC v. Sam's West, Inc., and Sam's East, Inc.*, Case: 1:16-cv-00829-RP, Document #16, filed Aug. 26, 2016, 11 pages.

United States District Court Western District of Texas Austin Division, "Complaint," *YETI Coolers, LLC v. Sam's West, Inc., and Sam's East, Inc.*, Case: 1:16-cv-00829, Document#1, Jun. 30, 2016, 21 pages.

United States District Court Western District of Texas Austin Division, "First Amended Complaint," *YETI Coolers, LLC v. Sic Products LLC, d/b/a Sic Cups, d/b/a Sic*, Case: 1:16-cv-00117-RP, Document #34, Nov. 21, 2016, 25 pages.

United States District Court Western District of Texas Austin Division, "Sic Products, LLC's Answer, Affirmative Defenses, and Counterclaims to Plaintiff's Amended Complaint," *YETI Coolers, LLC v. Sic Products LLC, d/b/a Sic Cups, d/b/a Sic*, Case: 1:16-cv-00117-RP, Document #35, Dec. 5, 2016, 81 pages.

United States District Court Western District of Texas Austin Division, "Sic Products, LLC's Answer, Affirmative Defenses, and Counterclaims to Plaintiffs Complaint," *YETI Coolers, LLC v. Sic Products LLC, d/b/a Sic Cups, d/b/a Sic*, Case: 1:16-cv-00117-RP, Document #14, Jun. 3, 2016, 38 pages.

United States District Court Western District of Texas Austin Division, "Complaint," *YETI Coolers, LLC v. Sic Products LLC, d/b/a Sic Cups, d/b/a Sic*, Case: 1:16-cv-00117-RP, Document #1, Feb. 4, 2016, 23 pages.

United States District Court Western District of Texas Austin Division, "YETI Coolers, LLC's Answer to SIC Products, LLC Counterclaims," *YETI Coolers, LLC v. Sic Products LLC, d/b/a Sic Cups, d/b/a Sic*, Case: 1:16-cv-00117-RP, Document #21, Sep. 29, 2016, 15 pages.

United States District Court Western District of Texas Austin Division, "YETI Coolers, LLC's Answer to SIC Products, LLC Counterclaims to YETI Coolers, LLC's Amended Complaint," *YETI Coolers, LLC v. Sic Products LLC, d/b/a Sic Cups, d/b/a Sic*, Case: 1:16-cv-00117-RP, Document #38, Dec. 19, 2016, 20 pages.

United States District Court Western District of Texas Austin Division, "Complaint," *YETI Coolers, LLC v. The Allen Company, d/b/a Allen Color Craft*, Case: 1:15-cv-00888-RP, Document #1, Oct. 6, 2015, 24 pages.

United States District Court Western District of Texas Austin Division, "Complaint," *YETI Coolers, LLC v. Titan Custom Products, Inc.*, Case: 1:15-cv-00775, Document #1, Sep. 2, 2015, 22 pages.

United States District Court Western District of Texas Austin Division, "Answer," *YETI Coolers, LLC v. Tree Leaf Marketing, LLC d/b/a Big Frig*, Case: 1:16-cv-00699-RP, Document #11, Oct. 21, 2016, 8 pages.

United States District Court Western District of Texas Austin Division, "Complaint," *YETI Coolers, LLC v. Tree Leaf Marketing, LLC d/b/a Big Frig*, Case: 1:16-cv-00699, Document #1, Jun. 17, 2016, 33 pages.

United States District Court Western District of Texas Austin Division, "Complaint," *YETI Coolers, LLC v. US Imprints, LLC, d/b/a GOimprints*, Case: 1:15-cv-00773, Document#1, Sep. 2, 2015, 22 pages.

United States District Court Western District of Texas Austin Division, "Order," *YETI Coolers, LLC v. US Imprints, LLC, d/b/a GOimprints*, Case: 1:15-cv-00773-RP, Document #23, Apr. 25, 2016, 1 page.

United States District Court Western District of Texas Austin Division, "Veterinary Internet Company, LLC d/b/a VetInternetCo's Answer to Plaintiff's Complaint," *YETI Coolers, LLC v. Polar Pad LLC, d/b/a Polar Drifter, d/b/a Polar Pad, and Veterinary Internet Company, LLC, d/b/a VetInternetCo*, Case: 1:16-cv-00677-RP, Document #11, Aug. 19, 2016, 12 pages.

United States District Court Western District of Texas Austin Division, "Complaint," *YETI Coolers, LLC v. Polar Pad LLC, d/b/a Polar Pad Drifter, d/b/a Polar Pad, and Veterinary Internet Company, LLC, d/b/a VetInternetCo*, Case: 1:16-cv-00128, Document#1, Feb. 12, 2016, 24 pages.

United States District Court Western District of Texas Austin Division, "Complaint," *YETI Coolers, LLC v. Polar Pad LLC, d/b/a Polar Pad Drifter, d/b/a Polar Pad, and Veterinary Internet Company, LLC, d/b/a VetInternetCo*, Case: 1:16-cv-00677. Document#1, Jun. 10, 2016, 25 pages.

(56)

## References Cited

## OTHER PUBLICATIONS

United States District Court Western District of Texas Austin Division, “Order,” *YETI Coolers, LLC v. Polar Pad LLC, d/b/a Polar Pad Drifter, d/b/a Polar Pad, and Veterinary Internet Company, LLC, d/b/a VetInternetCo*, Case: 1:16-cv-00128-RP, Document #17, Jun. 17, 2016, 1 page.

United States District Court Western District of Texas Austin Division, “[Proposed] Order Granting Stipulated Motion to Dismiss Defendant Polar Pad, LLC, Without Prejudice, Pursuant to Fed. R. Civ. P. 21,” *YETI Coolers, LLC v. Polar Pad LLC, d/b/a Polar Pad Drifter, d/b/a Polar Pad, and Veterinary Internet Company, LLC, d/b/a VetInternetCo*, Case 1:16-cv-00677-RP, Document #14, Sep. 15, 2016, 1 page.

United States District Court Western District of Texas Austin Division, “Complaint,” *YETI Coolers, LLC v. Vickery Products, LLC d/b/a Axis Cups, f/d/b/a Frio Cups*, Case: 1:17-cv-00260, Document #1, Mar. 24, 2017, 52 pages.

United States District Court Western District of Texas Austin Division, “First Amended Complaint,” *YETI Coolers, LLC v. Wal-Mart Stores, Inc. and Olympia Tools International, Inc.*, Case: 1:16-cv-00454-RP, Document #17, May 24, 2016, 26 pages.

United States District Court Western District of Texas Austin Division, “Complaint,” *YETI Coolers, LLC v. Wal-Mart Stores, Inc.*, Case: 1:16-cv-00454, Document #1, Apr. 8, 2016, 29 pages.

United States District Court Western District of Texas Austin Division, “Olympia Tools International, Inc.’s Answer to YETI Coolers, LLC’s First Amended Complaint,” *YETI Coolers, LLC v. Wal-Mart Stores, Inc. and Olympia Tools International, Inc.*, Case: 1:16-cv-00454-RP, Document #28, Jul. 14, 2016, 12 pages.

United States District Court Western District of Texas Austin Division, “Wal-Mart Stores, Inc.’s Answer to First Amended Complaint,” *YETI Coolers, LLC v. Wal-Mart Stores, Inc. and Olympia Tools International, Inc.*, Case: 1:16-cv-00454-RP, Document #22, Jun. 7, 2016, 13 pages.

United States District Court Western District of Texas Austin Division, “Plaintiffs’ Complaint for Damages and Injunctive Relief,” *YETI Coolers, LLC v. Houssam Rabi d/b/a Hoo-Sizzy*, Case 1:17-cv-00418, Document 1, filed May 5, 2017, 84 pages.

United States District Court Western District of Texas Austin Division, “Complaint” *YETI Coolers, LLC v. Zhejiang Zhuosheng Industry & Trade Co, Ltd., d/b/a Wuyi Zhuosheng Household Metal Products Co., Ltd., d/b/a Yongkang Zhuosheng Metal Products Co., Ltd., d/b/a Zhejiang Zhuosheng Industry & Trade Co, Ltd.*, Case 1:17-cv-00821, Document 1, filed Aug. 23, 2017, 27 pages.

United States District Court Western District of Texas Austin Division, “Second Amended Complaint,” *YETI Coolers, LLC v. Sam’s West, Inc., and Sam’s East, Inc., and CY Top, Ltd.*, Case: 1:16-cv-00829-RP, Document #51, filed Sep. 22, 2017, 49 pages.

United States District Court Western District of Texas Austin Division, “Complaint,” *YETI Coolers, LLC v. Bonanza.com, Inc.*, Case: 1:17-cv-00935, Document #1, filed Sep. 28, 2017, 142 pages.

United States District Court Western District of Texas Austin Division, “Complaint,” *YETI Coolers, LLC v. Alibaba Group Holding Limited, Alibaba (China) Technology Co., Ltd., Alibaba.com Hong Kong Limited, Alibaba.com Singapore E-Commerce Private Limited, Hangzhou Alibaba Advertising Co Ltd., and Huizhou Dashu Trading Co., Ltd.*, Case: 1:17-cv-00936, Document #1, filed Sep. 28, 2017, 272 pages.

United States District Court Western District of Texas, Austin Division, “Complaint for Damages and Injunctive Relief,” *YETI Coolers, LLC v. Hooked Coolers, Inc.*, Case 1:21-cv-00633, Document 1, filed Jul. 16, 2021, 28 pages.

“Tervis Lids”, retrieved from <http://www.tervis.com/designs/Accessories/Travel-lids/dc0fe00377e0ec722da5bd146541427c#!upc=093597437694&upc=093597240386> on Sep. 10, 2015.

Aladdin, “Recycled & Recyclable Travel Mug—Grey Replacement Lid”, retrieved from <http://www.shopaladdin-pmi.com/product/recycled-recyclable-travel-mug-grey-replacement-lid> on Sep. 10, 2015.

Zak! Designs, “Grip 16 oz Travel Coffee Mug—Sapphire”, retrieved from [http://www.zak.com/planet\\_zak\\_blue\\_stainless\\_steel\\_water\\_bottle\\_0187-5720](http://www.zak.com/planet_zak_blue_stainless_steel_water_bottle_0187-5720) on Sep. 10, 2015.

Promotional Items, Inc., “Stainless Steel 14 oz. Tool Box Travel Mug Lid”, retrieved from [http://www.promotional-items-inc.com/catalog/stainless\\_steel\\_14oz\\_tool\\_box\\_travel\\_mug\\_lid.html](http://www.promotional-items-inc.com/catalog/stainless_steel_14oz_tool_box_travel_mug_lid.html) on Sep. 10, 2015.

“Starbucks® Stainless Steel Logo Tumbler, 16 fl oz”, retrieved from <http://store.starbucks.com/starbucks-stainless-steel-logo-tumbler-16-fl-oz-011023529.html> on Nov. 3, 2015.

“Corkcicle Tumbler”, retrieved from <http://corkcicle.com/pages/tumbler> on Nov. 3, 2015.

“Tervis Travel Lids”, Tervis.com, captured Nov. 20, 2015, pp. 1.

“Stainless Steel Tumbler”, Starbucks.com, captured Nov. 20, 2015, pp. 1.

“Tumbler”, Corkcicle.com, captured Nov. 20, 2015, pp. 1-2.

Apr. 4, 2017—(PCT) International Search Report and Written Opinion—App PCT/US2016/059514.

Dick’s Sporting Goods. YETI 10/20 oz. Rambler Mag Slider Lid. Jun. 2017 [earliest online date], [site visited Oct. 26, 2017]. Available from Internet, <URL: <https://www.dickssportinggoods.com/p/yeti-10-20-ozrambler-mag-slider-lid-17yeta1020mgslrdlr/17yeta1020mgslrdldr>>. (Year: 2017).

Dec. 10, 2018—(AU) Examination Report—App No. 2016343757—MM.

Jan. 16, 2019—(CA)—Examiner’s Report—App 3,003,731.

Jul. 15, 2019—(CN)—First Office Action—App 201680075940.4.

Oct. 7, 2019—(CA) Examiner’s Report—App 3,003,731.

Second photographic image of YETI 30oz Rambler Tumbler, published date unknown, but prior to the filing date of the present application.

The Product Farm, “BeerNStein Rocks Tumbler Lid—Blue”, retrieved from <http://store.theproductfarm.com/beerstein-rocks-tumbler-lid-blue/> on Aug. 27, 2015.

Hit Promotional Products, “24 Oz. Biggie Tumbler with Lid”, retrieved from <http://www.hitpromo.net/product/show/5853/24-oz-biggie-tumbler-with-lid> on Aug. 27, 2015.

The Alexon Group, “16 Oz. Stainless Steel Travel Mug with Slide Action Lid and Plastic Inner Liner”, retrieved from <https://alexongroup.com/16-oz-stainless-steel-travel-mug-with-slide-action-lid-and-plastic-inner-liner> on Aug. 27, 2015.

“New 16oz Insulated Coffee Travel Mug Stainless Steel Double Wall Thermos Tumbler”, retrieved from <http://www.ebay.com/itm/New-16oz-Insulated-COFFEE-TRAVEL-MUG-Stainless-Steel-Double-Wall-Thermos-Tumbler-/171416296921> on Aug. 27, 2015.

“Stainless Steel Travel Mug with Slide Action Lid and Plastic Inner Liner—16oz”, retrieved from <http://waterbottles.com/stainless-steel-travel-mug-with-slide-action-lid-and-plastic-inner-liner-16-oz> on Aug. 27, 2015.

Vat19, “16 oz. Dual Auto/USB Heated Mug”, retrieved from <https://www.vat19.com/item/16-oz-dual-auto-usb-heater-coffee-mug> on Aug. 27, 2015.

Timolino, “Signature Thermal Travel Mug Slide—Tab Lid”, retrieved from <http://timolino.com/products/signature-thermal-travel-mug-slide-tab-lid> on Aug. 27, 2015.

Eshine Industrial & Maoyuan International, “400ml Double Wall Stainless Steel Travel Mug with Sliding Drink Lid”, retrieved from <http://www.chinawaterbottle.com/product/400ml-double-wall-stainless-steel-travel-mug-with-sliding-drink-lid-77-520.html> on Aug. 27, 2015.

Photo USA Electronic Graphic Inc., “17fl oz Personalised Travel Mug (Plastic Insert and Metal Shell, Reverse Screw)”, retrieved from <http://www.meikeda.com/stainless-steel-mug/item/15-oz-personalised-travel-mug.html> on Aug. 27, 2015.

Promo Industrial Co., Limited, “16 Oz. Blue Bullet Travel Mug W/ Handle”, retrieved from [http://www.oempromo.com/Bottle-cup-and-mug/Mugs/index\\_73.htm](http://www.oempromo.com/Bottle-cup-and-mug/Mugs/index_73.htm) on Aug. 27, 2015.

Gold Bond Inc., “16CT—16 oz Cafe Tumbler”, retrieved from <http://www.goldbondinc.com/16ct> on Aug. 27, 2015.

“YETI Rambler 20 and 30 oz”, published on Apr. 19, 2014, retrieved from <https://web.archive.org/web/20140419041951/http://yeticoolers.com/rambler-tumblers/> on Sep. 2, 2015.

(56)

## References Cited

## OTHER PUBLICATIONS

Alexander, Emmet, “Removable Bicycle Cup Holder By Bookman”, posted Mar. 23, 2014 online, retrieved Jun. 6, 2016 from Internet, URL: <http://coolmensegear.com/removable-bicycle-cup-holder/>.

“Meyers California Rainbow Mug With Removable Wood Metal Handle”, retrieved from Internet on Jun. 6, 2016; URL: <https://www.pinterest.com/pin/148618856430252325/>.

“Tervis Tumbler Black 24 Oz. Handle”, retrieved from Internet Jun. 6, 2016; URL: <http://www.amazon.com/Tervis-Tumbler-Black-24oz-Handle/dp/B004VVHORG>.

Purdom, Sandra, “Mug or Tumbler Metal Handles Spare Parts”, retrieved from Internet Jun. 6, 2016; URL: [https://www.etsy.com/listing/148618856430252325/r-tumbler-metalhandles-spare-parts?ga\\_order=most\\_relevant&ga\\_search\\_type=all&ga\\_view\\_type=gallery&ga\\_search\\_query=metal%20handled%20mugs&ref=sr\\_gallery\\_8](https://www.etsy.com/listing/148618856430252325/r-tumbler-metalhandles-spare-parts?ga_order=most_relevant&ga_search_type=all&ga_view_type=gallery&ga_search_query=metal%20handled%20mugs&ref=sr_gallery_8).

“Red Removable Handle 16-OZ. Travel Tumbler”, retrieved from Internet Jun. 6, 2016, URL: <http://www.zulily.com/p/red-removable-handle-16-oz-travel-tumbler-120715-7353259.html>.

Dec. 14, 2016 (PCT) International Search Report and Written Opinion—App PCT/US2016/055491.

May 10, 2017—(US) Office Action—U.S. Appl. No. 15/183,427.

May 24, 2017—(WO) International Search Report and Written Opinion—App. No. PCT/US2017/022315—16 pages.

“Osulloc Green Cup,” retrieved from [http://www.edaymall.com/display/goods.do?media\\_code=E06&goods\\_code=10183708](http://www.edaymall.com/display/goods.do?media_code=E06&goods_code=10183708) on Sep. 6, 2016.

United States District Court Western District of Texas Austin Division, “Complaint,” *YETI Coolers, LLC v. Gourmet Home Products, LLC*, Case: 1:17-cv-00533, Document#1, filed Jun. 2, 2017, 25 pages.

United States District Court Western District of Texas Austin Division, “Complaint,” *YETI Coolers, LLC v. Godinger Silver Art, Ltd., Cathy’s Concepts, Inc., Viatek Consumer Products Group, Inc.*, Case: 1:17-cv-00467, Document #1, filed May 16, 2017, 22 pages.

United States District Court Western District of Texas Austin Division, “Complaint,” *YETI Coolers, LLC v. Bayou Ice Boxes, Inc.*, Case: 1:17-cv-00261, Document #1, filed Mar. 24, 2017, 41 pages.

United States District Court Western District of Texas Austin Division, “Complaint,” *YETI Coolers, LLC v. Vickery Products, LLC d/b/a Axis Cups, f/d/b/a Frio Cups*, Case: 1:17-cv-00260, Document #1, filed Mar. 24, 2017, 52 pages.

United States District Court Western District of Texas Austin Division, “Complaint,” *YETI Coolers, LLC v. Wadley Holdings, LLC d/b/a Meadowcraft, and Southern Sales & Marketing Group, Inc. d/b/a/ nICE*, Case 1:17-cv-00421, Document 1, filed May 5, 2017, 121 pages.

United States District Court Western District of Texas Austin Division, “Complaint,” *YETI Coolers, LLC v. JDS Industries, Inc., Lionel Laundry Jr., d/b/a Accolades Awards & Engraving, Creating and Fast LLC d/b/a Promotional Products San Antonio, Kelly Scoggins d/b/a King Engraving, Jamey Z. Apps d/b/a Roberts Trophies, and Eagle Media, Inc.*, Case 1:17-cv-00424, Document 1, filed May 5, 2017, 62 pages.

United States District Court Western District of Texas Austin Division, “Complaint,” *YETI Coolers, LLC v. Glacier Coolers, LLC, and Tecomate Holdings, LLC*, Case 1:17-cv-00586, Document 1, filed Jun. 15, 2017, 161 pages.

United States District Court Western District of Texas Austin Division, “Complaint,” *YETI Coolers, LLC v. Gametime Sidekicks, LLC*, Case 1:17-cv-00413, Document 1, filed May 5, 2017, 107 pages.

United States District Court Western District of Texas Austin Division, “Complaint,” *YETI Coolers, LLC v. Kodiak Coolers, LLC and Flexible Automation LLC*, Case 1:17-cv-00422, Document 1, filed May 5, 2017, 51 pages.

Oct. 18, 2016—(JP) Office Action—App 2016-004374—English trans.

United States District Court Western District of Texas Austin Division, “Complaint,” *YETI Coolers, LLC v. Benner China and Glassware Florida, Inc.*, Case: 1:16-cv-00142-RP, Document #1, filed Feb. 16, 2016, 21 pages.

United States District Court Western District of Texas Austin Division, “Complaint,” *YETI Coolers, LLC v. Blackbird Products Group, LLC, d/b/a Mammoth Coolers*, Case: 1:15-cv-01105, Document#1, filed Dec. 7, 2015, 266 pages.

United States District Court Western District of Texas Austin Division, “Defendant Blackbird Products Group, LLC’s Answer and Affirmative Defenses to Plaintiff YETI Coolers, LLC’s Complaint,” *YETI Coolers, LLC v. Blackbird Products Group, LLC, d/b/a Mammoth Coolers*, Case: 1:15-cv-01105-SS, Document #13, filed Dec. 28, 2015, 11 pages.

United States District Court Western District of Texas Austin Division, “Order,” *YETI Coolers, LLC v. Blackbird Products Group, LLC, d/b/a Mammoth Coolers*, Case: 1:15-cv-01105-RP, Document #26, filed Apr. 20, 2016, 1 page.

United States District Court Western District of Texas Austin Division, “Complaint,” *YETI Coolers, LLC v. The Boelter Companies, Inc., Boelter Brands, LLC and Boelter Beverage, LLC*, Case: 1:16-cv-00456, Document#1, filed Apr. 8, 2016, 20 pages.

United States District Court Western District of Texas Austin Division, “Defendants’ Answer to Complaint,” *YETI Coolers, LLC v. The Boelter Companies, Inc., Boelter Brands, LLC and Boelter Beverage, LLC*, Case: 1:16-cv-00456-RP, Document #21, filed Jun. 7, 2016, 9 pages.

United States District Court Western District of Texas Austin Division, “Consent Judgment,” *YETI Coolers, LLC v. The Boelter Companies, Inc., Boelter Brands, LLC and Boelter Beverage, LLC*, Case: 1:16-cv-00456-RP, Document #25, filed Sep. 13, 2016, 3 pages.

United States District Court Western District of Texas Austin Division, “Complaint,” *YETI Coolers, LLC v. Jennifer Leverage Bootz Evans d/b/a Bling and Burlap Buy In’s and Blanks*, Case: 1:15-cv-00995, Document #1, filed Nov. 2, 2015, 128 pages.

United States District Court Western District of Texas Austin Division, “Order,” *YETI Coolers, LLC v. Jennifer Leverage Bootz Evans d/b/a Bling and Burlap Buy In’s and Blanks*, Case: 1:15-cv-00995-RP, Document #18, filed Apr. 18, 2016, 1 page.

United States District Court Western District of Texas Austin Division, “Defendant Kaiser Group Inc.’s Answer, Affirmative Defenses, and Counterclaims to Plaintiff YETI Coolers, LLC’s Complaint,” *YETI Coolers, LLC v. Kaiser Group Inc., d/b/a Thermo Steel, d/b/a Vino2Go, d/b/a Brew2GO*, Case: 1:15-cv-00725-RP, Document #14, filed Oct. 13, 2015, 65 pages.

United States District Court Western District of Texas Austin Division, “Complaint,” *YETI Coolers, LLC v. Great American Products, Ltd.*, Case: 1:15-cv-00686, Document #1, filed Aug. 6, 2015, 20 pages.

United States District Court Western District of Texas Austin Division, “Order,” *YETI Coolers, LLC v. Great American Products, Ltd.*, Case: 1:15-cv-00686-RP, Document #25, filed Mar. 14, 2016, 1 page.

United States District Court Western District of Texas Austin Division, “Complaint,” *YETI Coolers, LLC v. Home Depot U.S.A., Inc., Takeya USA Corporation*, Case: 1:17-cv-00342, Document #1, filed Apr. 12, 2017, 24 pages.

United States District Court Western District of Texas Austin Division, “Complaint,” *YETI Coolers, LLC v. Ideastage Promotions, LLC, d/b/a Swag Brokers*, Case: 1:15-cv-00774, Document #1, filed Sep. 2, 2015, 22 pages.

“Block C Over Cornell Stainless Tumbler with Handle 20 oz”; The Cornell Store; retrieved Sep. 24, 2019; disclosure date unknown but prior to the filing date of the present application; URL: <https://www.cornellstore.com/Block-C-Over-Cornell-Stainless-Tumbler-With-Handle-20-Oz.>>.

“The Grapplr YETI Cup Handle”; The Grapplr; retrieved Sep. 24, 2019; disclosure date unknown but prior to the filing date of the present application; URL: <http://thegrapplr.com/>>.

“Mossy Oak Stainless Steel Tumbler Handle”; Pinshape; retrieved Sep. 24, 2019; disclosure date unknown but prior to the filing date

(56)

## References Cited

## OTHER PUBLICATIONS

of the present application; URL: <<https://pinshape.com/items/37037-3d-printed-mossy-oak-stainless-steel-tumbler-handle>>.

“ONEB Car Cup Travel Mug 450ml with handle Stainless Steel Coffee Insulated Milk”; Coffee-Mug; retrieved Sep. 24, 2019; disclosure date unknown but prior to the filing date of the present application; URL: <[https://mugs.coffee-mug.org/oneb-car-cup-travel-mug-450ml-with-handle.html?product\\_id=YIFpDgnD\\_VD3Ew](https://mugs.coffee-mug.org/oneb-car-cup-travel-mug-450ml-with-handle.html?product_id=YIFpDgnD_VD3Ew)>.

“White Polymer Travel Mug”; Coola Products; retrieved Sep. 24, 2019; disclosure date unknown but prior to the filing date of the present application; URL: <<https://www.coola-products.com/white-polymer-travel-mug>>.

“Ozark Trail 12 OZ Stainless Steel Coffee Mugs 4 Pack”; Amazon; retrieved Sep. 24, 2019; disclosure date unknown but prior to the filing date of the present application; URL: <[https://www.amazon.com/Ozark-Trail-Stainless-Steel-Coffee/dp/B07MQ1BZGP/ref=asc\\_df\\_B07MQ1BZGP/?tag=bingshoppinga-20&linkCode=df0&hvadid={creative}&hvpos={adposition}&hvnetw=o&hvrand={random}&hvpone=&hvptwo=&hvqmt=e&hvdev=c&hvdvcmld={devicemodel}&hvllocint=&hvllocphy=&hvtargid=pla-4583451664950027&psc=1](https://www.amazon.com/Ozark-Trail-Stainless-Steel-Coffee/dp/B07MQ1BZGP/ref=asc_df_B07MQ1BZGP/?tag=bingshoppinga-20&linkCode=df0&hvadid={creative}&hvpos={adposition}&hvnetw=o&hvrand={random}&hvpone=&hvptwo=&hvqmt=e&hvdev=c&hvdvcmld={devicemodel}&hvllocint=&hvllocphy=&hvtargid=pla-4583451664950027&psc=1)>.

“Travel Coffee Cup, Polar Cap”; RTIC; retrieved Sep. 24, 2019; disclosure date unknown but prior to the filing date of the present application; URL: <<https://www.rticcoolers.com/shop/drinkware/tumblers/Travel-Coffee-Cup-Polar-Cap>>.

“Camo Keep Hammering Leather Patch Hat”; Cameron Hanes; retrieved Jan. 17, 2020; disclosure date unknown but prior to the filing date of the present application; URL: <http://www.cameronhanes.com/shop/keep-hammering-gear/camo-keep-hammering-leather-patch-hat/>.

“S’well Moss Camo 17-oz. Reusable Water Bottle”; Neiman Marcus; retrieved Jan. 17, 2020; disclosure date unknown but prior to the filing date of the present application; URL: <https://www.neimanmarcus.com/p/swell-moss-camo-17-oz-reusable-water-bottle-prod198110105>.

“Stainless Steel Water Bottle—25oz (Camouflage) by Rock Ridge”; Amazon; retrieved Jan. 17, 2020; published Jan. 16, 2013; URL: [https://www.amazon.com/Rock-Ridge-Stainless-Steel-Bottle/dp/B00B1VHT1K/ref=br\\_lf\\_m\\_e2spsh7bbt6yy27\\_img?\\_encoding=UTF8&s=kitchen](https://www.amazon.com/Rock-Ridge-Stainless-Steel-Bottle/dp/B00B1VHT1K/ref=br_lf_m_e2spsh7bbt6yy27_img?_encoding=UTF8&s=kitchen).

“Koverz for Jars—#1 Neoprene Mason Jar Collie 16 oz Insulator Sleeve—Choose from 14 Styles!—Vintage Camo” Amazon; retrieved Jan. 17, 2020; published Jan. 14, 2014; URL: [https://www.amazon.com/Koverz-Neoprene-Bottle-Insulator-Vintage/dp/B01FE5WA9Y/ref=br\\_lf\\_m\\_e2spsh7bbt6yy27\\_ttl?\\_encoding=UTF8&s=sporting-goods&th=1](https://www.amazon.com/Koverz-Neoprene-Bottle-Insulator-Vintage/dp/B01FE5WA9Y/ref=br_lf_m_e2spsh7bbt6yy27_ttl?_encoding=UTF8&s=sporting-goods&th=1).

“Spooniques Camouflage Travel Mug, Green”; Amazon; retrieved Jan. 17, 2020; published Mar. 6, 2012; URL: <https://www.amazon.com/Spooniques-Camouflage-Travel-Mug-Green/dp/B007HPGU96>.

“Wholesale 16oz Camo Travel Tumbler”; Wholesale Mart; retrieved Jan. 17, 2020; disclosure date unknown but prior to the filing date of the present application; URL: <https://www.wholesalmart.com/wholesale/16oz-camo-travel-tumbler.html>.

“Lunch Bag Cooler Insulated Ice Chest Soda Beer Camouflage Tote Bag Water Resist”; Walmart; retrieved Jan. 17, 2020; disclosure date unknown but prior to the filing date of the present application; URL: <https://www.walmart.com/ip/Lunch-Bag-Cooler-Insulated-Ice-Chest-Soda-Beer-Camouflage-Tote-Bag-Water-Resist/42449426>.

“Mens Military Tactical Camouflage Camo T Shirt Army Combat New Cotton Hunting”; ebay; retrieved Jan. 17, 2020; disclosure date unknown but prior to the filing date of the present application; URL: <https://www.ebay.com/itm/MENS-MILITARY-TACTICAL-CAMOUFLAGE-CAMO-T-SHIRT-ARMY-COMBAT-NEW-COTTON-HUNTING-/302197669316>.

“Element EX353 Camo Water Bottle”; 365 AirSoft Shop; retrieved Jan. 17, 2020; disclosure date unknown but prior to the filing date of the present application; URL: [www.365airsoftshop.com/](http://www.365airsoftshop.com/).

Tumbler | posted at Amazon.com, posted on Sep. 12, 2018, © 1996-2019 Amazon.com, [online], [site visited Dec. 23, 2019]. Available from Internet, <URL: [https://www.amazon.com/YETI-Rambler-20-Stainless-Steel/dp/B07H9CBM6K/ref=sr\\_1\\_1?keywords=yeti+camo+tumbler&qid=1577814477&sr=8-1](https://www.amazon.com/YETI-Rambler-20-Stainless-Steel/dp/B07H9CBM6K/ref=sr_1_1?keywords=yeti+camo+tumbler&qid=1577814477&sr=8-1)> (Year: 2018).

Tumbler | posted at thelacecactus.com, no posted date, © 1996-2019 [site visited Dec. 14, 2019]. Available from Internet, <URL: <https://thelacecactus.com/products/camo-tumbler>> (Year: 2019).

United States District Court Western District of Texas, Austin Division, “Complaint,” *YETI Coolers, LLC v. V-Rose Enterprise, LLC d/b/a Calavera Coolers*, Case 1:20-cv-00086, Document 1, filed Jan. 23, 2020, 40 pages.

United States District Court Western District of Texas, Austin Division, “Complaint,” *YETI Coolers, LLC v. Green Foundations Ltd., d/b/a Greens Steel*, Case 1:20-cv-00075, Document 1, filed Jan. 22, 2020, 53 pages.

AmBrSoft Materials Density Table (Year: 2014).

Zahner Metal Hardness Chart (Year: 2019).

“TM263 16 oz Printed Stainless Steel Travel Mugs with Handle”; Discount Mugs; retrieved Sep. 24, 2019; disclosure date unknown but prior to the filing date of the present application; URL: <<https://www.discountmugs.com/product/tm263-16-oz-printed-stainless-steel-travel-mugs-with-handle/?quantity=>>>.

Promotional Items, Inc., “Stainless Steel 14oz. Deluxe Coffee Insulated Tumbler Lid”, retrieved from <[http://www.promotional-items-inc.com/catalog/stainless\\_steel\\_18oz\\_commuter\\_coffee\\_mug\\_lid.html](http://www.promotional-items-inc.com/catalog/stainless_steel_18oz_commuter_coffee_mug_lid.html)> on Aug. 27, 2015.

United States District Court Western District of Texas Austin Division, “Plaintiffs’ Complaint for Damages and Injunctive Relief,” *YETI Coolers, LLC v. Seth Stevens d/b/a SDS Marketing d/b/a Eskimo Coolers, Panther Group LLC d/b/a Eskimo Coolers, Panther Group Sales, LLC d/b/a Eskimo Coolers, and Silver Fox Sales, LLC*, Case 1:17-cv-00423, Document 1, filed May 5, 2017, 283 pages.

United States International Trade Commission of Washington, DC, “Complaint Under Section 337 of the Tariff Act of 1930, as Amended,” *YETI Coolers, LLC vs. Alibaba (China) Technology Co., Ltd., Alibaba Group Holding Limited, Alibaba.com Hong Kong Limited, Alibaba.com Singapore E-Commerce Private Limited, Bonanza.com, Inc., ContextLogic, Inc. d/b/a Wish, Dunhuang Group, Hangzhou Alibaba Advertising Co. Ltd., Huizhou Dashu Trading Co., Ltd., Huagong Trading Co., and Tan Er Pa Technology Co., Ltd.*, filed Sep. 28, 2017, 191 pages.

“Atlin Tumbler [30 oz. Double Wall Stainless Steel Vacuum Insulation]—Black Travel Mug [Crystal Clear Lid] Water Coffee Cup [Straw + Handle Included] For Home, Office, School, Ice Drink, Hot Beverage”; Amazon; retrieved Oct. 17, 2019; published Jul. 25, 2017; URL: <<https://www.amazon.com/dp/B074XMH3W2/ref=>>>.

English translation of Office Action dated Oct. 18, 2016 for JP Application No. 2016-004374, 4 pages.

Apr. 4, 2017—(PCT) Written Opinion and International Search Report App PCT/US2016/059514.

Mar. 16, 2020—(CN) Office Action—App. No. 201780029765.X.

Jun. 7, 2021—(CN) Office Action—App. No. 2021301668853.

Feb. 6, 2020—(WO) International Search Report & Written Opinion—PCT/US19/057420.

Sep. 6, 2021—(WO) Partial International Search—PCT/US2021/030256.

Nov. 2, 2021—(WO) International Search Report & Written Opinion—PCT/US21/030256.

Dec. 16, 2021—(CN) Invalidation Notice against ZL 201630159653.4.

Jan. 30, 2022—(CN) First Office Action—App. No. 201980070432.0.

Apr. 8, 2022—(EP) Article 94(3) EPC Communication—App. No. 19802004.2.

\* cited by examiner

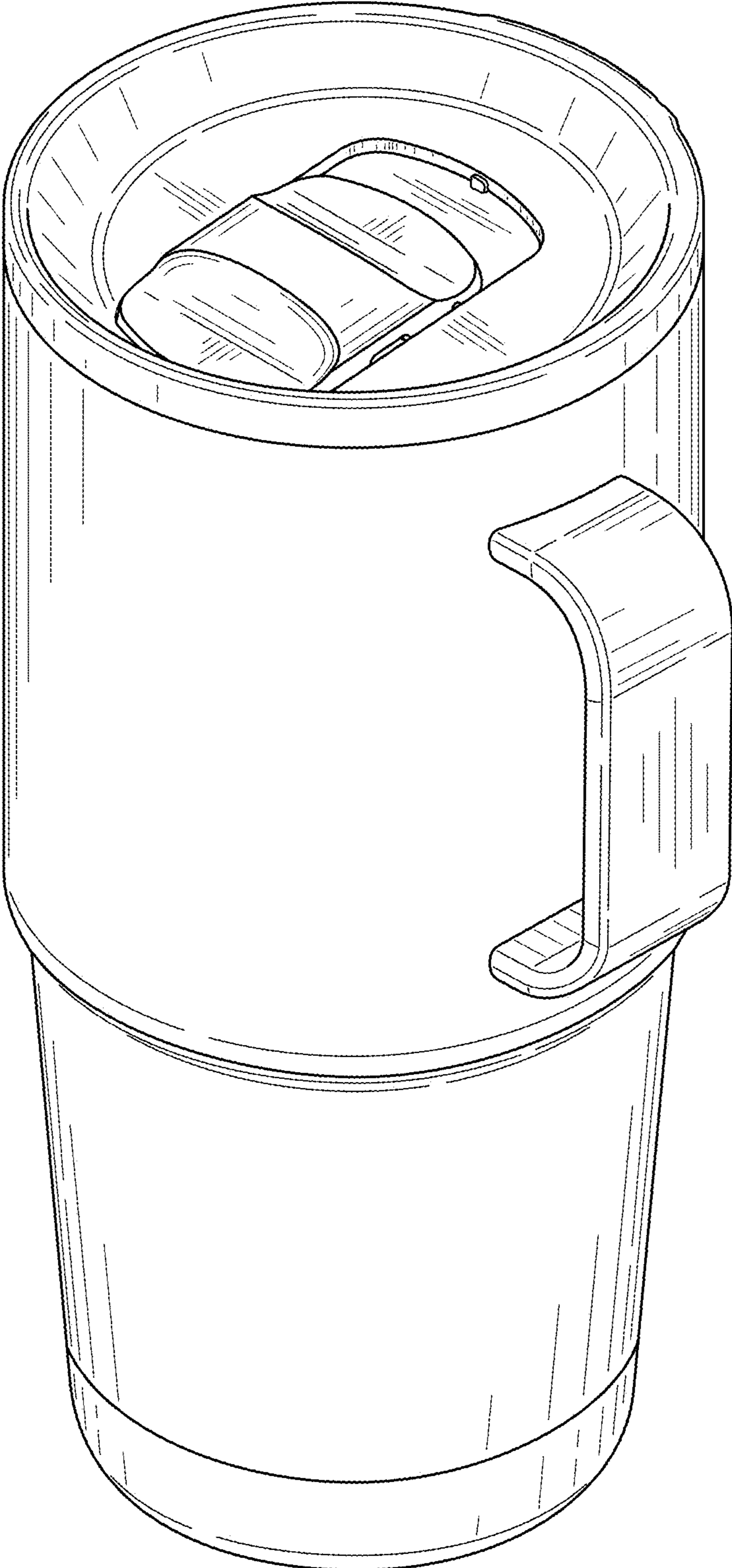


FIG. 1

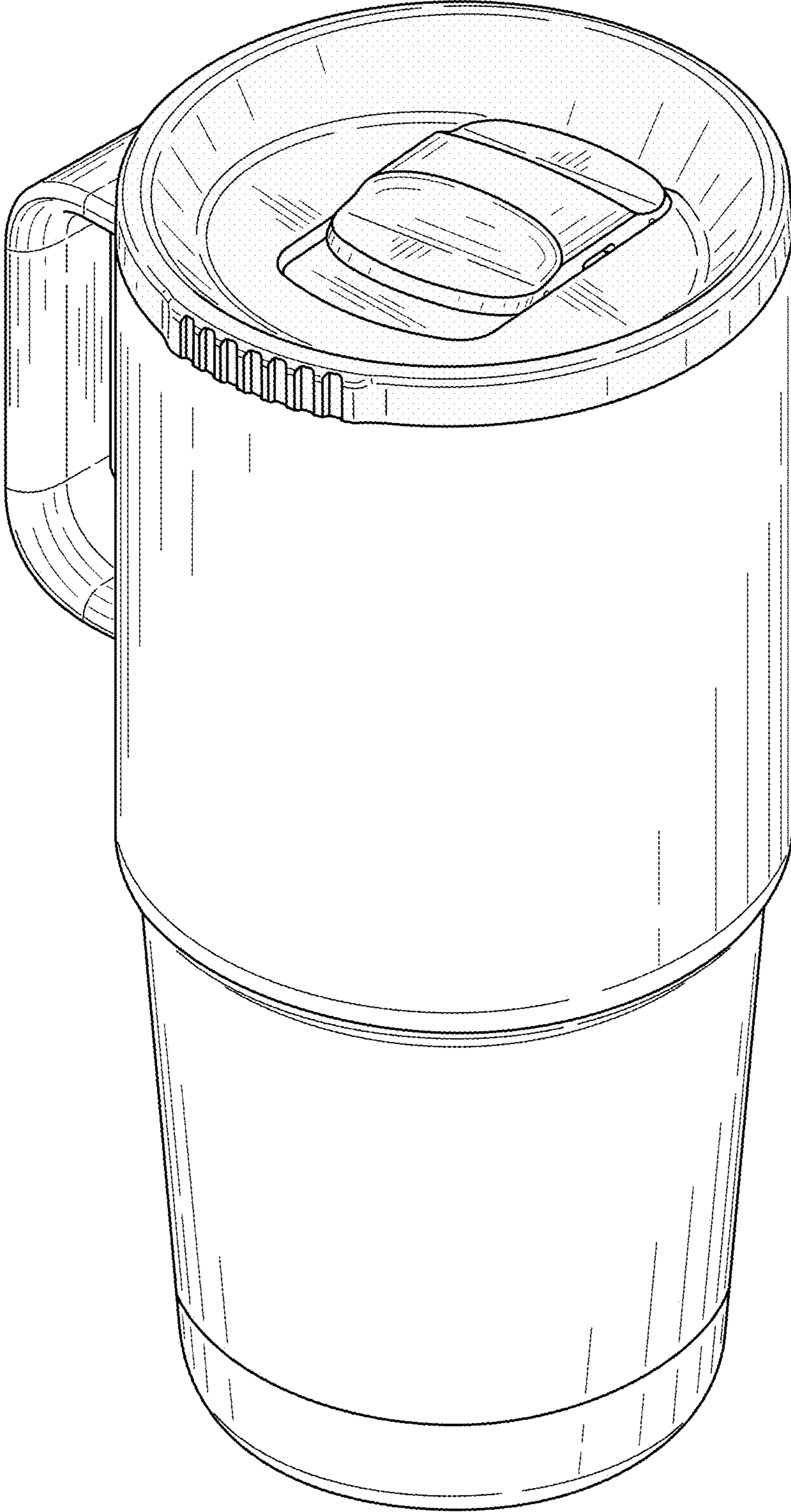


FIG. 2

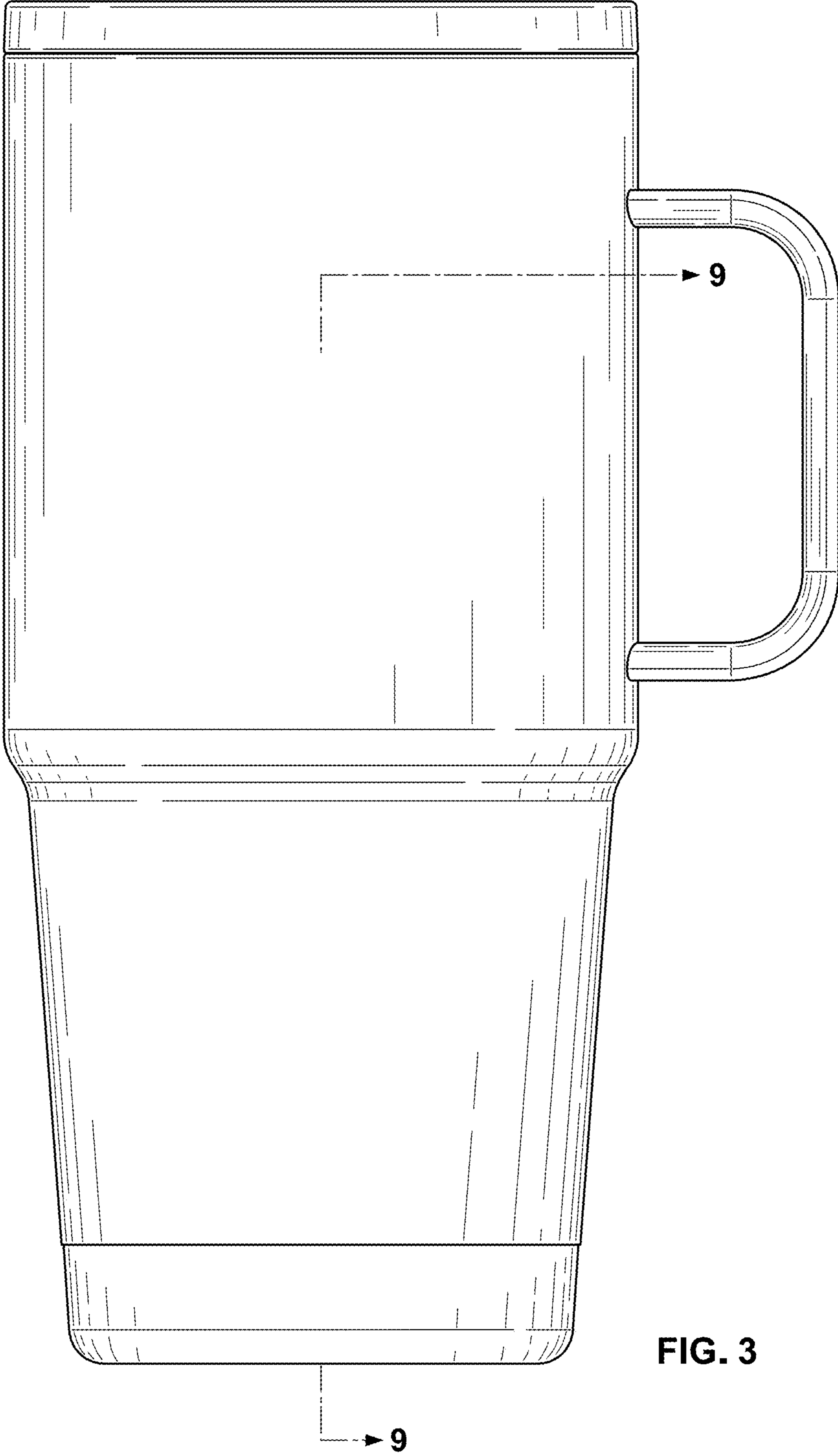


FIG. 3

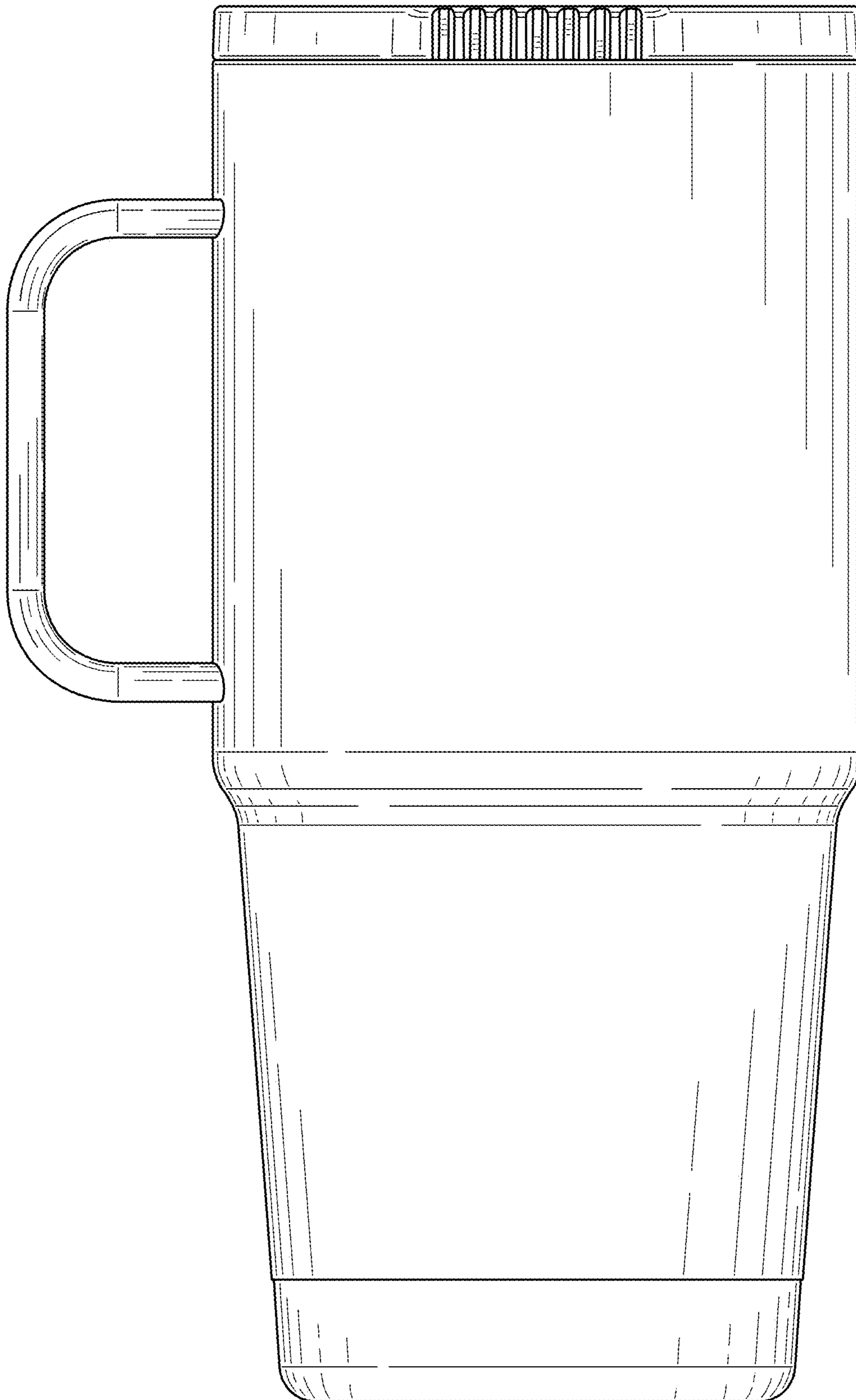


FIG. 4



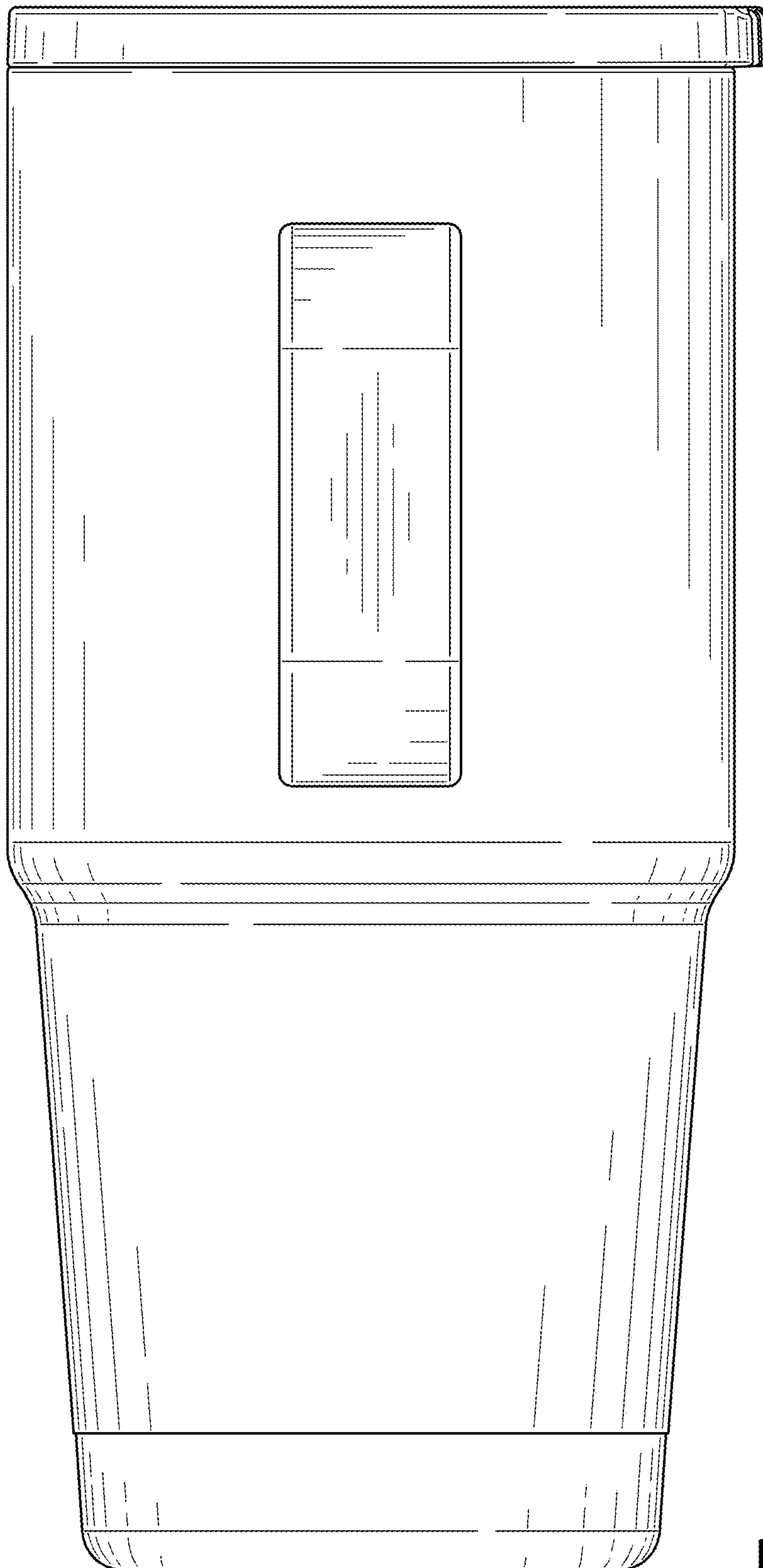


FIG. 5



FIG. 6

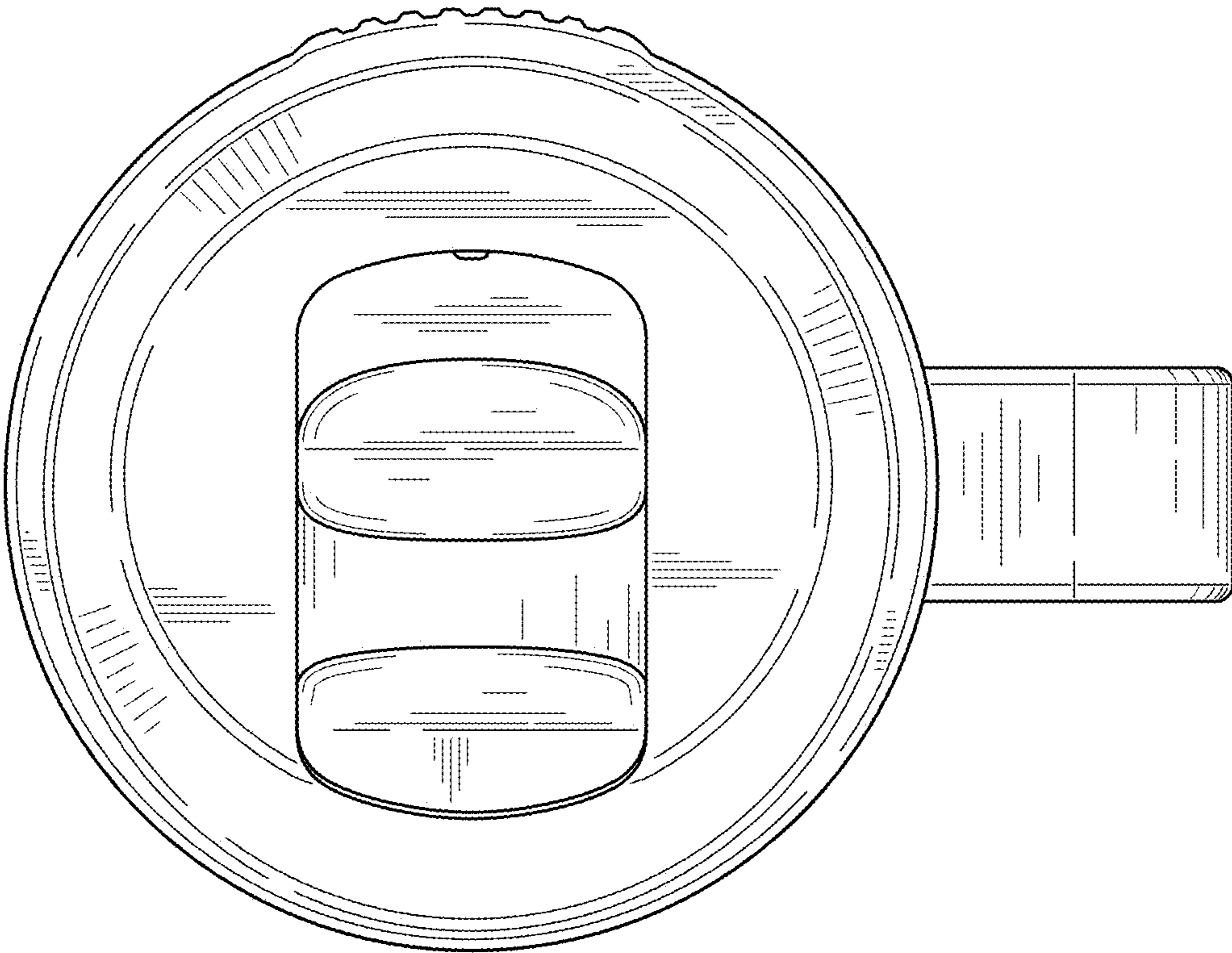


FIG. 7

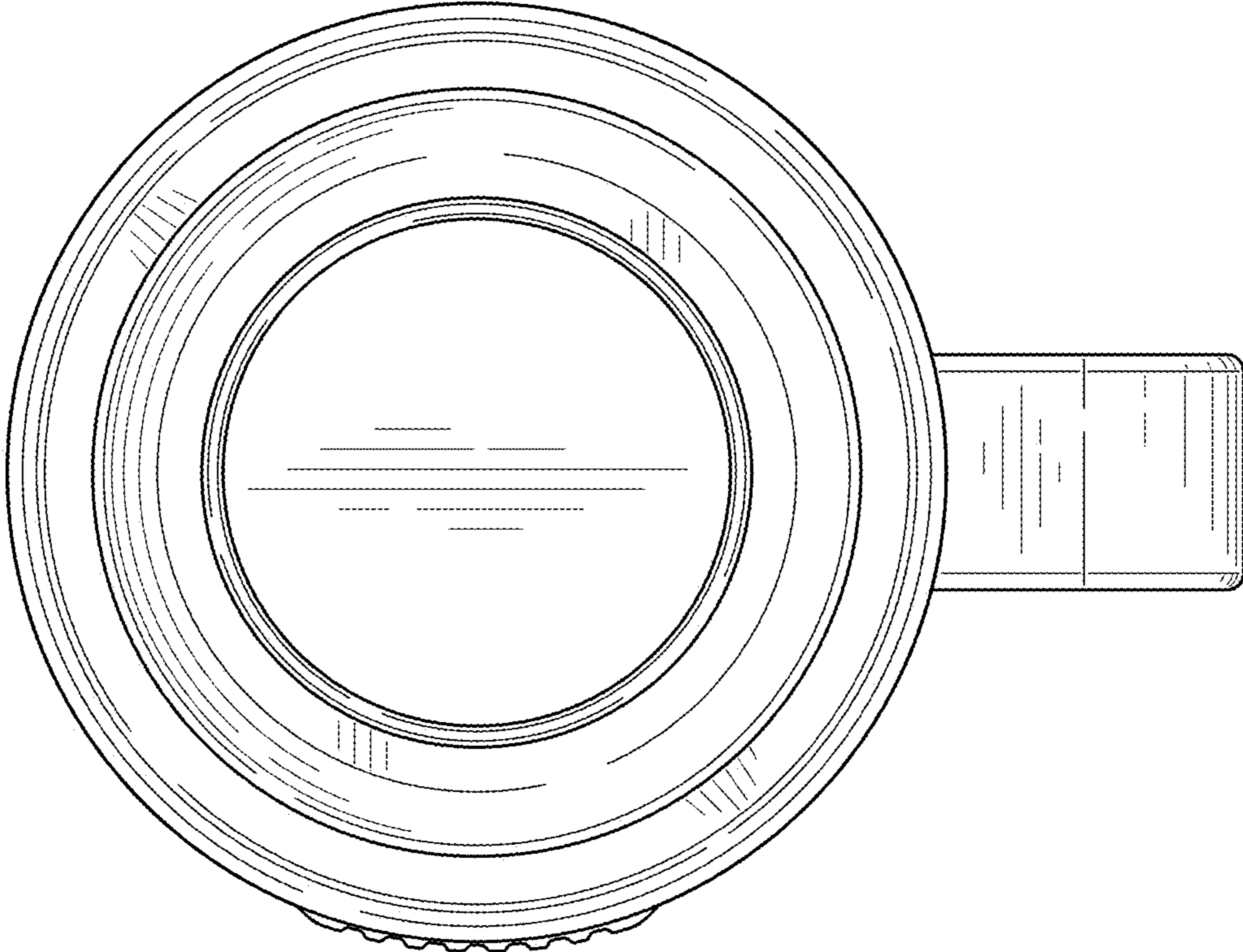


FIG. 8

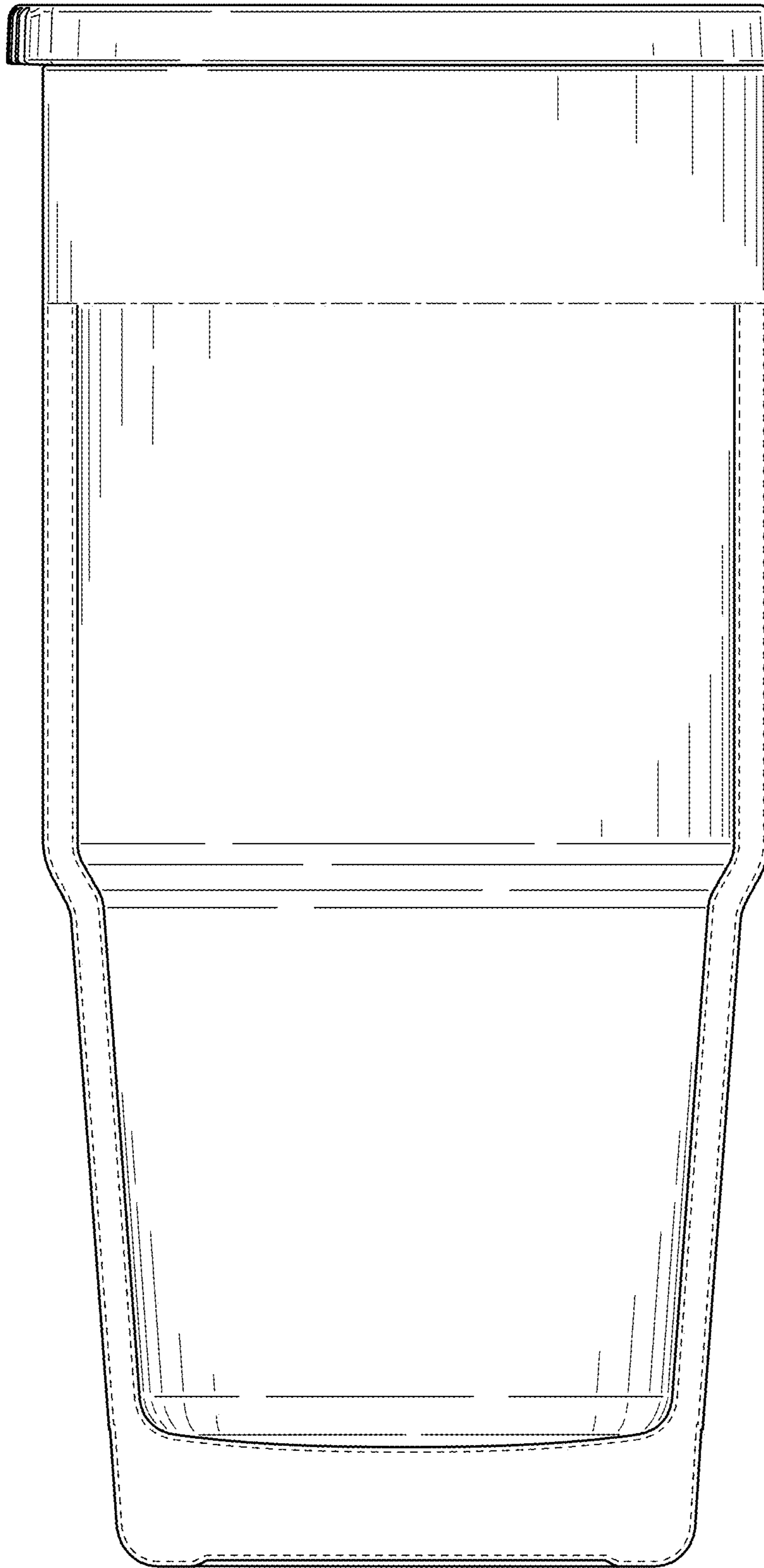


FIG. 9

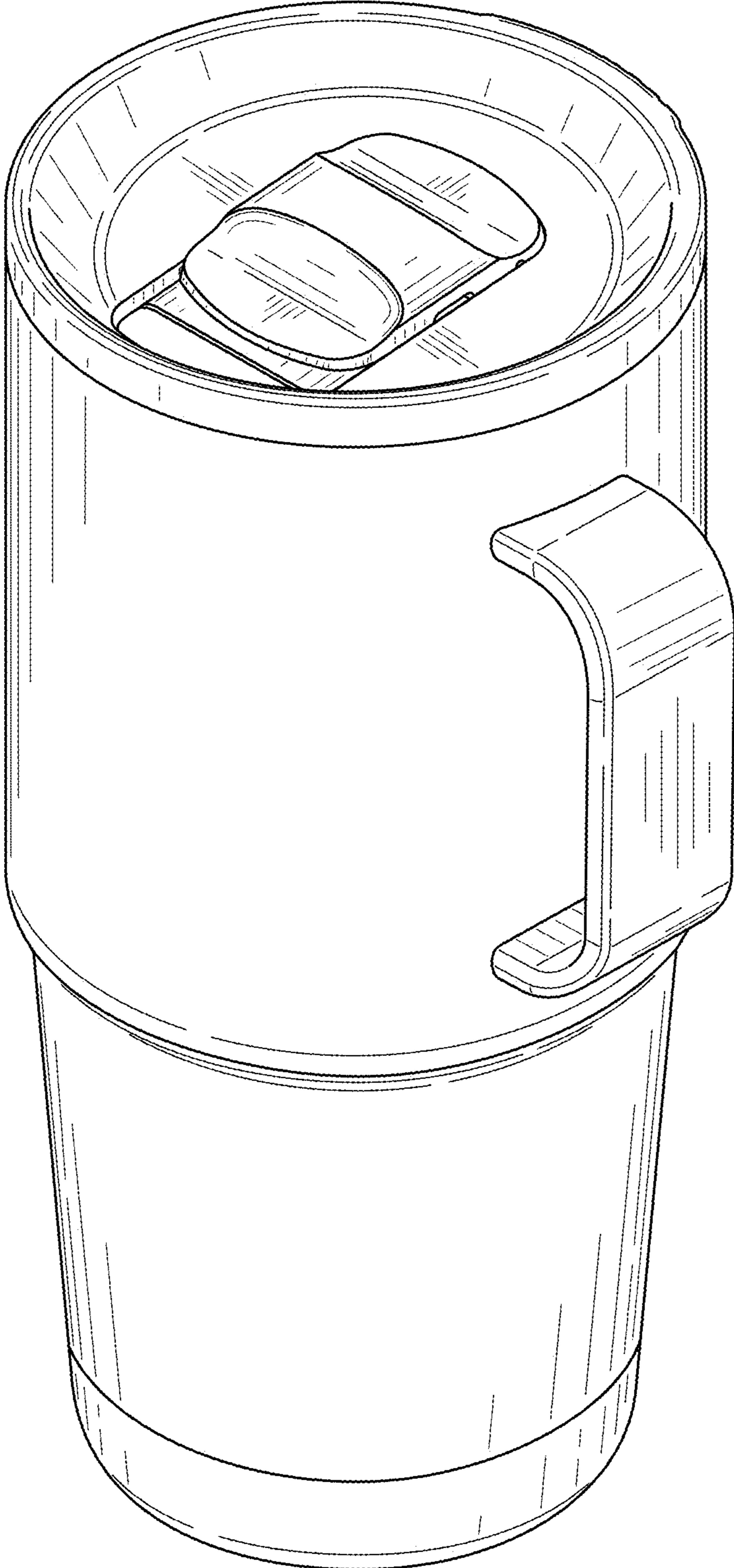


FIG. 10