

US00D964099S

(12) **United States Design Patent** (10) **Patent No.:** **US D964,099 S**  
**Hu** (45) **Date of Patent:** **\*\* Sep. 20, 2022**

(54) **BOTTLE LID**

(71) Applicant: **Zhihong Hu**, Xinyu (CN)

(72) Inventor: **Zhihong Hu**, Xinyu (CN)

(\*\*) Term: **15 Years**

(21) Appl. No.: **29/765,931**

(22) Filed: **Jan. 12, 2021**

(51) **LOC (13) Cl.** ..... **07-99**

(52) **U.S. Cl.**  
USPC ..... **D7/396.2**

(58) **Field of Classification Search**  
USPC ..... D7/387, 396.1, 396.2, 397, 398, 510,  
D7/511, 608, 300.1, 591, 529, 533-536,  
D7/392.1; D9/503, 504, 434, 443, 435,  
D9/447; D3/202  
CPC ..... A47G 19/22; A45F 3/16; B65D 41/04;  
B65D 43/02  
See application file for complete search history.

(56) **References Cited**

**U.S. PATENT DOCUMENTS**

D812,419 S *	3/2018	Yao	.....	D7/392.1
D818,317 S *	5/2018	Fu	.....	D7/532
D818,768 S *	5/2018	Joseph	.....	D7/396.2
D818,774 S *	5/2018	Stover	.....	D7/532
D820,635 S *	6/2018	Hammer	.....	D7/392.1
D853,181 S *	7/2019	Stanton	.....	D7/392.1
D865,441 S *	11/2019	Lowette	.....	D7/392
D867,812 S *	11/2019	Lane	.....	D7/392.1
D869,230 S *	12/2019	Hao	.....	D9/449

D879,550 S *	3/2020	Lane	.....	D7/392
D894,669 S *	9/2020	Lane	.....	D7/392.1
D908,423 S *	1/2021	Xia	.....	D9/450
D920,737 S *	6/2021	Armistead	.....	D7/392
D923,397 S *	6/2021	Lin	.....	D9/449
D928,558 S *	8/2021	Han	.....	D7/392.1
D939,271 S *	12/2021	Chen	.....	D7/392.1
2017/0253394 A1 *	9/2017	Fogarty	.....	B65D 47/065
2018/0208366 A1 *	7/2018	Fang	.....	B65D 25/465
2019/0161251 A1 *	5/2019	Fang	.....	A45F 3/18

\* cited by examiner

*Primary Examiner* — Andrew Kerr

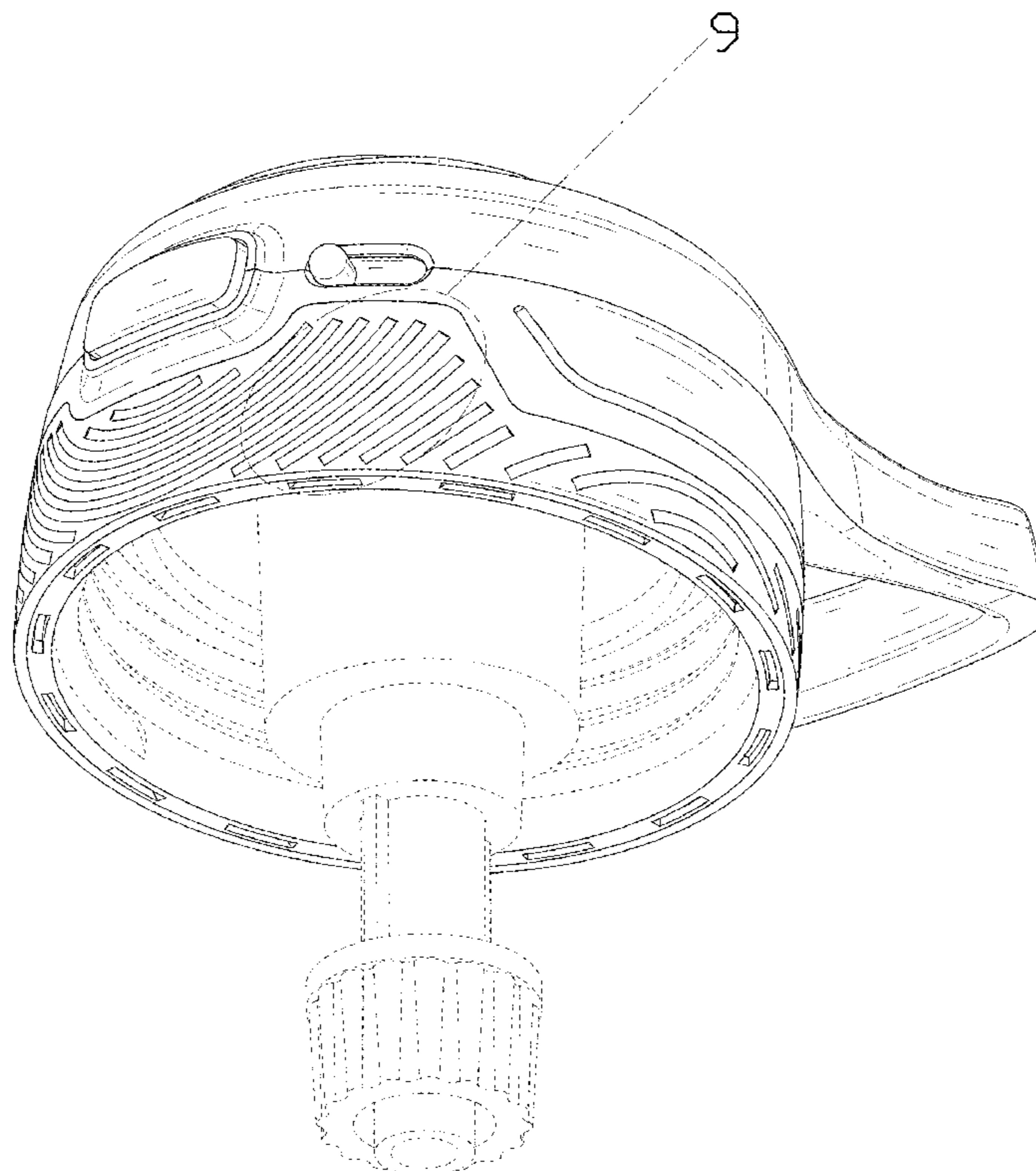
(57) **CLAIM**

The ornamental design for a bottle lid, as shown and described.

**DESCRIPTION**

FIG. 1 is a perspective view of a bottle lid showing my new design;  
FIG. 2 is another perspective view thereof;  
FIG. 3 is a front elevational view thereof;  
FIG. 4 is a rear elevational view thereof;  
FIG. 5 is a left side elevational view thereof;  
FIG. 6 is a right side elevational view thereof;  
FIG. 7 is a top plan view thereof;  
FIG. 8 is a bottom plan view thereof; and,  
FIG. 9 is an enlarged view of portion 9 shown in FIG. 1.  
The broken lines in the drawings depict portions of the bottle lid that form no part of the claimed design.

**1 Claim, 9 Drawing Sheets**



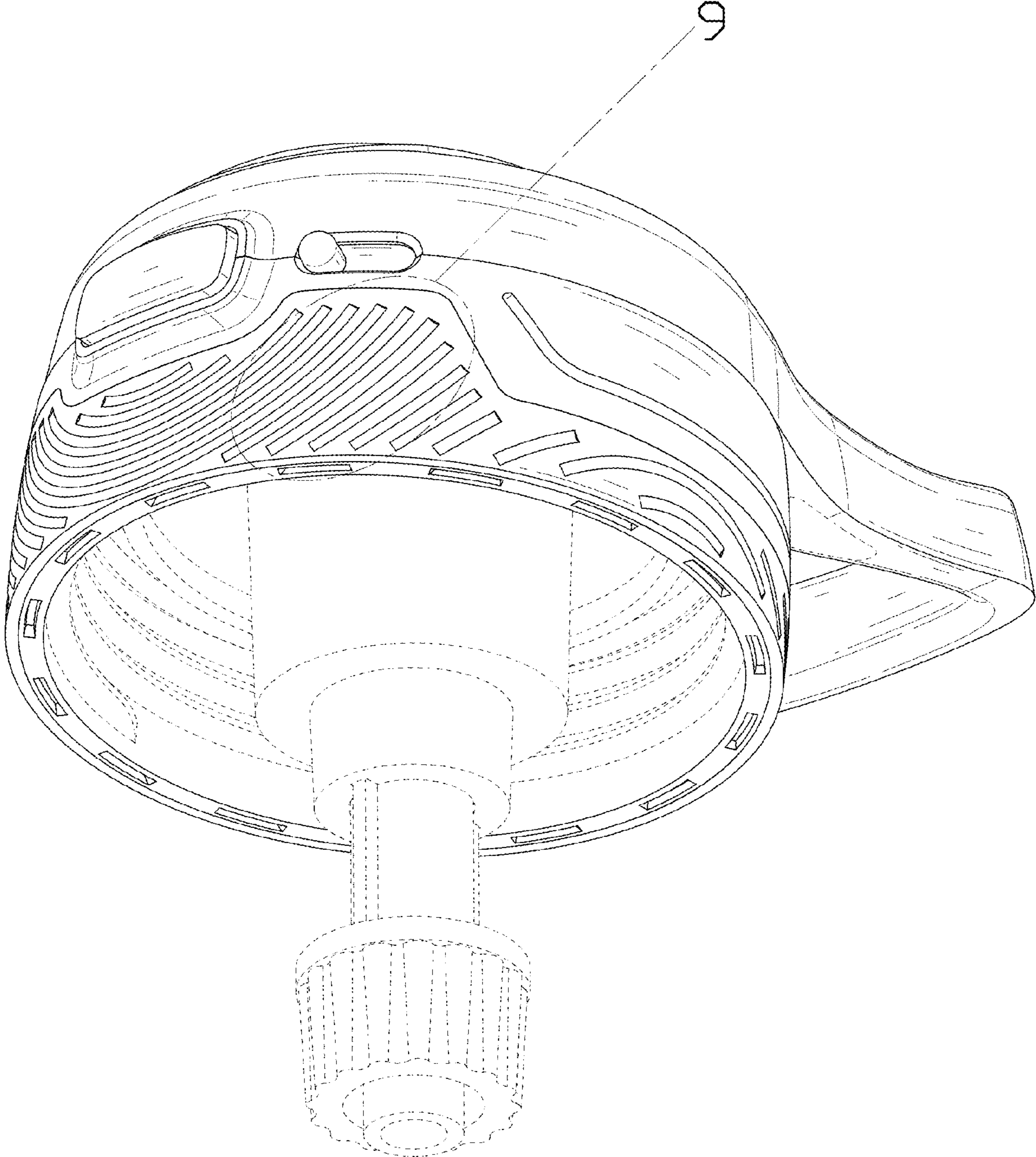


FIG. 1

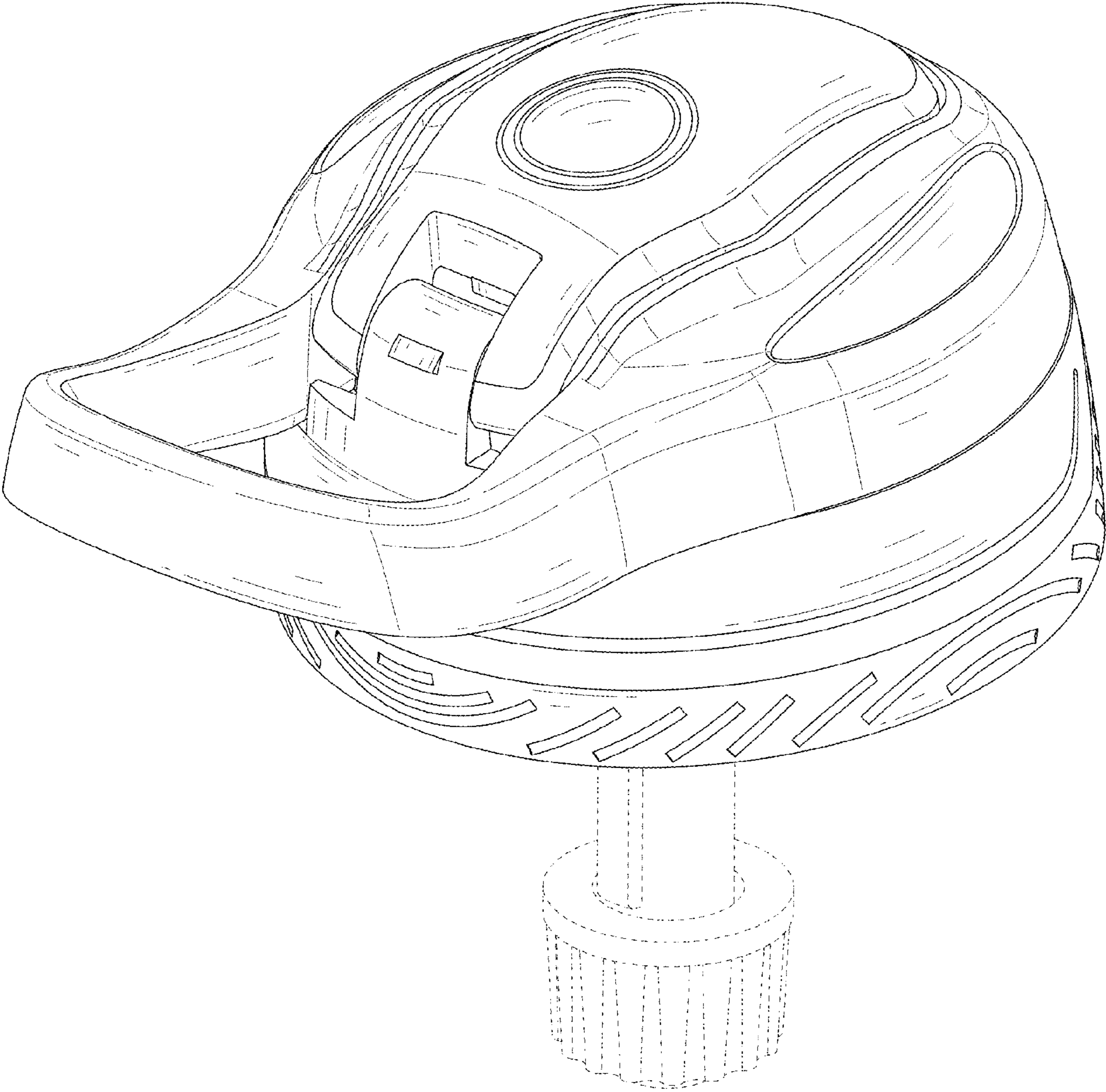


FIG. 2

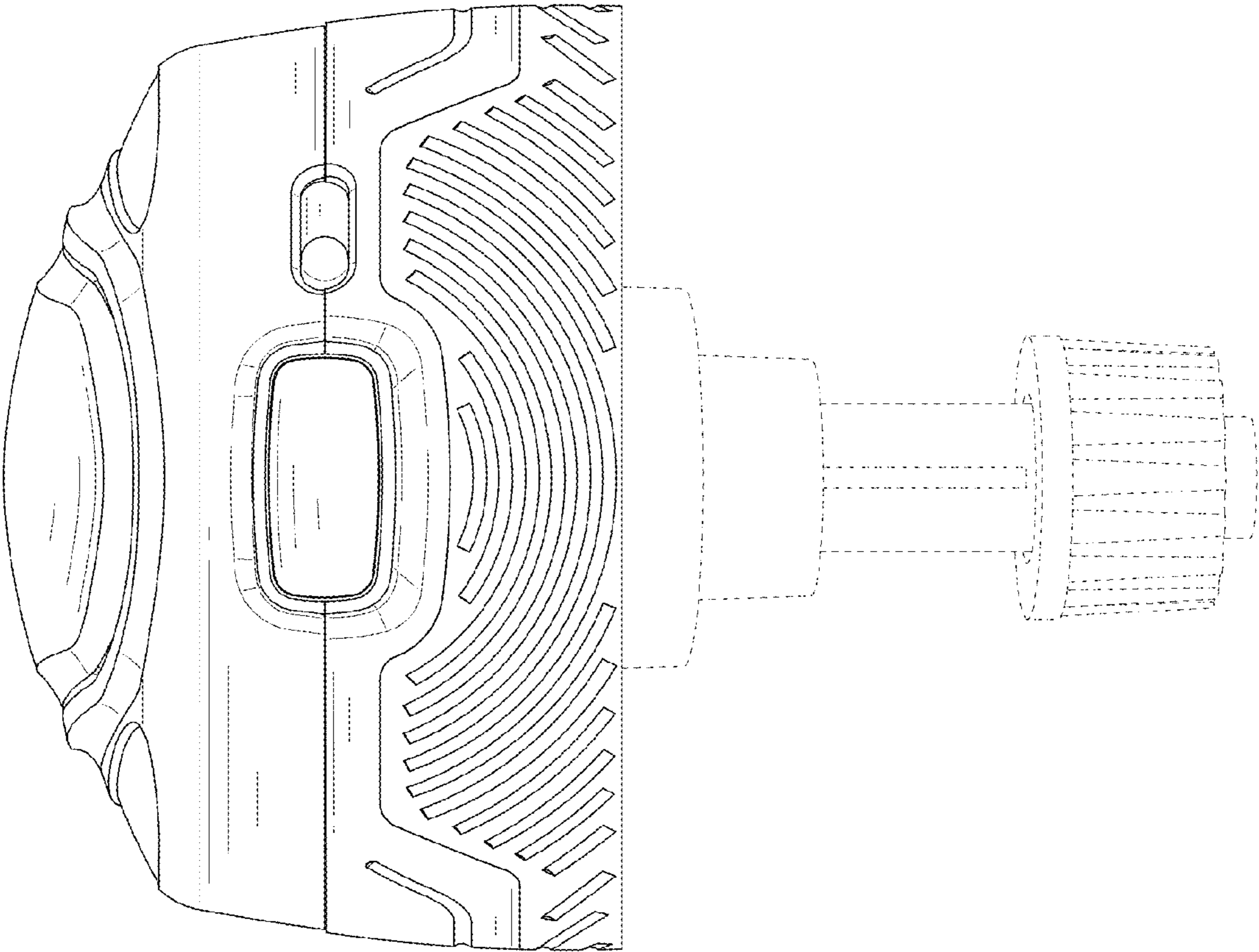


FIG. 3

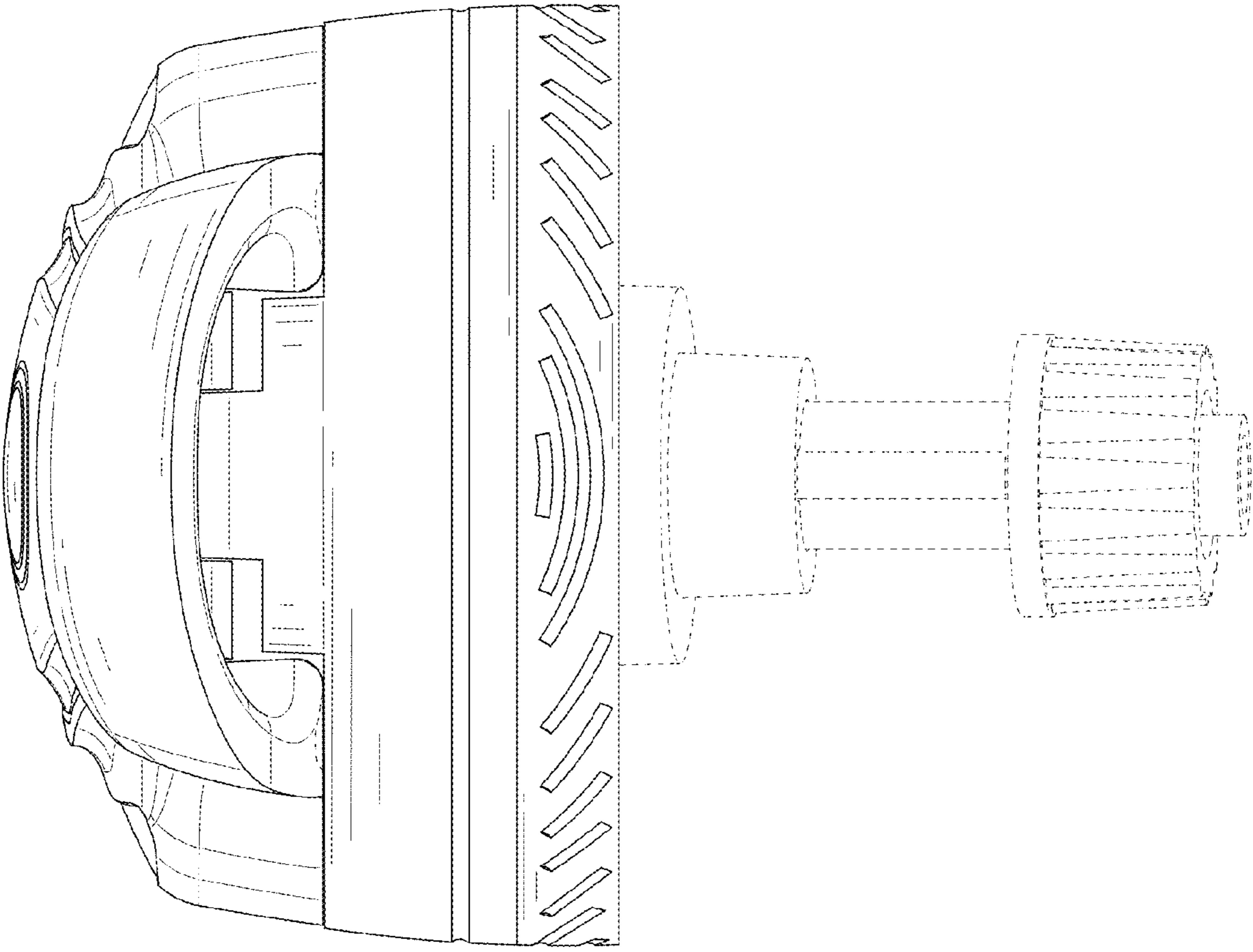


FIG. 4

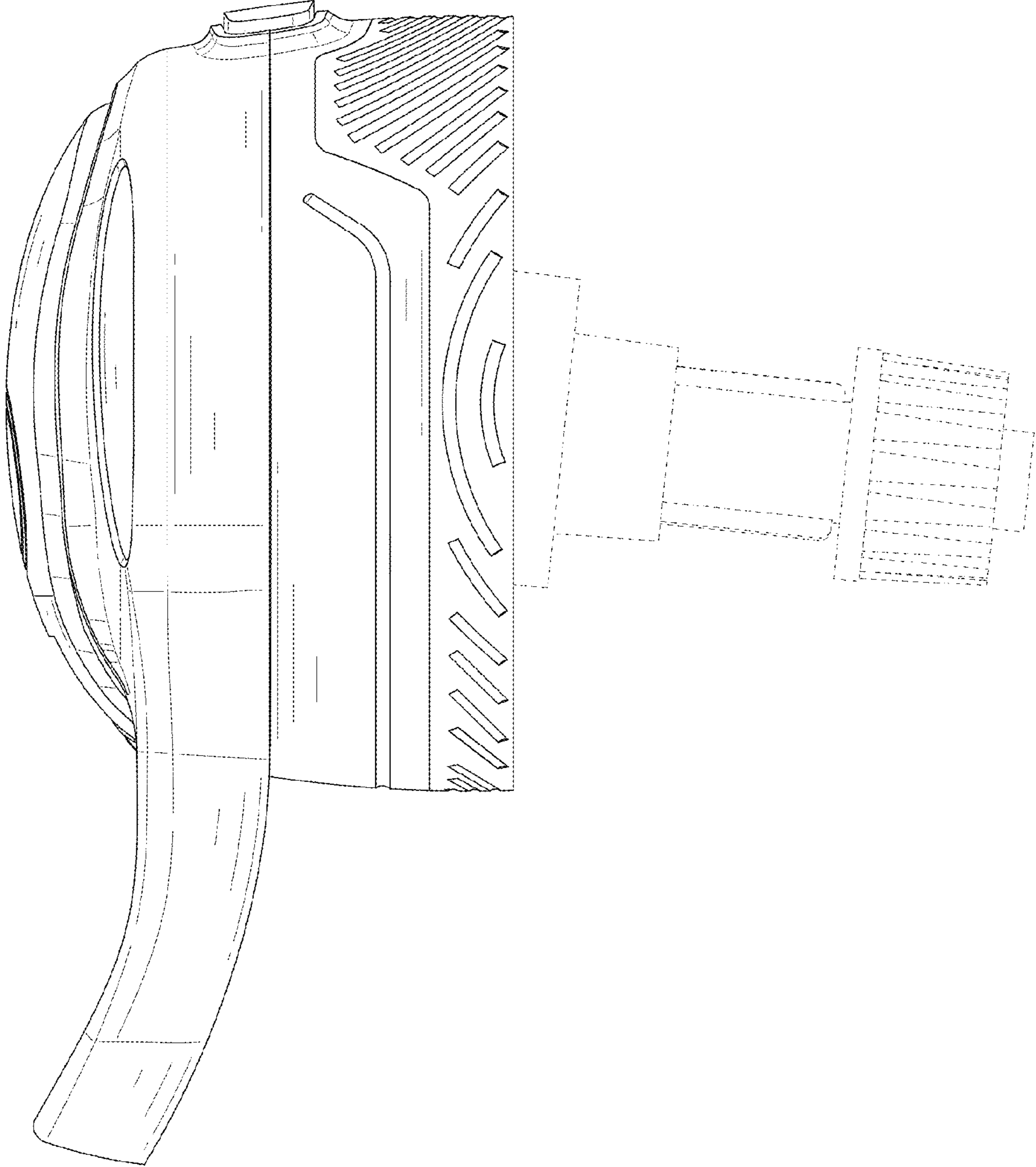


FIG. 5

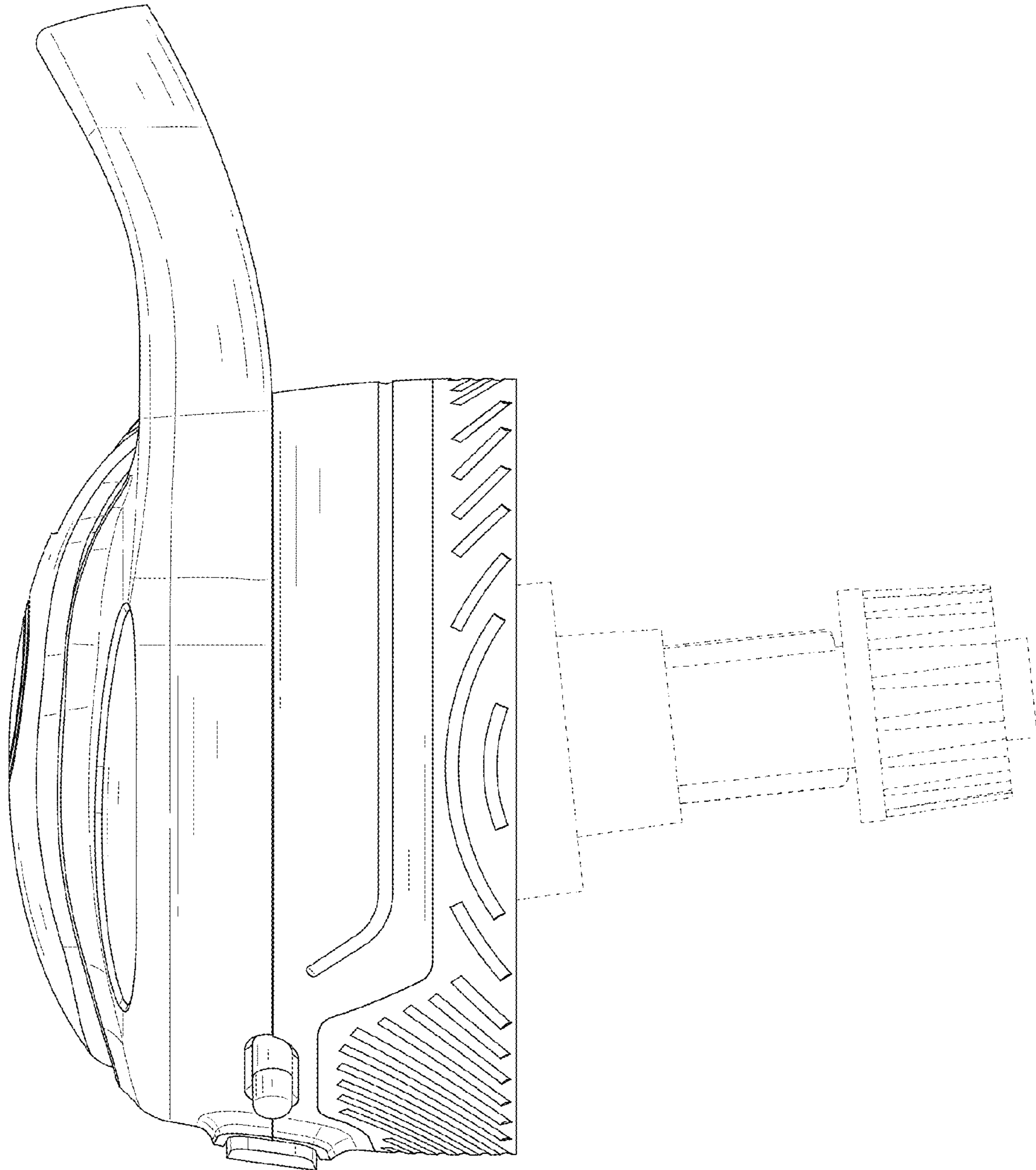


FIG. 6

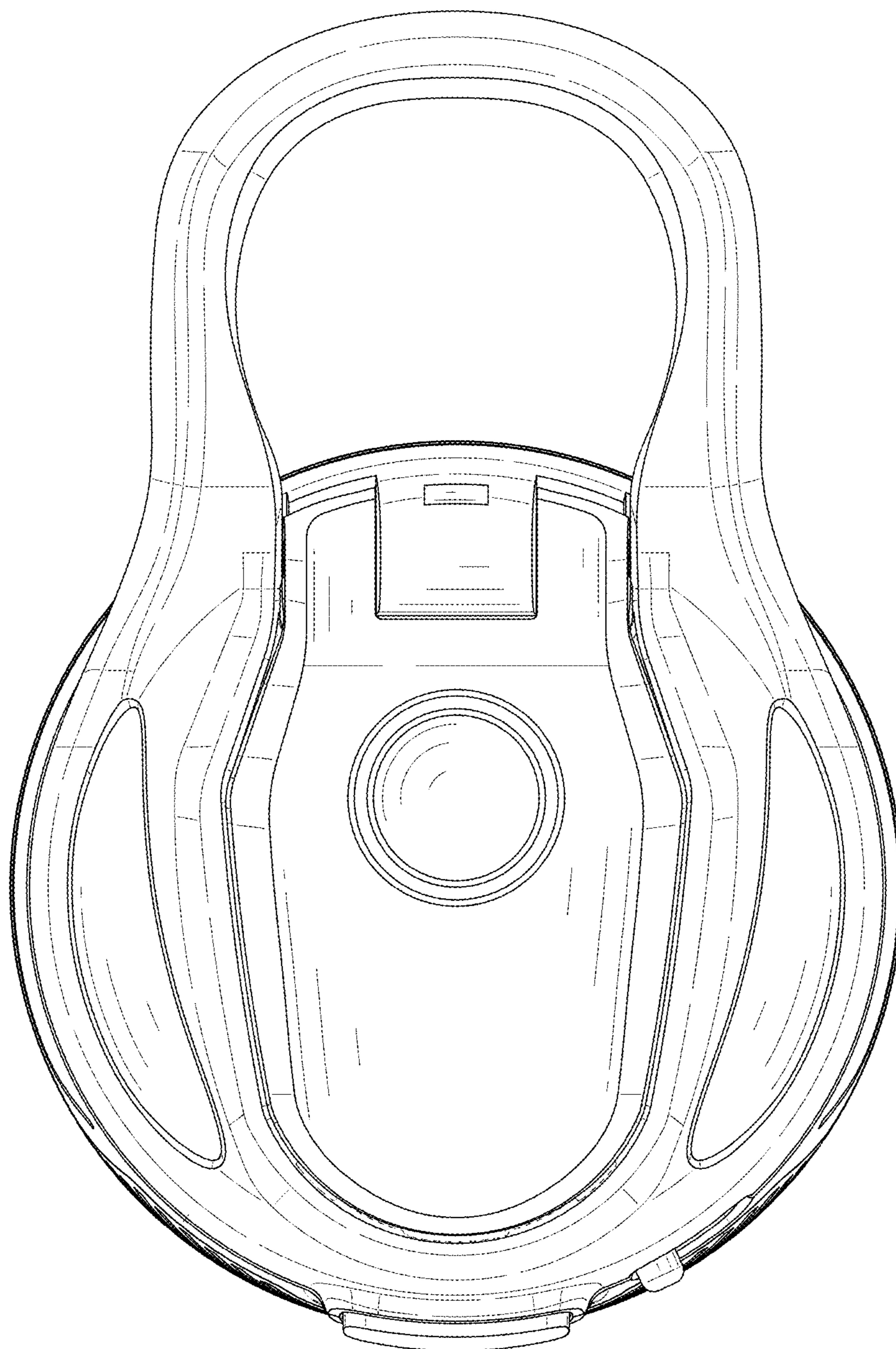


FIG. 7



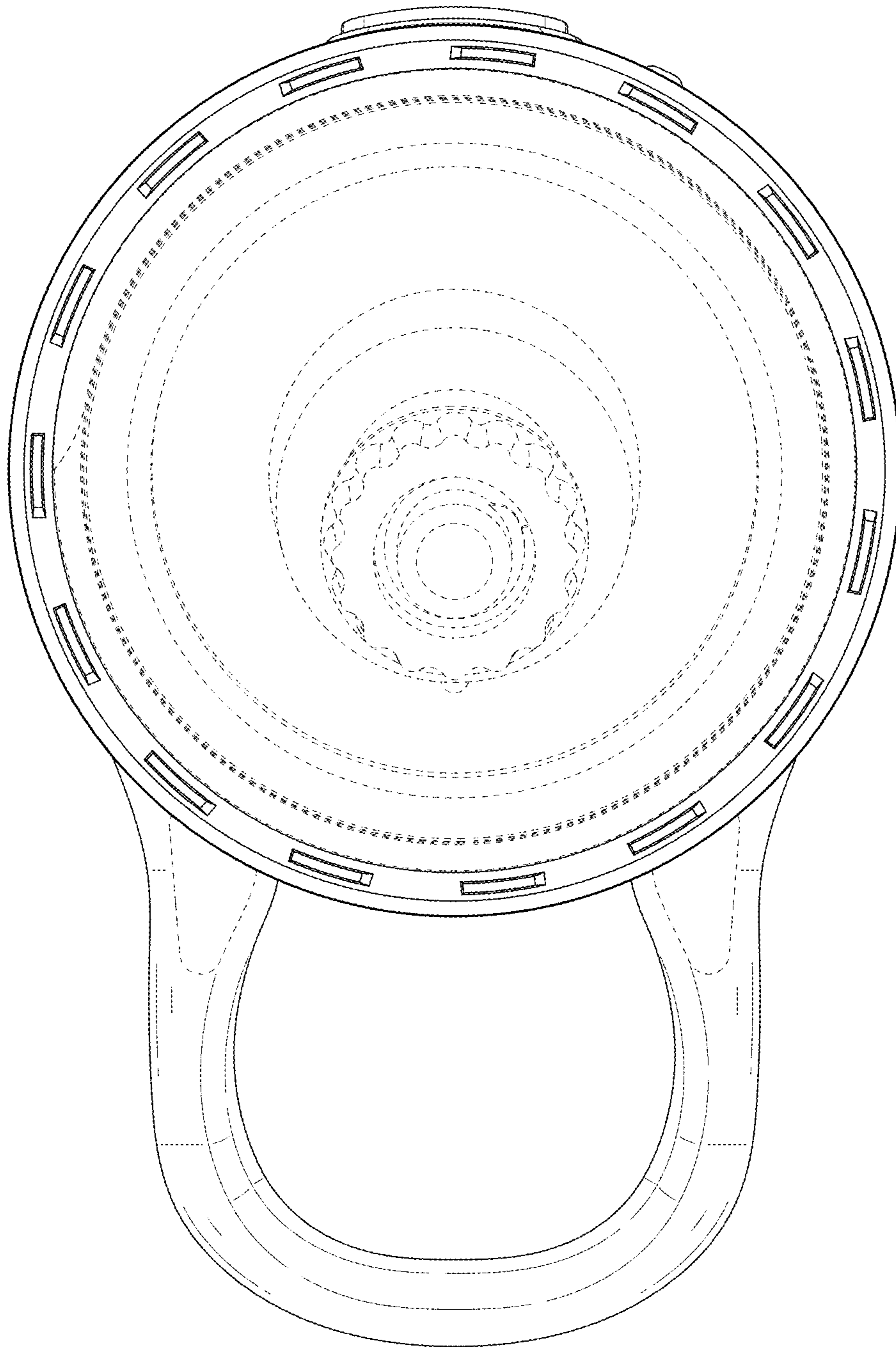


FIG. 8

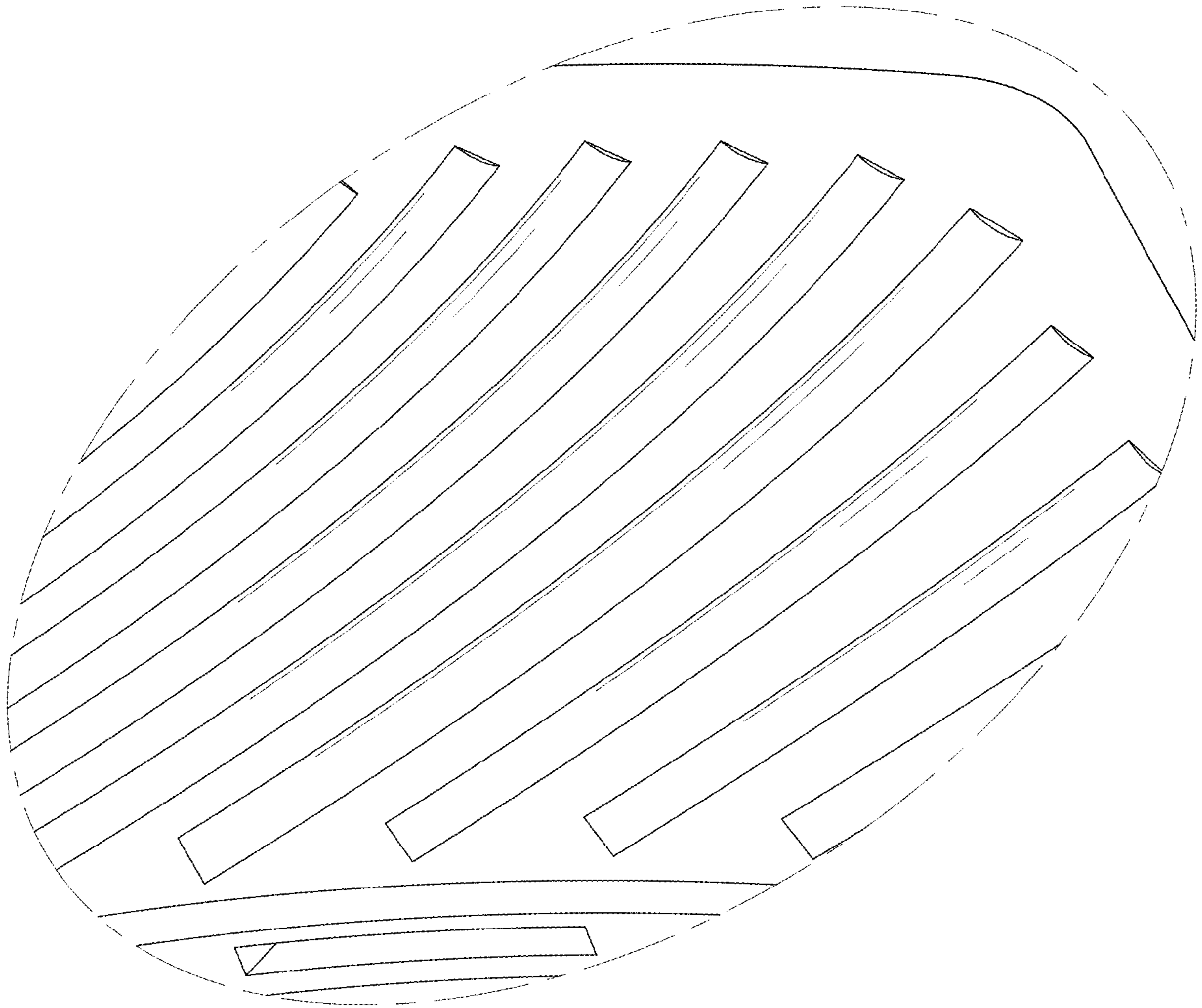


FIG. 9