



US00D964098S

(12) **United States Design Patent** (10) **Patent No.:** **US D964,098 S**
Deng (45) **Date of Patent:** **** Sep. 20, 2022**

(54) **HANDLE FOR BEVERAGE CONTAINER**

(71) Applicant: **Haishan Deng**, Katy, TX (US)

(72) Inventor: **Haishan Deng**, Katy, TX (US)

(73) Assignee: **GOVO, LLC**, Katy, TX (US)

(**) Term: **15 Years**

(21) Appl. No.: **29/790,600**

(22) Filed: **Dec. 5, 2021**

Related U.S. Application Data

(63) Continuation-in-part of application No. 16/937,583, filed on Jul. 24, 2020.

(51) **LOC (13) Cl.** **07-01**

(52) **U.S. Cl.**
USPC **D7/393**; D7/396.2; D8/331

(58) **Field of Classification Search**
USPC D7/507, 509, 510, 511, 523, 531, 532, D7/608, 392.1, 396.2, 396.3, 387, 388, D7/389, 213, 633, 631, 394, 393, 535, D7/536; D9/500, 501, 502, 447, 434; D3/202; D21/390, 386; D11/26; D10/46.2; D8/302, 331, 343
CPC A47G 19/22; A47G 19/25; A47G 19/2272; A47G 19/2288; A61J 9/00; A47J 41/02
See application file for complete search history.

(56) **References Cited**

U.S. PATENT DOCUMENTS

D197,407 S * 1/1964 Clayton D7/533
D316,209 S * 4/1991 Lackovic D7/533
D393,197 S * 4/1998 Burnley D8/331
D469,331 S * 1/2003 Hansen D8/306
D511,931 S * 11/2005 Sano D7/393
D564,300 S * 3/2008 Liu D7/510
D574,213 S * 8/2008 Linares D8/306

D580,703 S * 11/2008 Devries D7/393
D588,896 S * 3/2009 Ricereto D8/307
D632,157 S * 2/2011 Le D8/306
D644,911 S * 9/2011 Le D8/301
D685,226 S * 7/2013 Aylward D7/533
D693,632 S * 11/2013 Dolvin D7/394
D779,908 S * 2/2017 Le D8/306

(Continued)

OTHER PUBLICATIONS

RTIC https://www.amazon.com/dp/B09FRQFQ4H/ref=cm_sw_em_r_mt_dp_2MVEEGGH9PDW49P1VN1S?_encoding=UTF8&psc=1 Sep. 2021 (Year: 2021).*

(Continued)

Primary Examiner — Jae Liang

(74) *Attorney, Agent, or Firm* — George Guosheng Wang; Upstream Research and Patent LLC

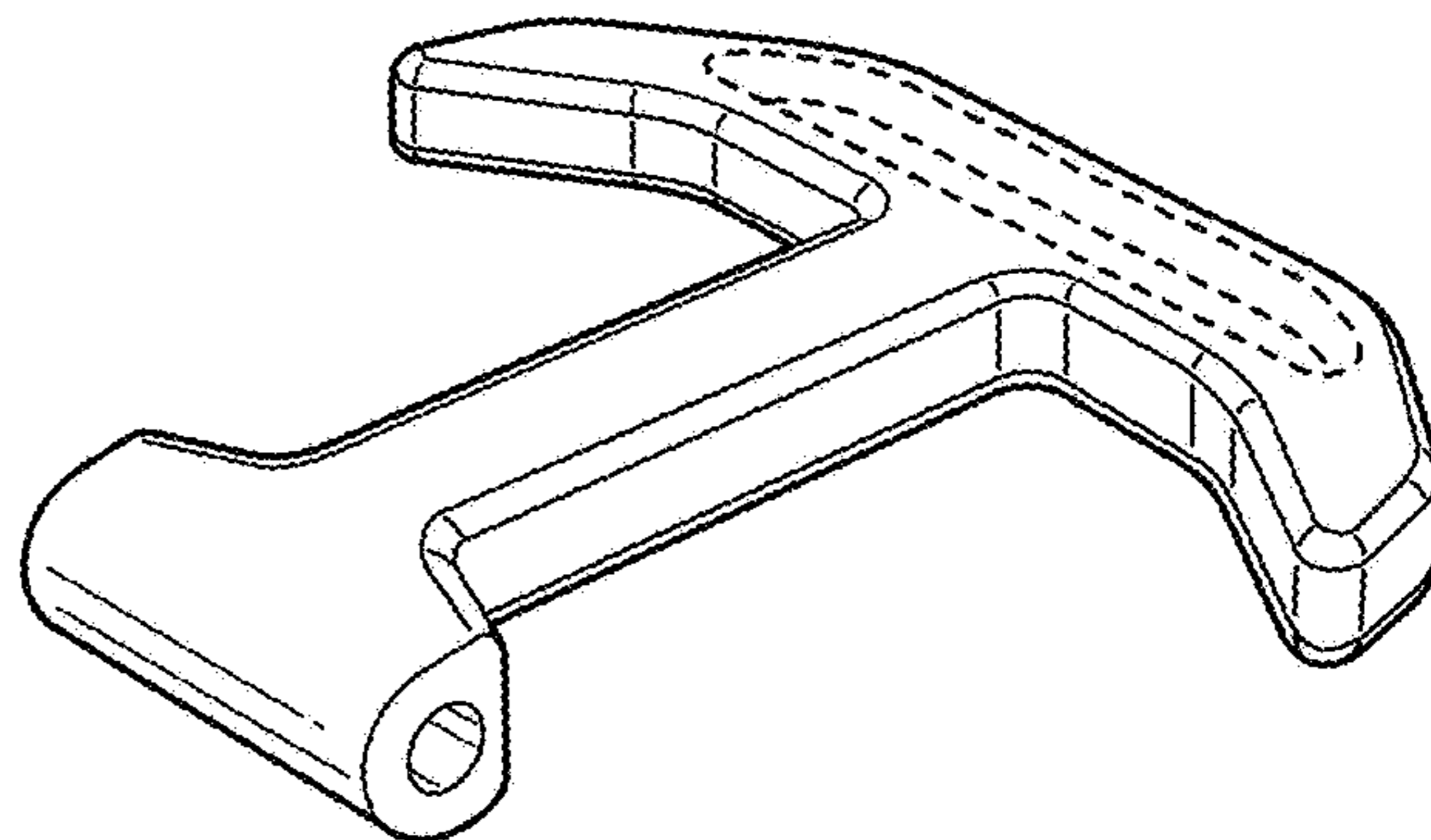
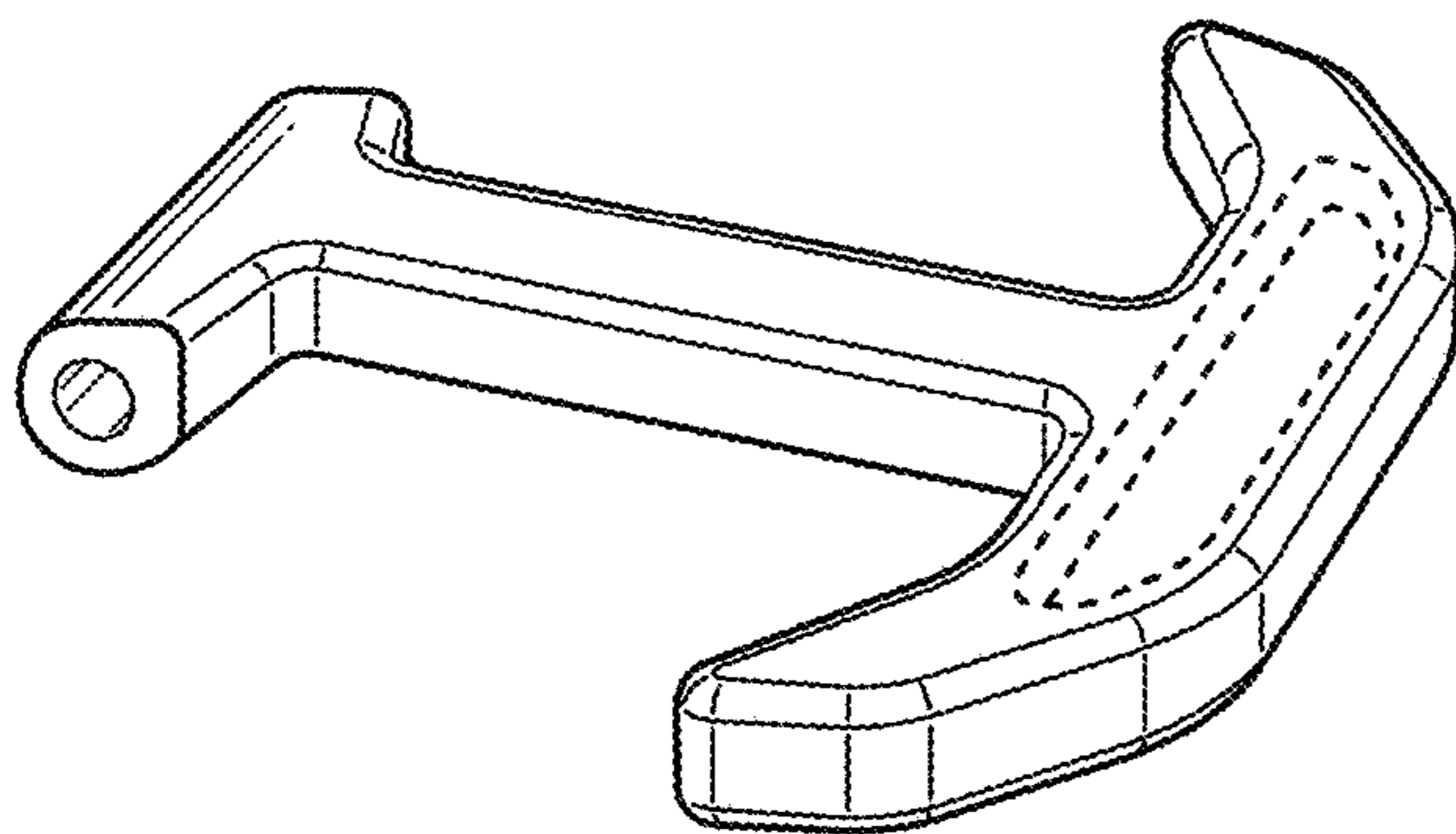
(57) **CLAIM**

I claim the ornamental design for a handle for beverage container, as shown and described.

DESCRIPTION

FIG. 1 is a front, left side, and top perspective view of a handle for beverage container showing my new design; FIG. 2 is a rear, left side, and top perspective view thereof; FIG. 3 is a front elevational view thereof; FIG. 4 is a rear elevational view thereof; FIG. 5 is a right elevational view thereof; FIG. 6 is a top view thereof; and FIG. 7 is a top view thereof. FIG. 8 is an environmental front, left side, and top perspective view thereof; and, FIG. 9 is an environmental front, left side, and top perspective view thereof. The broken lines in the drawings depict environmental subject matter only and form no part of the claimed design.

1 Claim, 7 Drawing Sheets



(56)

References Cited

U.S. PATENT DOCUMENTS

D809,336 S * 2/2018 Truong D7/393
D899,889 S * 10/2020 Eads D8/307
D913,075 S * 3/2021 Mihm D8/302
D922,826 S * 6/2021 Lin D7/510
D923,448 S * 6/2021 Weinerman D8/321
2003/0111848 A1 * 6/2003 Hansen E05B 1/0092
292/336.3
2022/0055825 A1 * 2/2022 McNicholas B01F 33/50111

OTHER PUBLICATIONS

<https://www.amazon.com/BJA-Anchor-Positive-Different-Zippers/dp/B09H58STMG?th=1> Sep. 26, 2021 (Year: 2021).*
<https://www.amazon.com/BJA-Anchor-Positive-Different-Zippers/dp/B09H58STMG?th=1> Dec. 18, 2020 (Year: 2020).*

* cited by examiner

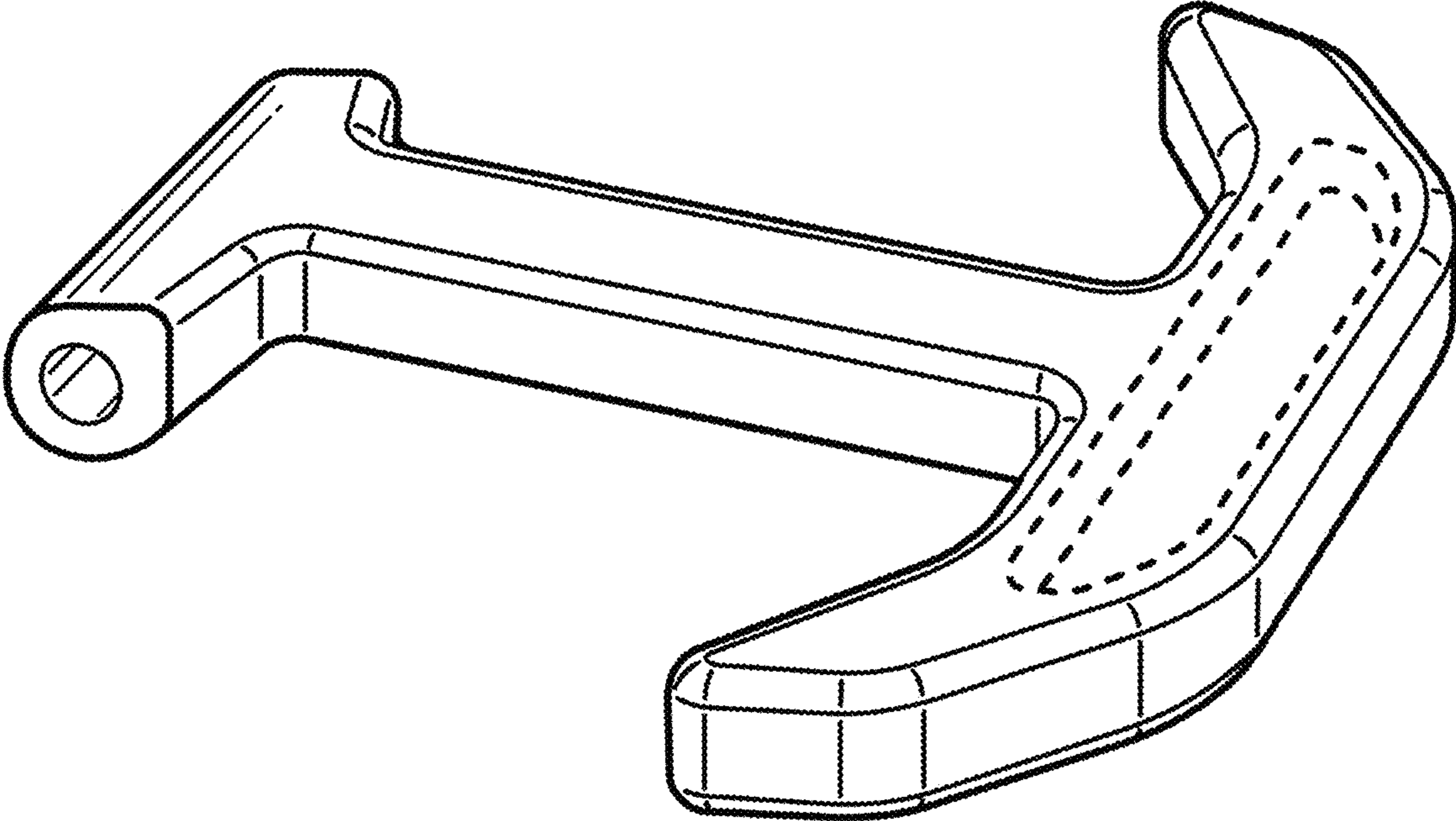


Fig. 1

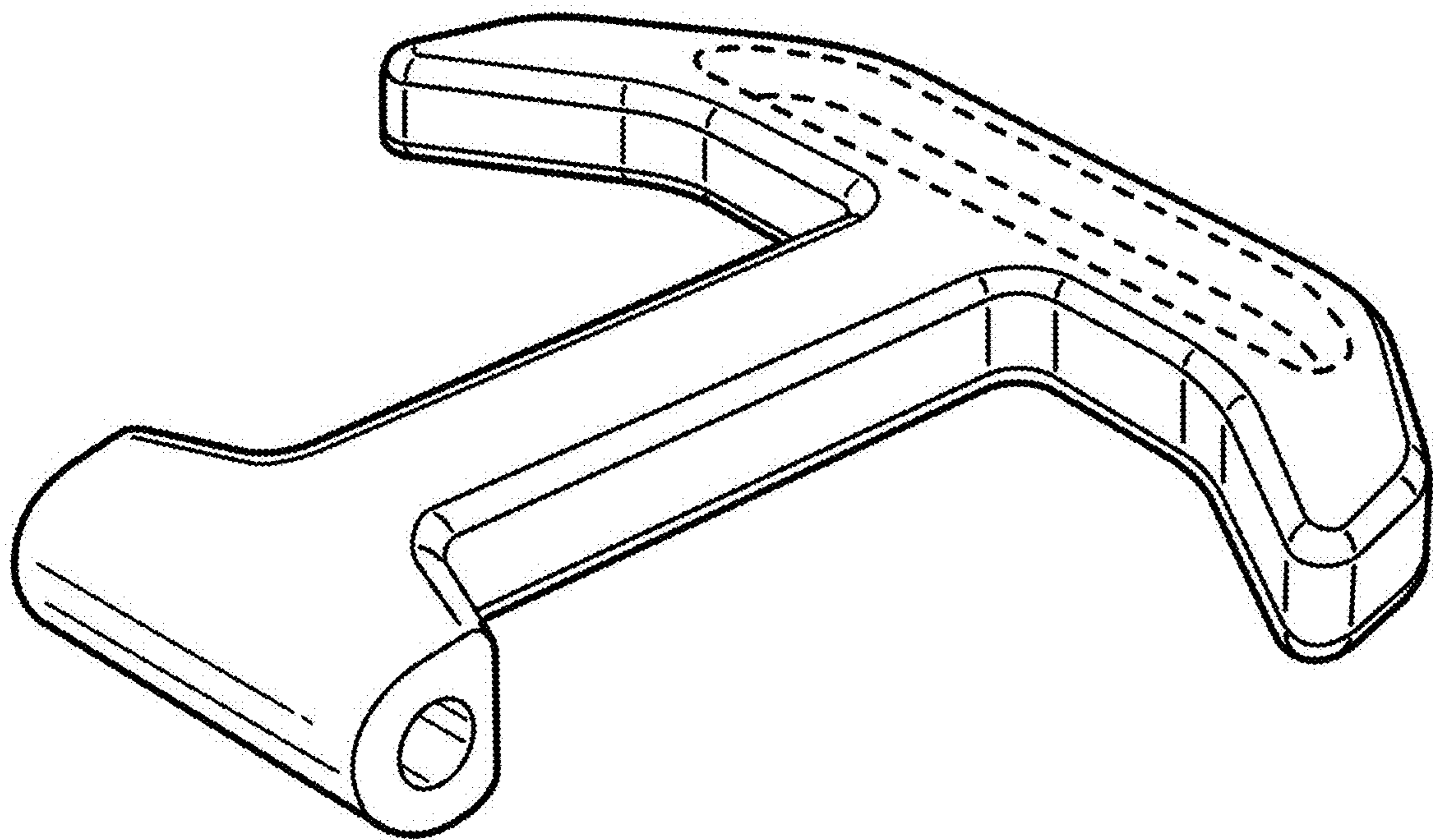


Fig. 2

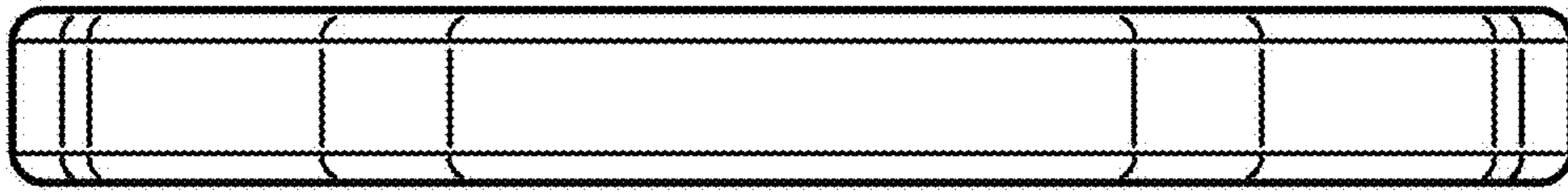


Fig. 3



Fig. 4



Fig. 5

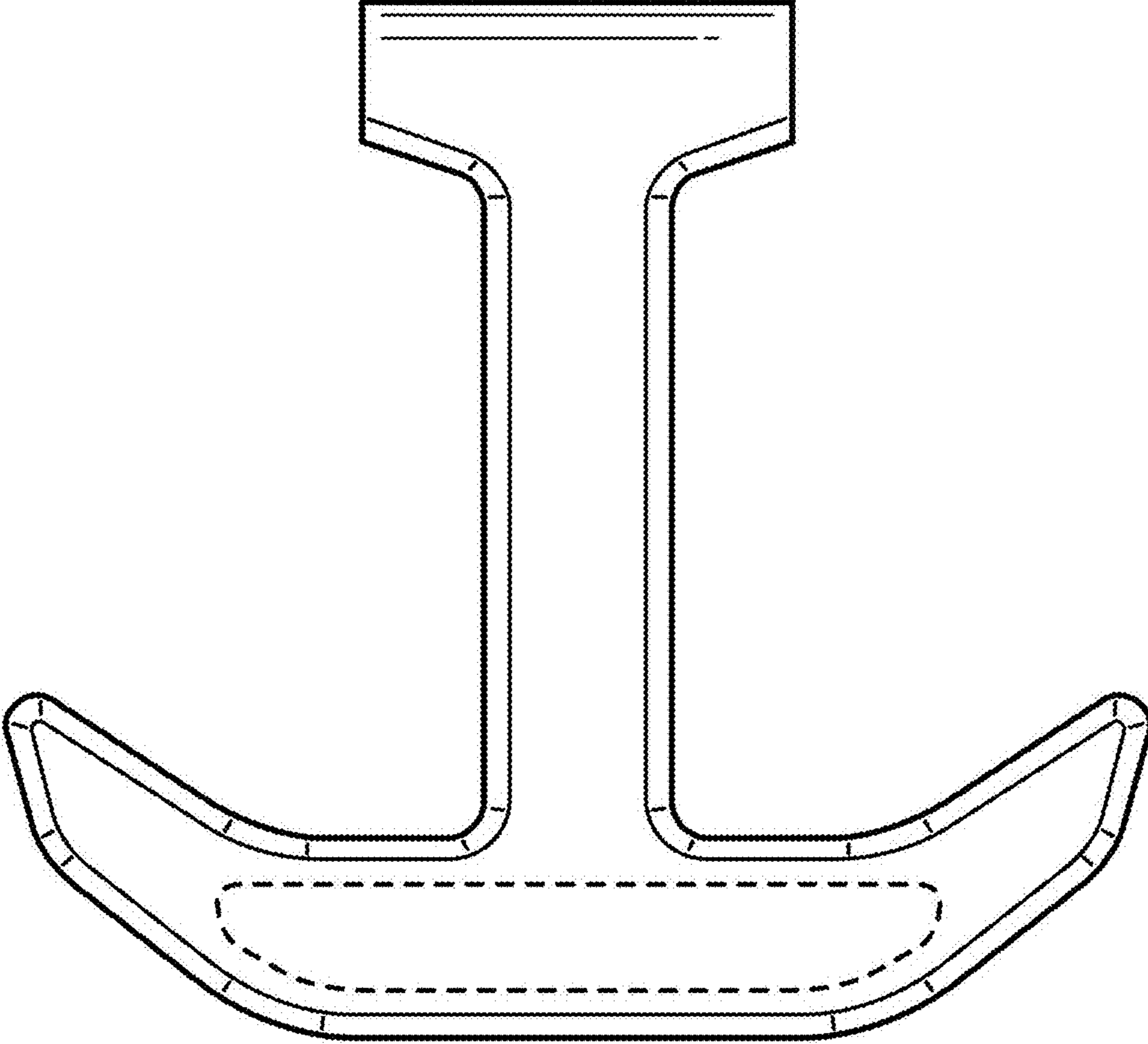


Fig. 6

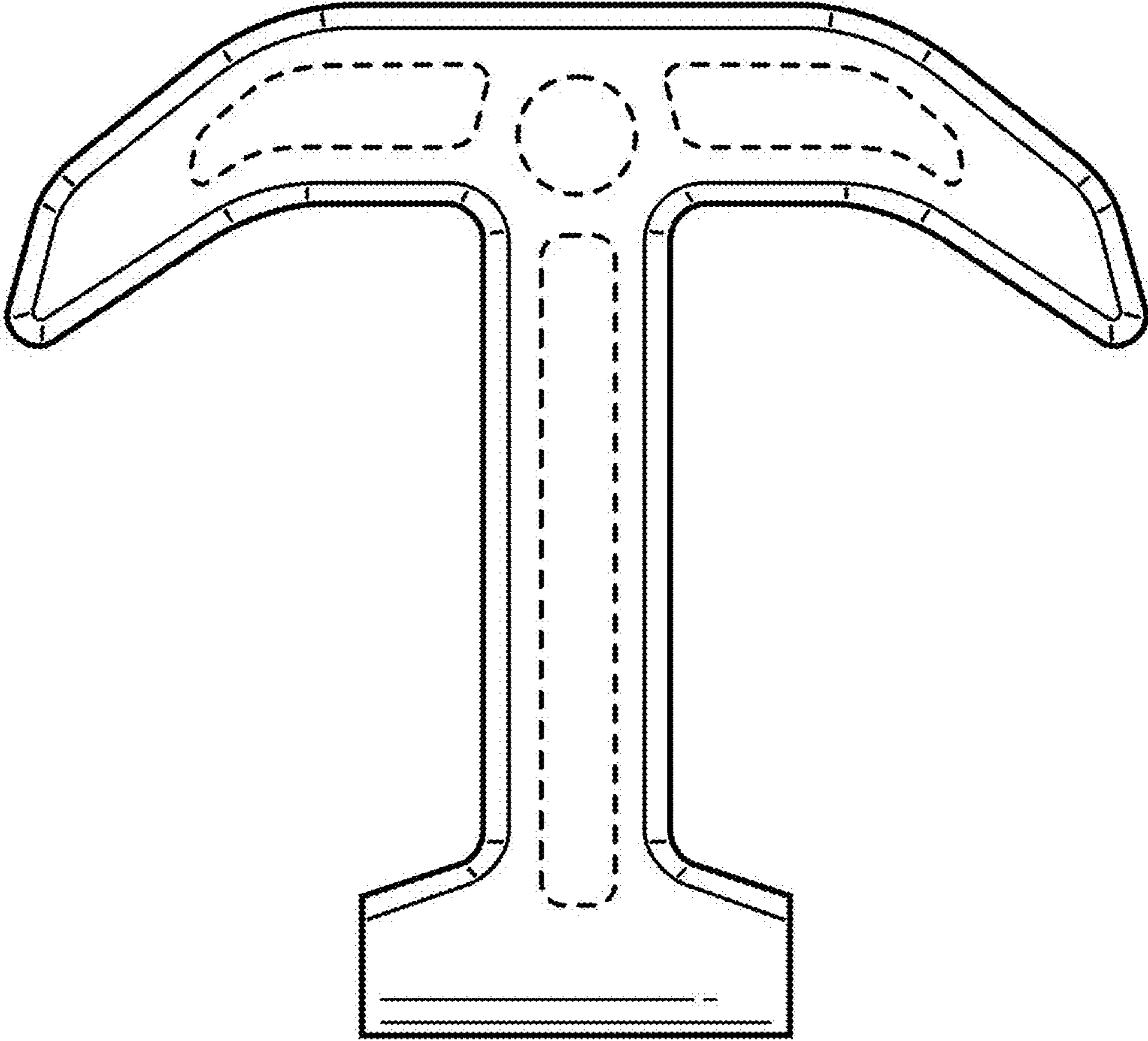


Fig. 7

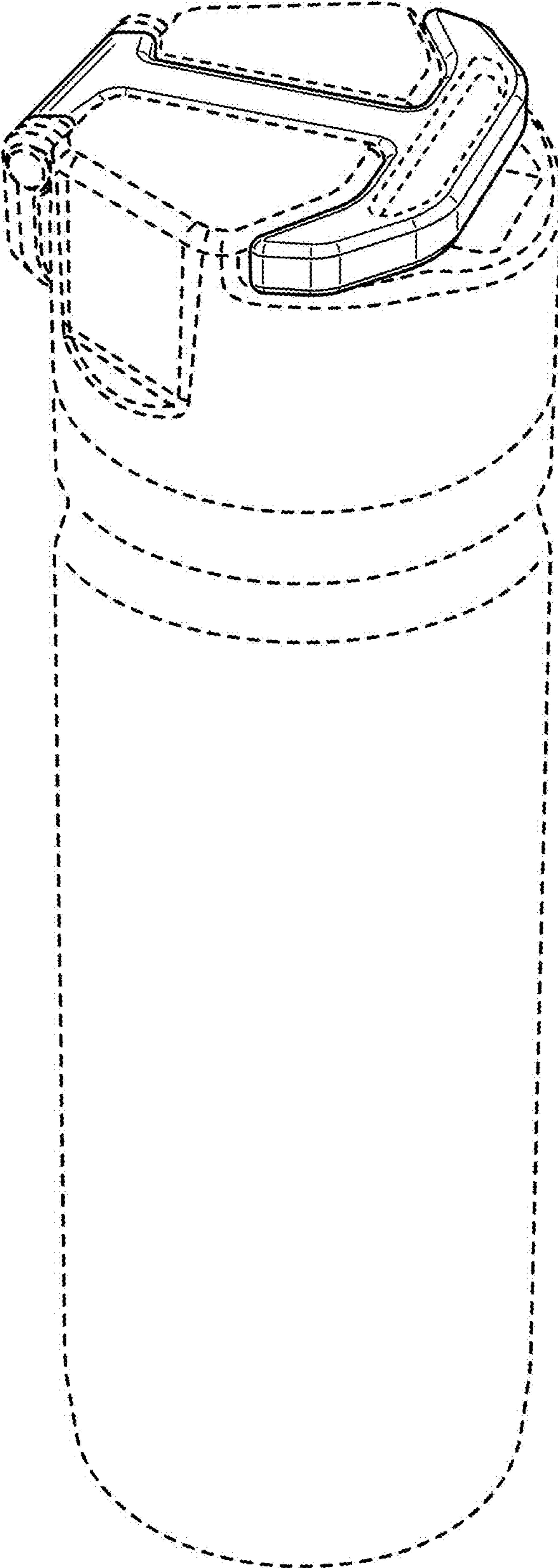


Fig. 8

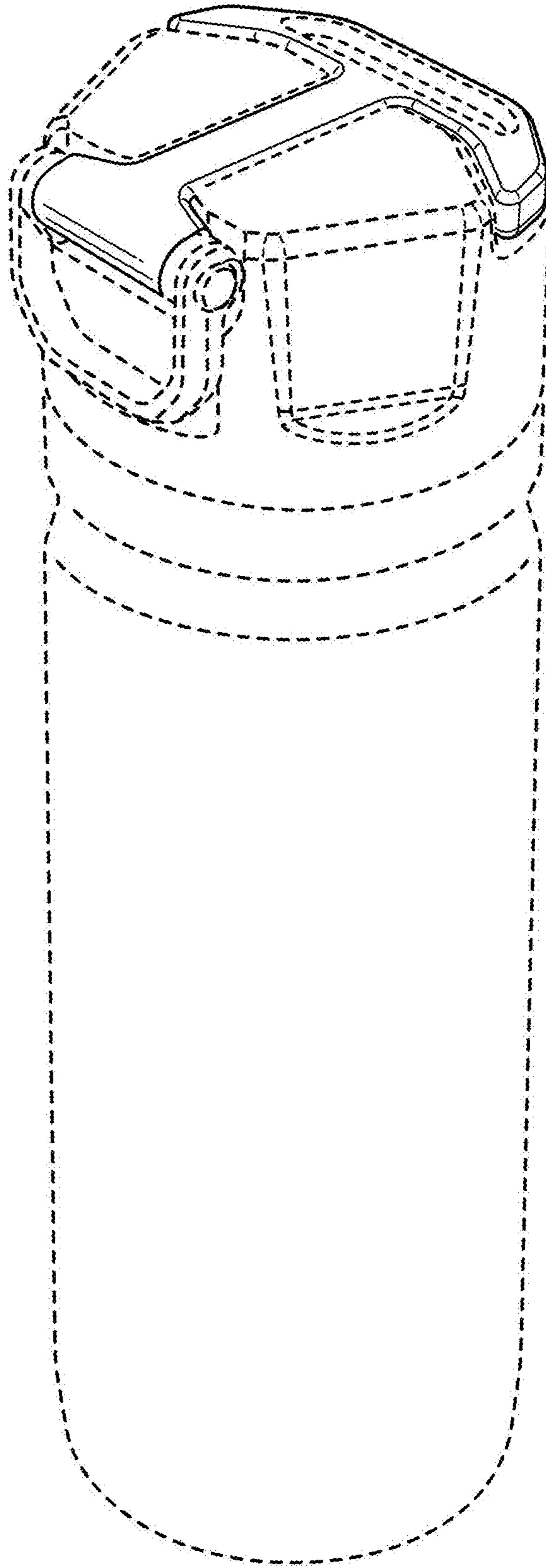


Fig. 9