



US00D964095S

(12) **United States Design Patent**
Saadeh

(10) **Patent No.:** **US D964,095 S**
(45) **Date of Patent:** **** Sep. 20, 2022**

(54) **CONTAINER LID**

DESCRIPTION

- (71) Applicant: **GOURMET HOME PRODUCTS, LLC**, New York, NY (US)
- (72) Inventor: **Jack Saadeh**, New York, NY (US)
- (73) Assignee: **GOURMET HOME PRODUCTS, LLC**, New York, NY (US)
- (**) Term: **15 Years**
- (21) Appl. No.: **29/726,143**
- (22) Filed: **Feb. 28, 2020**
- (51) **LOC (13) Cl.** **07-01**
- (52) **U.S. Cl.**
USPC **D7/392.1; D7/396.2; D9/447; D9/449**
- (58) **Field of Classification Search**
USPC **D7/392, 392.1, 396.2, 391; D9/434–436, D9/439, 440, 443–447, 449, 452, 454, D9/499**

(Continued)

(56) **References Cited**

U.S. PATENT DOCUMENTS

- D204,574 S * 4/1966 Harvey D9/438
- D500,428 S * 1/2005 Ward D7/392.1

(Continued)

OTHER PUBLICATIONS

Amazon. 20 oz Tumbler Lids, Fits for Yeti Rambler, Ozark Trail, Old Style Rtic and More, 2 Pack Spill-proof Splash Resistant Lids Covers for Tumblers Cups. Jul. 2, 2019. <https://amzn.to/3IIZs1Q> (Year: 2019).*

(Continued)

Primary Examiner — Darcey E Gottschalk

(74) *Attorney, Agent, or Firm* — Dorsey & Whitney LLP

(57) **CLAIM**

I claim the ornamental design for a container lid, substantially as shown and described.

FIG. 1 is a top isometric view of a first embodiment of a container lid in a closed configuration.
 FIG. 2 is a bottom isometric view of the container lid of FIG. 1.
 FIG. 3 is a front elevation view of the container lid of FIG. 1.
 FIG. 4 is a rear elevation view of the container lid of FIG. 1.
 FIG. 5 is a right side elevation view of the container lid of FIG. 1.
 FIG. 6 is a left side elevation view of the container lid of FIG. 1.
 FIG. 7 is a top plan view of the container lid of FIG. 1.
 FIG. 8 is a bottom plan view of the container lid of FIG. 1.
 FIG. 9 is a top isometric view of the container lid of FIG. 1 in an open configuration.
 FIG. 10 is a bottom isometric view of the container lid of FIG. 9.
 FIG. 11 is a front elevation view of the container lid of FIG. 9.
 FIG. 12 is a rear elevation view of the container lid of FIG. 9.
 FIG. 13 is a right side elevation view of the container lid of FIG. 9.
 FIG. 14 is a left side elevation view of the container lid of FIG. 9.
 FIG. 15 is a top plan view of the container lid of FIG. 9.
 FIG. 16 is a bottom plan view of the container lid of FIG. 9.
 FIG. 17 is an isometric view of the container lid of FIG. 9 in an exemplary environment.
 FIG. 18 is a top isometric view of a second embodiment of a container lid in a closed configuration.
 FIG. 19 is a bottom isometric view of the container lid of FIG. 18.
 FIG. 20 is a front elevation view of the container lid of FIG. 18.
 FIG. 21 is a rear elevation view of the container lid of FIG. 18.
 FIG. 22 is a right side elevation view of the container lid of FIG. 18.

(Continued)

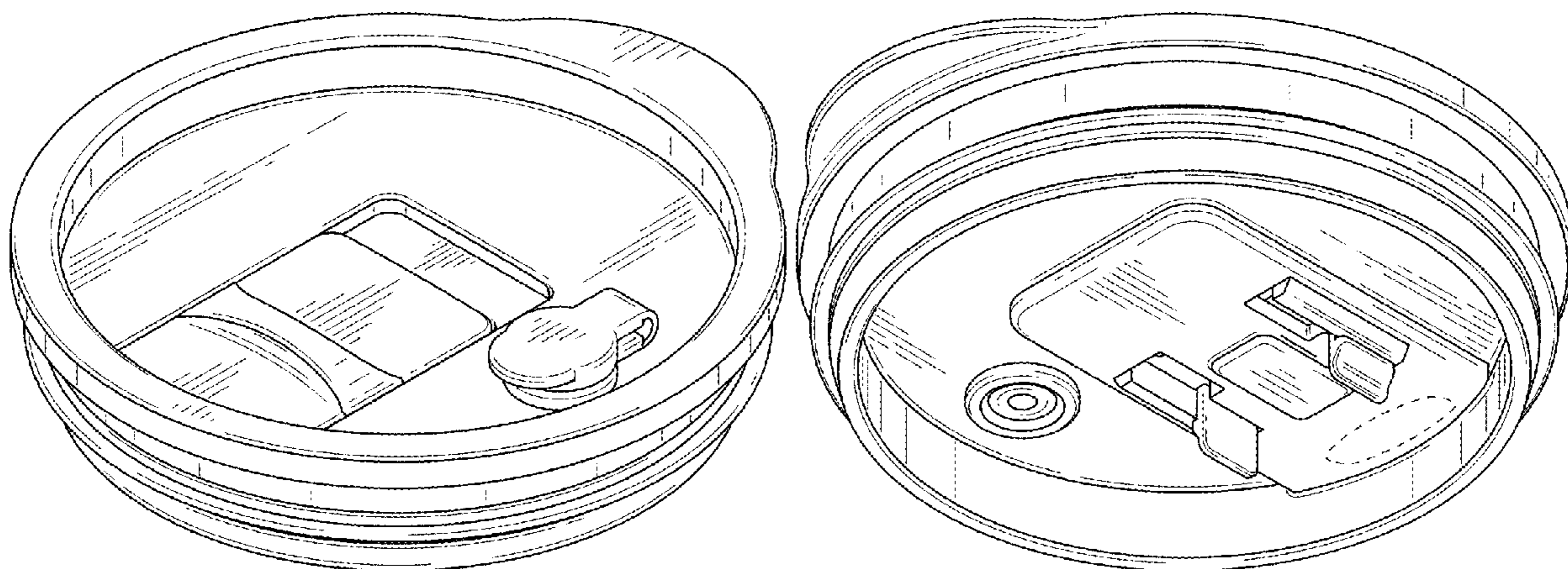


FIG. 23 is a left side elevation view of the container lid of FIG. 18.
 FIG. 24 is a top plan view of the container lid of FIG. 18.
 FIG. 25 is a bottom plan view of the container lid of FIG. 18.
 FIG. 26 is a top isometric view of the container lid of FIG. 18 in an open configuration.
 FIG. 27 is a bottom isometric view of the container lid of FIG. 26.
 FIG. 28 is a front elevation view of the container lid of FIG. 26.
 FIG. 29 is a rear elevation view of the container lid of FIG. 26.
 FIG. 30 is a right side elevation view of the container lid of FIG. 26.
 FIG. 31 is a left side elevation view of the container lid of FIG. 26.
 FIG. 32 is a top plan view of the container lid of FIG. 26.
 FIG. 33 is a bottom plan view of the container lid of FIG. 26.
 FIG. 34 is an isometric view of the container lid of FIG. 26 in an exemplary environment.
 FIG. 35 is a top isometric view of a third embodiment of a container lid in a closed configuration.
 FIG. 36 is a bottom isometric view of the container lid of FIG. 35.
 FIG. 37 is a front elevation view of the container lid of FIG. 35.
 FIG. 38 is a rear elevation view of the container lid of FIG. 35.
 FIG. 39 is a right side elevation view of the container lid of FIG. 35.
 FIG. 40 is a left side elevation view of the container lid of FIG. 35.
 FIG. 41 is a top plan view of the container lid of FIG. 35.
 FIG. 42 is a bottom plan view of the container lid of FIG. 35.
 FIG. 43 is a top isometric view of the container lid of FIG. 35 in an open configuration.
 FIG. 44 is a bottom isometric view of the container lid of FIG. 43.
 FIG. 45 is a front elevation view of the container lid of FIG. 43.
 FIG. 46 is a rear elevation view of the container lid of FIG. 43.
 FIG. 47 is a right side elevation view of the container lid of FIG. 43.
 FIG. 48 is a left side elevation view of the container lid of FIG. 43.
 FIG. 49 is a top plan view of the container lid of FIG. 43.

FIG. 50 is a bottom plan view of the container lid of FIG. 43; and,
 FIG. 51 is an isometric view of the container lid of FIG. 43 in an exemplary environment.
 The broken lines in the drawings illustrate portions of the container lid that form no part of the claimed design.

1 Claim, 27 Drawing Sheets

(58) **Field of Classification Search**

CPC B65D 2543/00046; B65D 2543/00092;
 B65D 2543/00537; B65D 47/06; B65D
 47/08; B65D 47/242; B65D 47/103;
 B65D 43/16; B65D 43/0222; B65D
 51/242; A47G 19/22; A47G 19/2205;
 A47G 19/2272

See application file for complete search history.

(56) **References Cited**

U.S. PATENT DOCUMENTS

D514,444	S	*	2/2006	Smith	D9/447
D591,556	S	*	5/2009	Fuller	D7/396.1
9,238,529	B1	*	1/2016	Newman	B65D 47/32
D761,104	S	*	7/2016	Buck	D9/447
D801,746	S	*	11/2017	Thuma	D7/392.1
D815,893	S	*	4/2018	Seiders	D7/396.2
D851,445	S	*	6/2019	Silsby	D7/392.1
D857,443	S	*	8/2019	Hill	D7/392.1
D897,148	S	*	9/2020	Han	D7/392.1
D899,845	S	*	10/2020	Hamilton	D7/392.1
D910,370	S	*	2/2021	Chu	D7/396.2
D913,037	S	*	3/2021	Jordan	D7/392.1
D914,439	S	*	3/2021	Reaux	D7/392.1
D919,112	S	*	5/2021	Rathbone	D24/224
D923,393	S	*	6/2021	Colegate	D7/392.1
D929,801	S	*	9/2021	Henkel	D7/392.1
D933,418	S	*	10/2021	Sareault	D7/396.2
D944,083	S	*	2/2022	Boggs	D7/392.1
2014/0048549	A1	*	2/2014	Wille	B65D 47/0895 220/713
2017/0121074	A1	*	5/2017	Seiders	A47G 19/2272

OTHER PUBLICATIONS

Amazon. (2 Pack) Magnetic Spill Proof Tumbler Lids—Compatible/ Replacement Fits Yeti Rambler Lids 20 Oz Tumblers. Aug. 26, 2021. <https://amzn.to/3pqdAyg> (Year: 2021).*

* cited by examiner

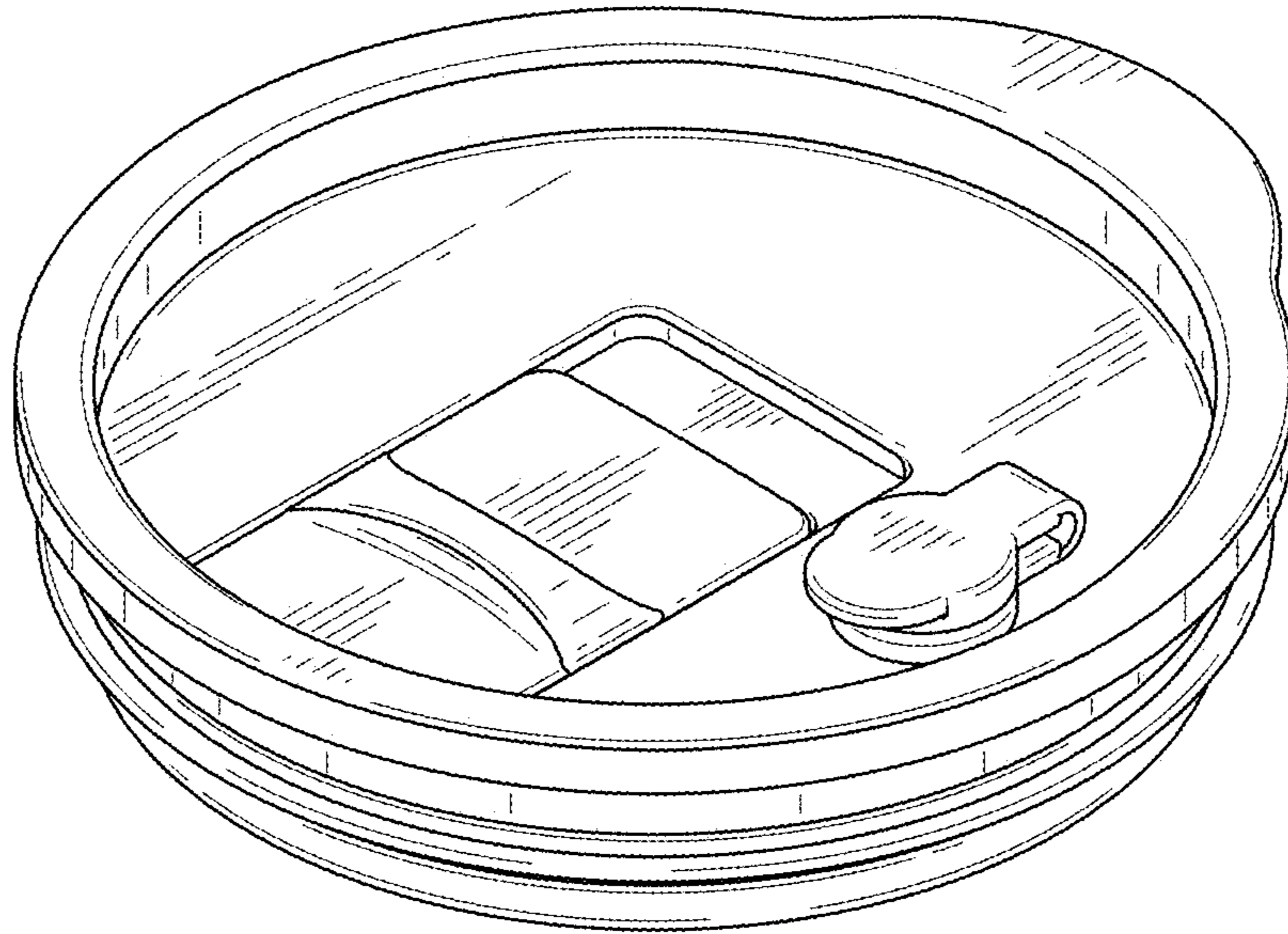


FIG. 1

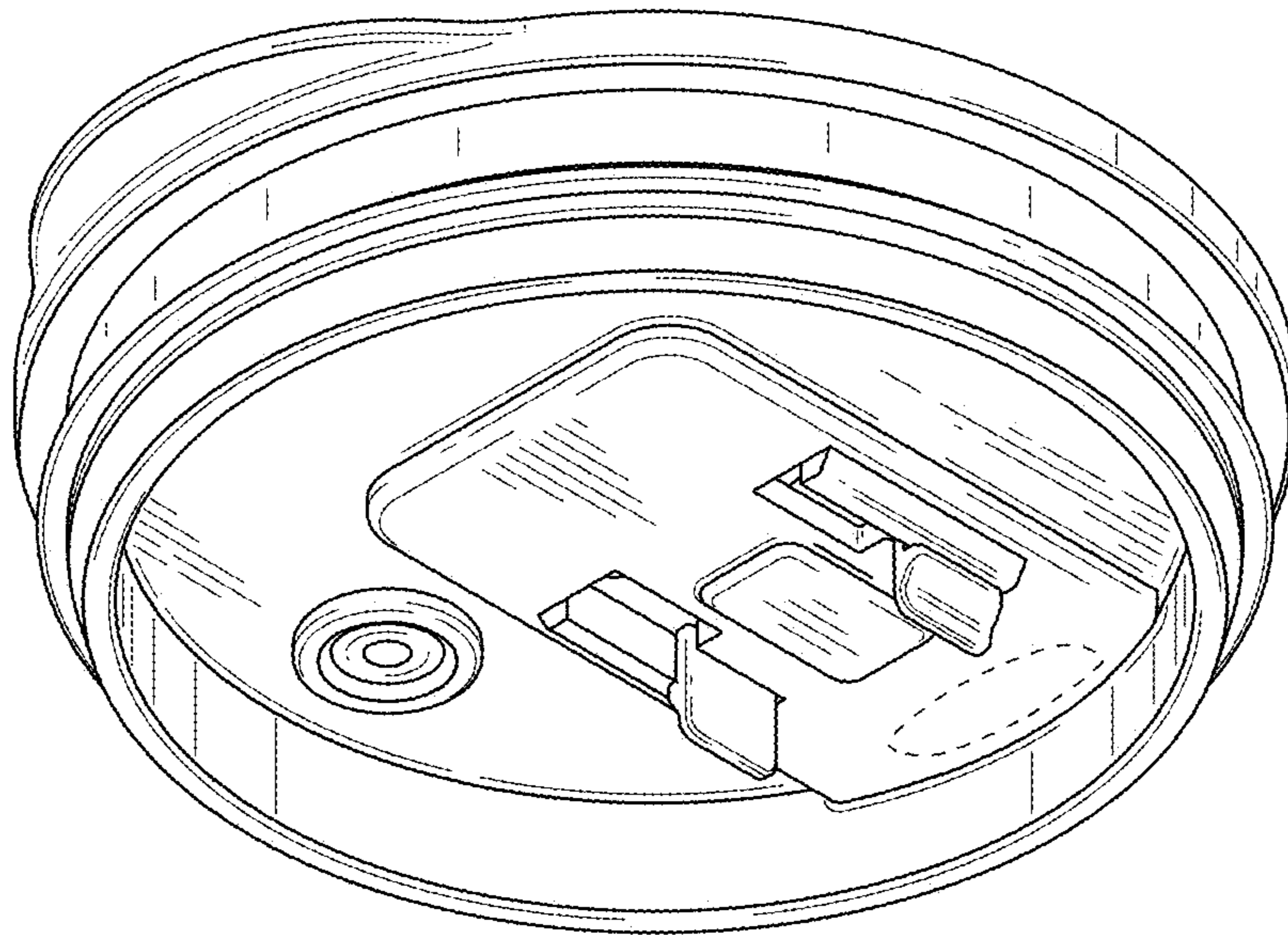


FIG. 2

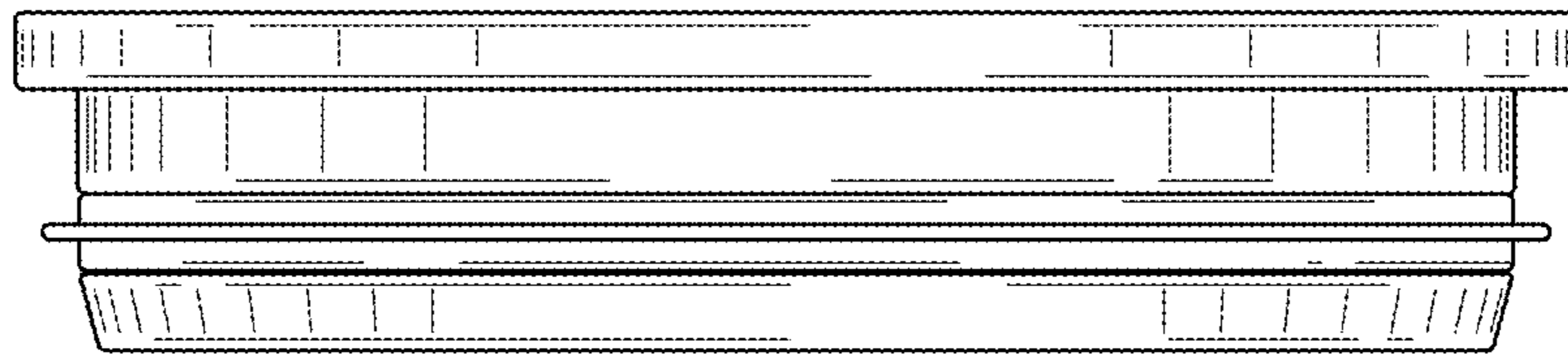


FIG. 3

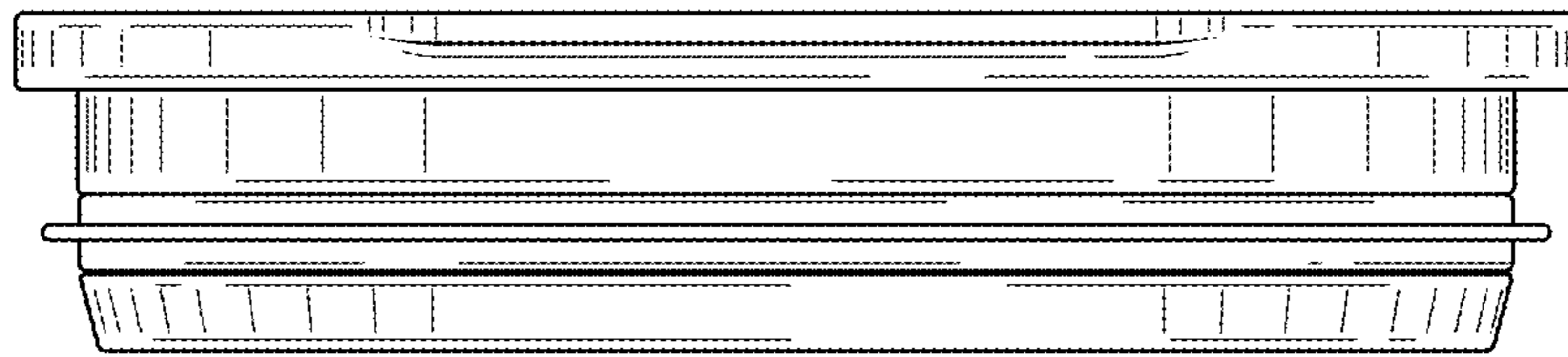


FIG. 4

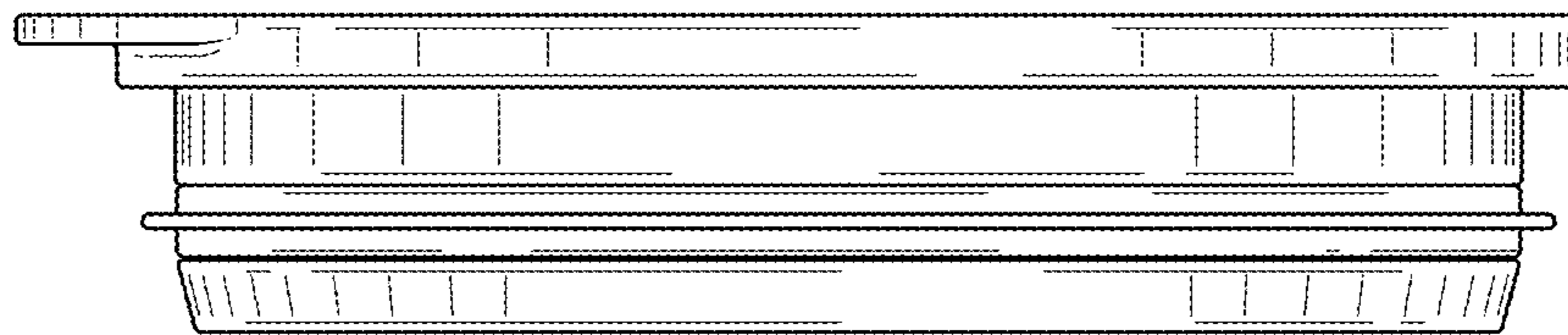


FIG. 5

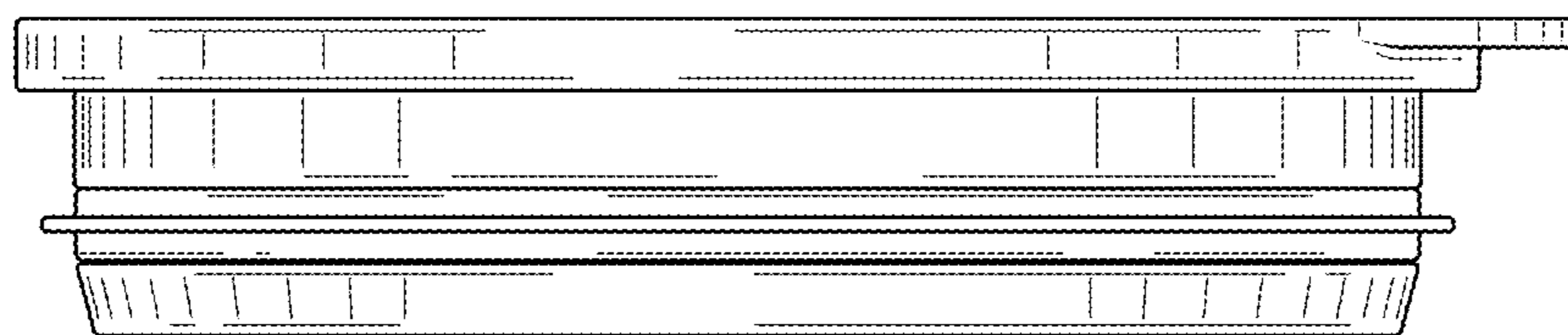


FIG. 6

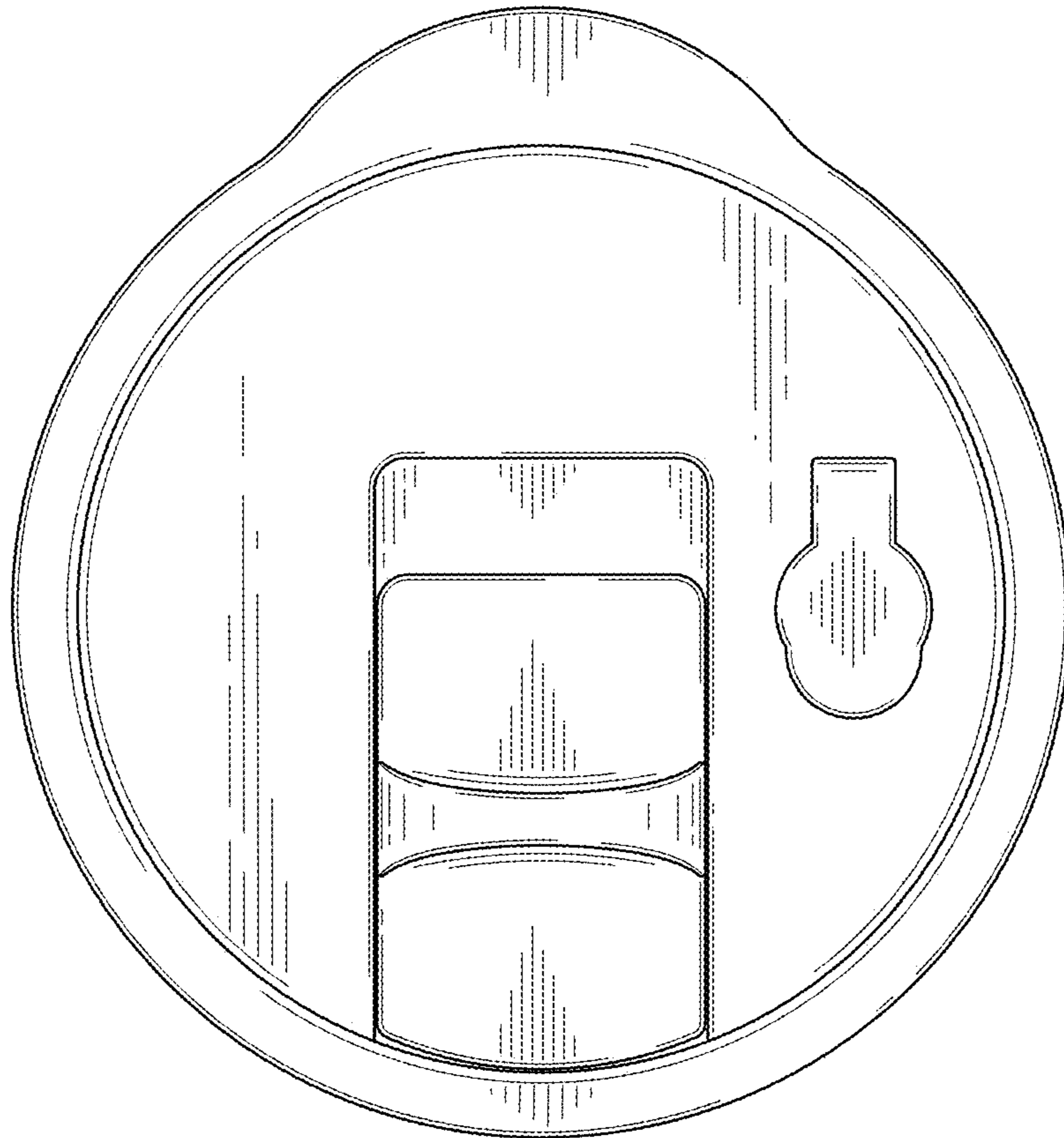


FIG. 7

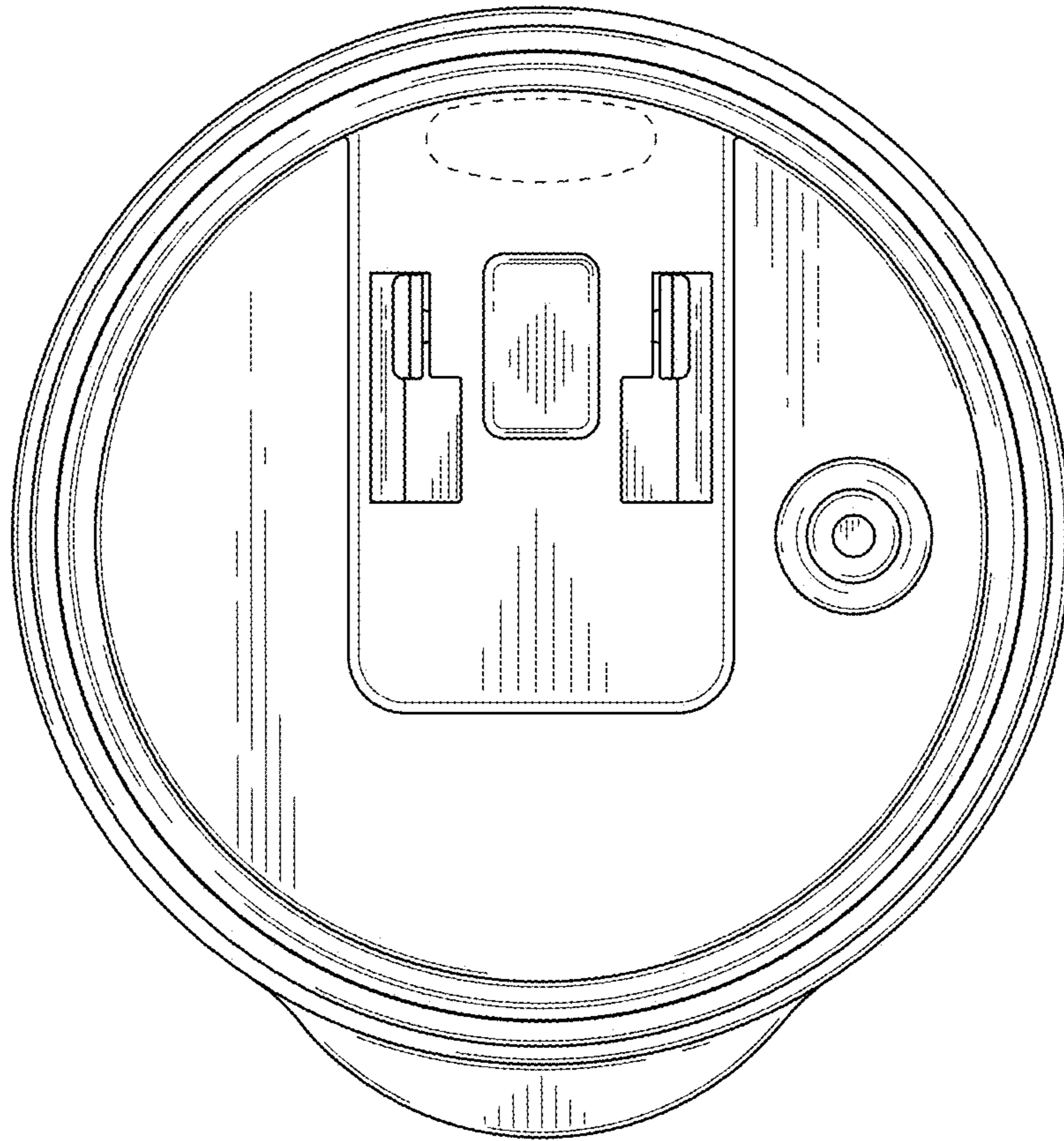


FIG. 8

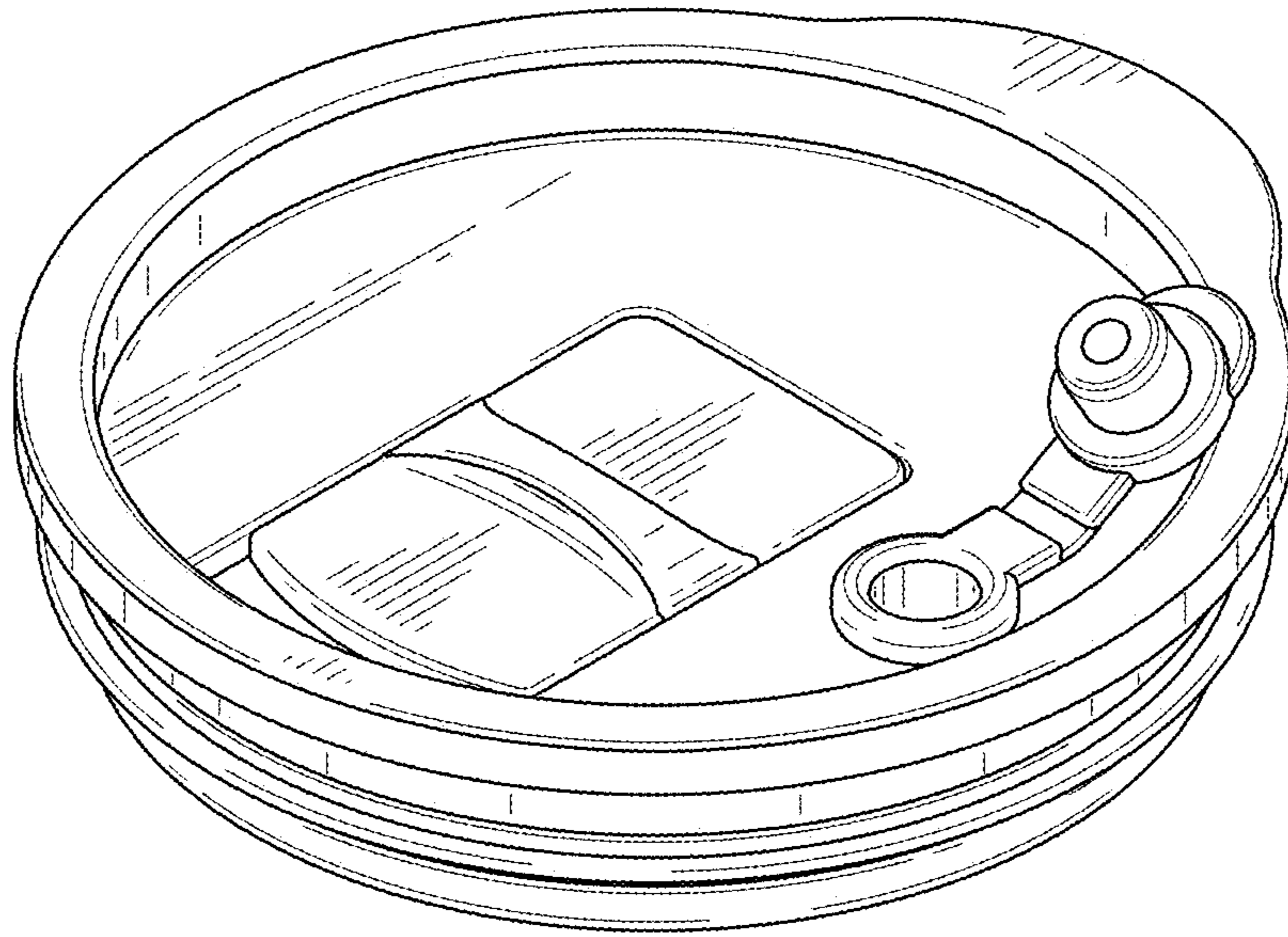


FIG. 9

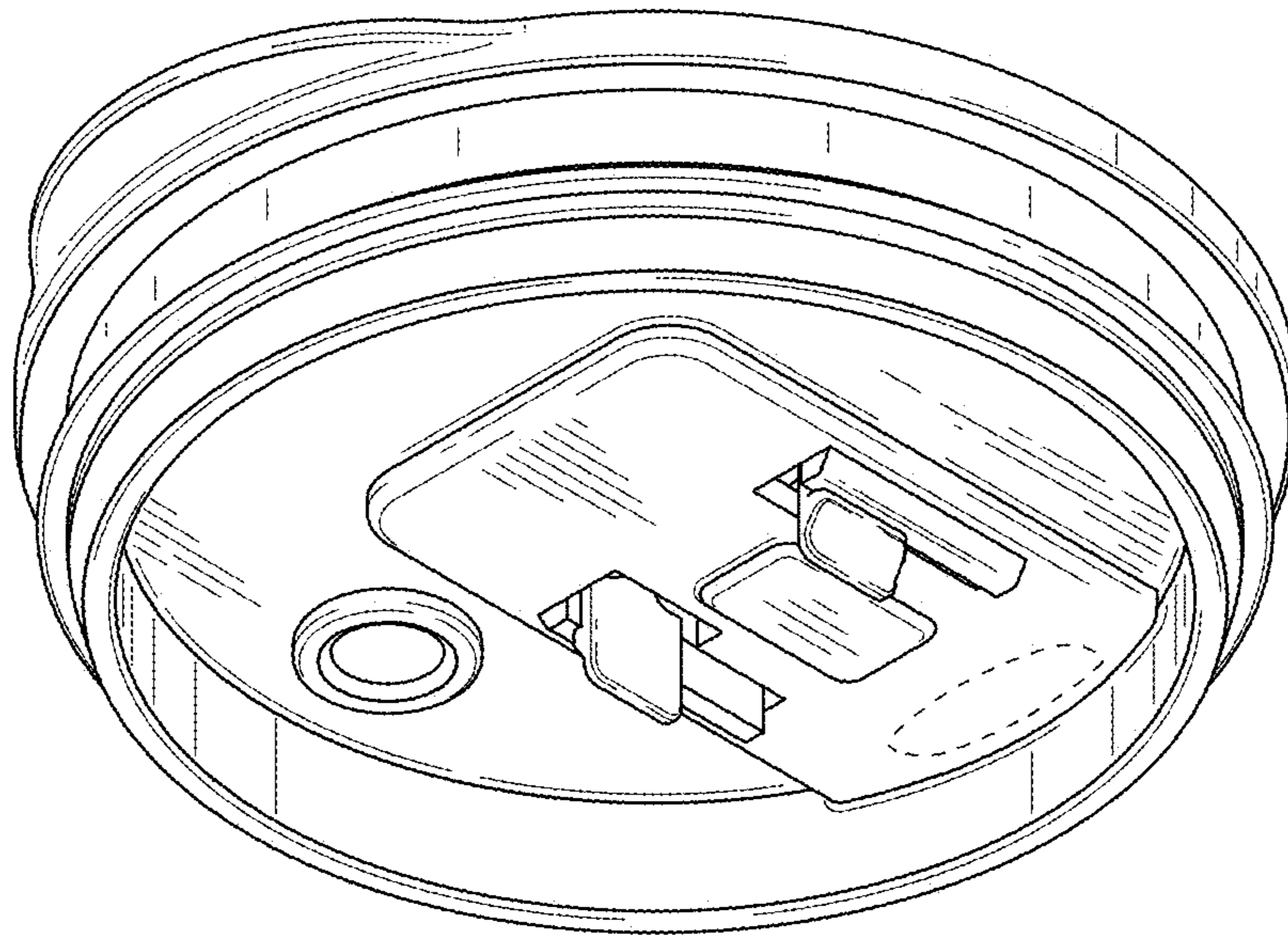


FIG. 10

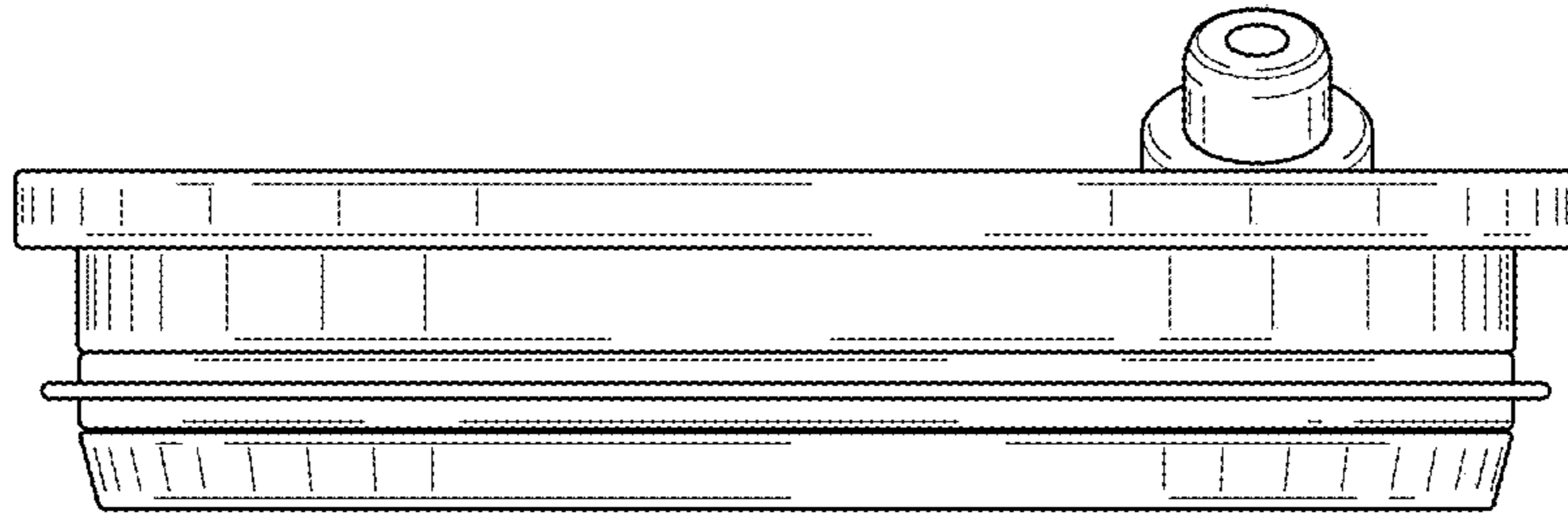


FIG. 11

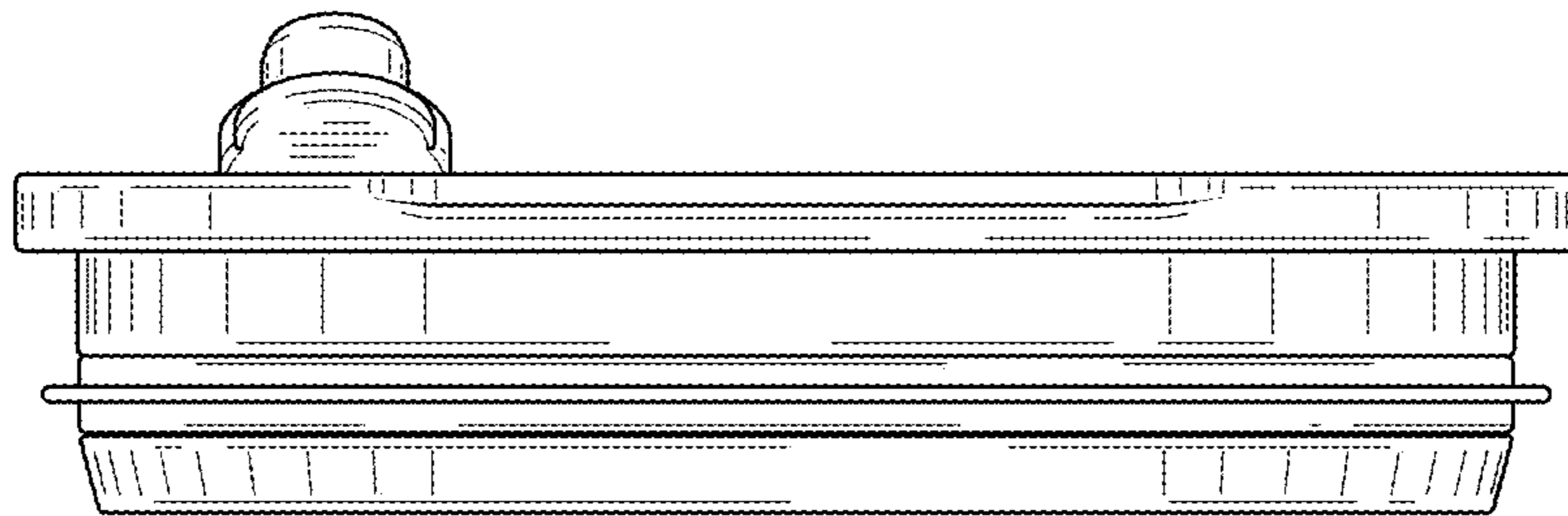


FIG. 12

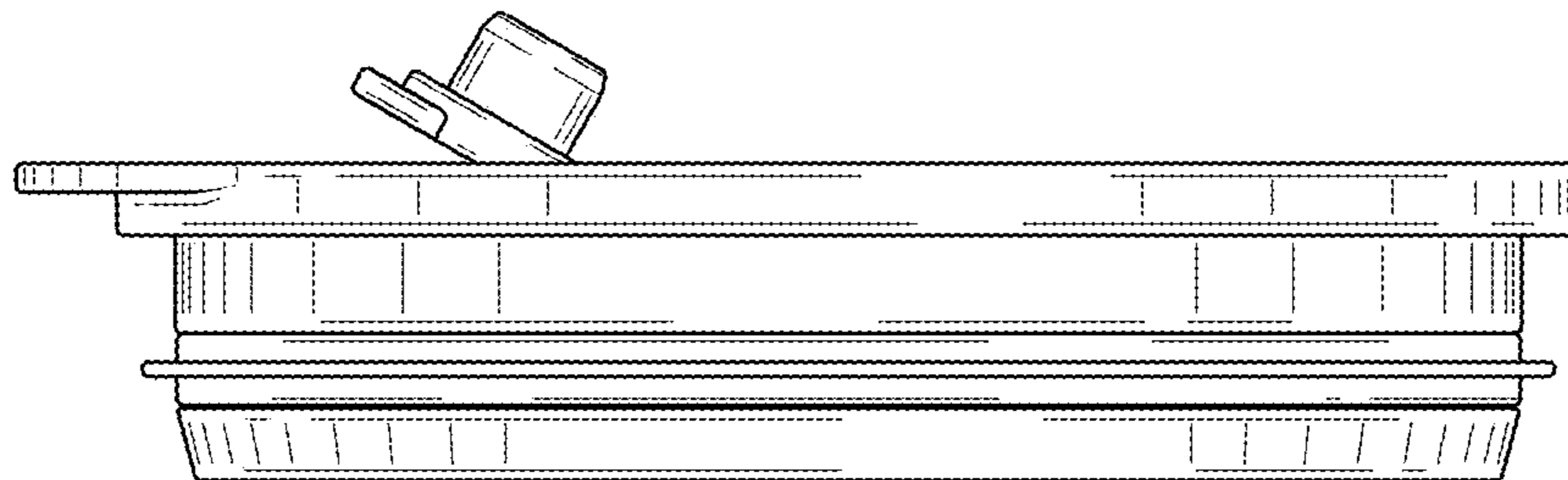


FIG. 13

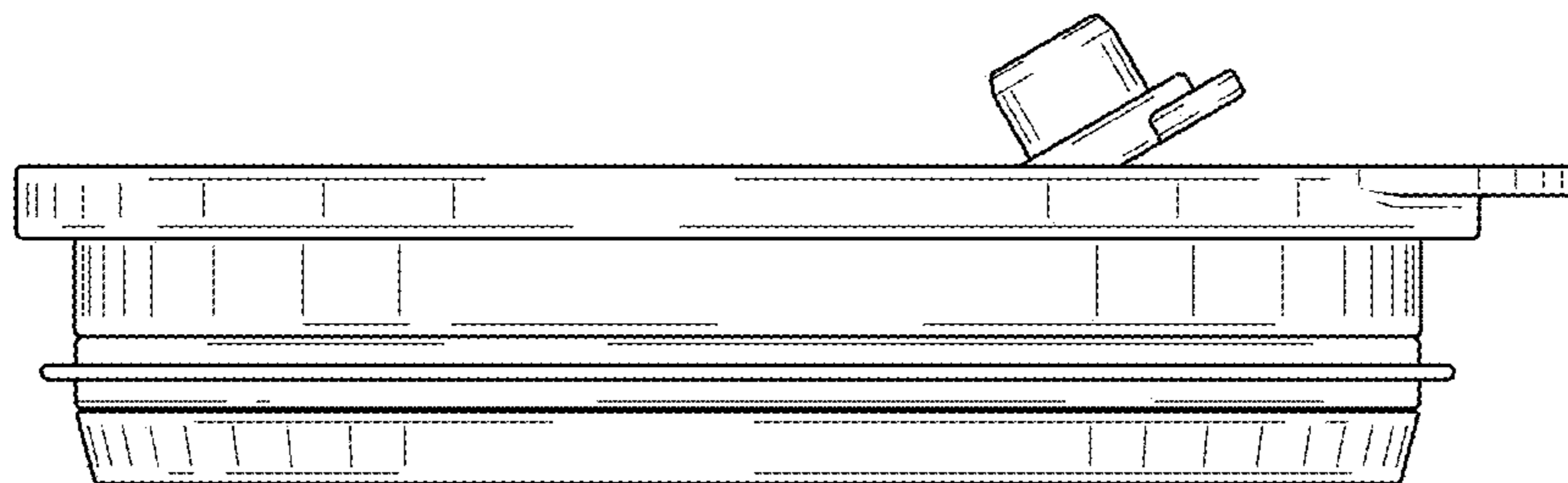


FIG. 14

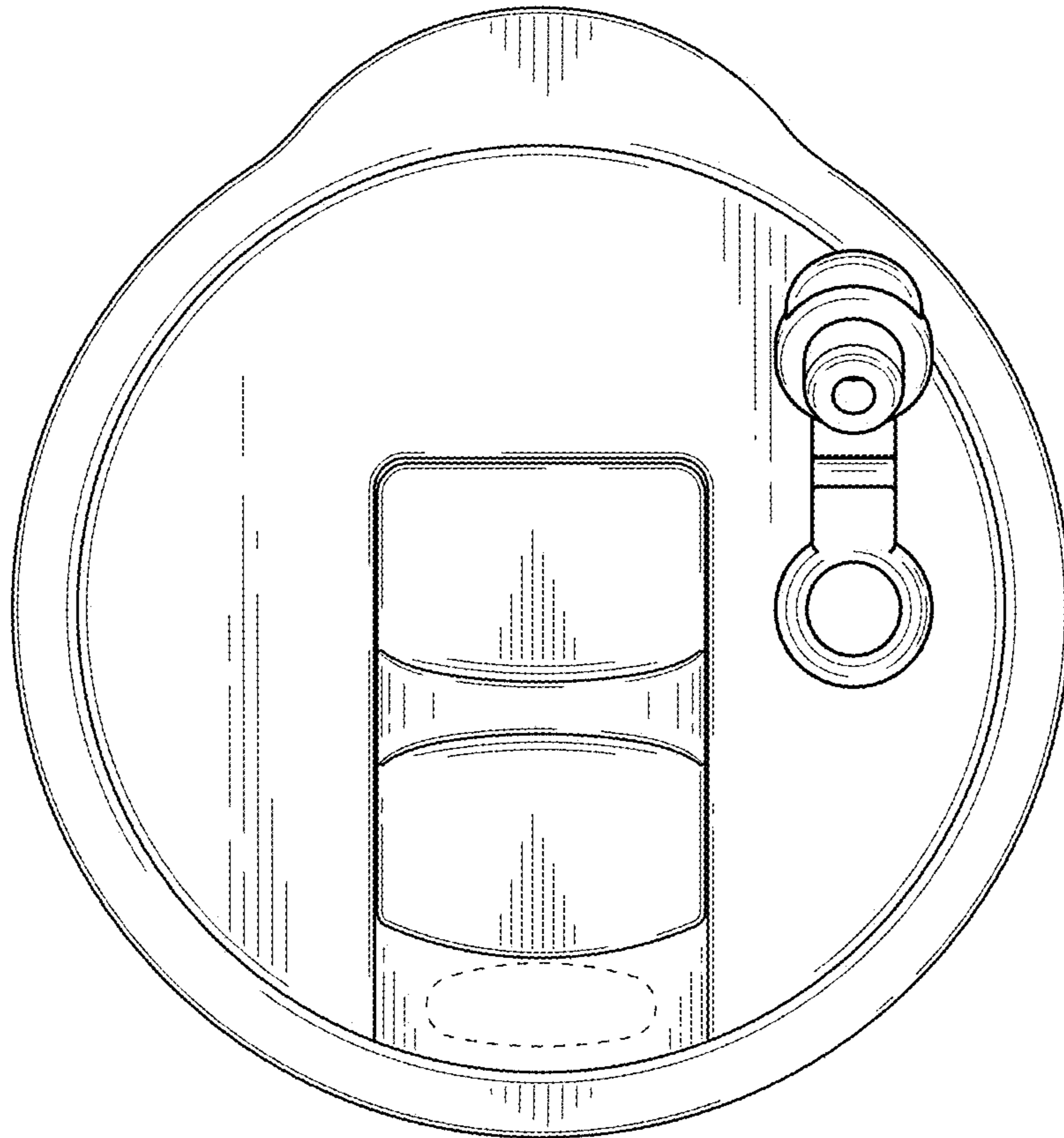


FIG. 15

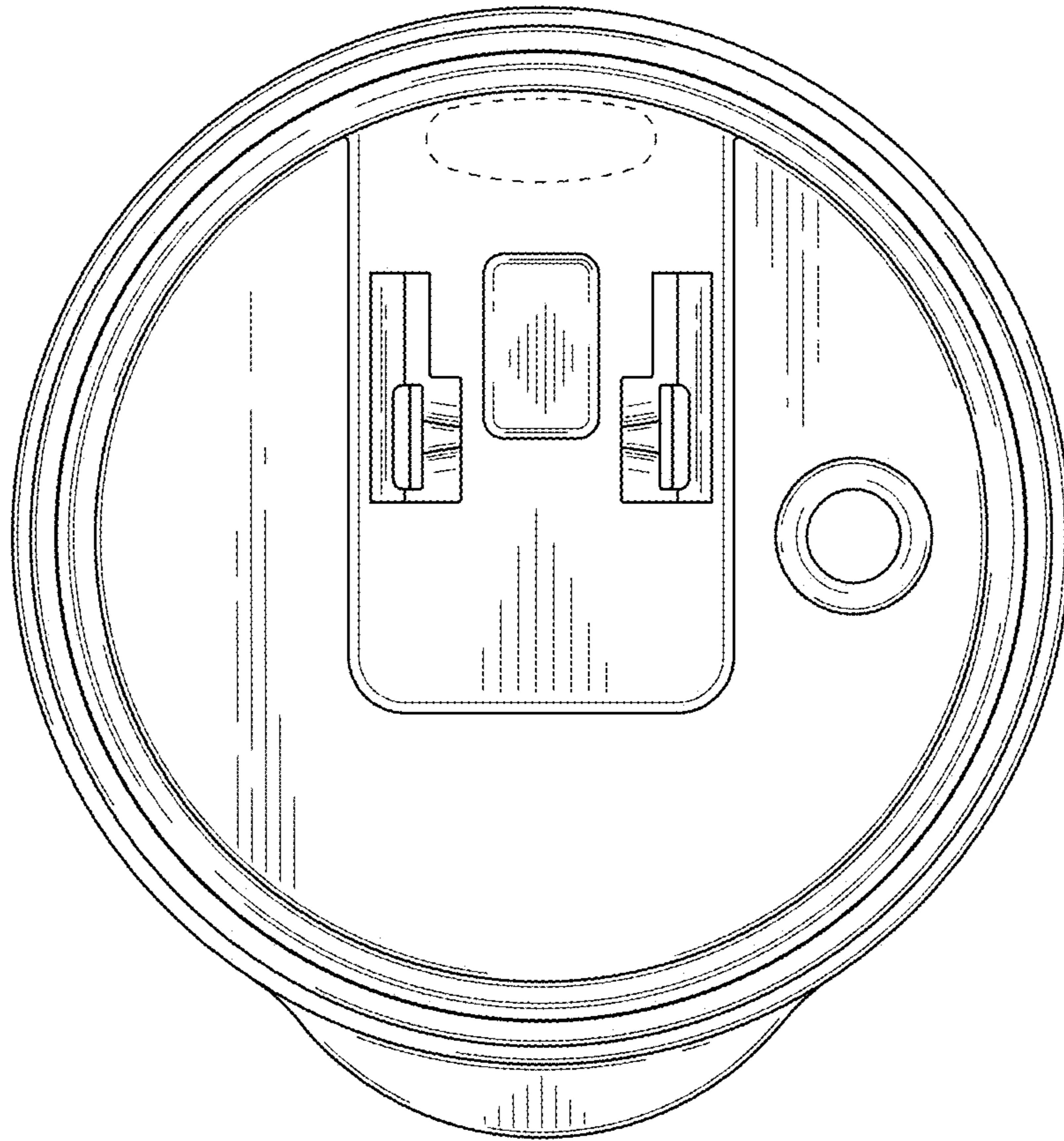


FIG. 16

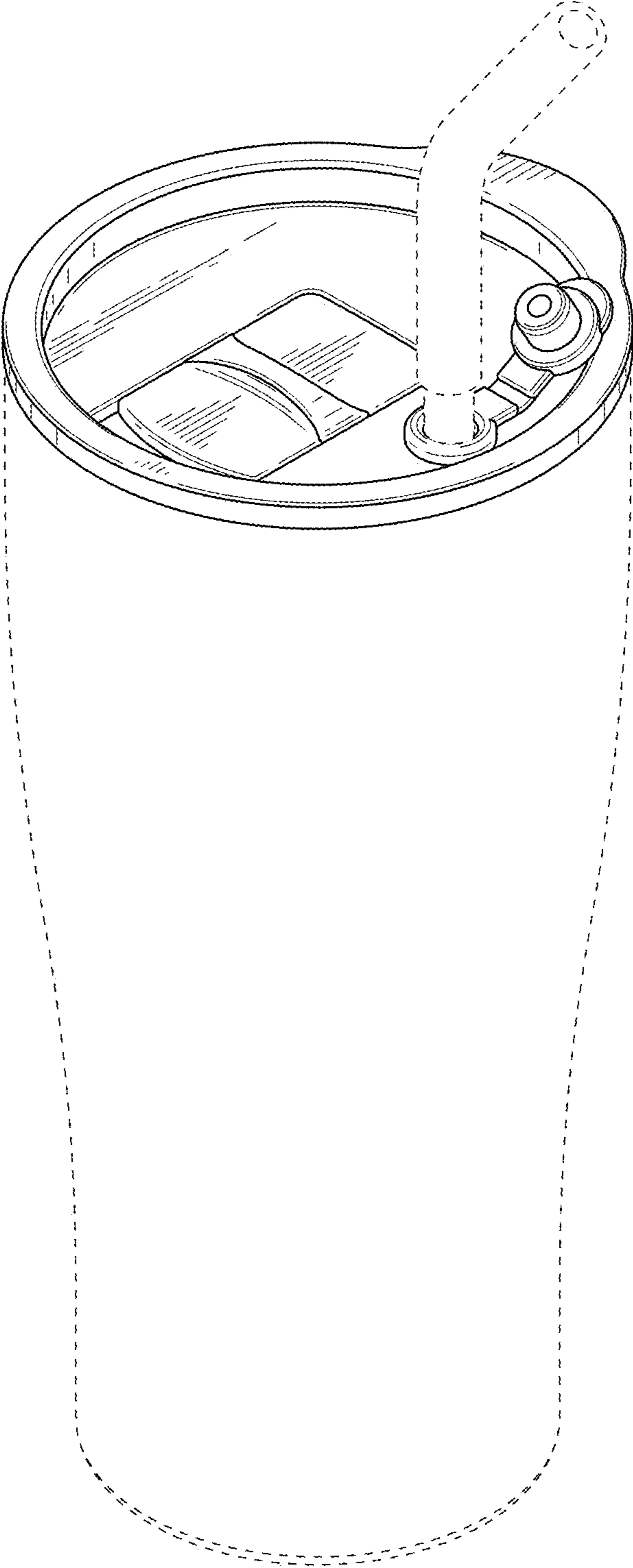


FIG. 17

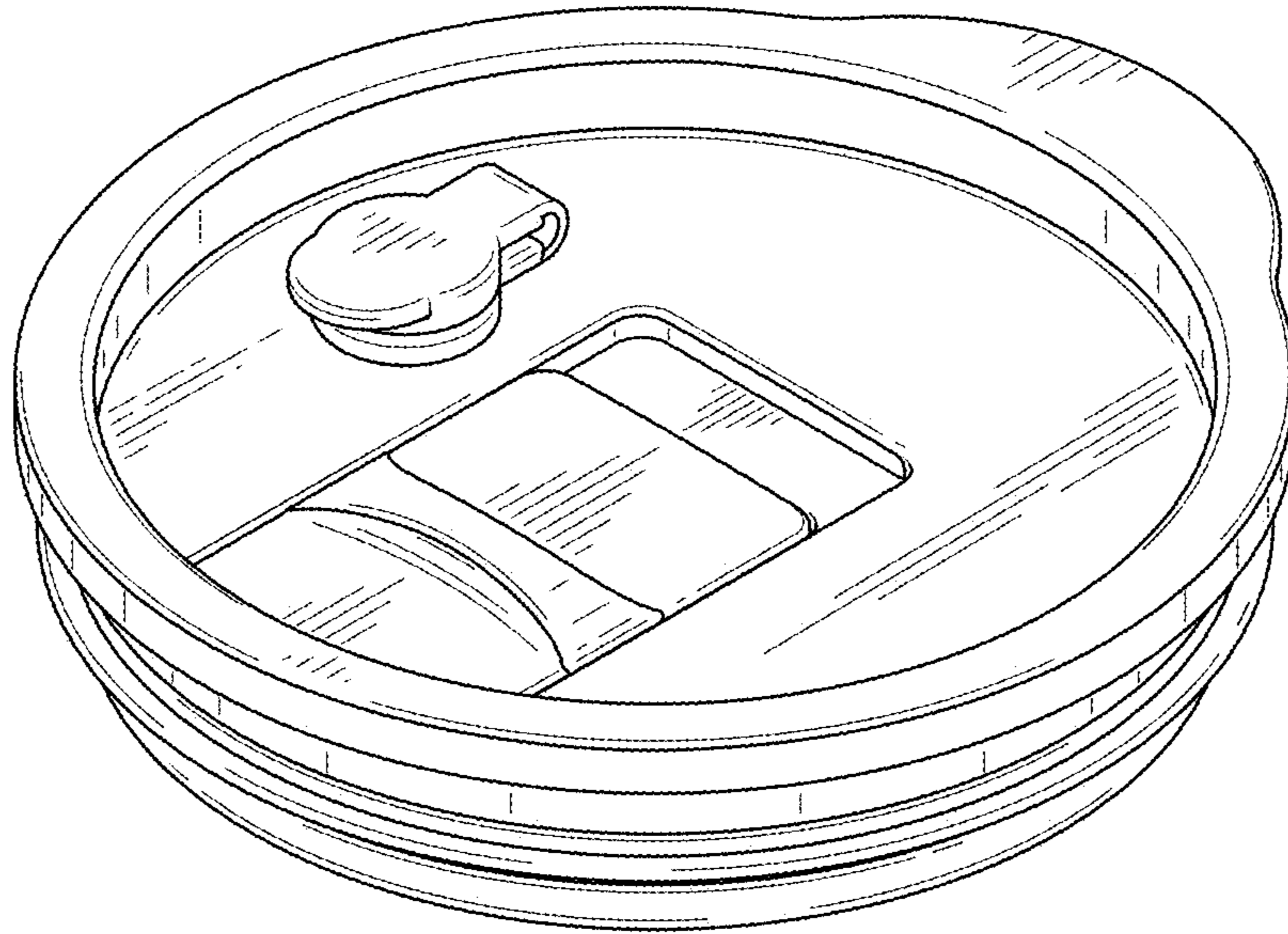


FIG. 18

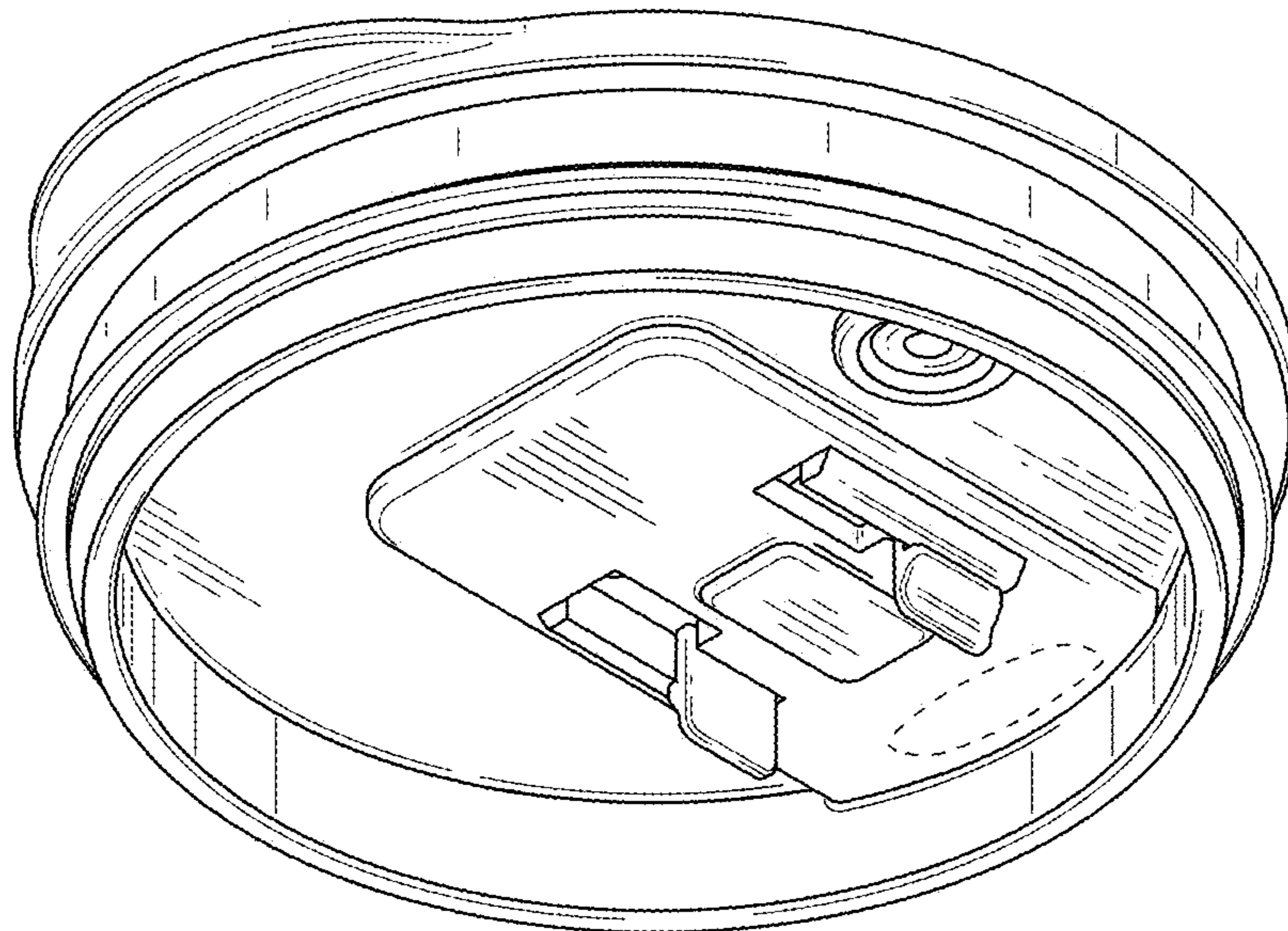


FIG. 19

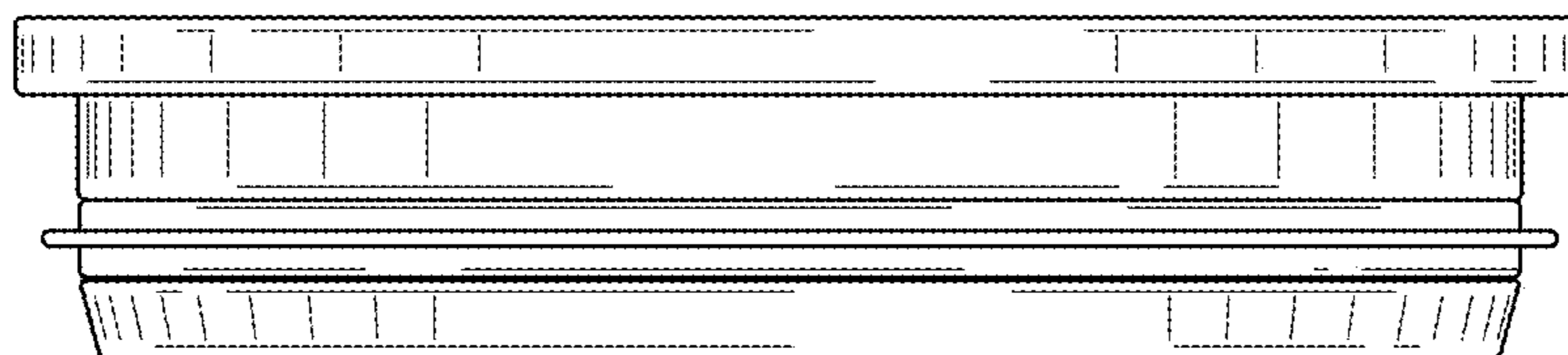


FIG. 20

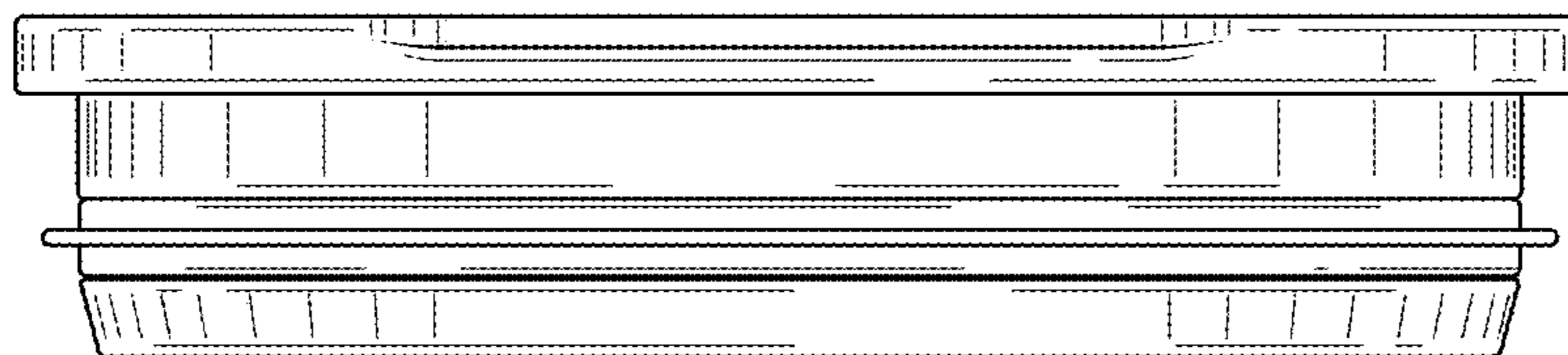


FIG. 21

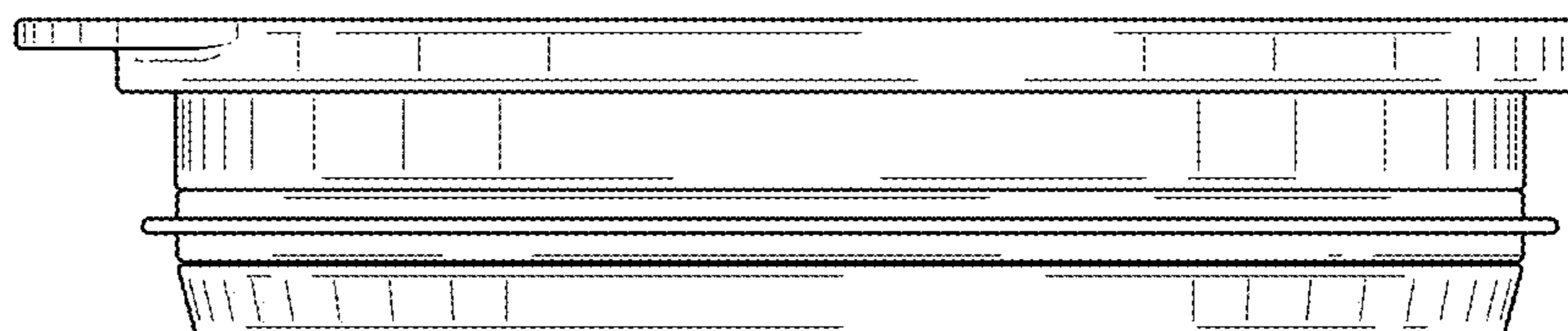


FIG. 22

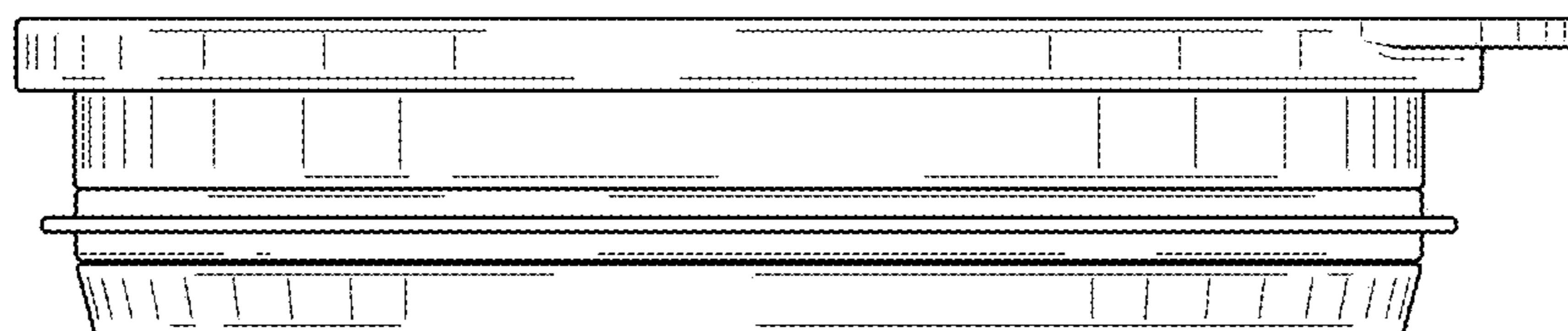


FIG. 23

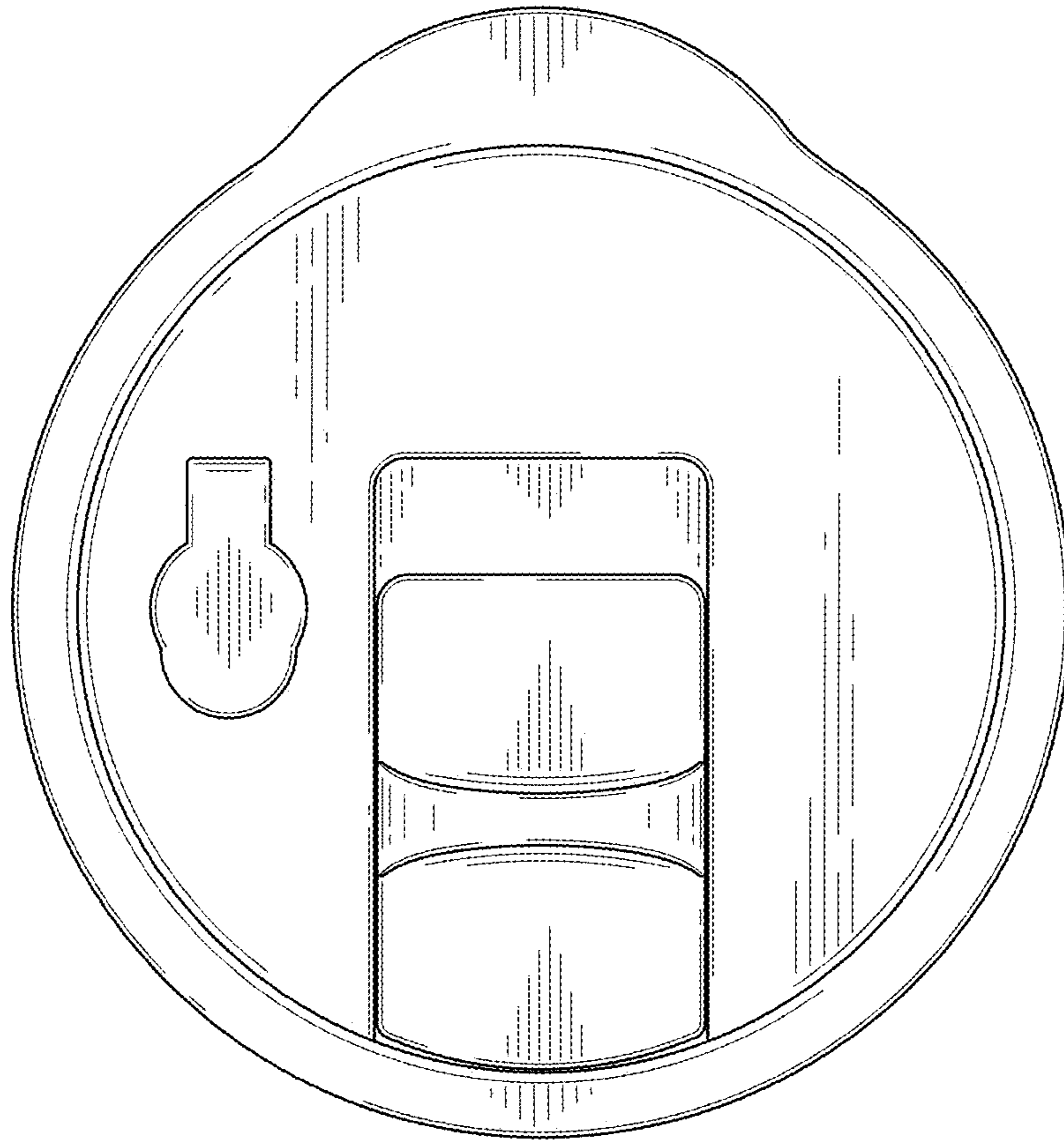


FIG. 24

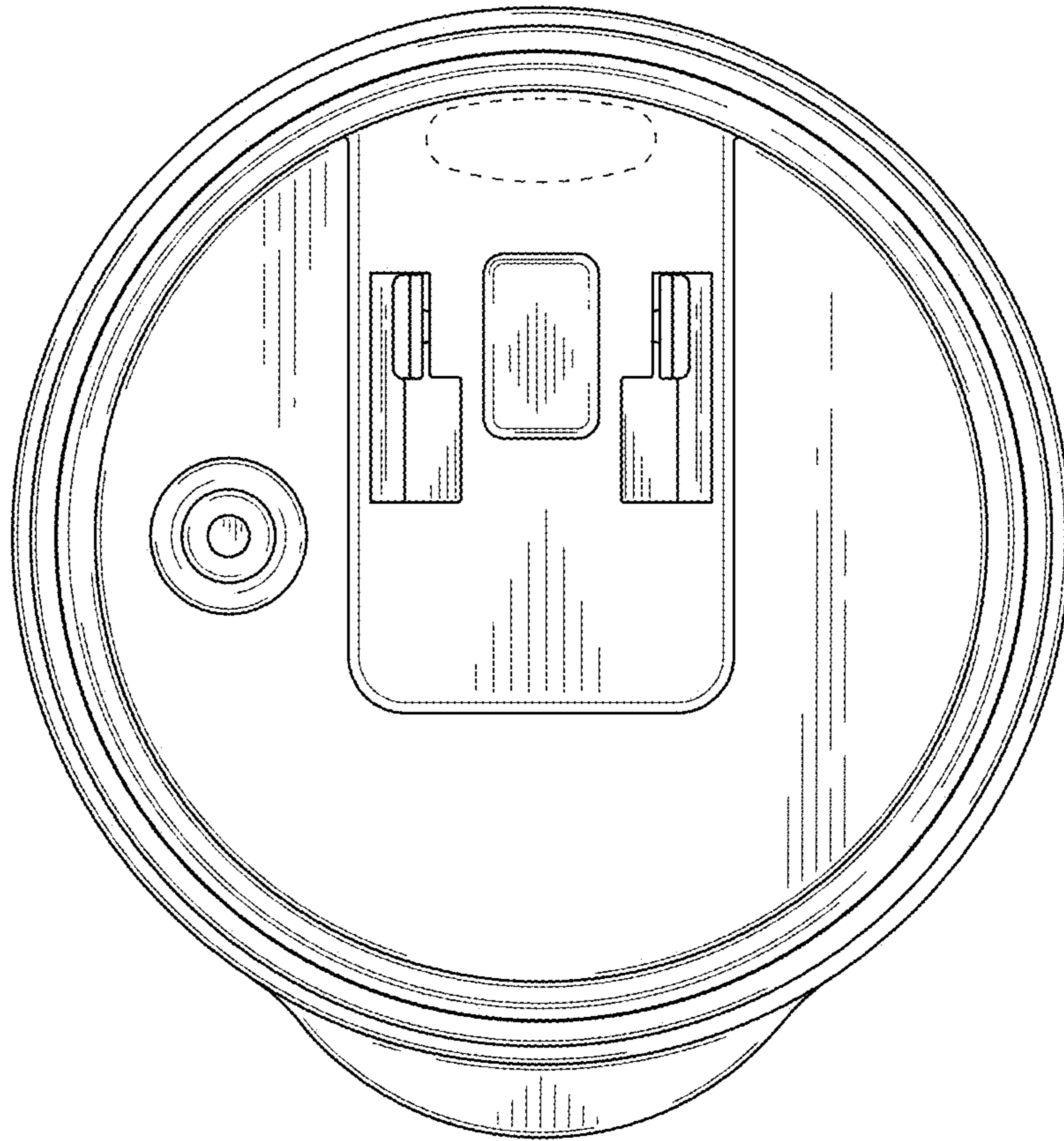


FIG. 25

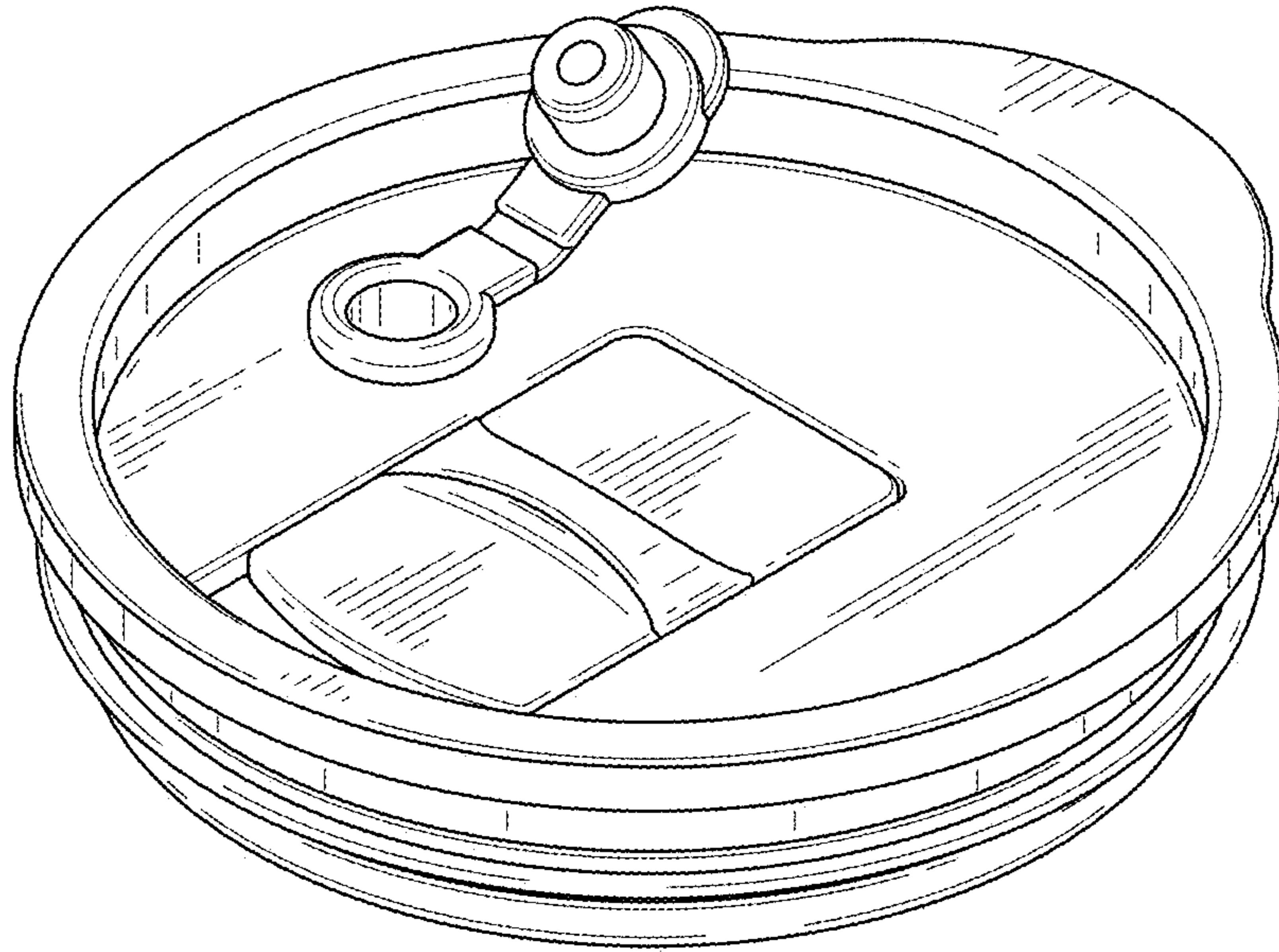


FIG. 26

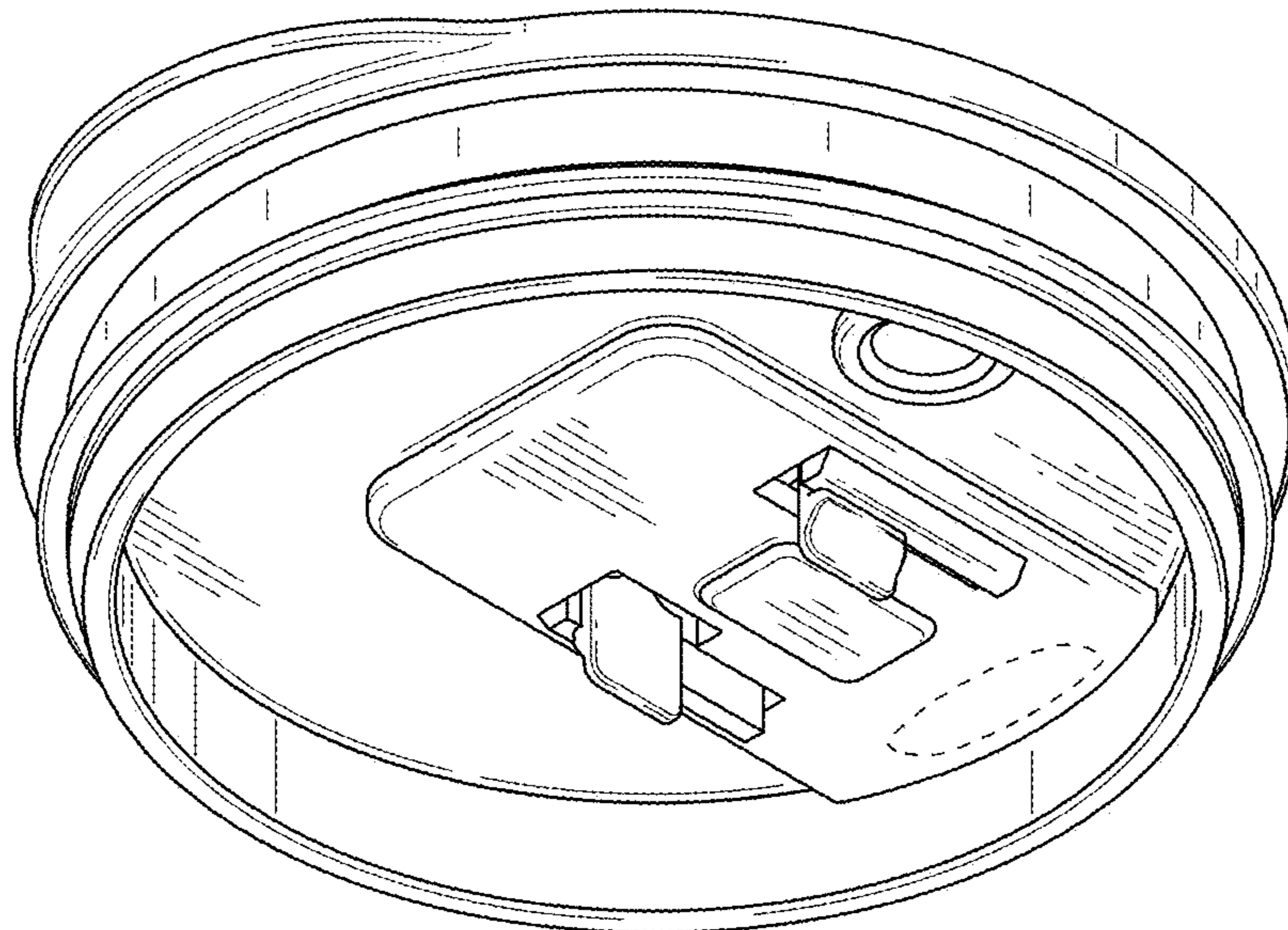


FIG. 27

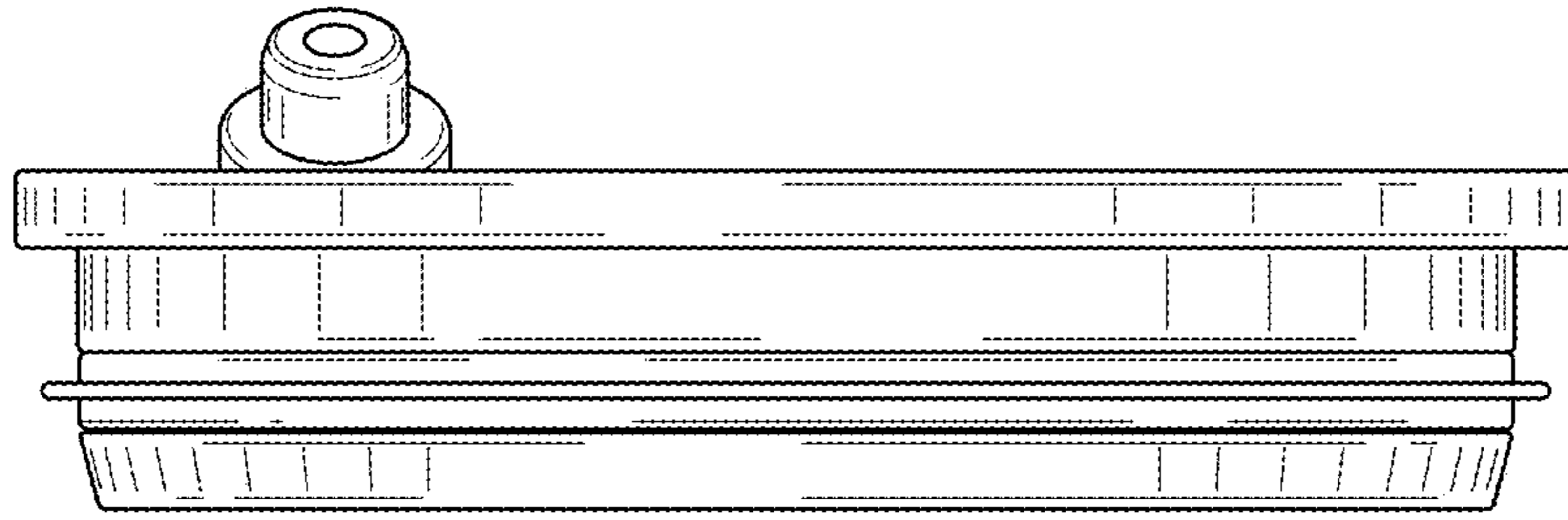


FIG. 28

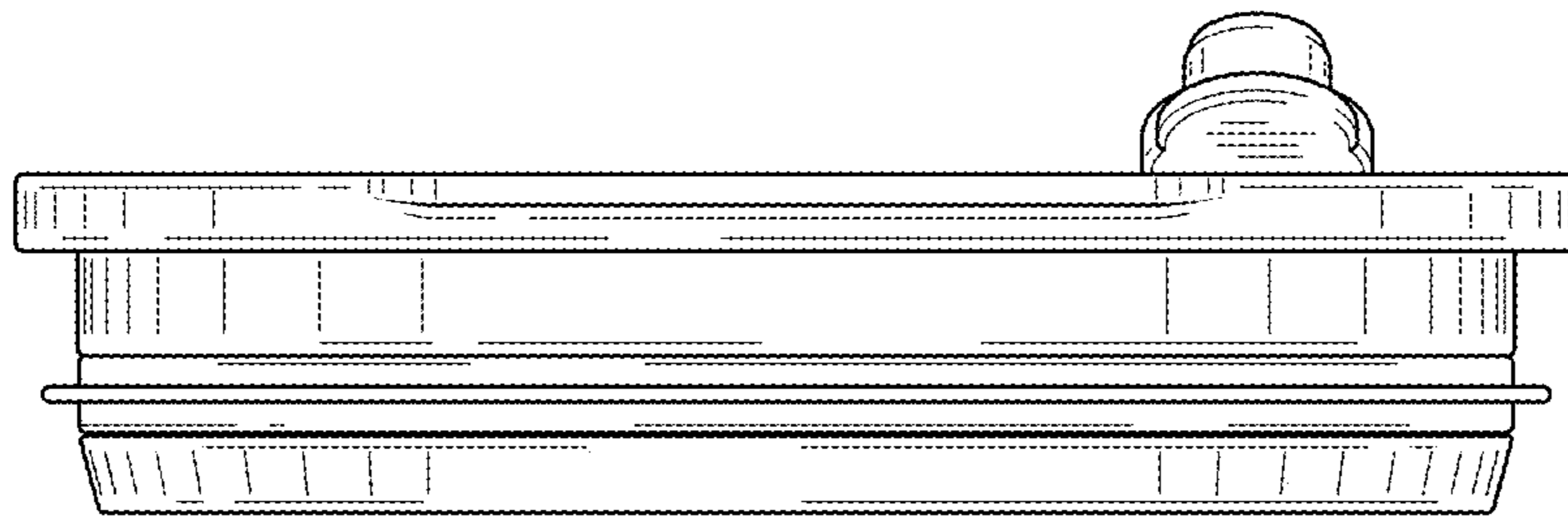


FIG. 29

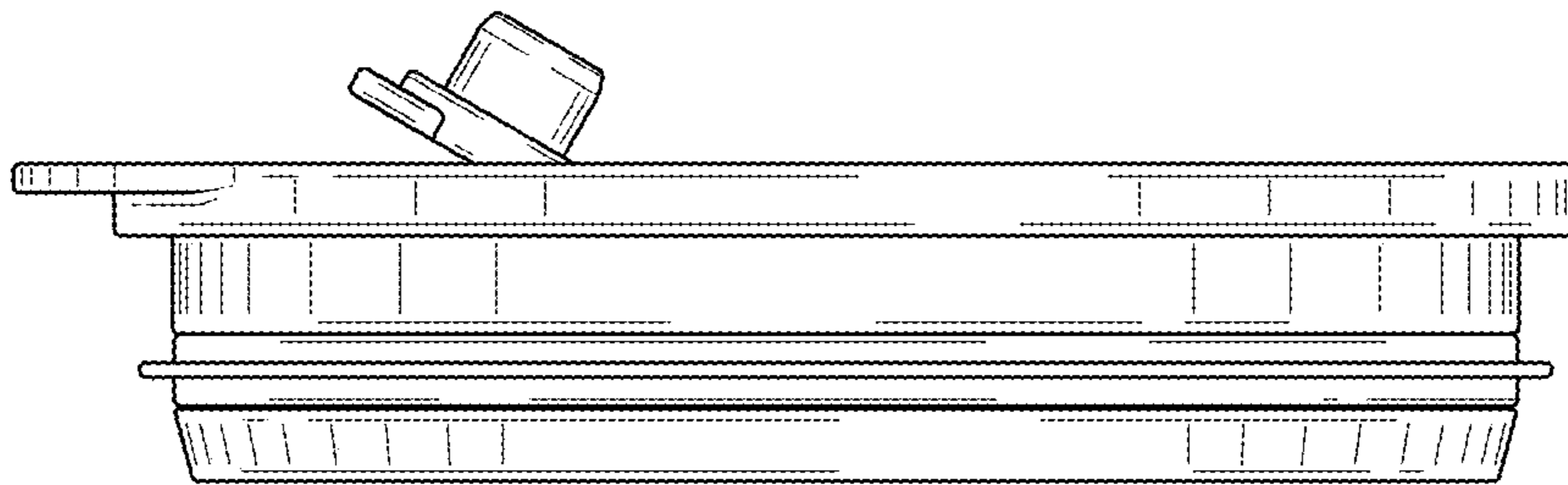


FIG. 30

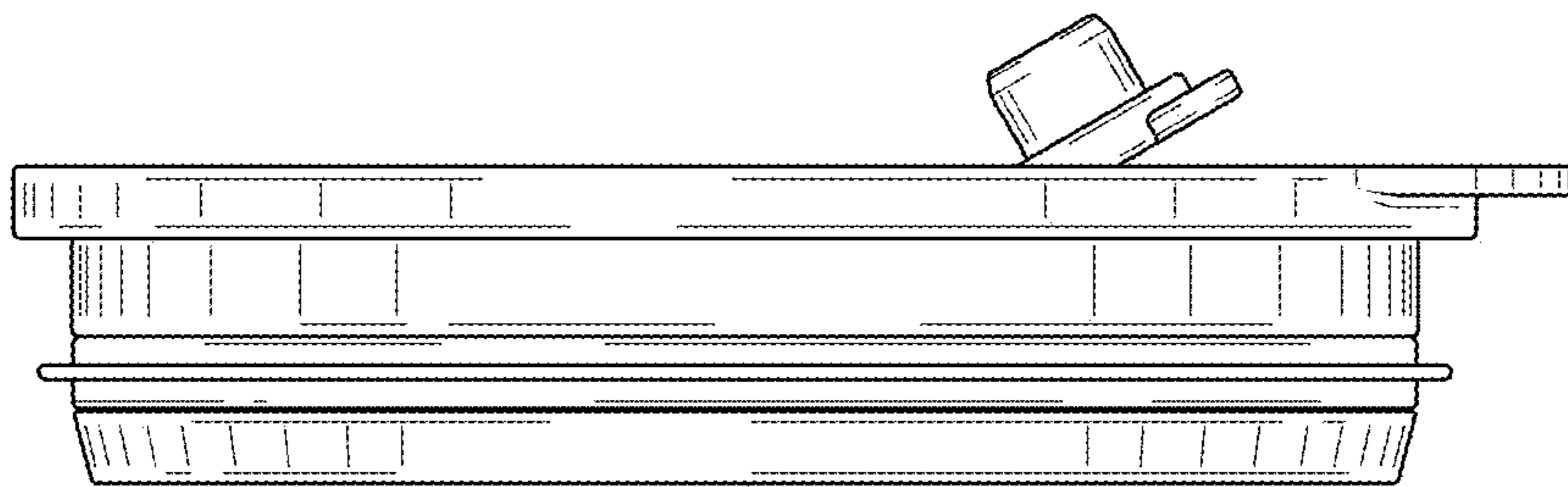


FIG. 31

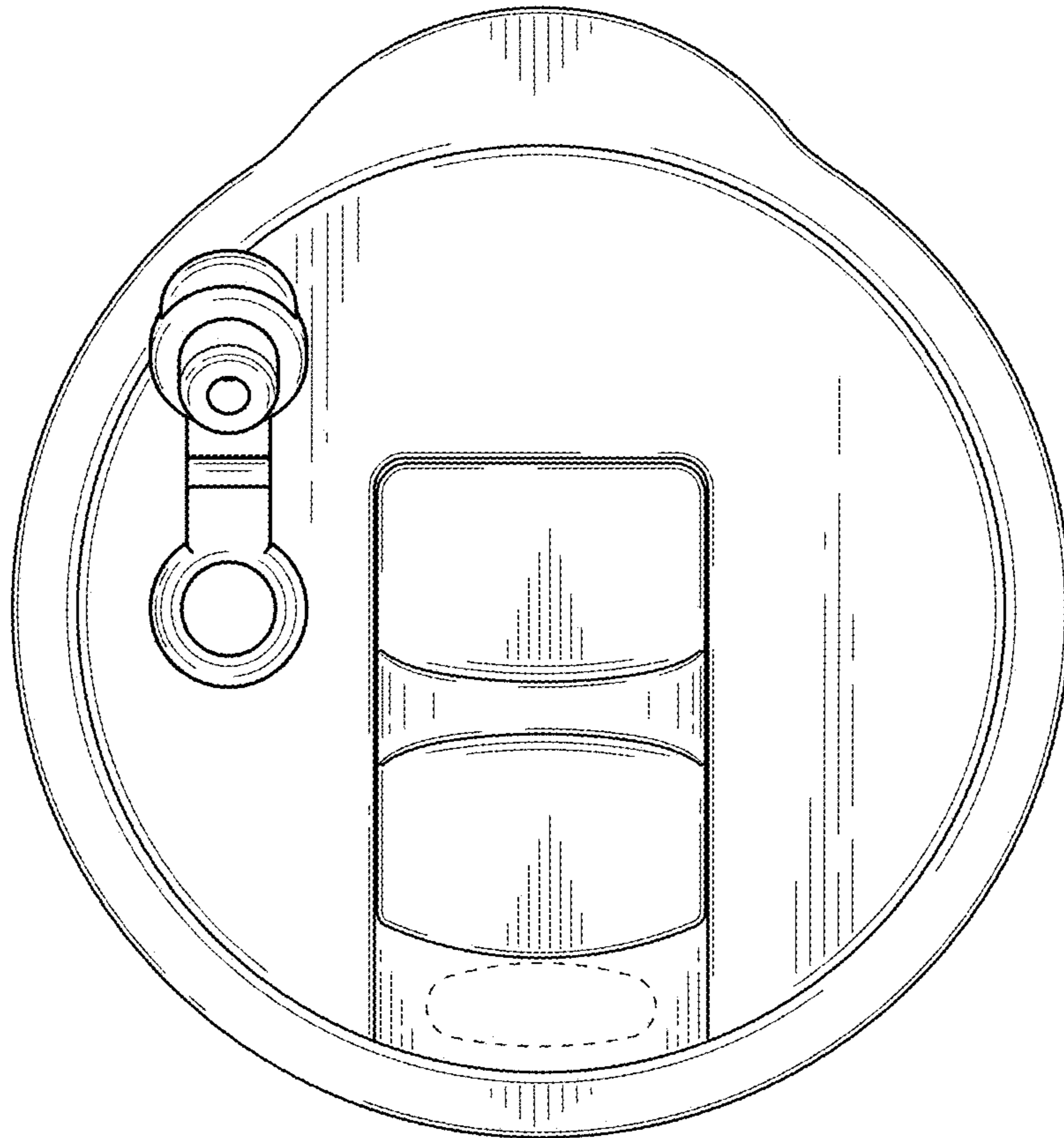


FIG. 32

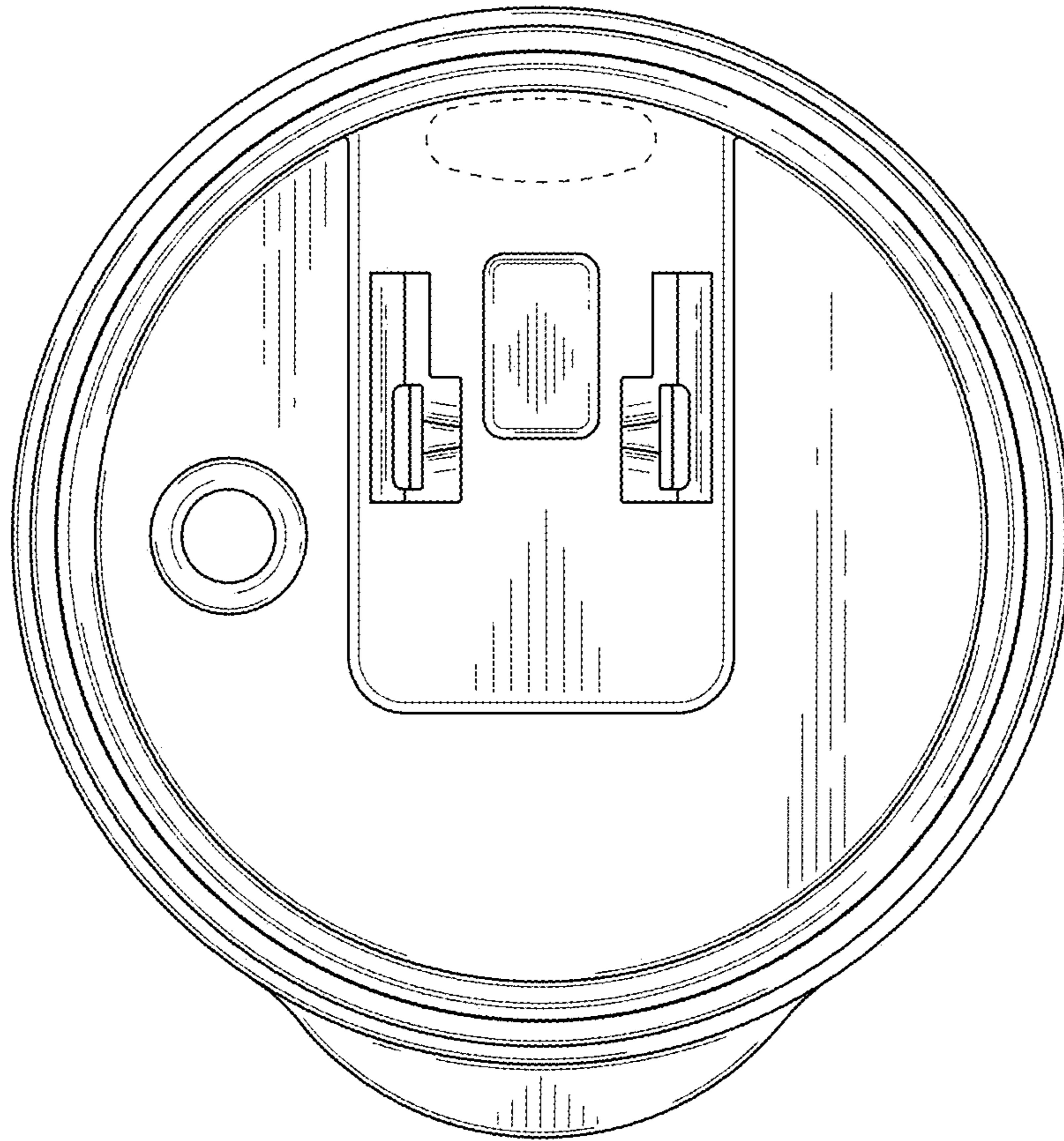


FIG. 33

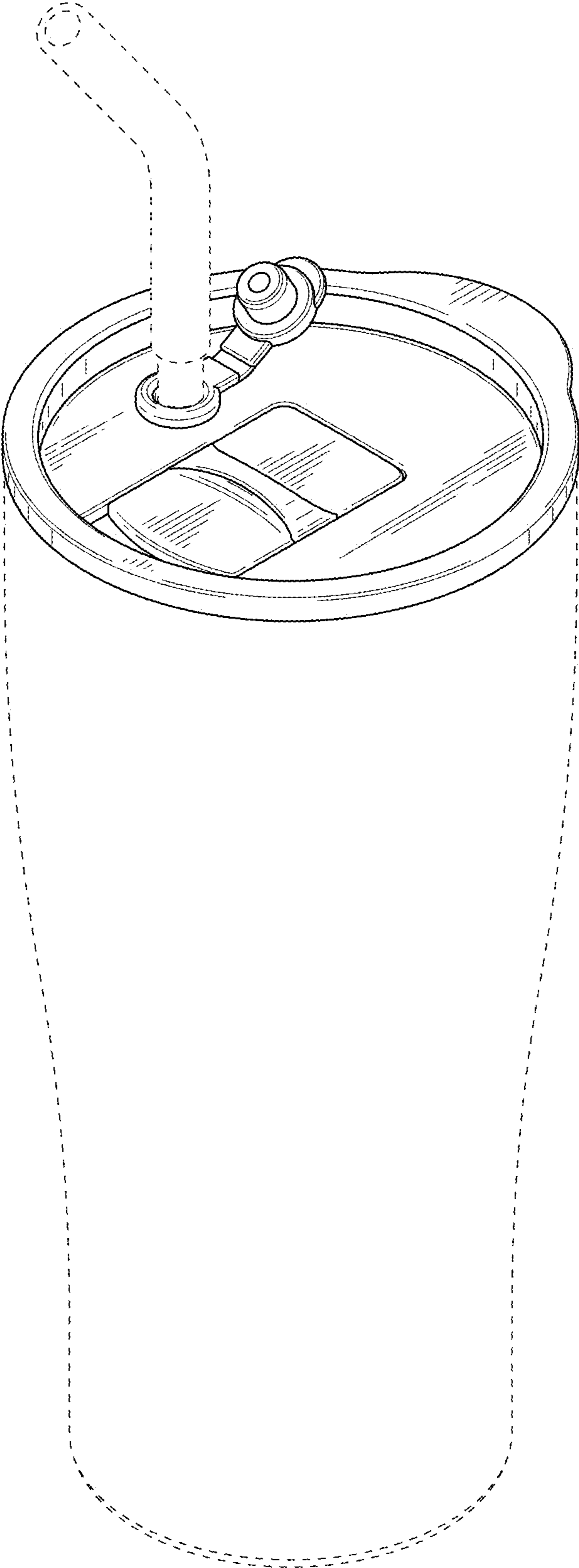


FIG. 34

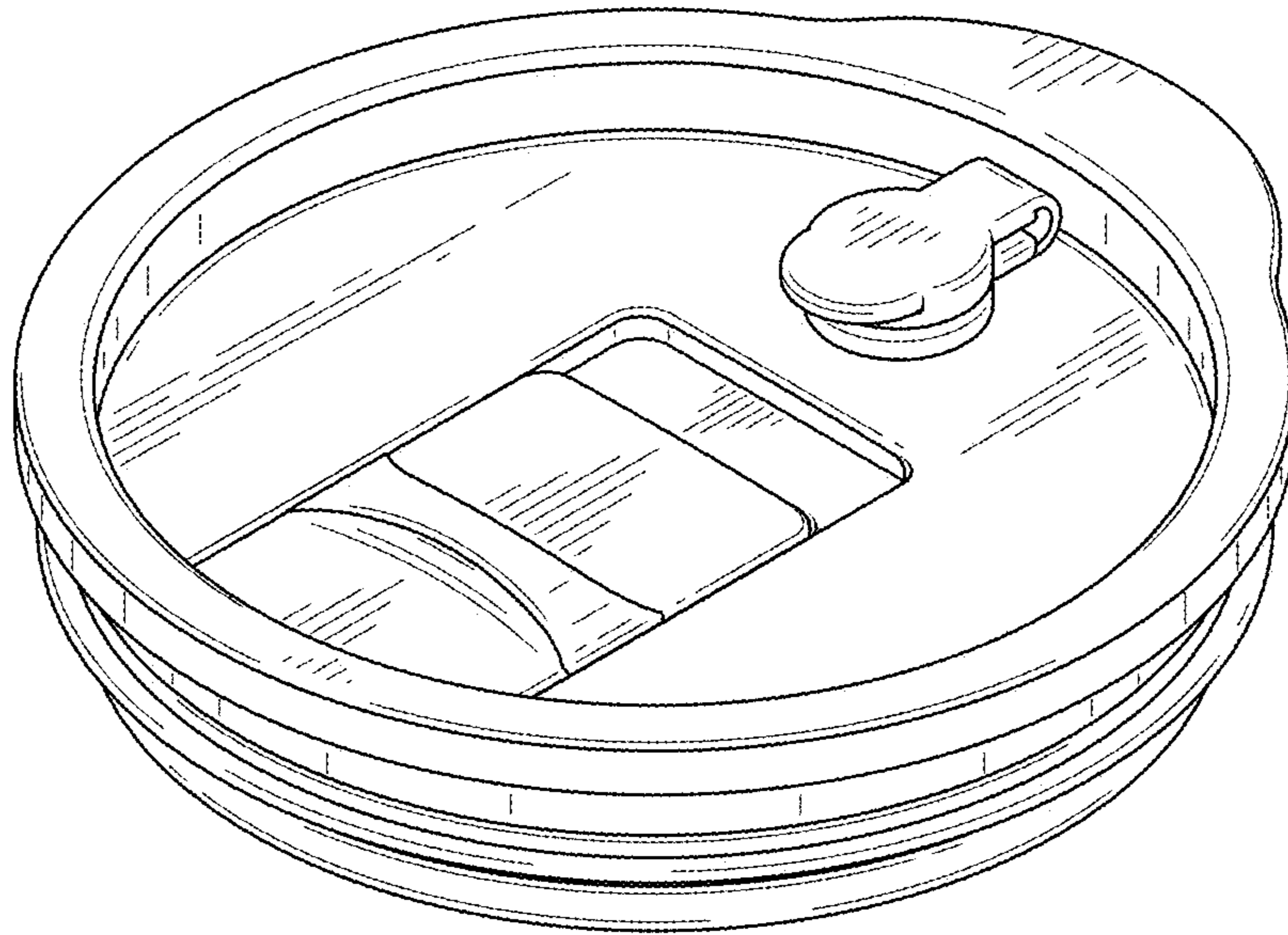


FIG. 35

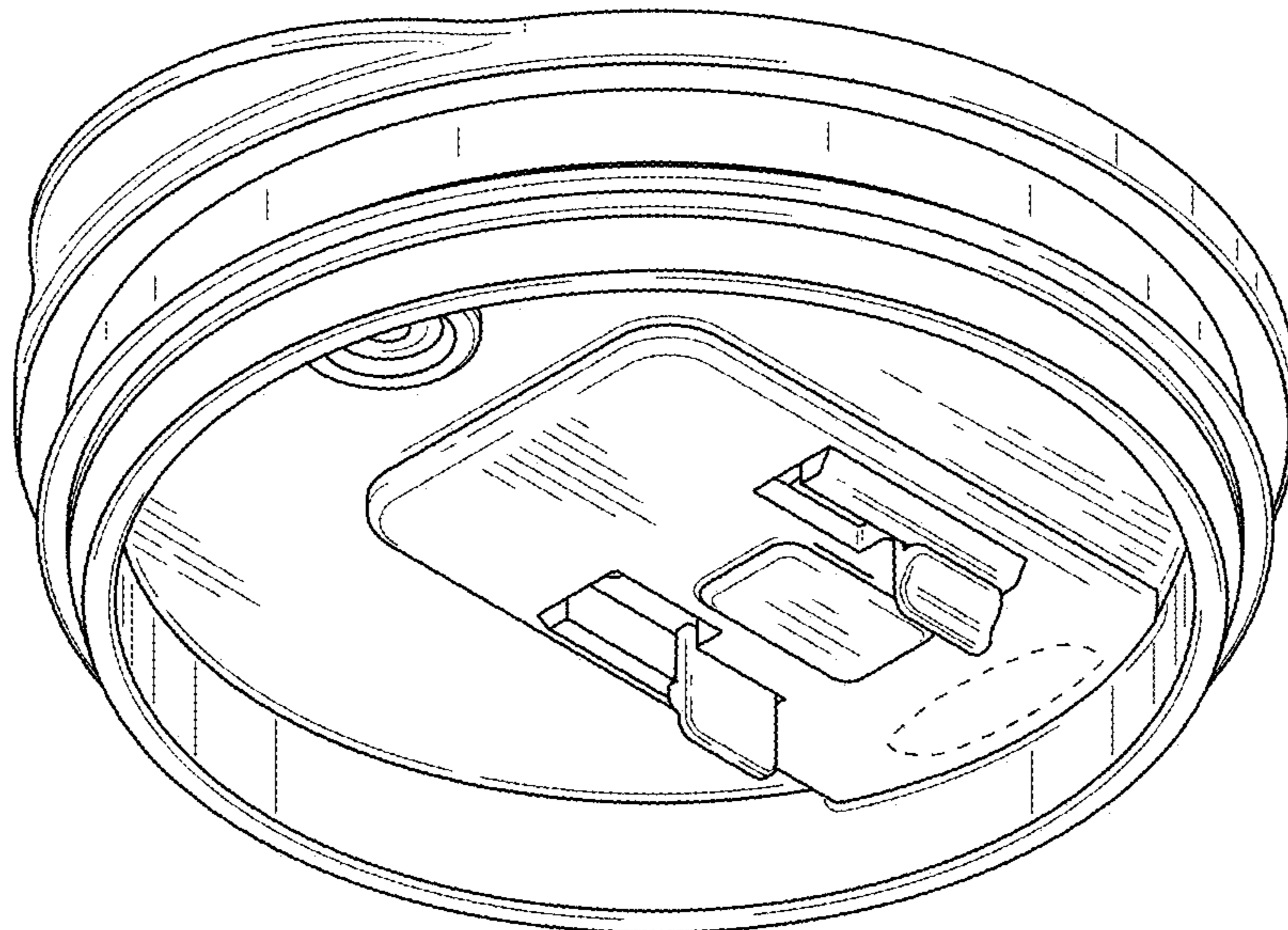


FIG. 36

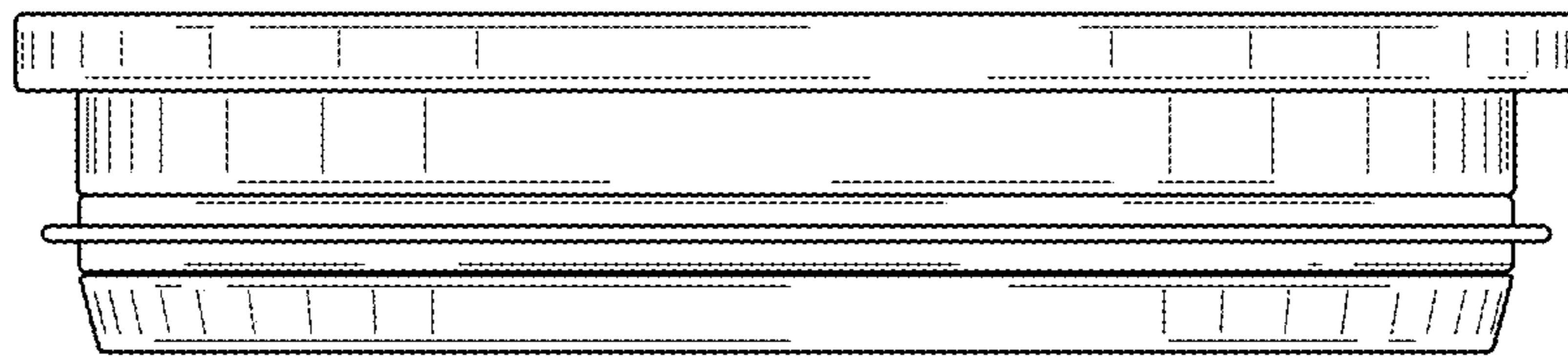


FIG. 37

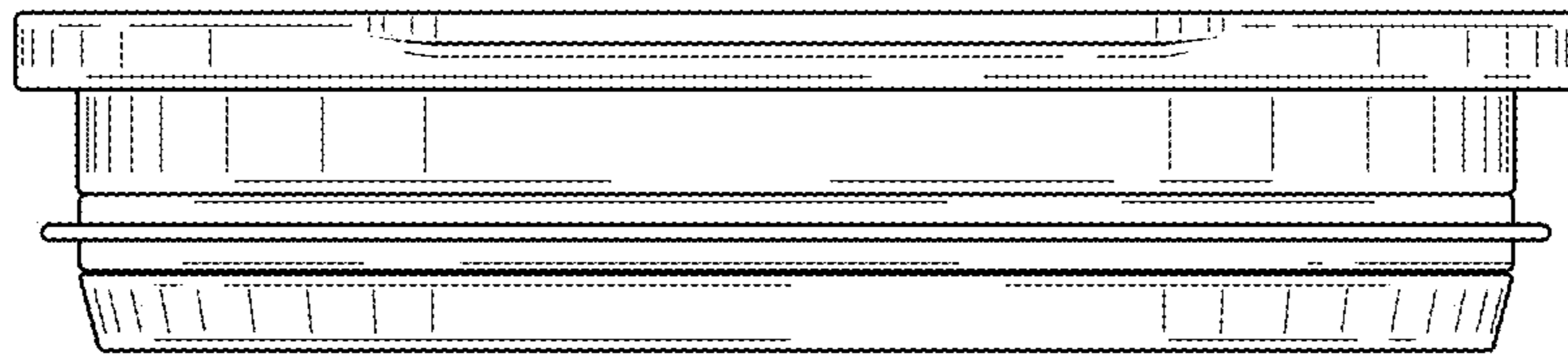


FIG. 38

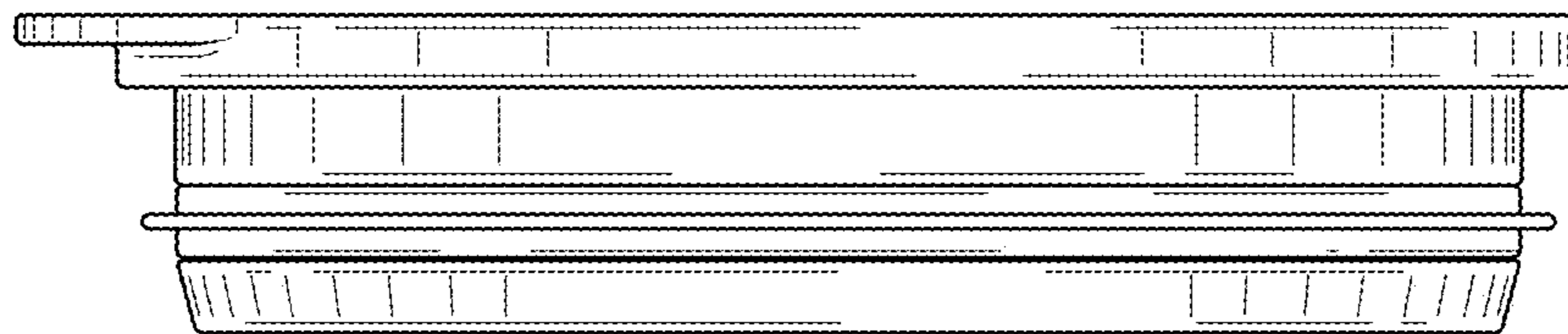


FIG. 39

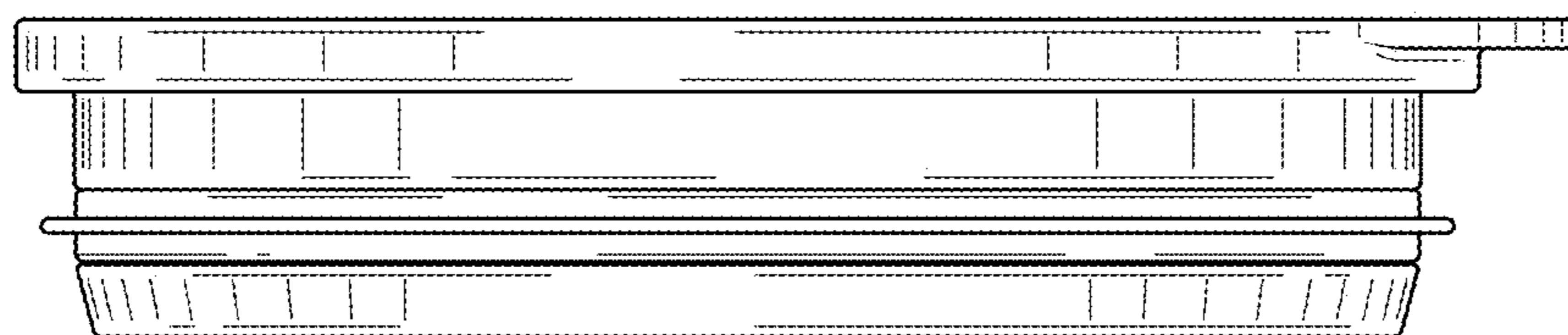


FIG. 40

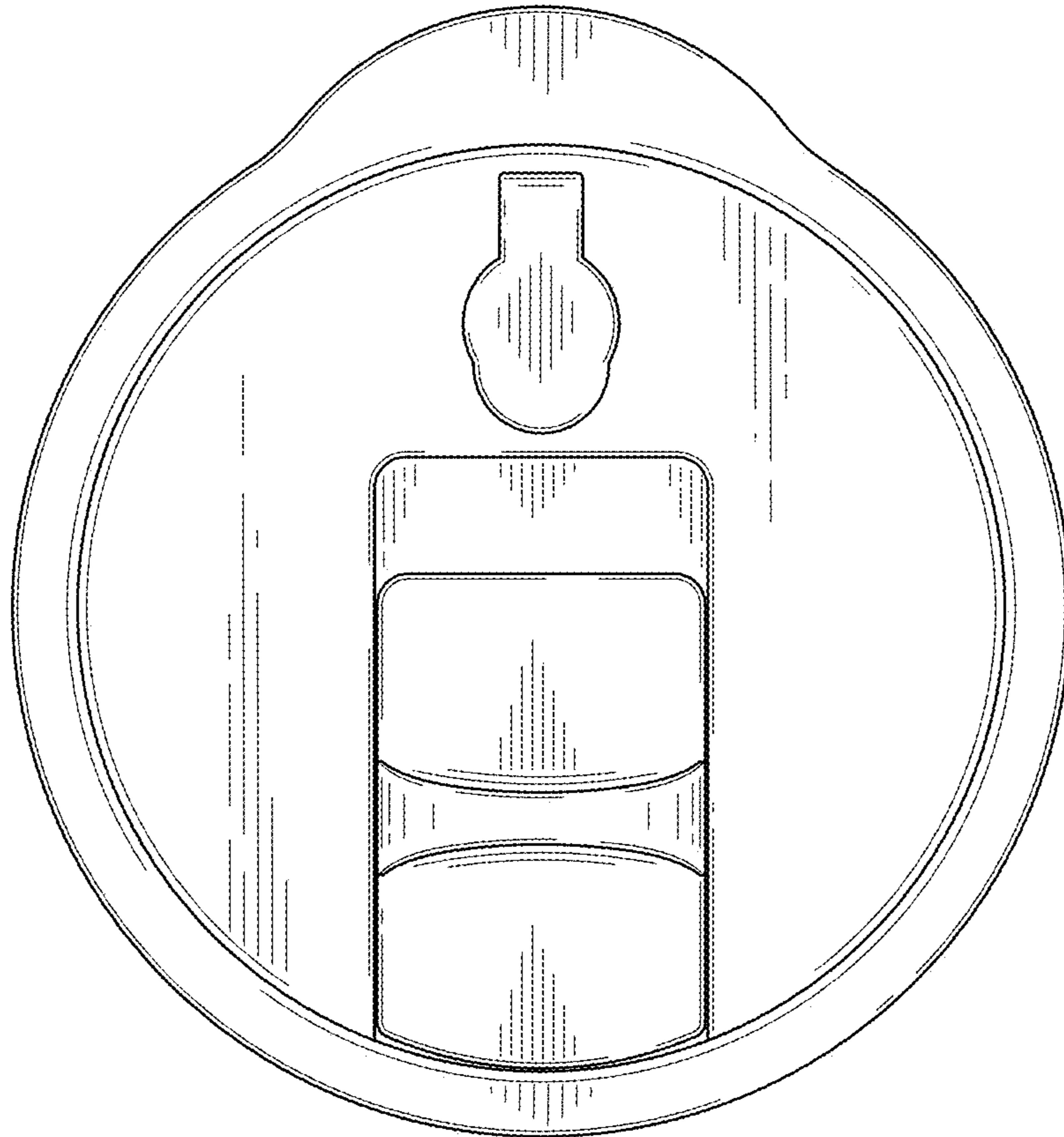


FIG. 41

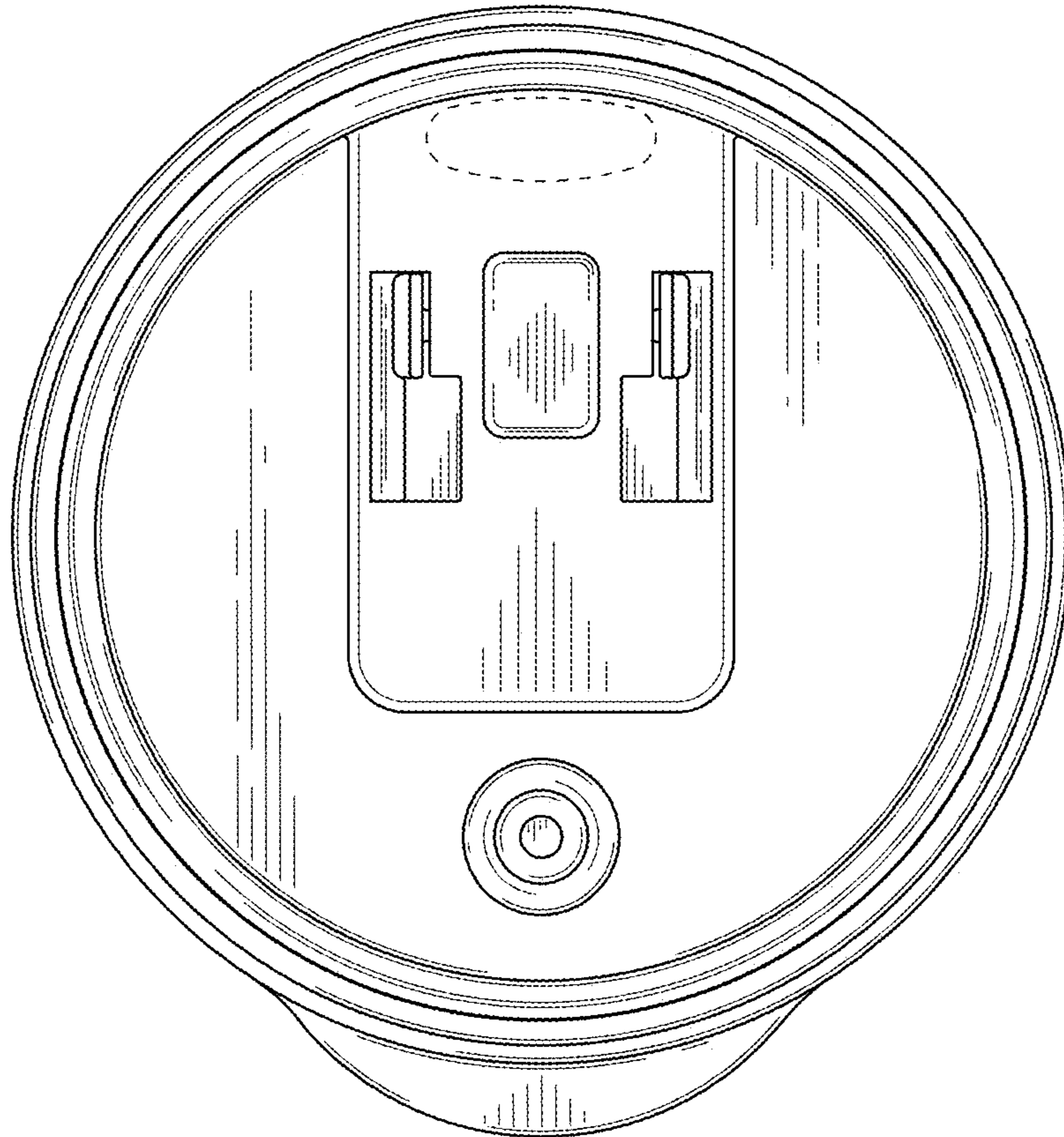


FIG. 42

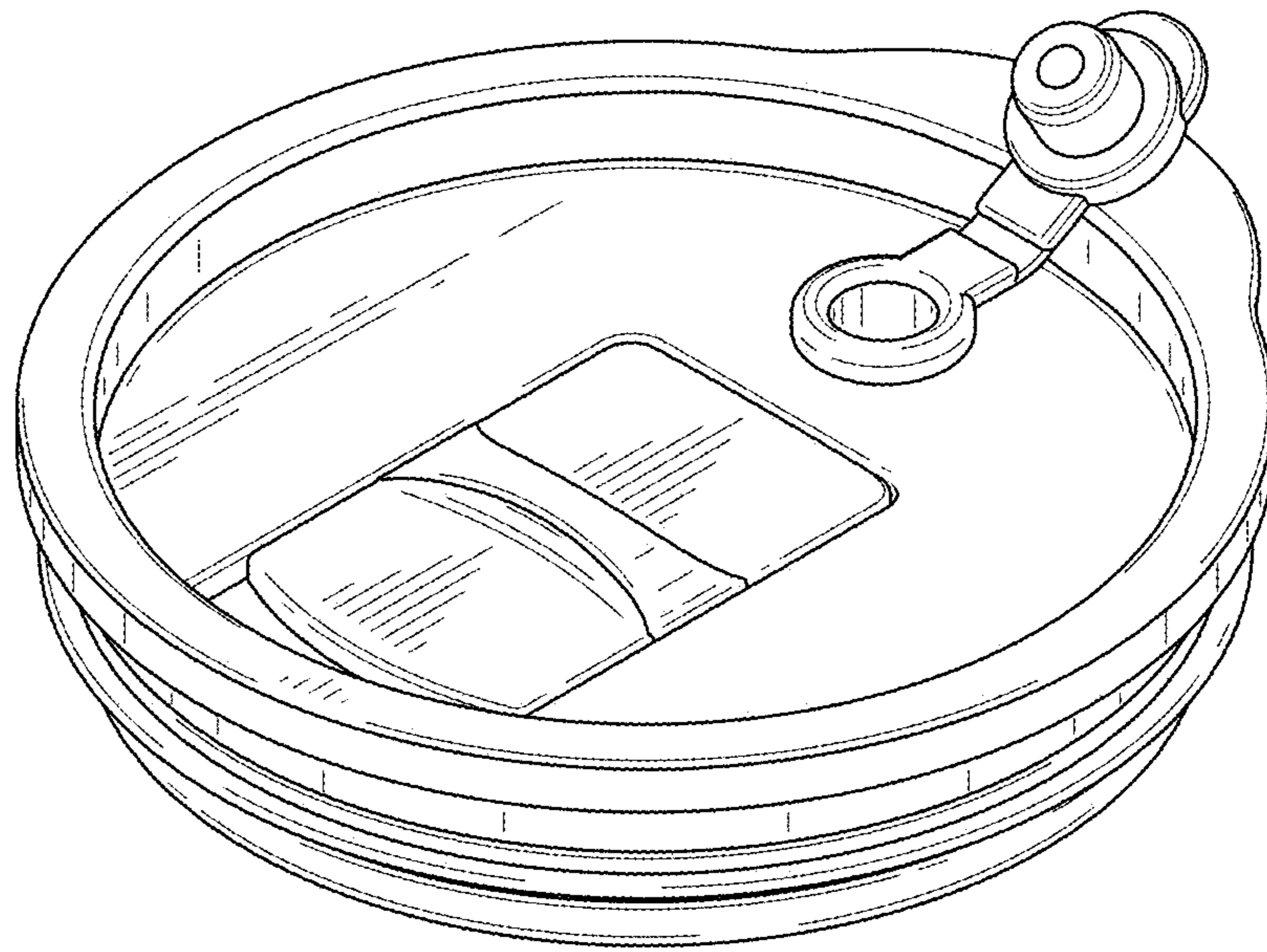


FIG. 43

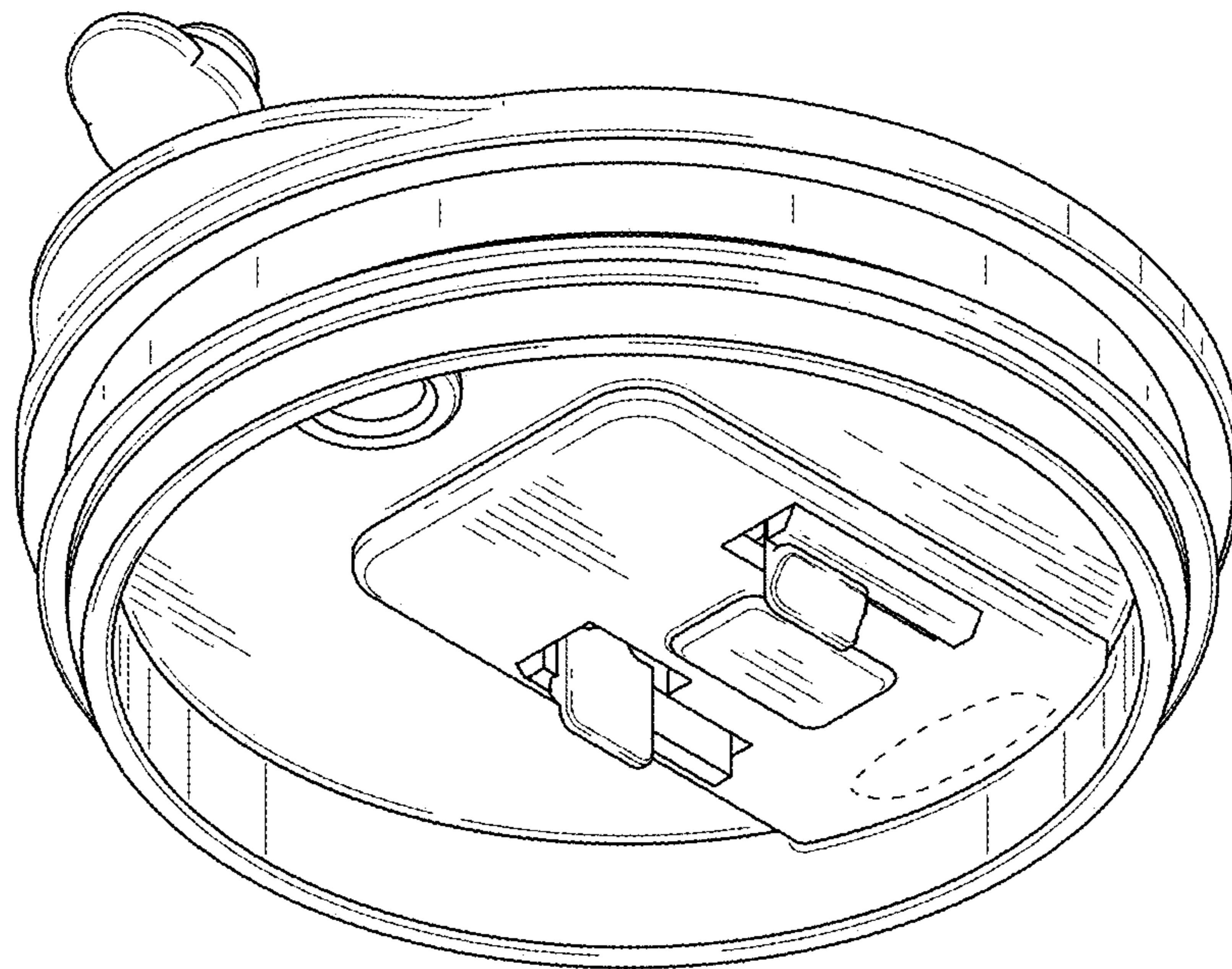


FIG. 44

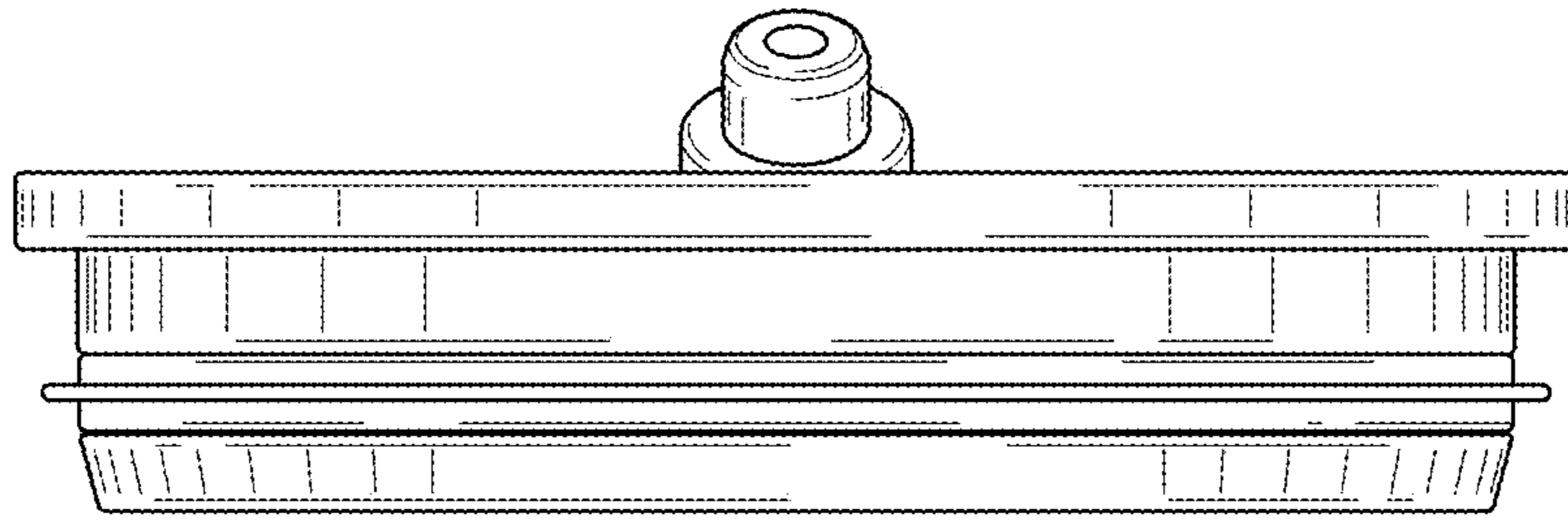


FIG. 45

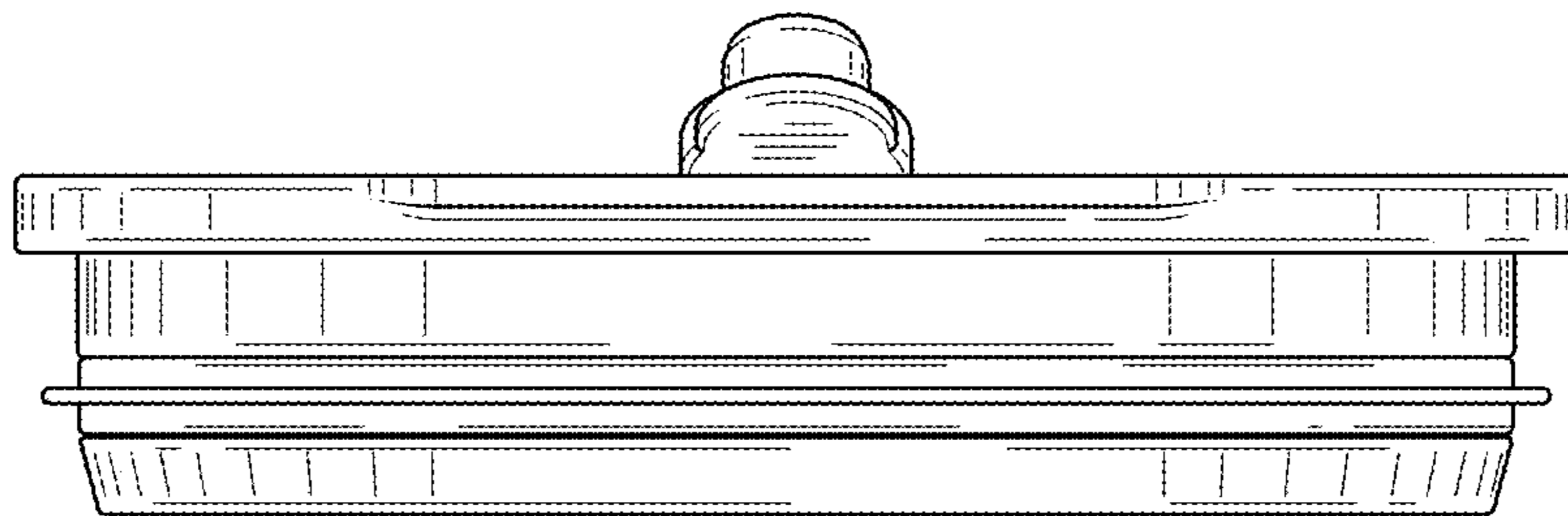


FIG. 46

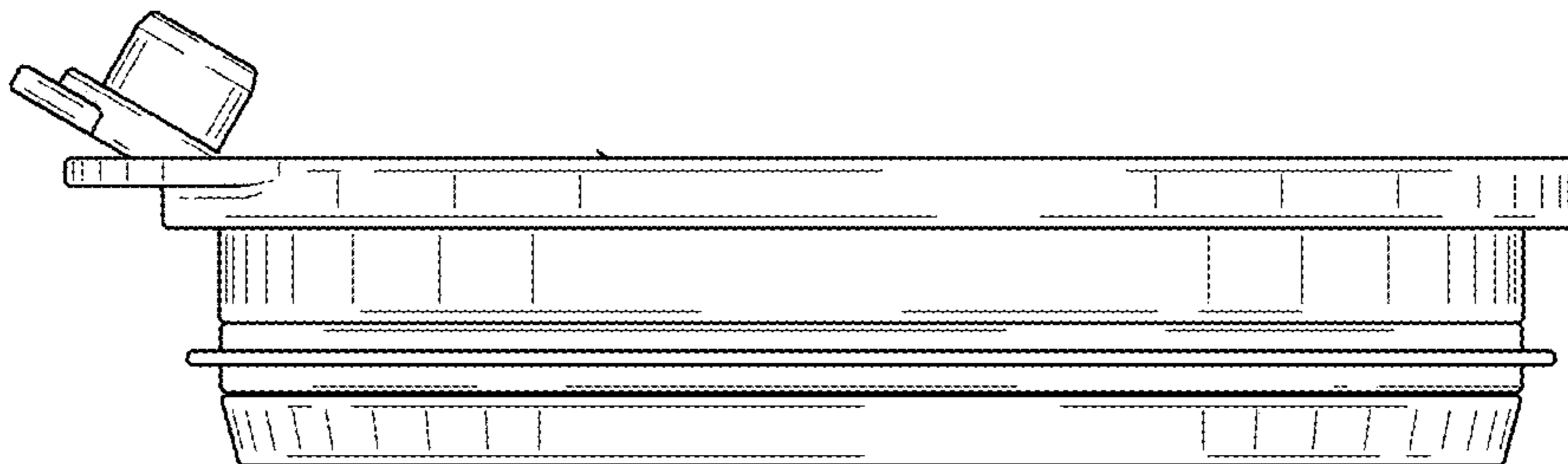


FIG. 47

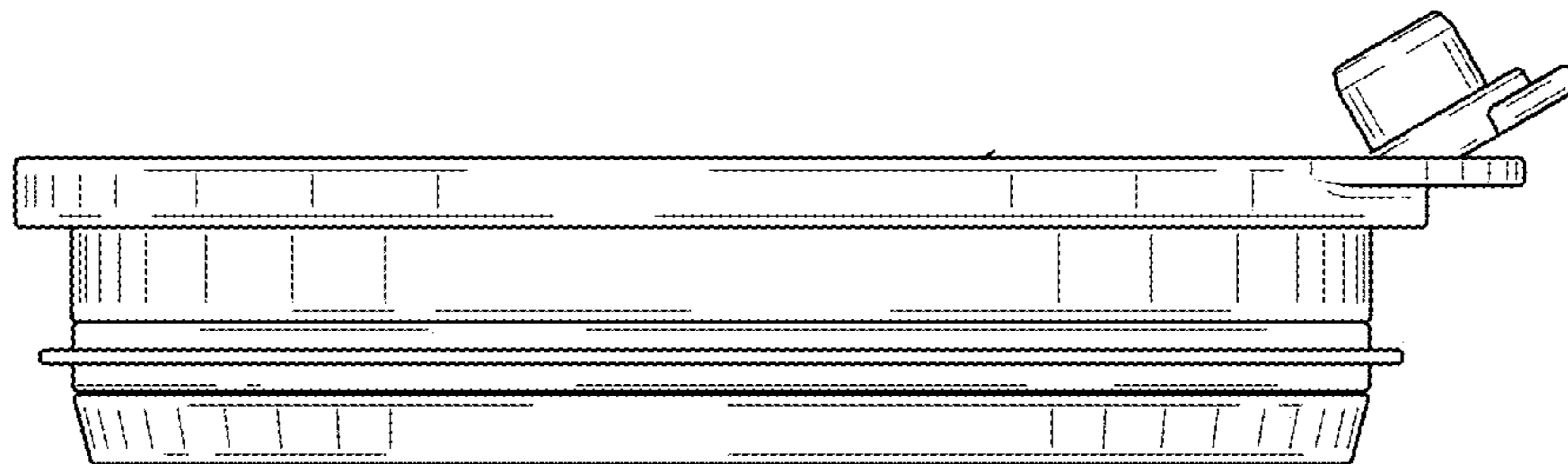


FIG. 48

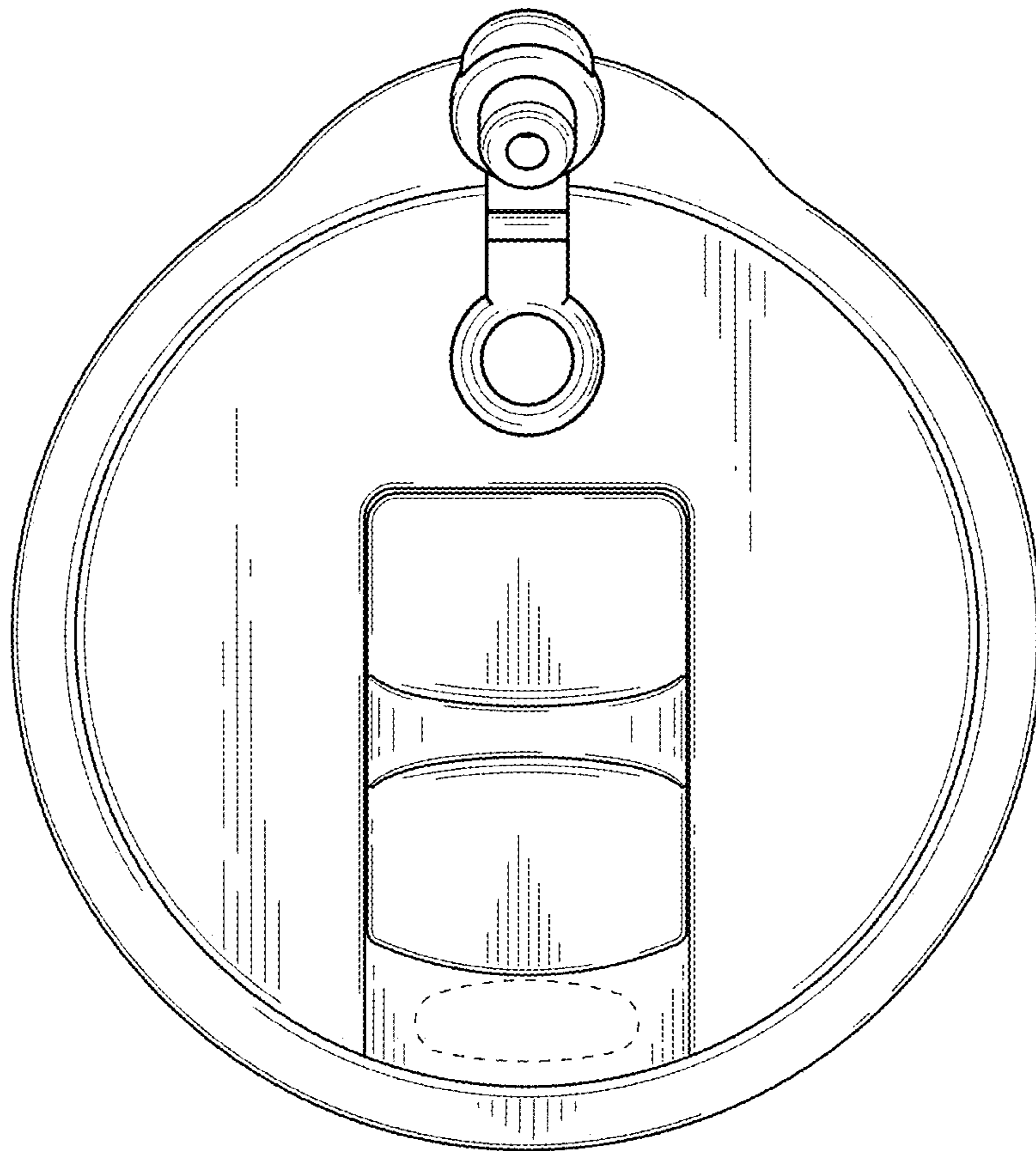


FIG. 49

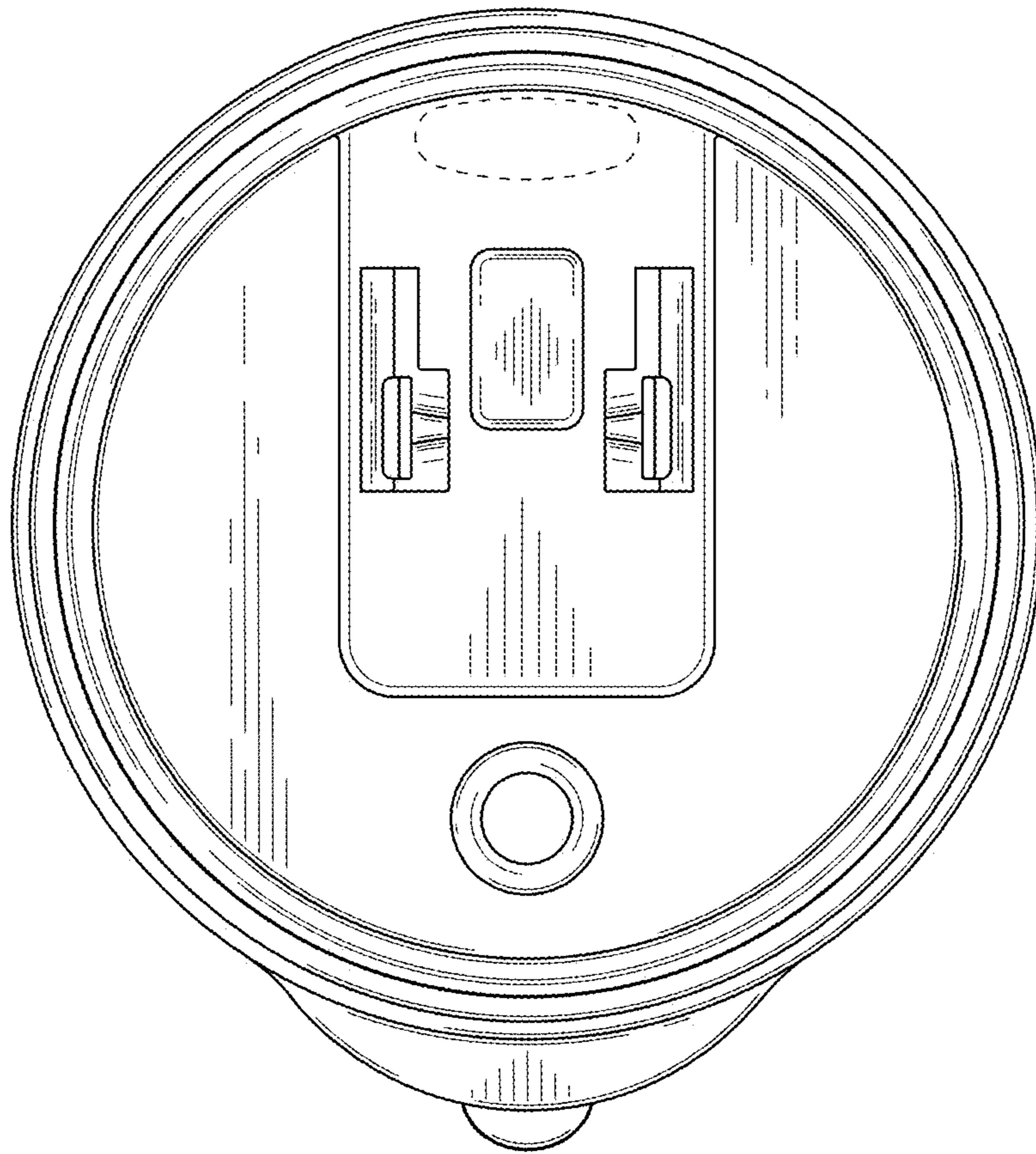


FIG. 50

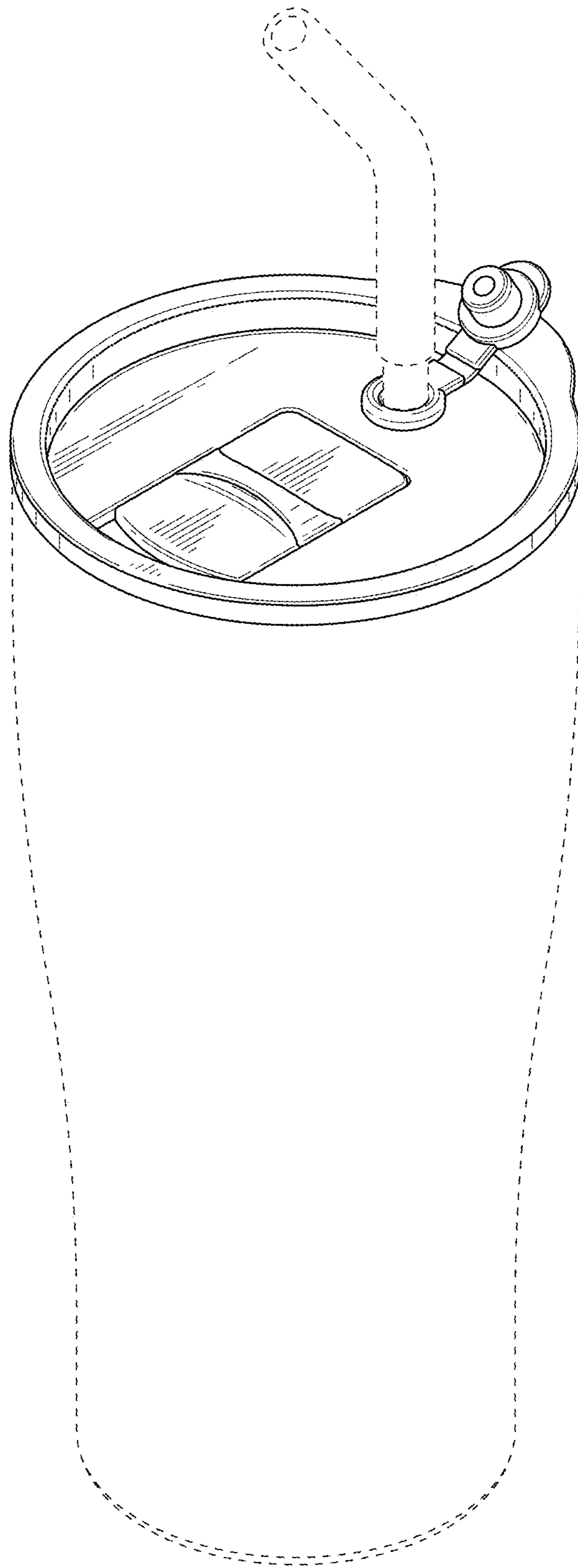


FIG. 51