

US00D964094S

(12) **United States Design Patent**
Campbell

(10) **Patent No.:** **US D964,094 S**

(45) **Date of Patent:** **** Sep. 20, 2022**

(54) **COMBINATION CONTAINER AND CAP**

FOREIGN PATENT DOCUMENTS

(71) Applicant: **BottleKeeper, LLC**, Houston, TX (US)

CA 2956727 A1 2/2016
DE 4126215 A1 2/1993

(72) Inventor: **Matthew T. Campbell**, Cave Creek, AZ (US)

(Continued)

(73) Assignee: **Bottlekeeper, LLC**, Houston, TX (US)

OTHER PUBLICATIONS

(**) Term: **15 Years**

<https://www.amazon.com/Maymom-Changer-Converter-Spectra-Lifefactory/dp/B01EUNA96W?th=1> (Year: 2016).*

(21) Appl. No.: **29/703,260**

(Continued)

(22) Filed: **Aug. 26, 2019**

Primary Examiner — Jae Liang

(51) **LOC (13) Cl.** **07-01**

(74) *Attorney, Agent, or Firm* — Quarles & Brady LLP

(52) **U.S. Cl.**

USPC **D7/392.1; D7/396.2**

(58) **Field of Classification Search**

USPC D7/392.1, 396.2, 396.6, 396.3, 213, 510,
D7/511, 522, 523, 537, 602; D9/434,
D9/435, 436, 440, 449, 454, 746

CPC .. A45F 3/16; B65D 41/56; B65D 3/24; B65D
83/205; A47G 19/2272

See application file for complete search history.

(57) **CLAIM**

The ornamental design for a combination container and cap, as shown and described.

DESCRIPTION

FIG. 1 is a front, top, and left side exploded isometric view of a combination container and cap showing my design; FIG. 2 is a rear, top, and right side exploded isometric view of the combination container and cap of FIG. 1; FIG. 3 is an exploded front elevational view of the combination container and cap of FIG. 1; FIG. 4 is an exploded rear elevational view of the combination container and cap of FIG. 1; FIG. 5 is an exploded left side elevational view of the combination container and cap of FIG. 1; and, FIG. 6 is an exploded right side elevational view of the combination container and cap of FIG. 1. The broken lines in the drawings depict environmental subject matter only and form no part of the claimed design. The dash-dotted lines in the drawings represent the bounds of the claim and form no part of the claimed design.

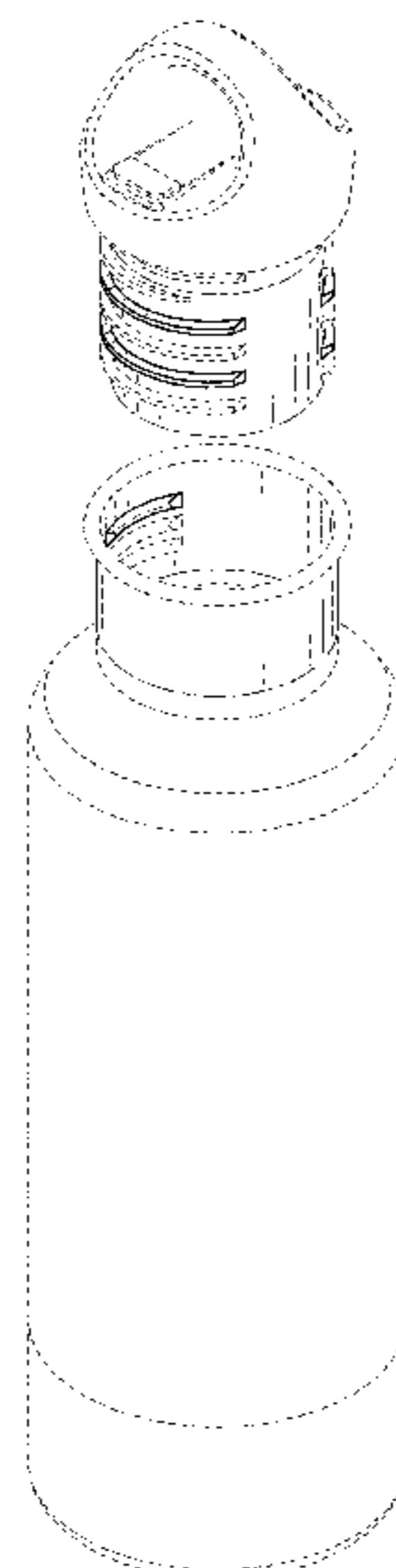
(56) **References Cited**

U.S. PATENT DOCUMENTS

441,228 A	11/1890	Cherbonnier
460,918 A	10/1891	Kraetz
2,163,568 A	6/1939	Schlumbohm
2,889,065 A	6/1959	Lawlor
2,963,187 A	12/1960	Bramming
3,120,319 A	2/1964	Buddrus
3,229,840 A	1/1966	Filleul
3,308,980 A	3/1967	Taylor
3,335,891 A	8/1967	Bailey
D216,386 S	12/1969	Suggs
4,245,753 A	1/1981	Ellis
4,444,324 A	4/1984	Grenell
4,510,769 A	4/1985	McClellan, Jr.
D279,346 S	6/1985	Ruxton
4,690,300 A	9/1987	Woods

(Continued)

1 Claim, 6 Drawing Sheets



(56)

References Cited

U.S. PATENT DOCUMENTS

4,768,664 A	9/1988	Zimmermann	D695,138 S	12/2013	Ball
4,811,858 A	3/1989	Augur	D696,118 S	12/2013	Lindstrom
4,823,974 A	4/1989	Crosser	D696,900 S	1/2014	George et al.
D321,628 S	11/1991	Kobayashi et al.	D696,945 S	1/2014	Newman
5,186,350 A	2/1993	McBride	D699,516 S	2/2014	Kim et al.
5,213,215 A	5/1993	Prevot	D700,802 S	3/2014	Miller
5,261,554 A	11/1993	Forbes	D700,808 S	3/2014	Eyal
5,417,327 A	5/1995	Saumure	D702,086 S	4/2014	Thurlow
5,635,232 A	6/1997	Wallace	D702,092 S	4/2014	Mettler et al.
5,695,090 A	12/1997	Burdick	D702,506 S	4/2014	Mettler et al.
5,745,626 A	4/1998	Duck et al.	D705,063 S	5/2014	Weiss
5,904,267 A	5/1999	Thompson	D706,032 S	6/2014	Roth et al.
D410,548 S	6/1999	Chomik	D710,155 S	8/2014	Tatsukawa
5,975,337 A	11/1999	Hadley	D716,653 S	11/2014	Balembois
5,992,677 A	11/1999	Ebine	D724,385 S	3/2015	Hurley et al.
6,427,863 B1	8/2002	Nichols	D725,968 S	4/2015	George
6,467,644 B1	10/2002	Yeh	D726,476 S	4/2015	Ercanbrack
6,604,649 B1	8/2003	Campi	D727,171 S	4/2015	Marina et al.
D495,208 S	8/2004	Putnam	D727,671 S	4/2015	Gamelli
6,793,076 B1	9/2004	Luo et al.	D729,019 S	5/2015	Kilduff et al.
D512,874 S	12/2005	Poulson et al.	D730,729 S	6/2015	George
D533,396 S *	12/2006	Lipson D7/392.1	D736,563 S	8/2015	George
D543,791 S	6/2007	Goto et al.	D737,144 S	8/2015	Hughes et al.
D547,610 S	7/2007	Edelstein et al.	D738,692 S	9/2015	Kilduff et al.
D553,914 S	10/2007	Wahl	D740,609 S	10/2015	Ayres
D573,390 S	7/2008	Ablo	D741,655 S	10/2015	Whelan et al.
D578,390 S	10/2008	Green	D743,741 S	11/2015	Itzhaki
D586,186 S	2/2009	Bhavnani	D758,132 S	6/2016	Breit
D599,616 S *	9/2009	Cresswell D7/392.1	D758,800 S	6/2016	Hayslett et al.
D604,561 S	11/2009	Chisholm	D760,081 S	6/2016	Berge
D614,918 S	5/2010	Chisholm	D761,624 S	7/2016	McLean et al.
D615,823 S	5/2010	Gilbert	D771,357 S	11/2016	Brewer
D616,743 S *	6/2010	Cresswell D9/443	D772,014 S	11/2016	Ayres
D619,418 S	7/2010	Nezu et al.	9,505,527 B1	11/2016	Campbell
D620,798 S	8/2010	Cresswell et al.	D774,837 S	12/2016	Seiders et al.
D621,220 S	8/2010	Lown et al.	D779,273 S	2/2017	Lee et al.
D621,257 S	8/2010	Gullickson et al.	D779,323 S	2/2017	Masrour
D624,362 S	9/2010	Wahl	D779,881 S	2/2017	Lee et al.
D626,416 S	11/2010	Cresswell et al.	D780,530 S	3/2017	Seiders et al.
D627,227 S	11/2010	Andis	D780,531 S	3/2017	Seiders et al.
D627,601 S	11/2010	Eyal	D780,532 S	3/2017	Seiders et al.
D628,486 S	12/2010	Lane	D780,533 S	3/2017	Seiders et al.
D632,522 S	2/2011	Wahl et al.	D781,662 S	3/2017	Seiders et al.
D632,524 S	2/2011	Rosbach et al.	D782,881 S	4/2017	Seiders et al.
D633,338 S	3/2011	Rosbach et al.	D783,367 S	4/2017	Seiders et al.
D635,457 S	4/2011	Lane	D783,368 S	4/2017	Seiders et al.
D640,494 S	6/2011	Frederiksen	D784,775 S	4/2017	Seiders et al.
D648,984 S	11/2011	Gullickson et al.	D785,412 S	5/2017	Petre
D651,853 S	1/2012	Eyal	D786,012 S *	5/2017	Hein D7/396.2
D652,255 S	1/2012	Carland	D786,617 S	5/2017	Breit
D652,682 S	1/2012	Eyal	D787,886 S	5/2017	Cerasani
D653,081 S	1/2012	George	D787,893 S	5/2017	Seiders et al.
D655,581 S	3/2012	Kotani	D787,894 S	5/2017	Seiders et al.
D656,025 S	3/2012	Carreno	9,637,270 B2	5/2017	Campbell
D657,196 S	4/2012	Beyers, III	D788,544 S	6/2017	Seiders et al.
D658,450 S	5/2012	Ying	D789,796 S	6/2017	McSweeney et al.
D658,944 S	5/2012	Gilbert et al.	D790,285 S	6/2017	Seiders et al.
D660,081 S	5/2012	Gilbert	D791,550 S	7/2017	Marret
D661,945 S	6/2012	Eyal	D794,397 S	8/2017	Seiders et al.
D662,767 S	7/2012	Hotell et al.	D795,019 S	8/2017	Seiders et al.
D664,809 S	8/2012	Eyal	D795,020 S	8/2017	Seiders et al.
D665,621 S *	8/2012	Eyal D7/392.1	D796,261 S	9/2017	Khalifa et al.
D670,525 S	11/2012	Fallon et al.	D799,898 S	10/2017	Yao
D672,609 S	12/2012	Aziz et al.	D799,900 S	10/2017	Santos et al.
D675,882 S	2/2013	Crockett	D799,906 S	10/2017	Seiders et al.
D676,708 S	2/2013	Lane	D799,907 S	10/2017	Seiders et al.
D677,119 S *	3/2013	Ying D7/392.1	D799,908 S	10/2017	Seiders et al.
D680,431 S *	4/2013	Hopkins D9/443	D800,502 S	10/2017	Weermink
D682,016 S *	5/2013	Knight D7/392.1	D803,064 S	11/2017	Marina et al.
D687,677 S	8/2013	Sturgess	D803,632 S	11/2017	Seiders et al.
D689,332 S	9/2013	Krasner	D804,906 S	12/2017	Diener et al.
D691,420 S	10/2013	McIntire	D805,852 S	12/2017	Seiders et al.
D691,849 S	10/2013	Cetera et al.	D806,477 S	1/2018	Wray et al.
D693,170 S	11/2013	Rosbach	D807,125 S	1/2018	Seiders et al.
D695,069 S	12/2013	Lane	D808,220 S	1/2018	Burns et al.
			D809,344 S	2/2018	Guthrie
			D809,920 S	2/2018	Maple
			D811,817 S	3/2018	Harrington, III et al.
			D811,818 S	3/2018	Wu

(56)

References Cited

U.S. PATENT DOCUMENTS

D813,613 S 3/2018 Wall
 D814,241 S 4/2018 Nickley et al.
 D814,865 S 4/2018 Breit
 D816,411 S 5/2018 Stover
 D817,713 S 5/2018 Lin
 D817,714 S 5/2018 Breit
 D818,775 S 5/2018 Woodruff
 D819,403 S 6/2018 Li et al.
 D820,650 S 6/2018 Seiders et al.
 D821,138 S 6/2018 Silsby et al.
 D823,068 S 7/2018 Seiders et al.
 D823,069 S 7/2018 Seiders et al.
 D824,218 S 7/2018 Seiders et al.
 10,040,593 B2* 8/2018 Ross B65D 39/08
 D828,094 S 9/2018 Jackson et al.
 D828,095 S 9/2018 Jackson et al.
 D828,751 S 9/2018 Ploeger
 D829,056 S 9/2018 Wall
 D829,058 S 9/2018 Seiders et al.
 D829,101 S 9/2018 Spivey et al.
 D830,773 S 10/2018 Jacobsen
 D830,774 S 10/2018 Jacobsen
 D830,784 S 10/2018 Moore et al.
 D831,436 S 10/2018 Seiders et al.
 D834,373 S 11/2018 Spivey et al.
 10,118,735 B2 11/2018 Campbell
 D836,389 S* 12/2018 Abante D7/392.1
 D837,597 S 1/2019 Silsby
 10,251,468 B1 4/2019 Moore et al.
 D847,630 S 5/2019 Cotan
 10,384,832 B2 8/2019 Johnson
 D862,228 S 10/2019 Yao
 D876,227 S 2/2020 Ramsey
 D885,892 S 6/2020 Paquet
 D897,151 S* 9/2020 Bullock D7/396.2
 D902,643 S 11/2020 Park
 D907,954 S 1/2021 Ludolph
 D908,487 S* 1/2021 Xia D9/439
 D917,225 S* 4/2021 Huang D7/392.1
 D917,960 S 5/2021 Yao
 D922,829 S 6/2021 Campbell et al.
 11,034,505 B2* 6/2021 Bullock A47J 41/022
 D931,042 S* 9/2021 Burga D7/392.1
 D935,268 S* 11/2021 Bullock D7/396.2
 2004/0045972 A1 3/2004 Stokes
 2004/0124192 A1 7/2004 Teller
 2005/0224442 A1 10/2005 White
 2005/0269322 A1 12/2005 Betras et al.
 2007/0051687 A1 3/2007 Olson
 2007/0119517 A1 5/2007 Grace
 2007/0125785 A1 6/2007 Robinson et al.
 2007/0175906 A1 8/2007 Caladrino
 2007/0221693 A1 9/2007 Moore
 2009/0056369 A1 3/2009 Fink et al.
 2009/0266737 A1 10/2009 Cole
 2010/0005828 A1 1/2010 Fedell
 2010/0084362 A1 4/2010 Letchinger et al.
 2010/0288723 A1 11/2010 Mayer
 2011/0011823 A1 1/2011 Moore
 2011/0114588 A1 5/2011 Nowzari
 2011/0204048 A1 8/2011 Carino et al.
 2012/0145591 A1 6/2012 Ceder
 2012/0199548 A1 8/2012 Kitto
 2013/0153591 A1 6/2013 Grimes et al.
 2013/0206717 A1 8/2013 Lane
 2014/0238949 A1 8/2014 Patel
 2015/0021346 A1 1/2015 Cappuccio

2015/0232232 A1* 8/2015 Shibuki B65D 39/08
 220/592.16
 2017/0008207 A1 1/2017 Tamarindo
 2018/0162608 A1* 6/2018 Kim B65D 47/246
 2018/0194518 A1* 7/2018 Li B65D 1/023
 2018/0194537 A1 7/2018 Chan
 2019/0152655 A1 5/2019 Lake

FOREIGN PATENT DOCUMENTS

DE 102004025620 A1 2/2006
 EP 1452455 A1 9/2004
 FR 1054716 A 2/1954
 JP 2008030773 A 2/2008
 KR 2010000510 U 1/2010
 TW 460607 U 9/2013
 WO 2008063750 A2 5/2008

OTHER PUBLICATIONS

https://www.amazon.com/Hydro-Flask-FBA_S24SX110-Standard-Bottle/dp/B01KXHGWQU/ref=sr_1_4?crid=NRSYNJKBVB32&keywords=hydro%2Bflask%2Bwater%2Bbottle&qid=1651705373&srefix=hydro%2Bflask%2Bwater%2Bbottl%2Caps%2C727&sr=8-4&th=1 Mar. 31, 2013 (Year: 2013).
 Back2Tap, [online], Reusable Bottles posted on Jan. 6, 2011, retrieved on Jan. 28, 2019. Retrieved from, <URL: <http://www.back2tap.com/tag/stainless-steel-water-bottles/>>, 3 pages.
 Benefits of Stainless Steel Water Bottles, [online], posted on Mar. 1, 2012, retrieved on Jan. 28, 2019. Retrieved from, <URL: <https://b2bbusinessnews.wordpress.com/2012/03/01/benefits-of-stainless-steel-water-bottles/>>, 3 pages.
 Brewtis the BottleKeeper, [online], posted on Dec. 26, 2013, retrieved on Jan. 28, 2019. Retrieved from, <URL: <http://www.dudeiwantthat.com/gear/food-drink/brewtis-the-bottlekeeper.asp>>, 22 pages.
 EarthLust Stainless Steel Water Bottle, [online], product reviewed on Oct. 17, 2008, retrieved on Jan. 28, 2019. Retrieved from, <URL: <https://www.amazon.com/dp/BOO1DYOCOW?tag=new-best-seller-20>>, 4 pages.
 Neiko 71010 Stainless Steel Sports Water Bottle, [online], published on Nov. 3, 2009, retrieved on Jan. 28, 2019. Retrieved from, <URL: https://www.amazon.com/Eco-Friendly-Mouth-Stainless-Steel-Bottle/dp/B002VDA2AC/ref=sr_1_107?s=sporting-goods&ie=UTF8&qid=1396116064&s%2E%80%A6>, 8 pages.
 Wawabots Personalized Photo Water Bottles, [online], published on Nov. 30, 2011, retrieved on Jan. 28, 2019. Retrieved from, <URL: <https://inhabitat.com/inhabitats/product-review-wawabots-personalized-photo-water-bottles/>>, 7 pages.
 Simple Modern Ascent Handle Lid: Announced Oct. 28, 2017 [online]. Site Visited [Jan. 28, 2022]. Available from Internet URL: <https://www.amazon.com/Simple-Modern-Ascent-Handle-Lid/dp/B076FHVZBH>.
 Stanley Replacement Lid: Announced May 26, 2020 [online]. Site Visited [Feb. 9, 2022]. Available from Internet URL: <https://www.amazon.co.uk/Stanley-10-08920-001-Replacement-Plug/dp/B082LZST96>.
 Universal Vacuum Flask Pot Stopper Cup Cap: Site Visited [Feb. 9, 2022]. Available from Internet URL: https://www.ebay.com/itm/304018532062?chn=ps&var=603173204378&_trkparms=ispr%3D1&amdata=enc%3A1IOBCXa-0QGKFU E-9 KtPxzQ46&norover=1&mkevt=1&mkrid=711-117182-37290-0&mkcid=2&itemid=603173204378_304018532062&targetid=1599090336417&device=c&mktype=&googleloc=9059726&poi=&campaignid=15275224983&mkgroupid=131097072938&rl.

* cited by examiner

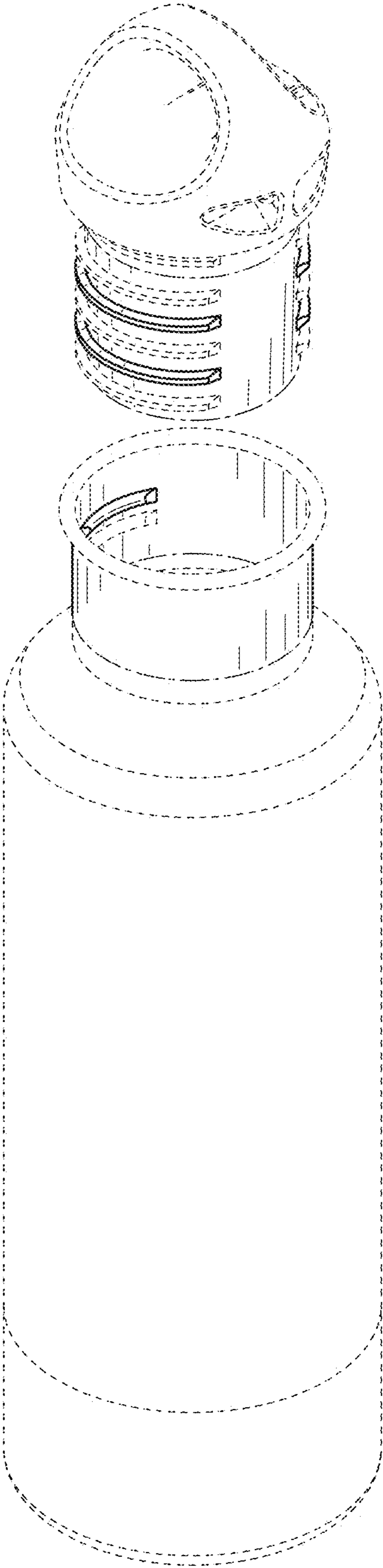


FIG. 1

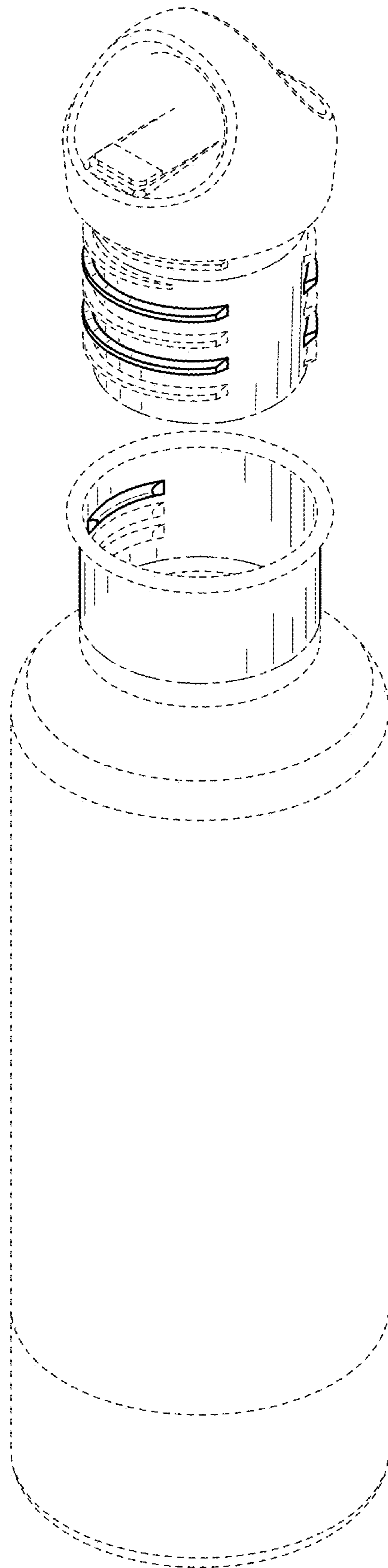


FIG. 2

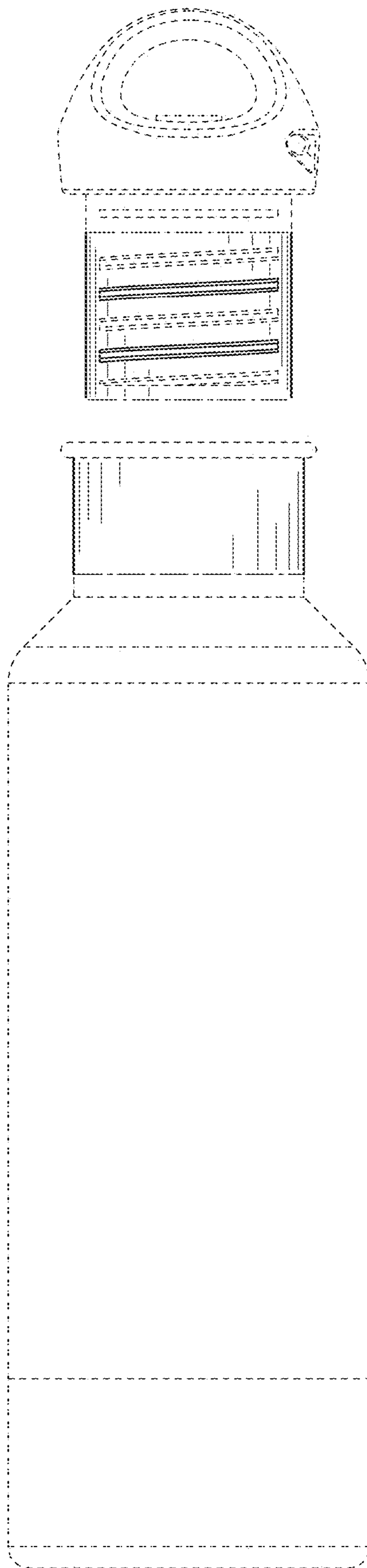


FIG. 3

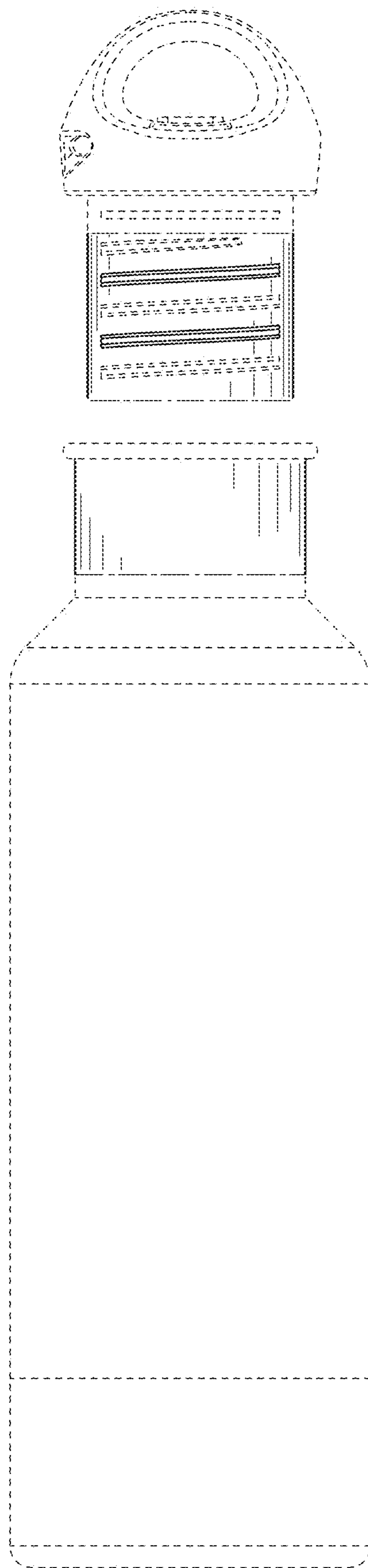


FIG. 4

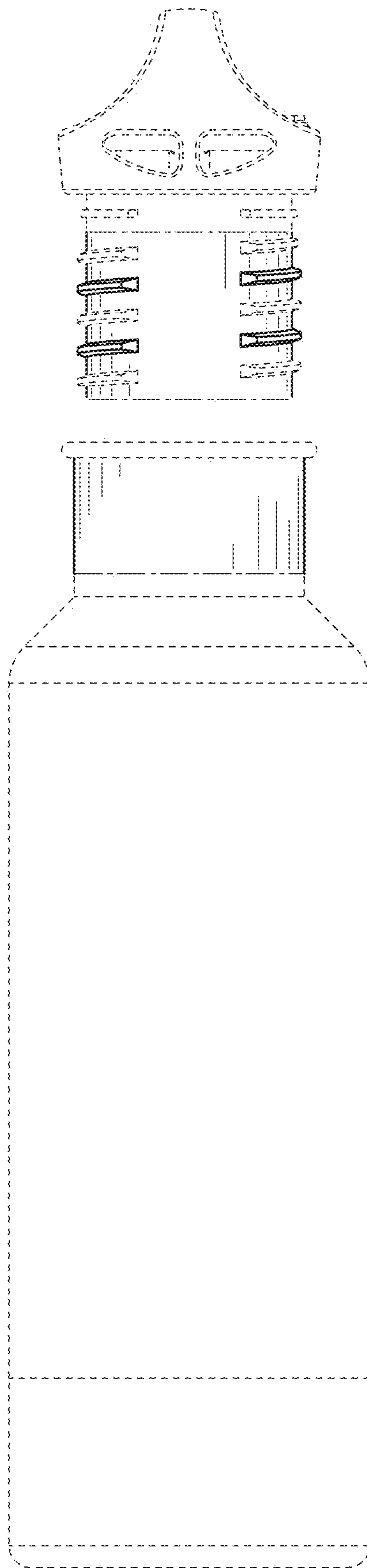


FIG. 5

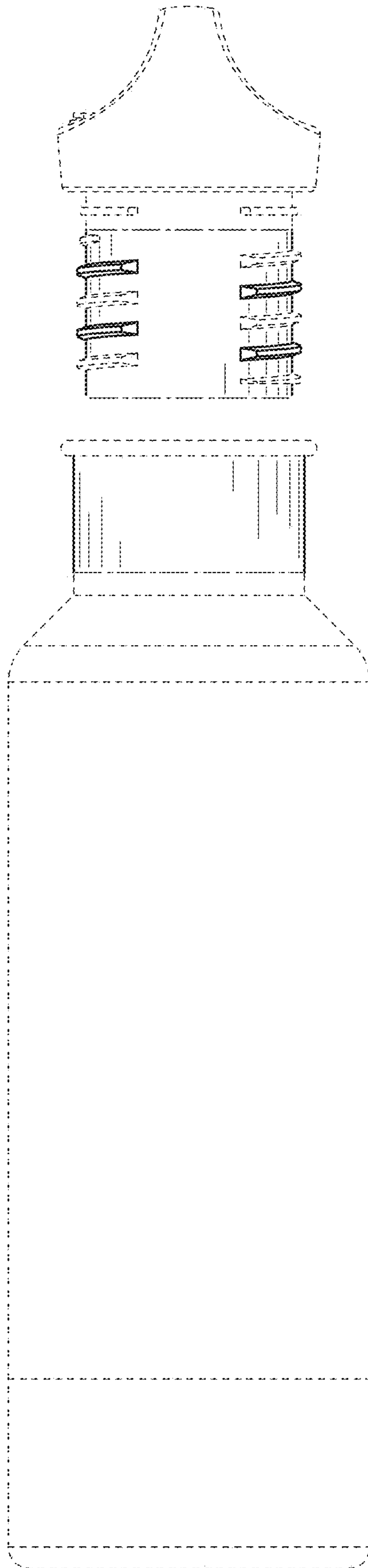


FIG. 6