



US00D964092S

(12) **United States Design Patent**
Liu et al.

(10) **Patent No.:** **US D964,092 S**
(45) **Date of Patent:** **** Sep. 20, 2022**

(54) **LID FOR FOOD PROCESSOR**

FOREIGN PATENT DOCUMENTS

(71) Applicant: **MIDEA GROUP CO., LTD.**,
Guangdong (CN)

CA 202075 * 1/2022

(72) Inventors: **Xian'an Liu**, Guangdong (CN); **Chao Yang**, Guangdong (CN); **Weixi Peng**, Guangdong (CN)

OTHER PUBLICATIONS

Midea website, 300W Food Chopper, Publication date unknown, [site visited Mar. 8, 2022], Available on the Internet URL <https://www.midea.com/global/small-appliances/food-choppers/300w-food-chopper> (Year: 2022).*

(73) Assignee: **MIDEA GROUP CO., LTD.**, Foshan (CN)

(**) Term: **15 Years**

* cited by examiner

(21) Appl. No.: **35/511,508**

Primary Examiner — S. Bryan Reinholdt, Jr.

(22) Filed: **Sep. 30, 2020**

(74) *Attorney, Agent, or Firm* — Morgan, Lewis & Bockius LLP

(80) **Hague Agreement Data**

Int. Filing Date: **Sep. 30, 2020**
Int. Reg. No.: **DM/212999**
Int. Reg. Date: **Sep. 30, 2020**
Int. Reg. Pub. Date: **Mar. 12, 2021**

(57) **CLAIM**

The ornamental design for a lid for food processor, as shown and described.

(30) **Foreign Application Priority Data**

Apr. 20, 2020 (CN) 202030161594.0

DESCRIPTION

(51) **LOC (13) Cl.** **31-00**

(52) **U.S. Cl.**
USPC **D7/376**

(58) **Field of Classification Search**
USPC D7/300, 306, 365, 376, 392, 392.1, D7/396.2, 507, 509, 510, 511, 607, 665, D7/666; D9/434, 435, 439, 440, 443, D9/450

CPC A47J 43/0711
See application file for complete search history.

- 1. Lid for food processor
- 1.1 : Front
- 1.2 : Back
- 1.3 : Left
- 1.4 : Right
- 1.5 : Top
- 1.6 : Bottom
- 1.7 : Perspective
- 1.8 : Reference view of state of use

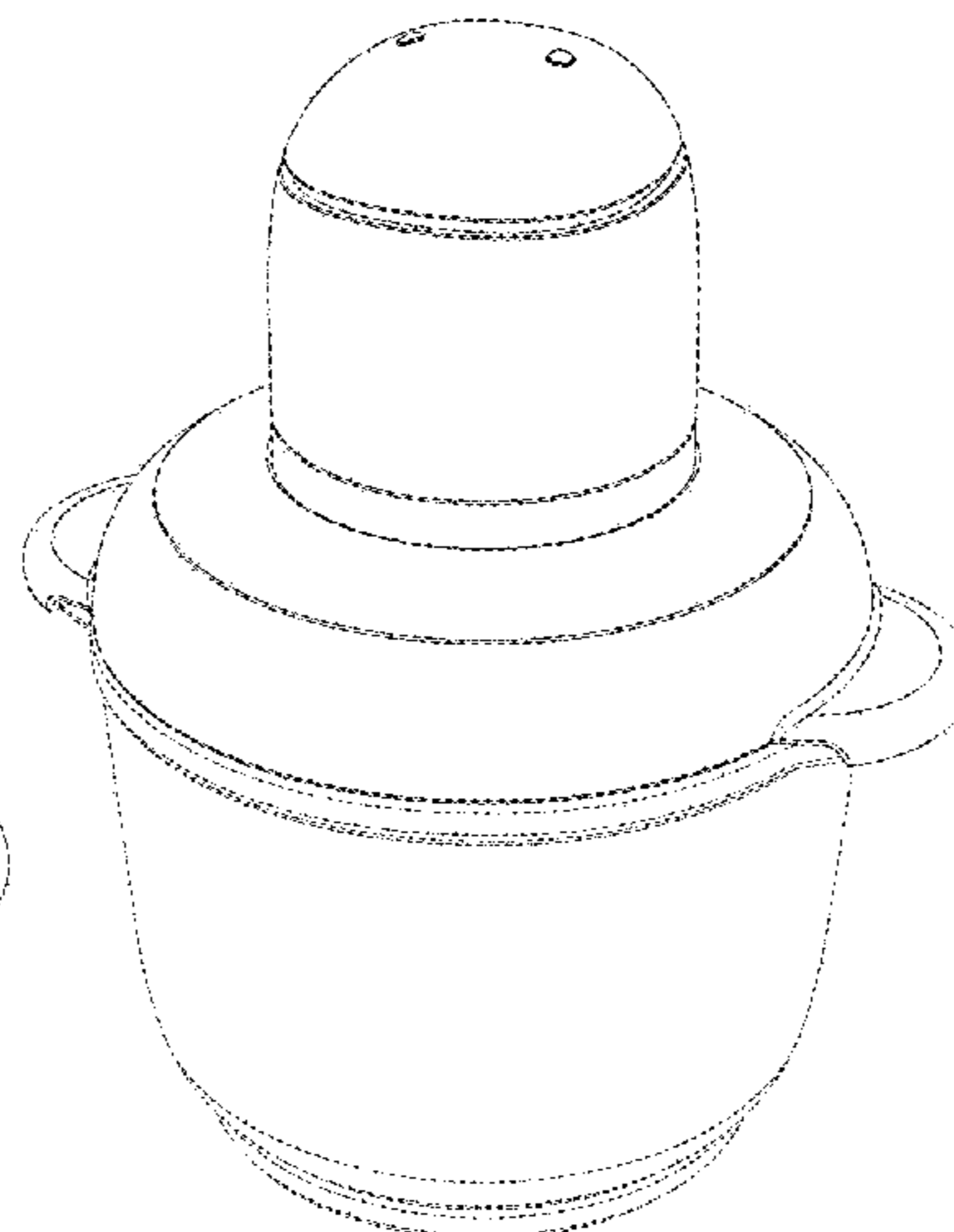
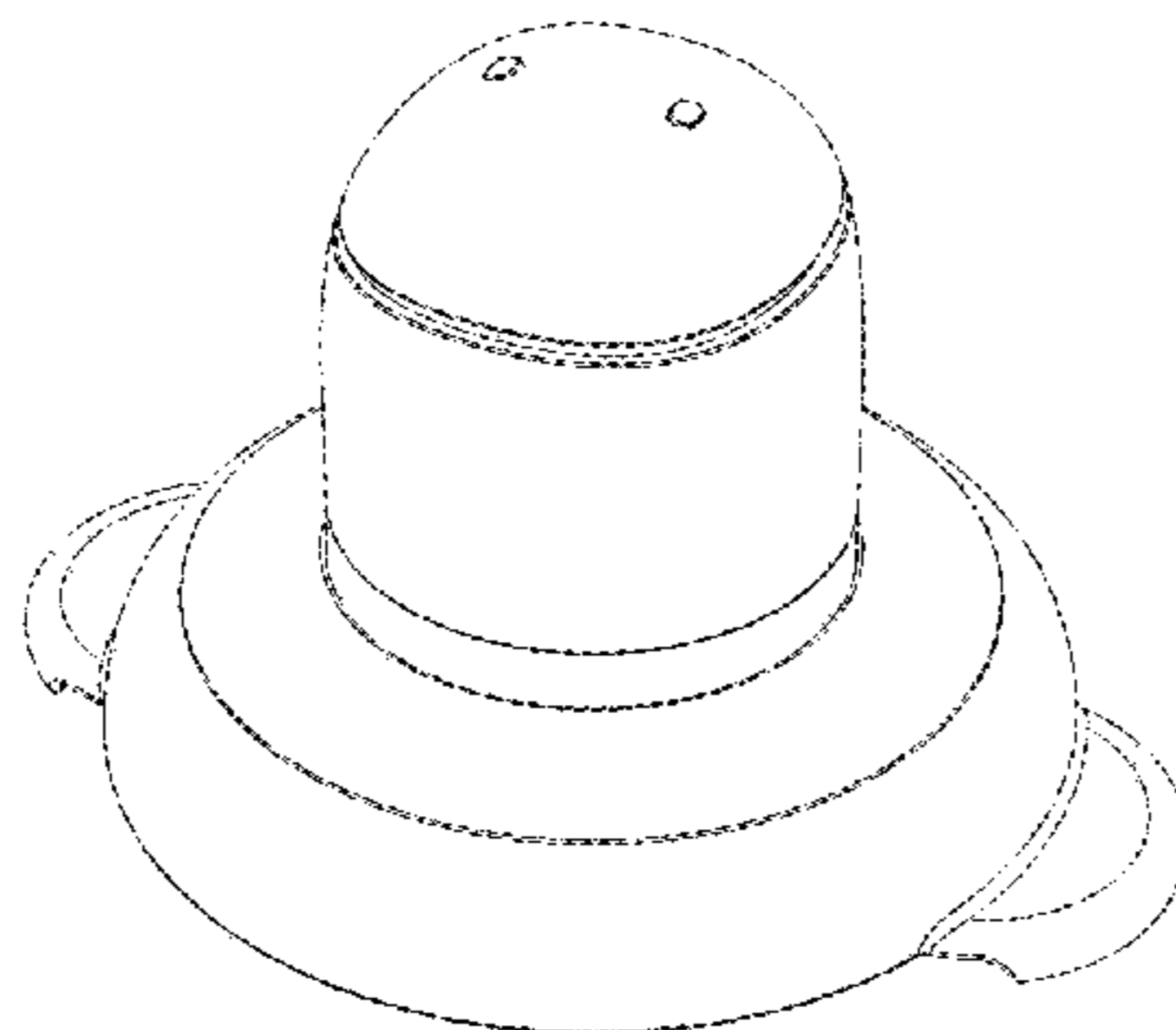
The broken lines and areas within them in Fig. 1.6 depict portions of the lid for food processor that form no part of the claimed design. In Fig. 1.8, the broken lines depict environmental subject matter that forms no part of the claimed design.

(56) **References Cited**

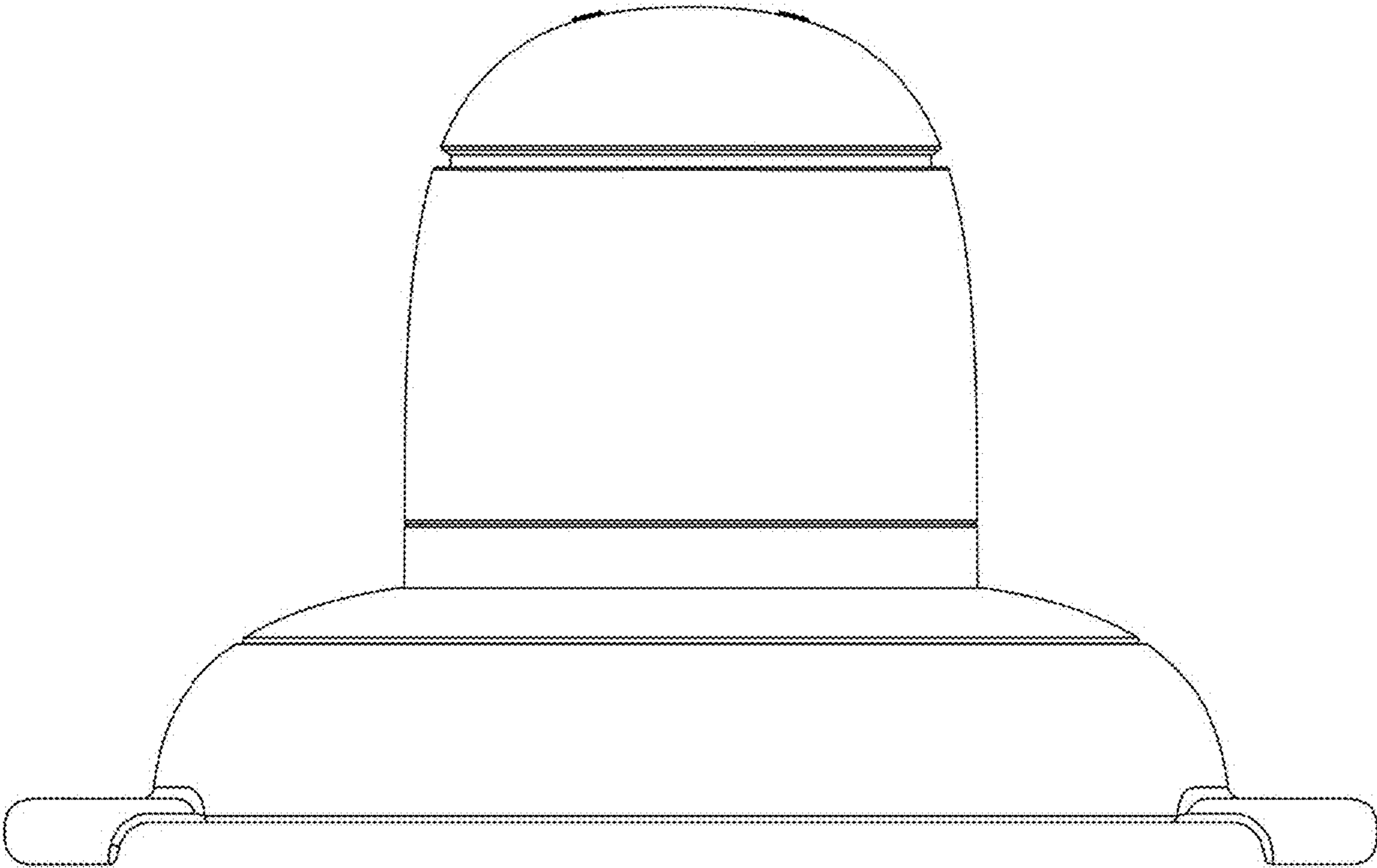
U.S. PATENT DOCUMENTS

D417,594 S * 12/1999 Diefenbach D7/665
D906,434 S * 12/2020 Xu D21/372
D911,838 S * 3/2021 Dolos D9/435

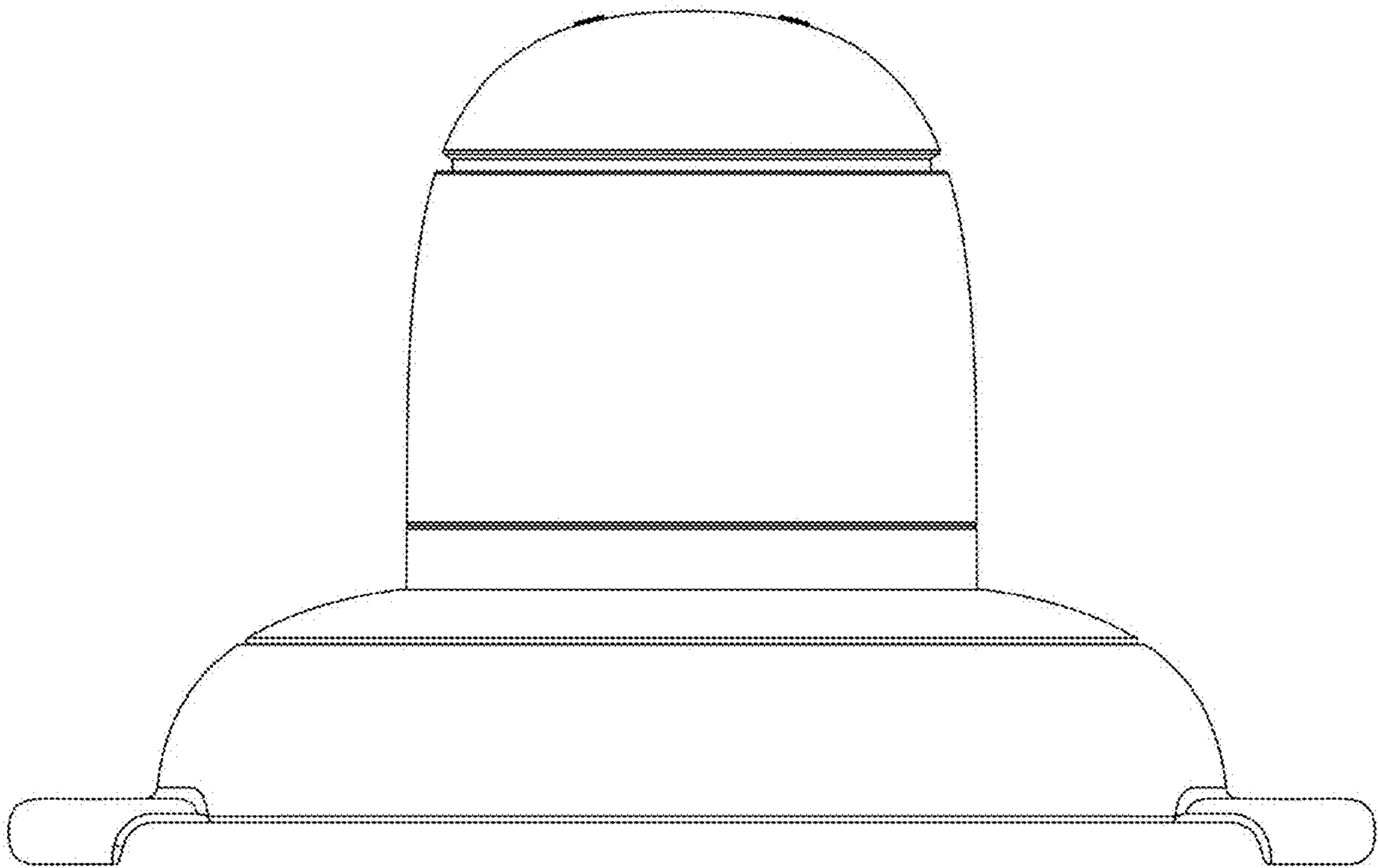
1 Claim, 8 Drawing Sheets



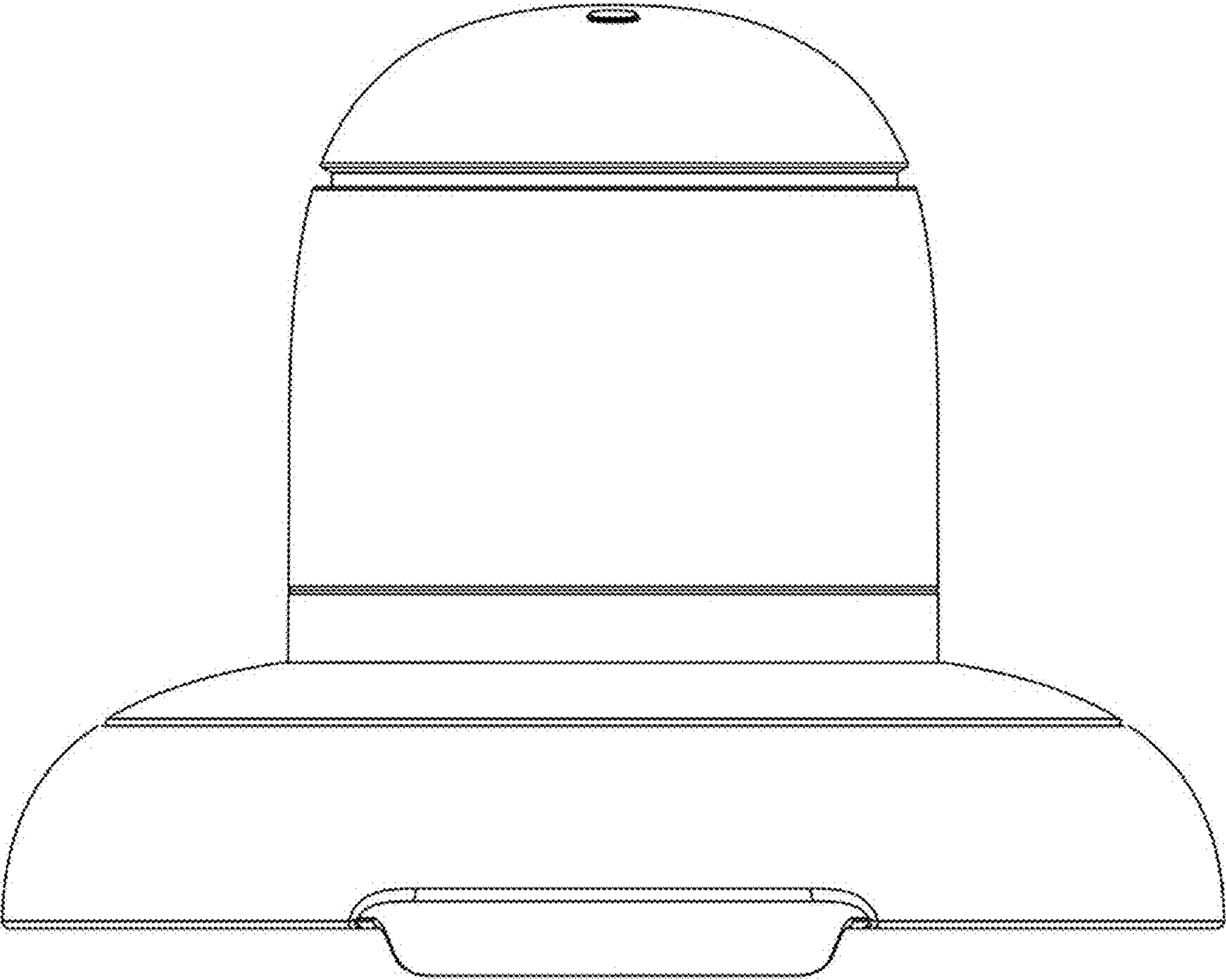
1.1



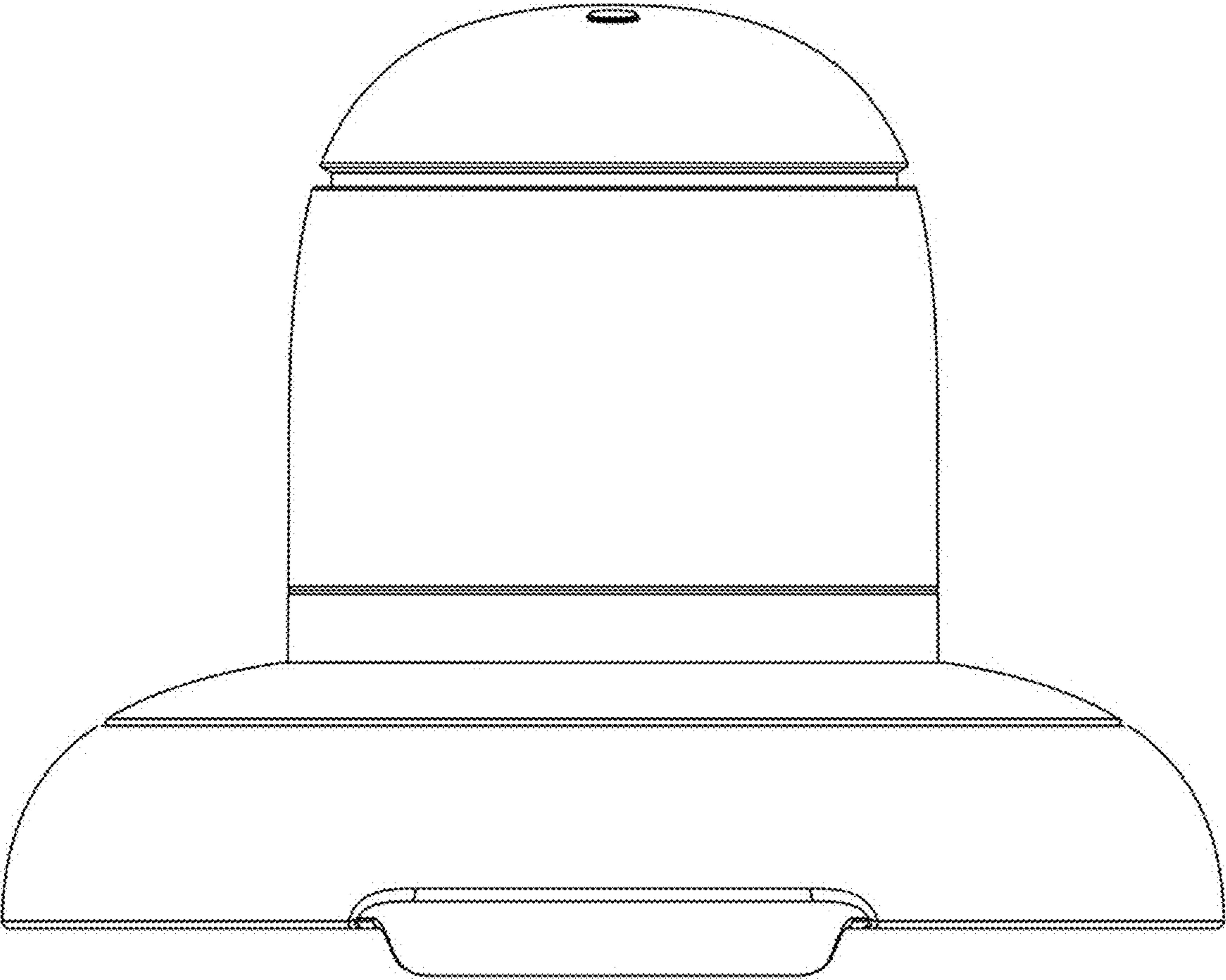
1.2



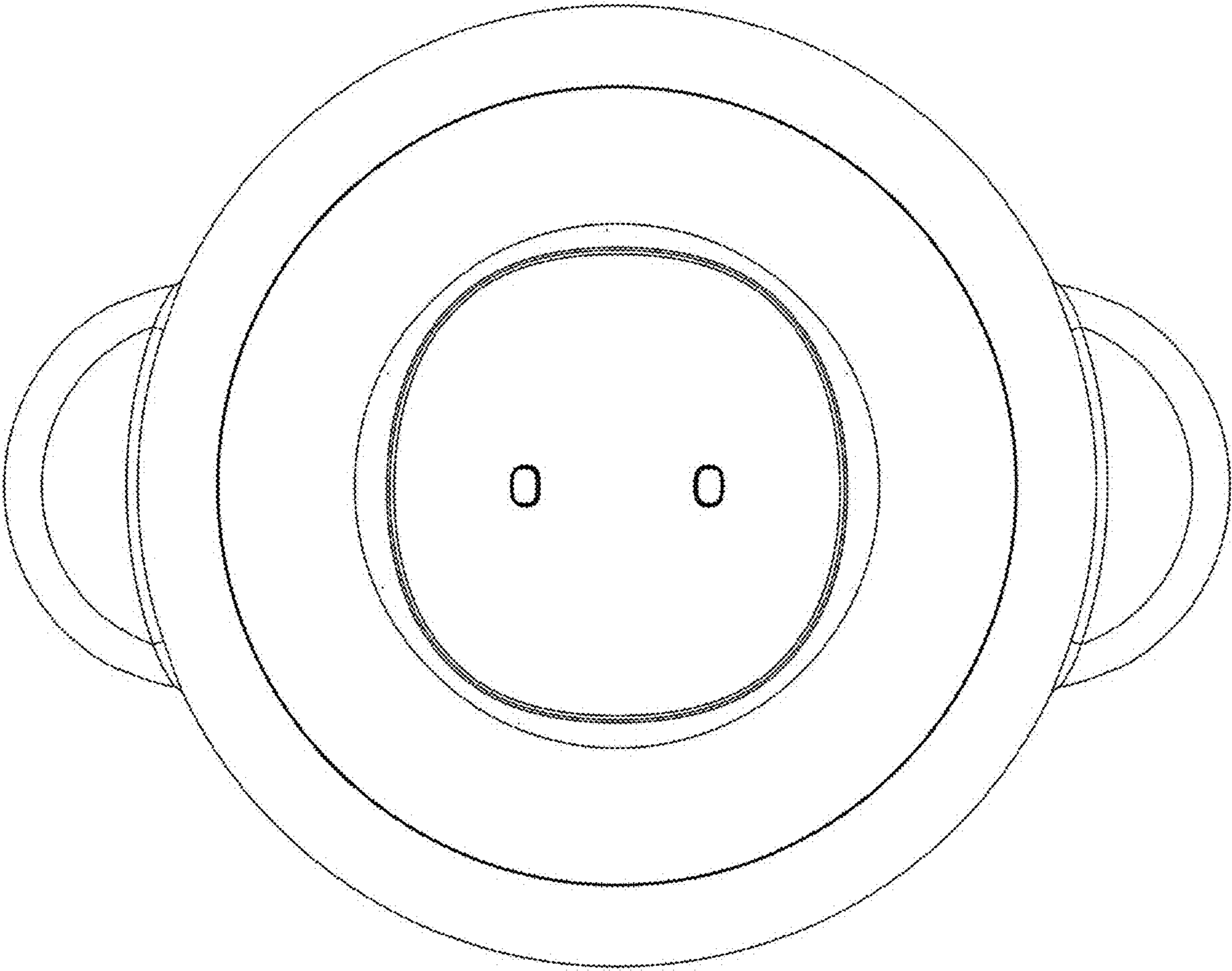
1.3



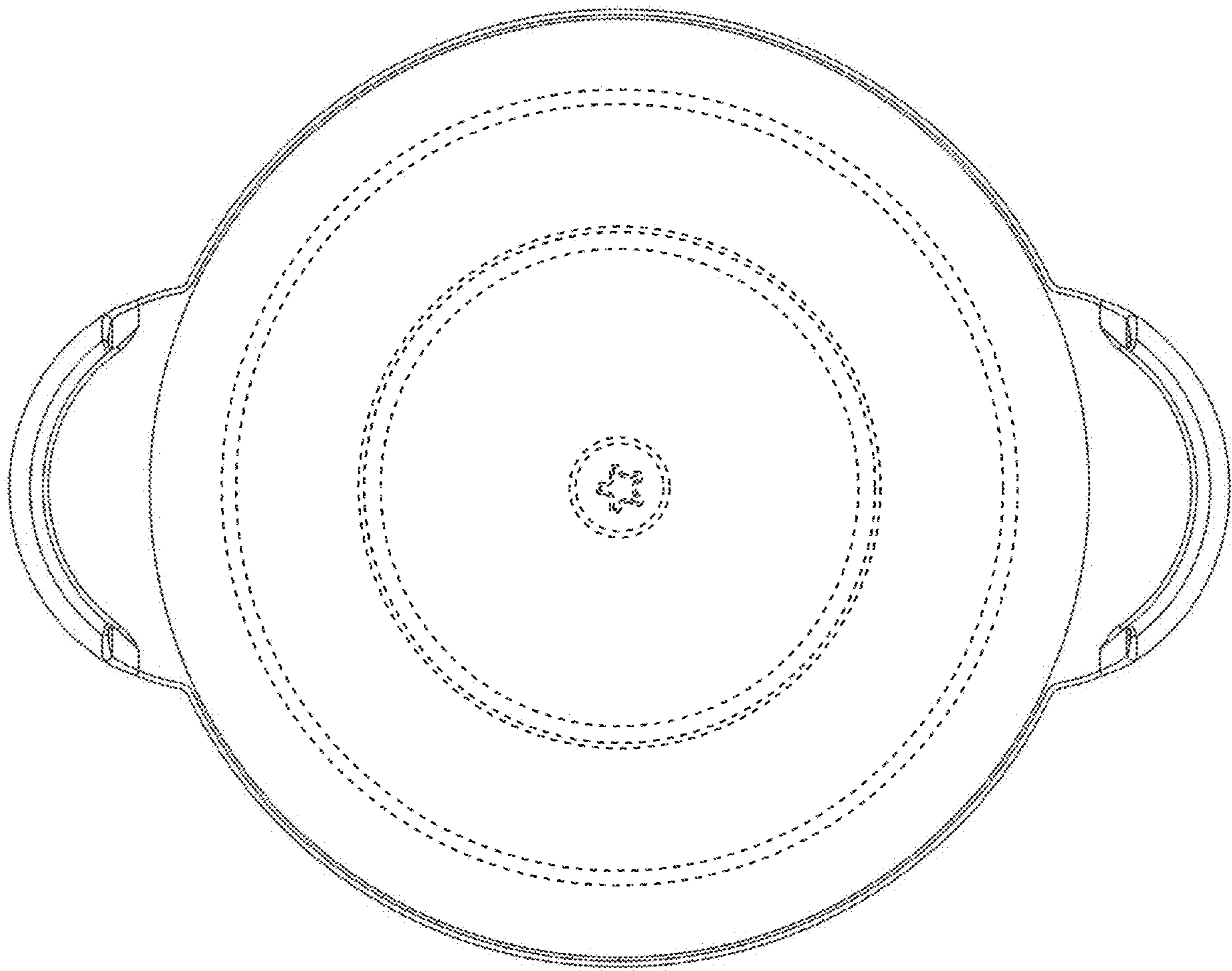
1.4



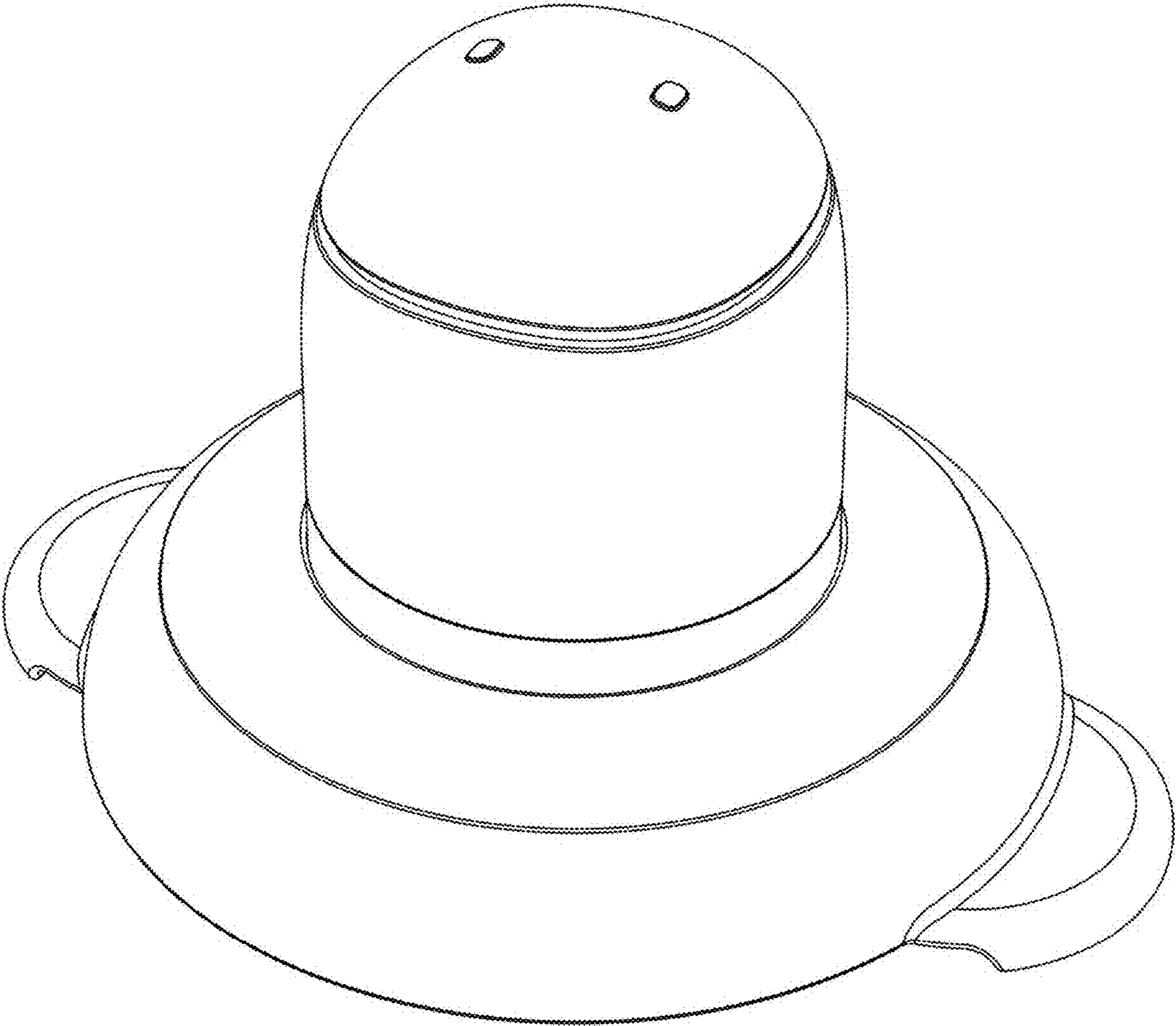
1.5



1.6



1.7



1.8

