

US00D964091S

(12) **United States Design Patent**
Vandrak et al.

(10) **Patent No.:** **US D964,091 S**

(45) **Date of Patent:** **** Sep. 20, 2022**

(54) **BURNER**

(71) Applicant: **Enerco Group, Inc.**, Cleveland, OH (US)

(72) Inventors: **Brian S. Vandrak**, Highland Heights, OH (US); **John Talbot**, Bay Village, OH (US); **Patrick Brown**, Cleveland Heights, OH (US); **Peter N. Whitworth**, Northfield, OH (US)

(73) Assignee: **Enerco Group, Inc.**, Cleveland, OH (US)

(**) Term: **15 Years**

(21) Appl. No.: **29/745,293**

(22) Filed: **Aug. 5, 2020**

(51) **LOC (13) Cl.** **07-02**

(52) **U.S. Cl.**
USPC **D7/365; D7/362**

(58) **Field of Classification Search**
USPC ... D7/323, 328-330, 332, 337, 350.1, 350.4, D7/362, 390
CPC ... A21B 2/00; A47J 37/00; A47J 37/06; A47J 37/0611; A47J 37/0635; A47J 37/08; A47J 37/0807; A47J 37/0814; A47J 37/0835; A47J 37/0842; A47J 37/085; A47J 37/0864; A47J 37/0878; A47J 37/0885; A47J 37/0892; F24C 15/10; F24C 15/102

See application file for complete search history.

(56) **References Cited**

U.S. PATENT DOCUMENTS

D406,722 S *	3/1999	Benton	D7/337
D412,808 S *	8/1999	Hinton	D7/362
D464,843 S *	10/2002	Schulte	D7/352
D504,795 S *	5/2005	Schulte	D7/337
D506,636 S *	6/2005	Schulte	D7/337
D533,008 S *	12/2006	Macri	D7/332
D576,443 S *	9/2008	Chung	D7/337

* cited by examiner

Primary Examiner — Ricky Pham

(74) *Attorney, Agent, or Firm* — Tucker Ellis LLP; Heather M. Barnes; Michael G. Craig

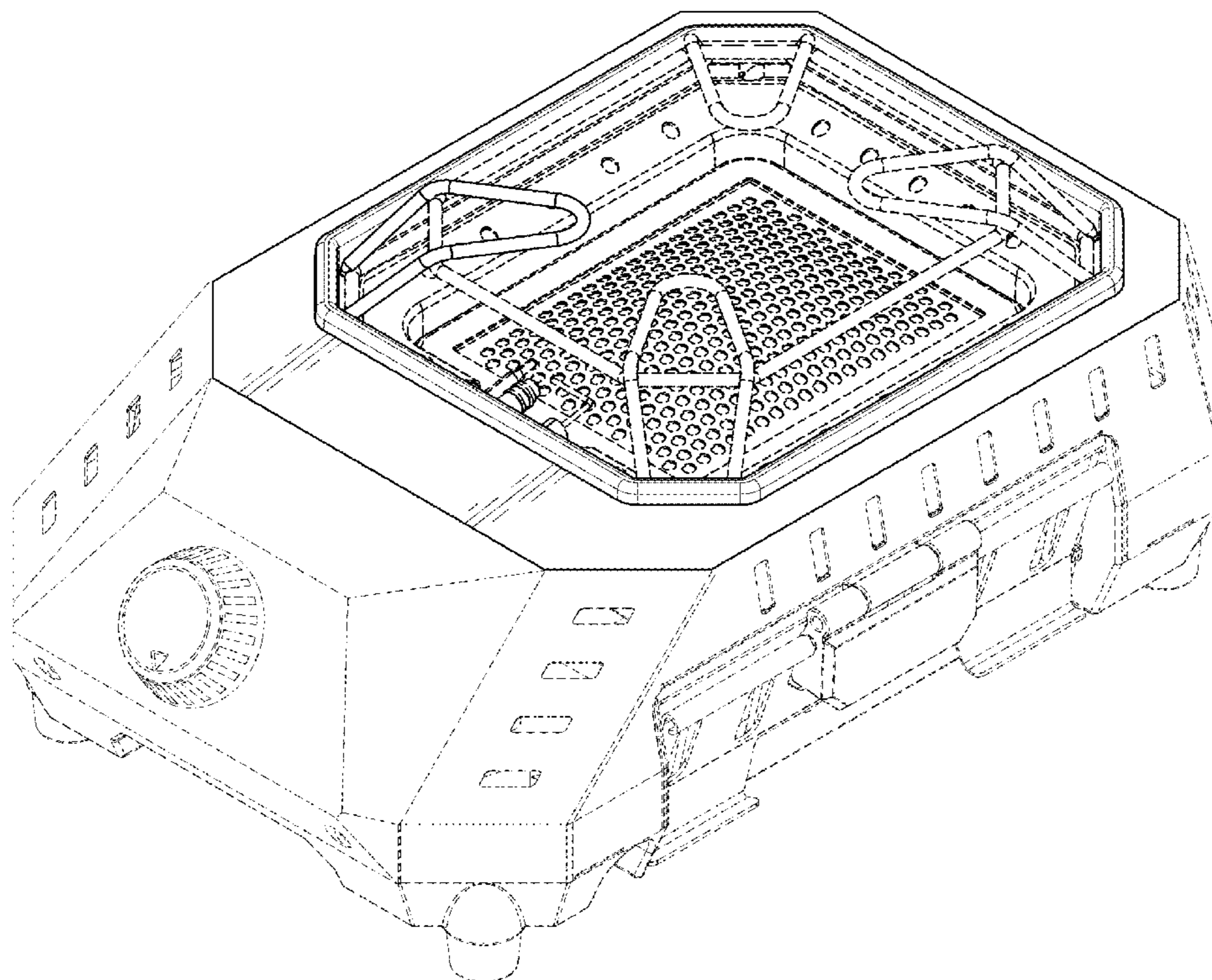
(57) **CLAIM**

The ornamental design for a burner, as shown and described.

DESCRIPTION

FIG. 1 is a top right perspective view of a burner showing our new design;
FIG. 2 is a top left perspective view thereof;
FIG. 3 is a bottom perspective view thereof;
FIG. 4 is a top view thereof;
FIG. 5 is a front view of FIG. 4;
FIG. 6 is a rear view of FIG. 4;
FIG. 7 is a right view of FIG. 4;
FIG. 8 is a left view of FIG. 4; and,
FIG. 9 is a bottom view of FIG. 4.
The broken lines shown in the drawings are for illustrative purposes only and form no part of the claimed design.

1 Claim, 7 Drawing Sheets



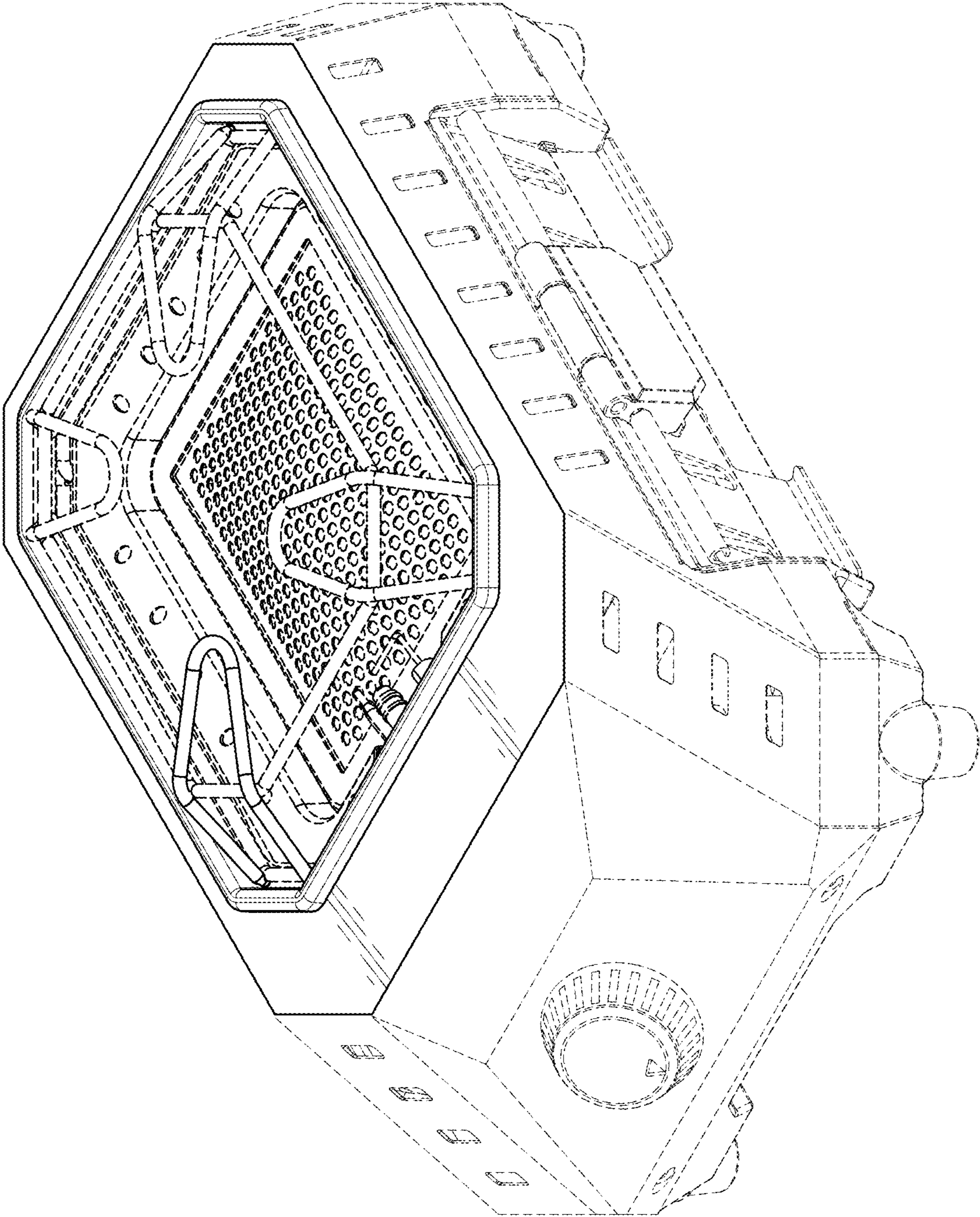


FIG. 1

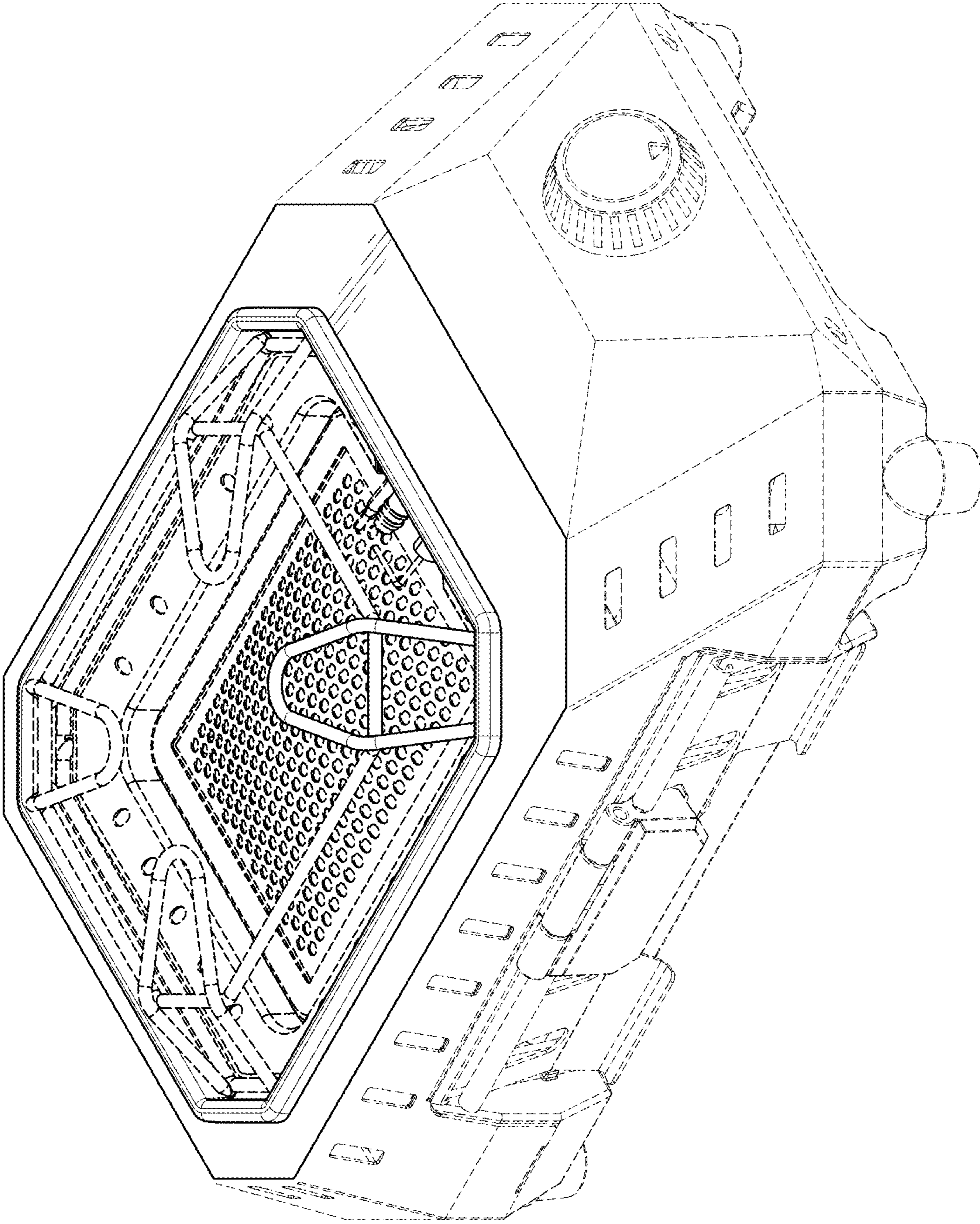


FIG. 2

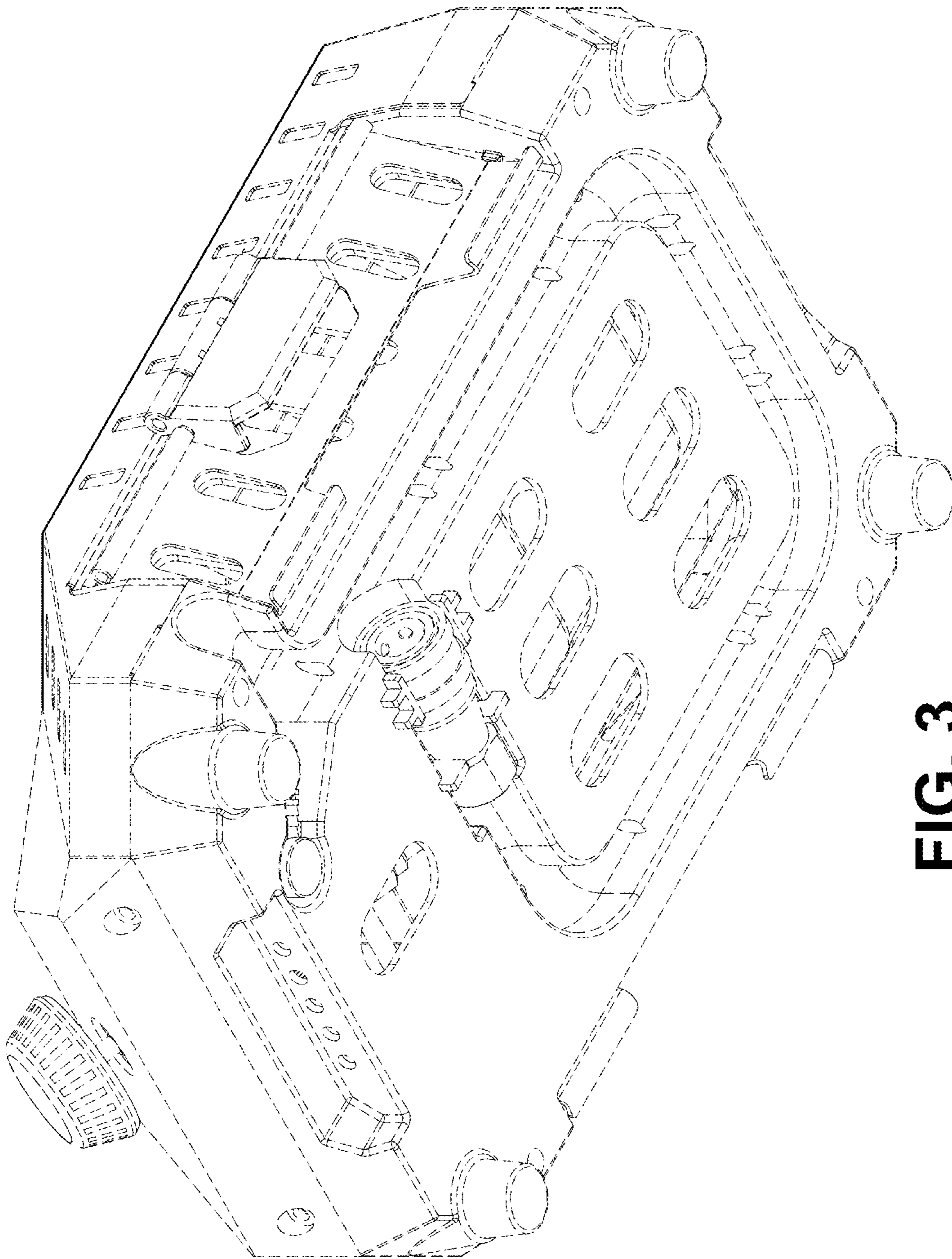


FIG. 3

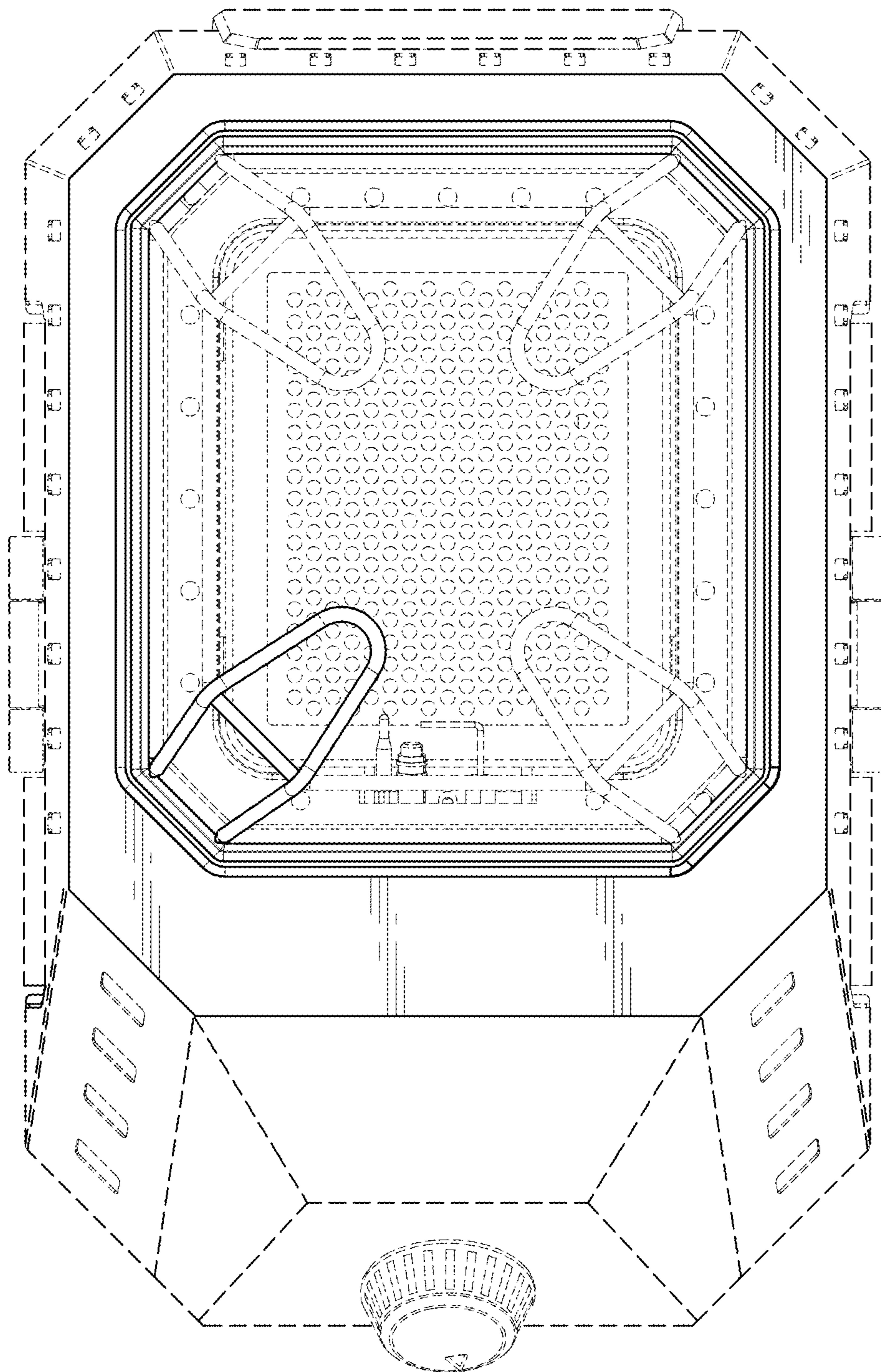


FIG. 4

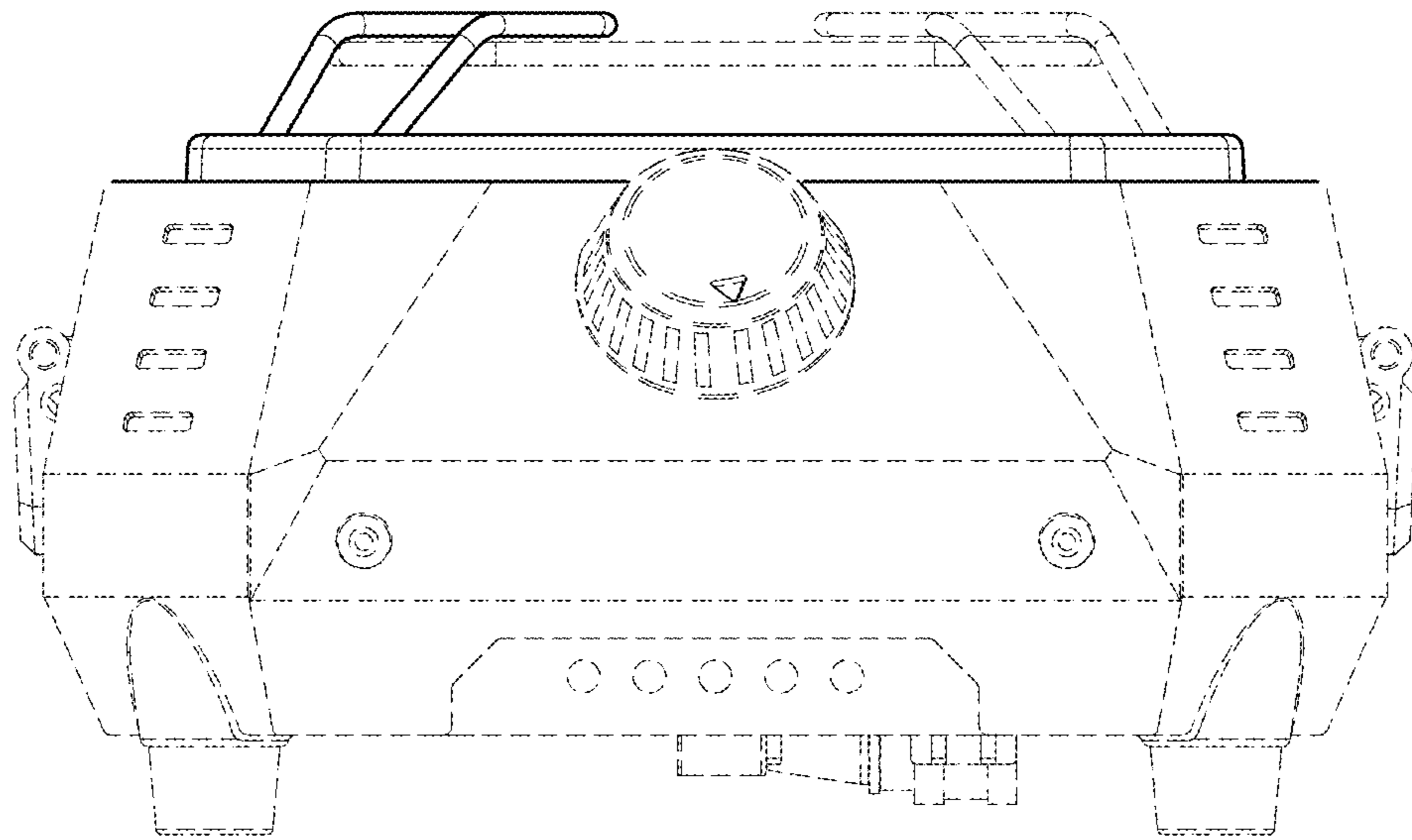


FIG. 5

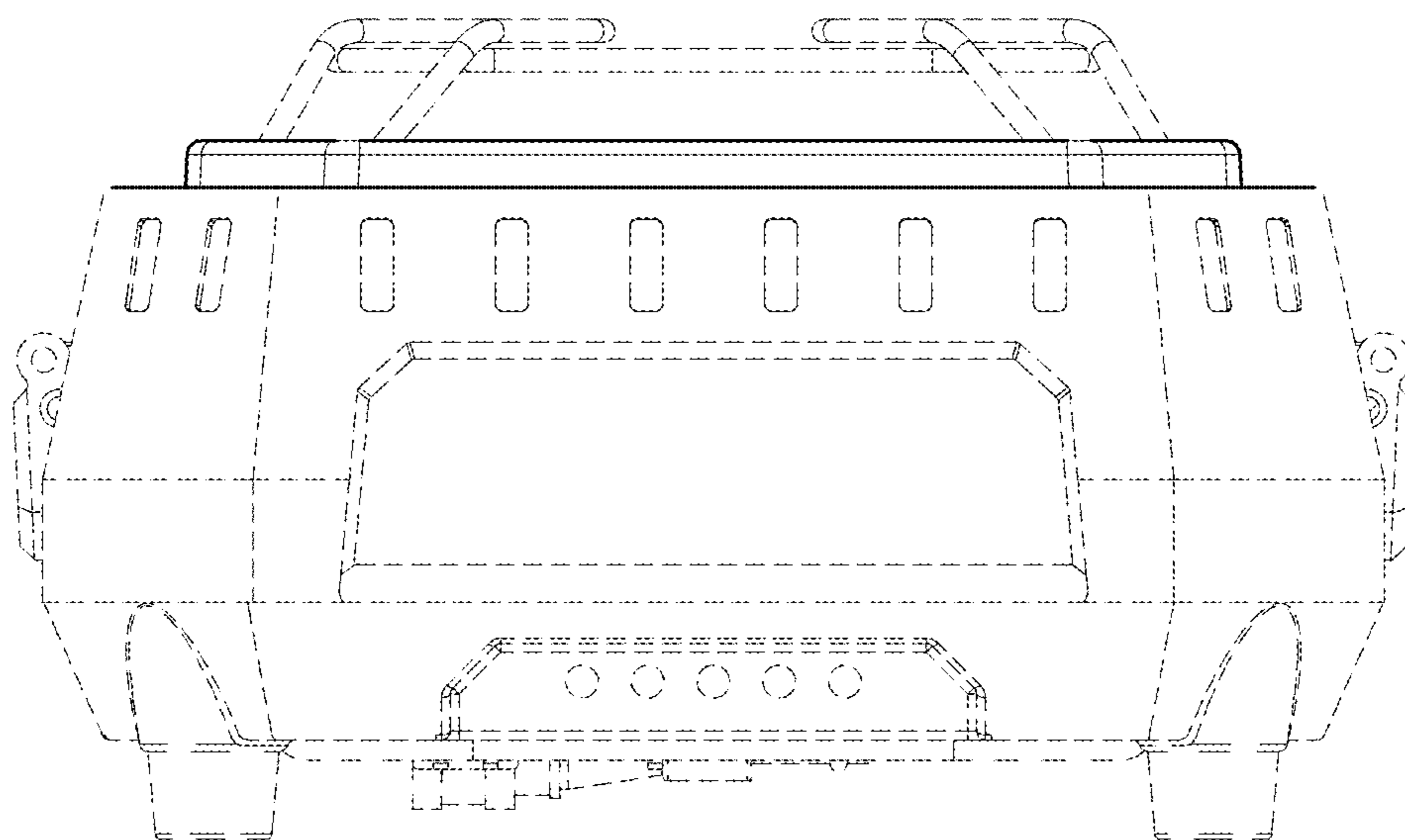


FIG. 6

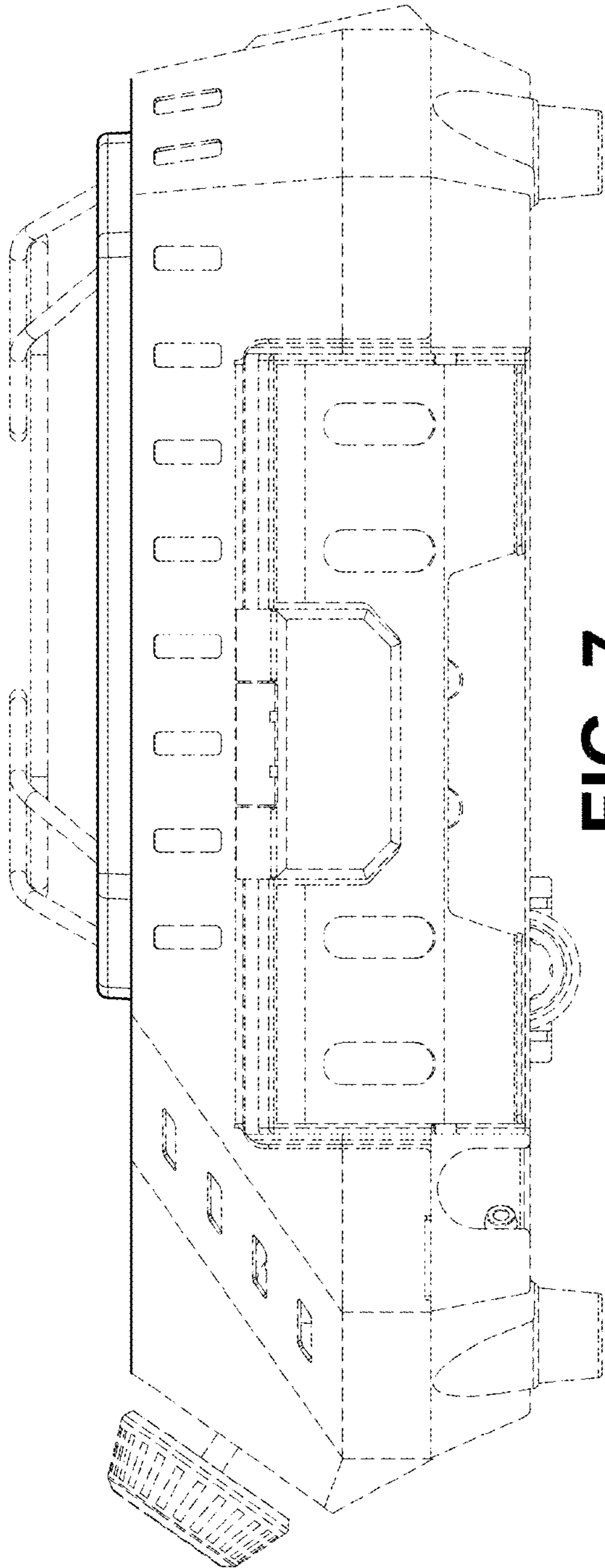


FIG. 7

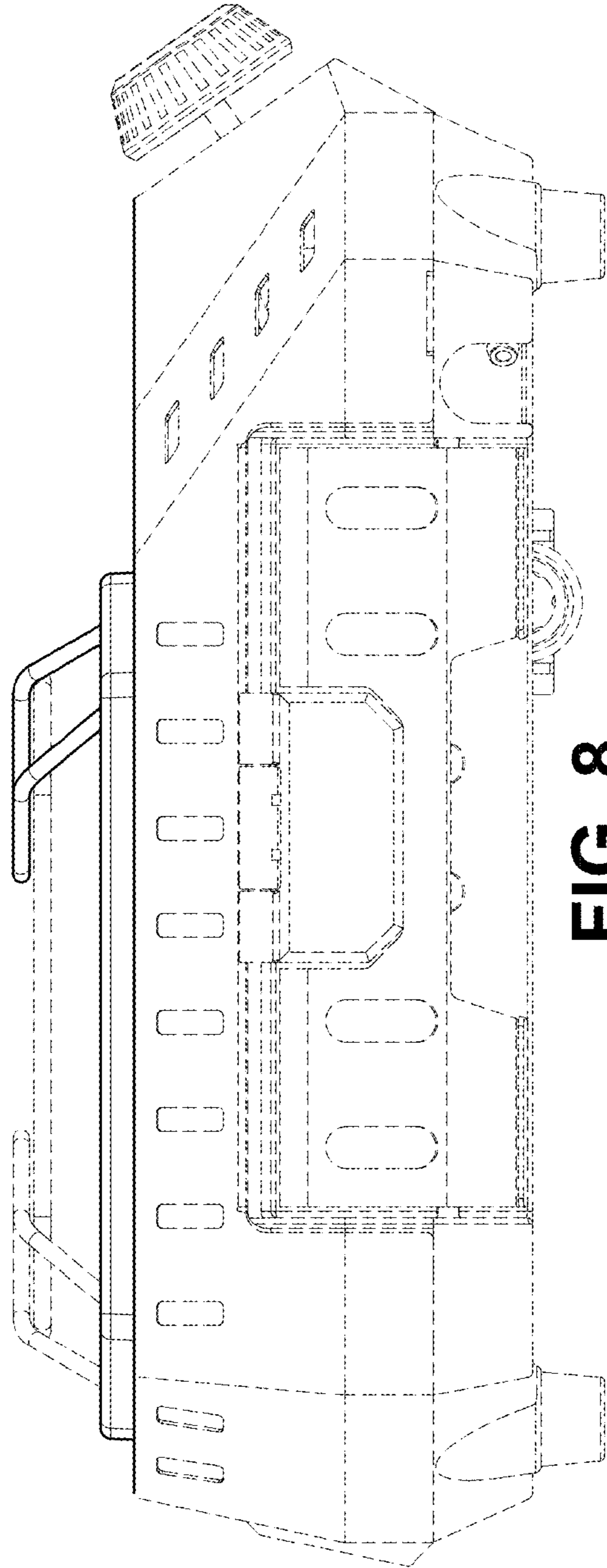


FIG. 8

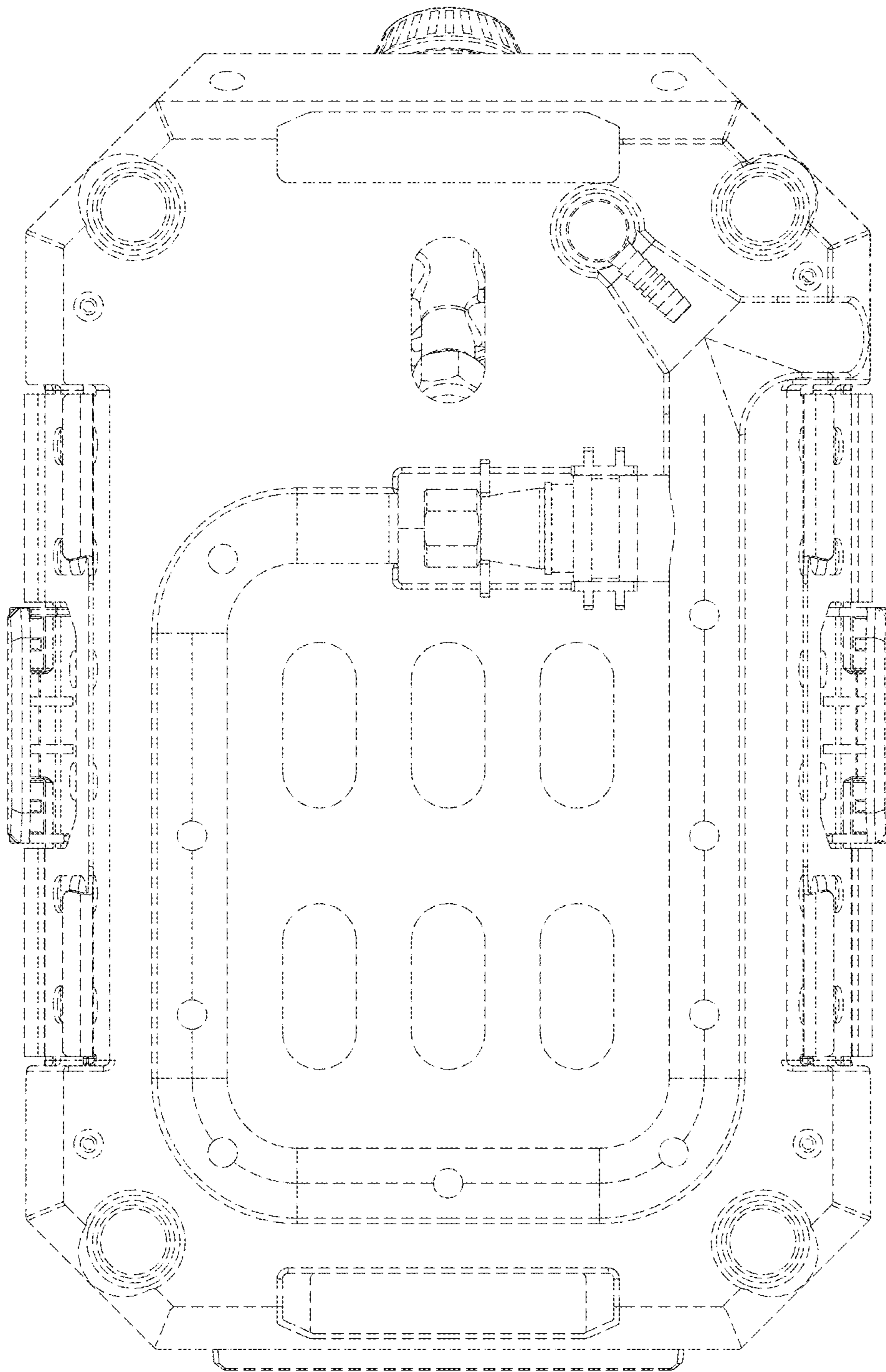


FIG. 9