

US00D964090S

(12) **United States Design Patent** (10) **Patent No.:** **US D964,090 S**  
**Cai** (45) **Date of Patent:** **\*\* Sep. 20, 2022**

(54) **BAKEWARE**  
(71) Applicant: **Xuanjun Cai**, Chaozhou (CN)  
(72) Inventor: **Xuanjun Cai**, Chaozhou (CN)  
(\*\*) Term: **15 Years**  
(21) Appl. No.: **29/765,250**  
(22) Filed: **Jan. 7, 2021**  
(51) **LOC (13) Cl.** ..... **07-02**  
(52) **U.S. Cl.**  
USPC ..... **D7/360; D7/354**  
(58) **Field of Classification Search**  
USPC ..... D7/323, 354-363, 391, 393-396, 409,  
D7/538, 542, 545, 548, 586, 602;  
D9/425, 428  
CPC ..... A47G 19/12; A47J 27/00; A47J 27/002;  
A47J 27/08; A47J 27/21; A47J 27/58;  
A47J 36/025; A47J 36/02; A47J 36/06;  
A47J 36/12; A47J 37/00; A47J 37/0704;  
A47J 37/10; A47J 37/101; A47J 37/103;  
A47J 37/12; A47J 37/1204; A47J 45/061;  
A47J 45/071; A47J 45/08; H05B 6/12  
See application file for complete search history.

D445,633 S \* 7/2001 Bradley ..... D7/545  
D483,218 S \* 12/2003 Fino ..... D7/360  
D575,095 S \* 8/2008 Schreiber-Pethan ..... D7/354  
D631,703 S \* 2/2011 Green-Cotton ..... D7/545  
D633,339 S \* 3/2011 Hart ..... D7/542  
D678,051 S \* 3/2013 Krueger ..... D9/432  
D679,585 S \* 4/2013 Krueger ..... D9/425  
D688,084 S \* 8/2013 Henry ..... D7/354  
D744,776 S \* 12/2015 Seyers ..... D7/354

**OTHER PUBLICATIONS**

KOOV Ceramic Casserole Dish with Lid. Date First Available on Amazon.com Jan. 3, 2020. <https://www.amazon.com/dp/B083GNRX4R/ref> (Year: 2020).\*

\* cited by examiner

*Primary Examiner* — Ricky Pham

(57) **CLAIM**

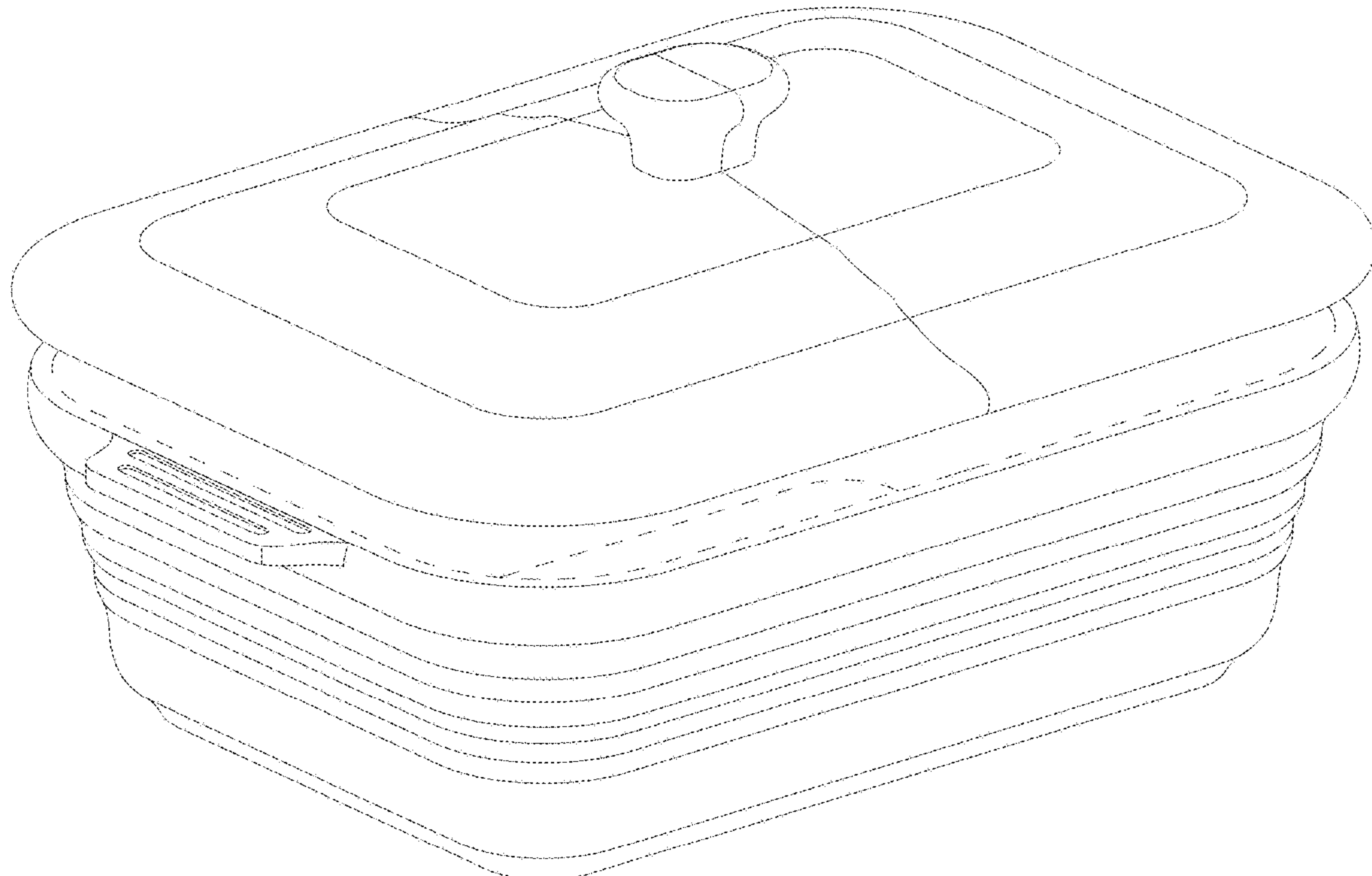
The ornamental design for a bakeware, as shown and described.

**DESCRIPTION**

FIG. 1 is an exploded perspective view of a bakeware showing the claimed design;  
FIG. 3 is an exploded front elevational view thereof;  
FIG. 4 is an exploded right side elevational view thereof;  
FIG. 5 is an exploded rear elevational view thereof;  
FIG. 6 is an exploded left side elevational view thereof; and,  
FIG. 7 is a bottom plan view thereof.  
The broken lines illustrate portions of the bakeware that form no part of the claimed design.

**1 Claim, 7 Drawing Sheets**

(56) **References Cited**  
U.S. PATENT DOCUMENTS  
D212,821 S \* 11/1968 Benes ..... D7/545  
D287,559 S \* 1/1987 Daenen ..... D7/586  
D418,017 S \* 12/1999 Henry ..... D7/545  
D442,425 S \* 5/2001 Wyche ..... D7/545



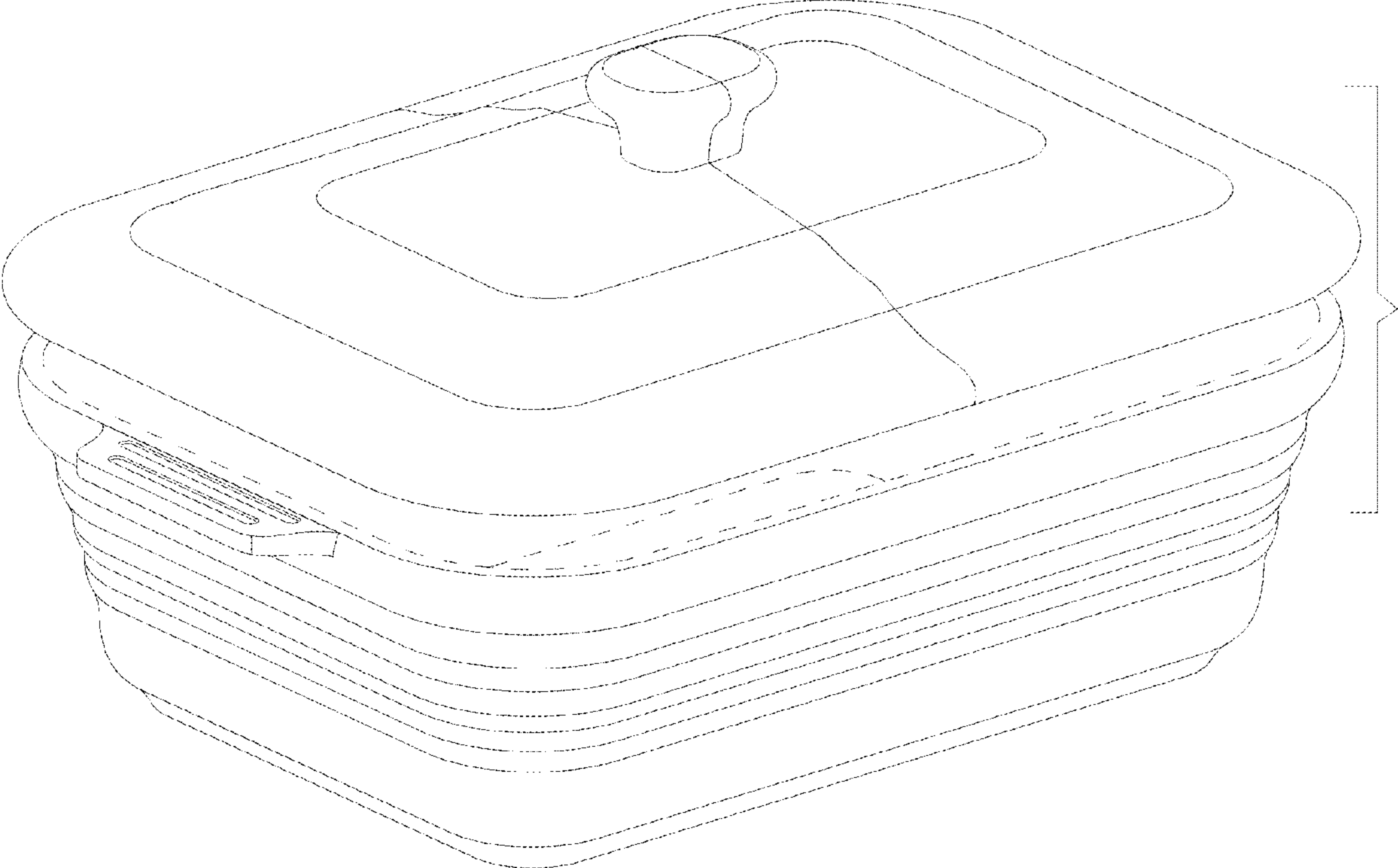


FIG 1

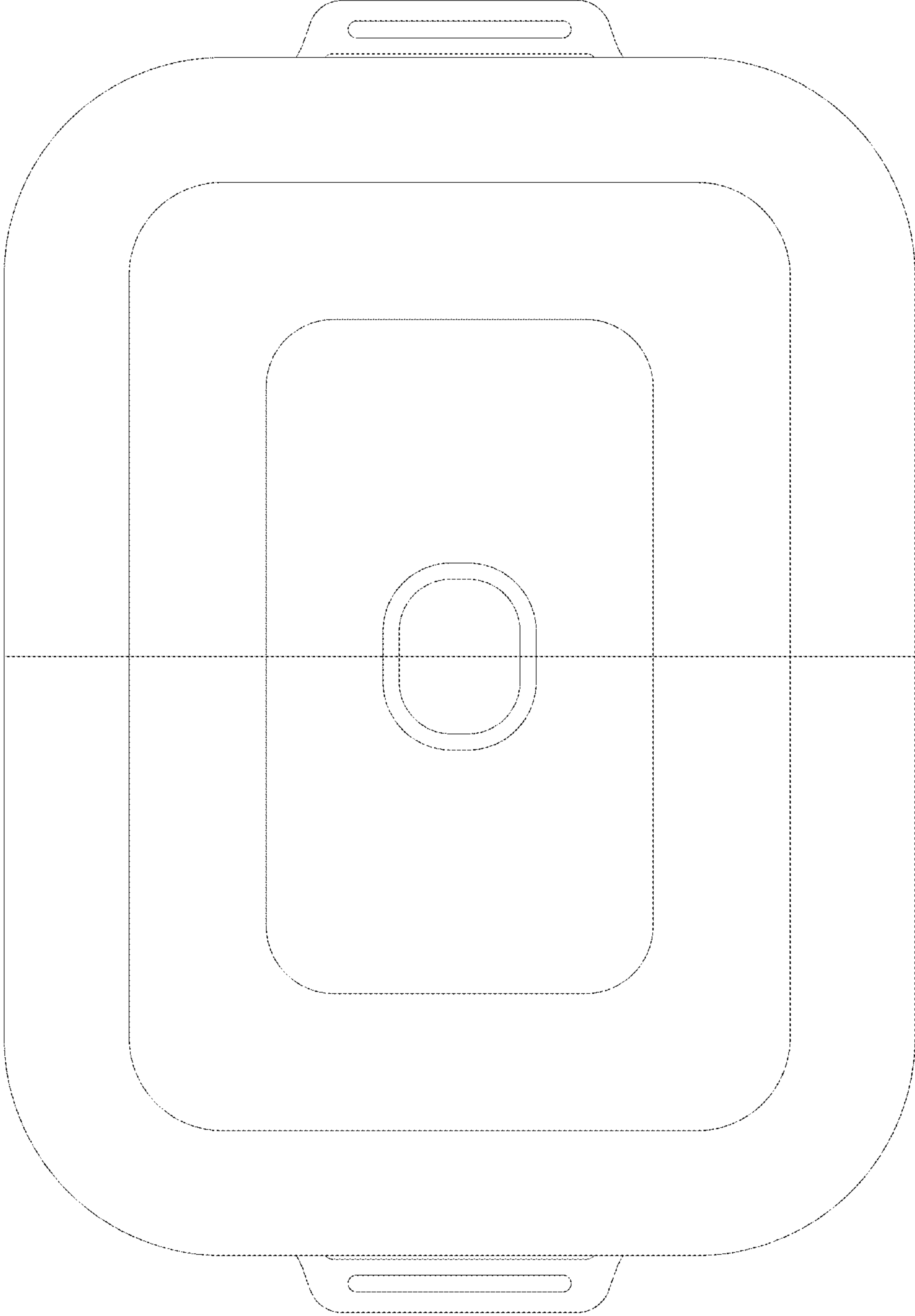


FIG. 2

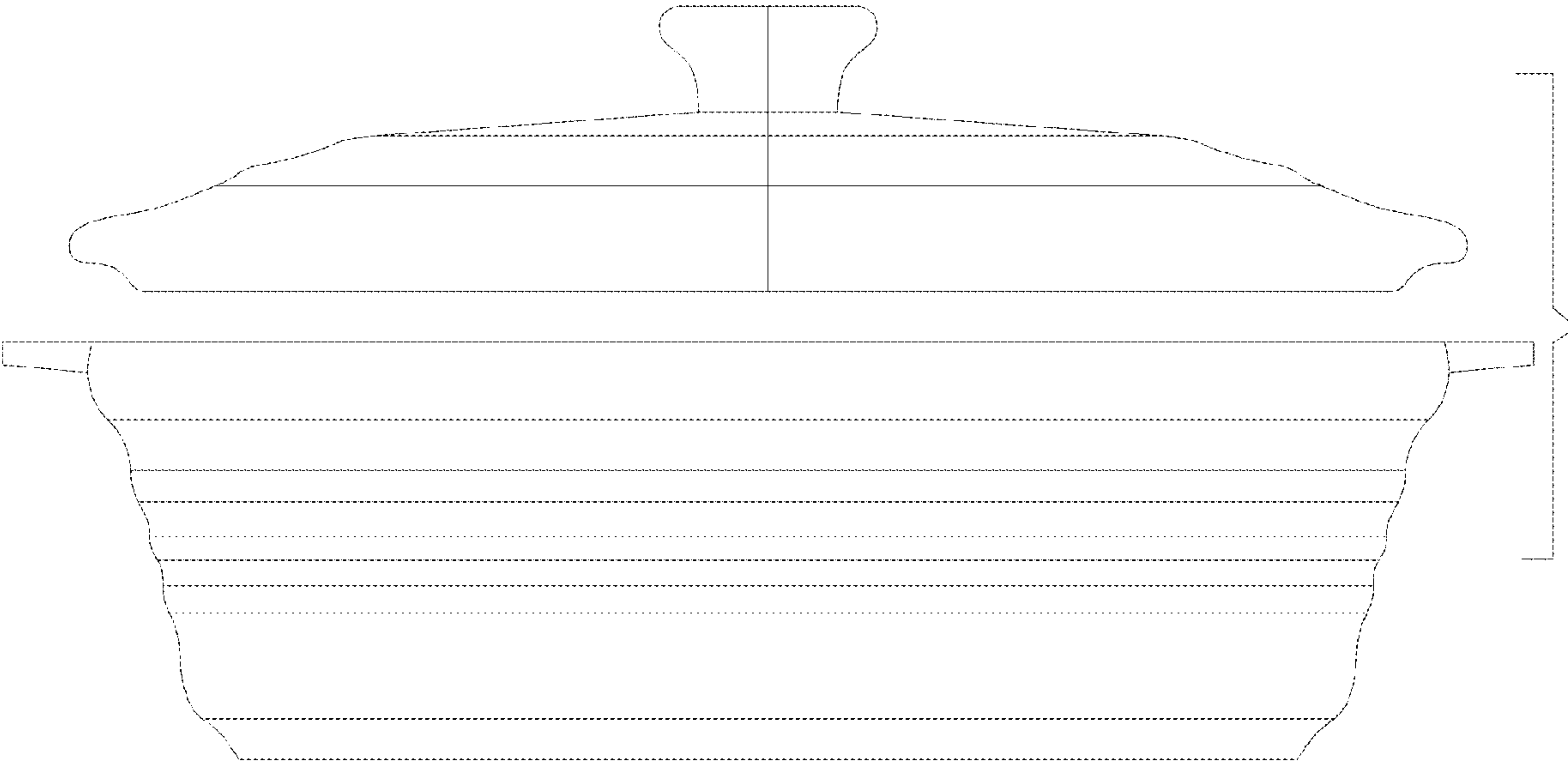


FIG. 3

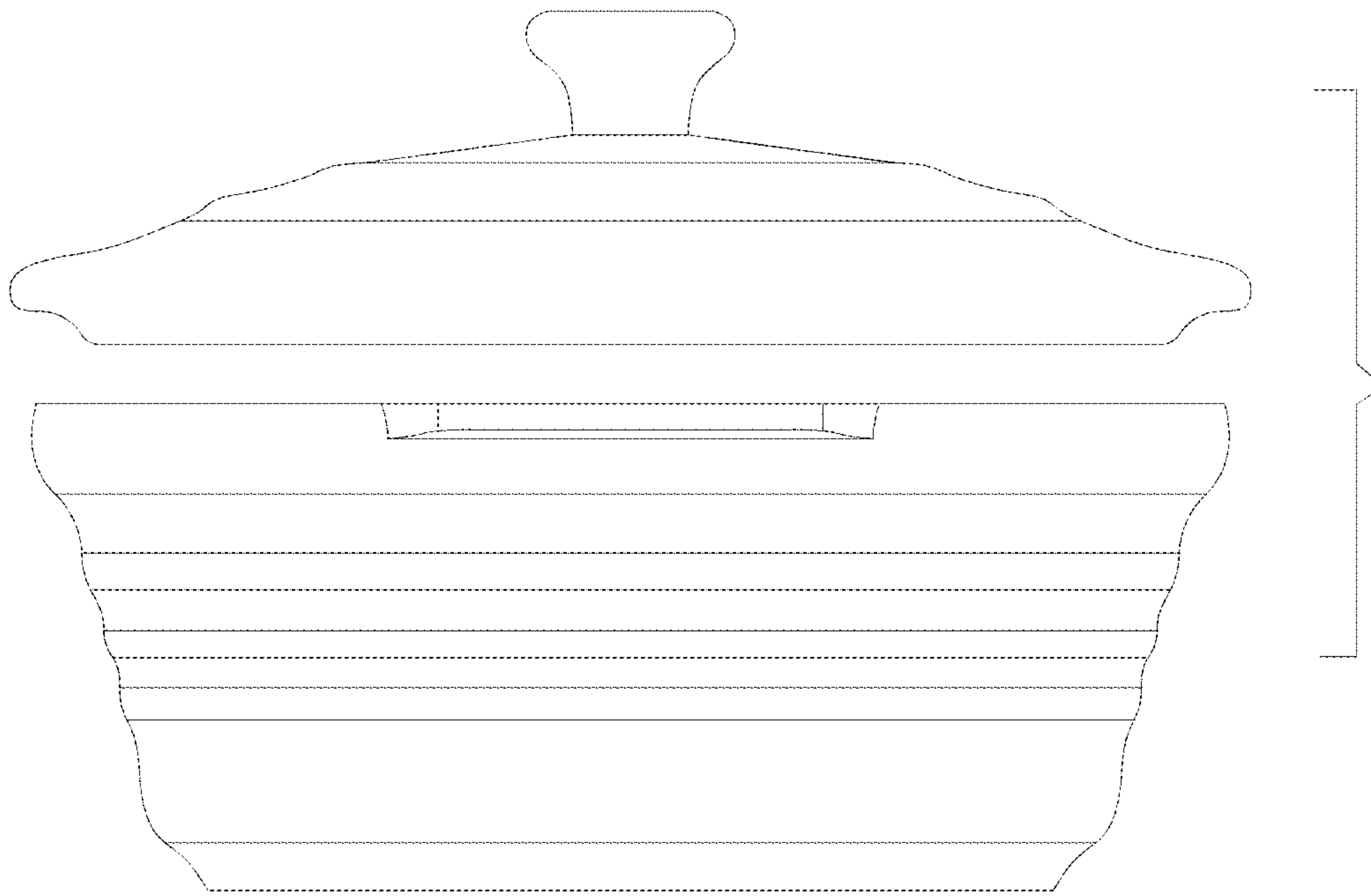


FIG. 4

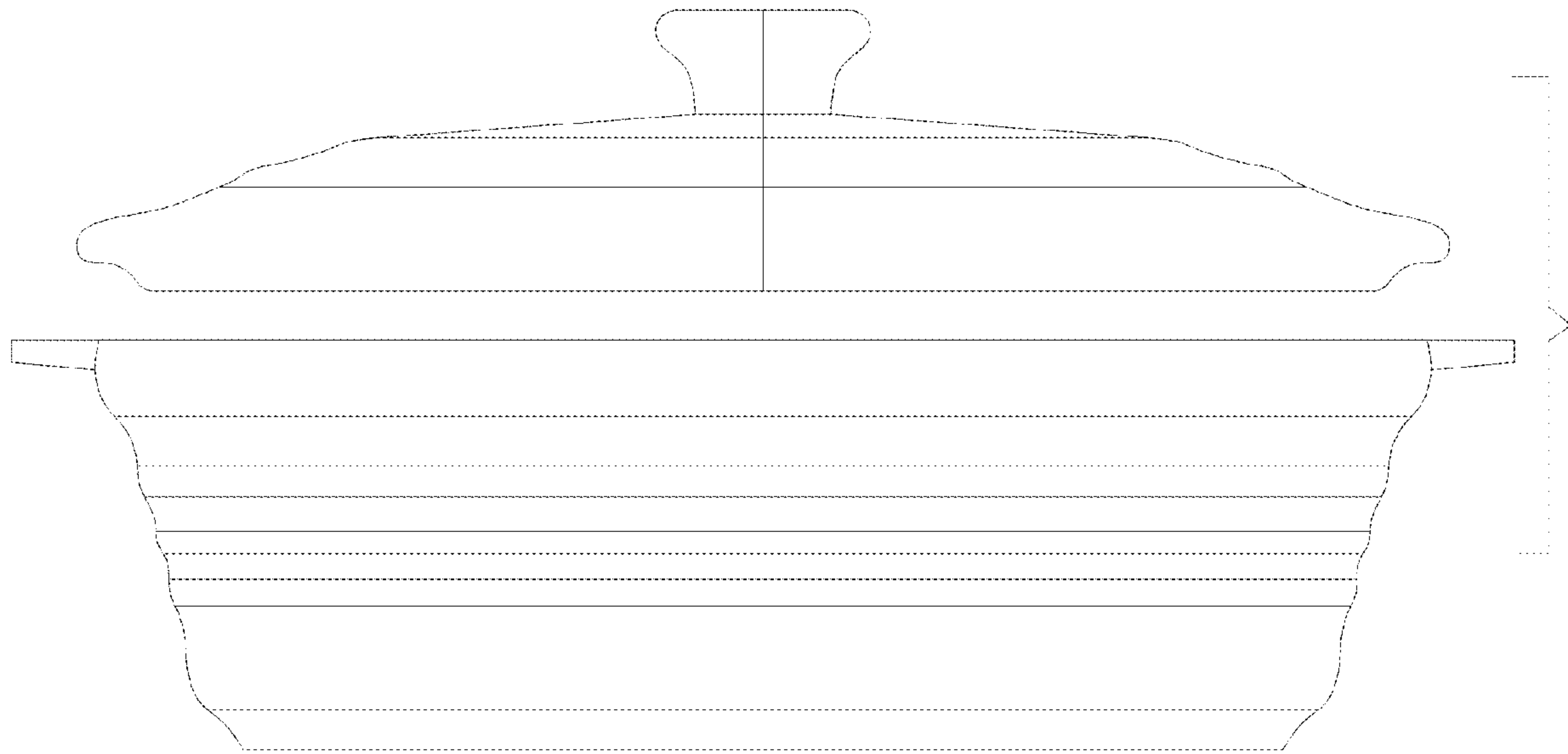


FIG. 5

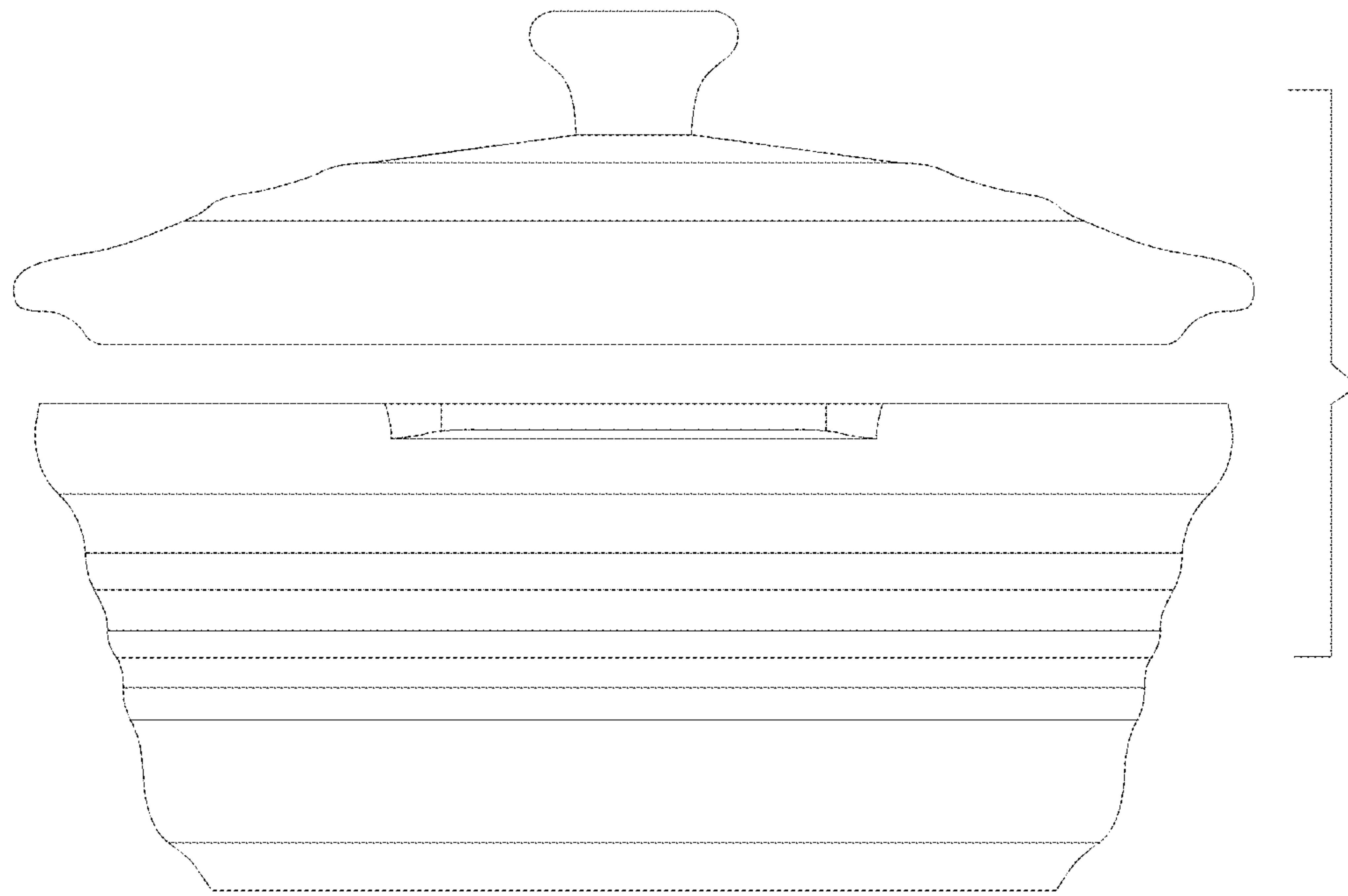


FIG. 6



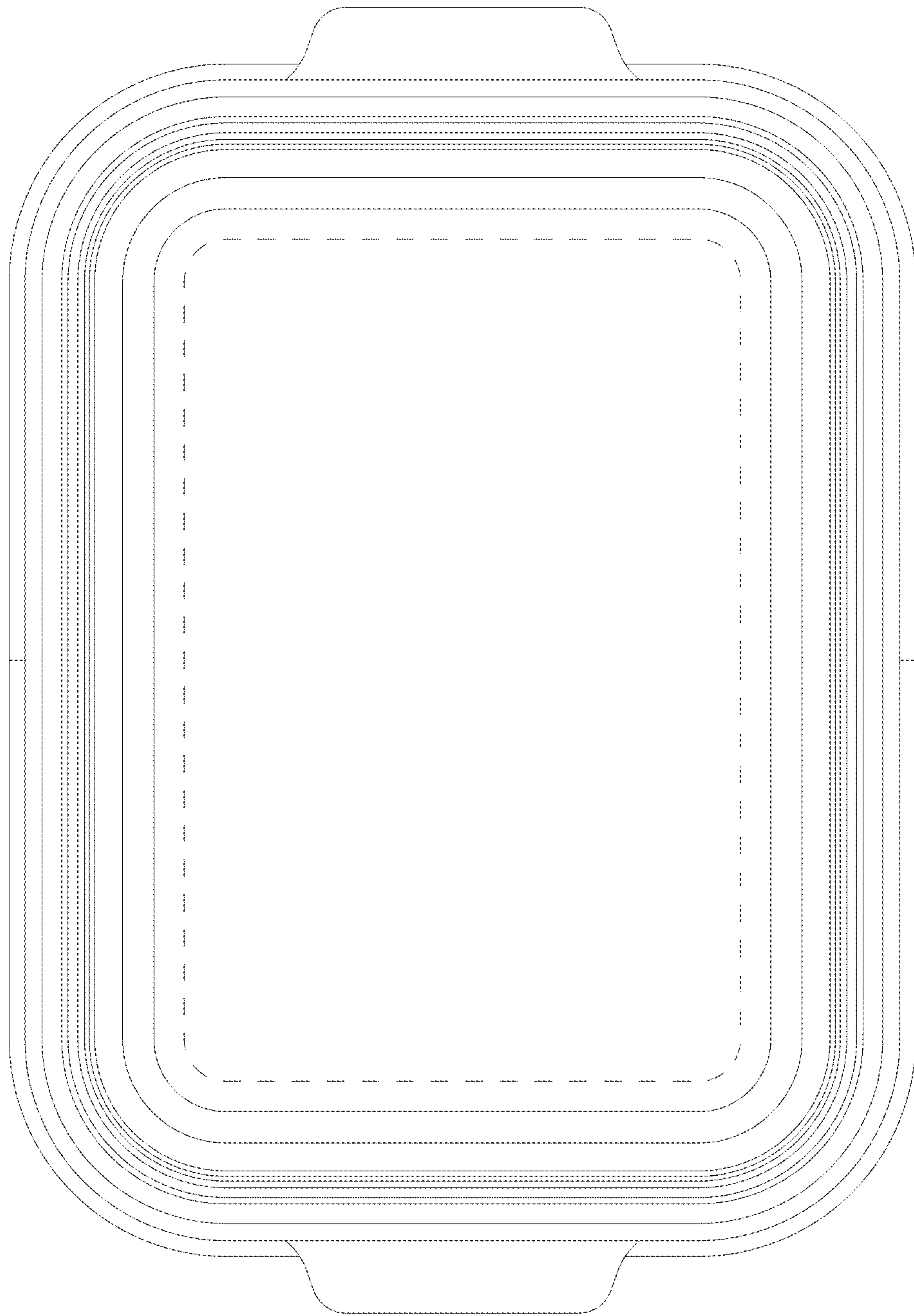


FIG. 7