

US00D964089S

(12) **United States Design Patent** (10) **Patent No.:** **US D964,089 S**  
**Zhou** (45) **Date of Patent:** **\*\* Sep. 20, 2022**

(54) **PORTION OF A PRESSURE COOKER**

(56) **References Cited**

(71) Applicant: **MIDEA GROUP CO., LTD.**,  
Guangdong (CN)  
(72) Inventor: **Runsheng Zhou**, Guangdong (CN)  
(73) Assignee: **MIDEA GROUP CO., LTD.**, Foshan  
(CN)

U.S. PATENT DOCUMENTS

D330,825 S *	11/1992	Sekita .....	D7/354
D337,479 S *	7/1993	Doi .....	D7/354
D368,620 S *	4/1996	Piret .....	D7/354
D432,349 S *	10/2000	Jo .....	D7/358
D448,965 S *	10/2001	Jang-Won .....	D7/358
D486,351 S *	2/2004	Lu .....	D7/354
D607,267 S *	1/2010	Molayem .....	D7/358
D653,902 S *	2/2012	Chen .....	D7/354
D704,500 S *	5/2014	Kim .....	D7/354
D763,036 S *	8/2016	Smart .....	D7/354
D787,881 S *	5/2017	Barquin .....	D7/354
D798,650 S *	10/2017	Joseph .....	D7/354
D804,890 S *	12/2017	Benoit .....	D7/354
D827,360 S *	9/2018	Chung .....	D7/354
D828,078 S *	9/2018	Mattei .....	D7/361

(\*\*) Term: **15 Years**

(21) Appl. No.: **35/510,944**

(22) Filed: **Oct. 29, 2020**

(80) **Hague Agreement Data**

Int. Filing Date: **Oct. 29, 2020**  
Int. Reg. No.: **DM/211520**  
Int. Reg. Date: **Oct. 29, 2020**  
Int. Reg. Pub. Date: **Dec. 11, 2020**

(Continued)

*Primary Examiner* — Richard E Chilcot  
(74) *Attorney, Agent, or Firm* — Morgan, Lewis &  
Bockius LLP

(30) **Foreign Application Priority Data**

Jul. 16, 2020 (CN) ..... 202030388488.6

(51) **LOC (13) Cl.** ..... **07-02**

(52) **U.S. Cl.**  
USPC ..... **D7/354**; D7/358  
CPC ..... **A47J 27/00** (2013.01)

(58) **Field of Classification Search**  
USPC ..... D7/323, 332, 354-361, 391, 393  
CPC ..... A47J 27/00; A47J 27/004; A47J 27/08;  
A47J 27/0802; A47J 27/0804; A47J  
27/0811; A47J 27/0813; A47J 27/0815;  
A47J 27/0817; A47J 27/084; A47J 27/09;  
A47J 27/092; A47J 36/025; A47J 36/06;  
A47J 37/12; A47J 37/1204; A47J  
37/1209; A47J 45/07; A47J 45/071; A47J  
45/074; A47J 45/08; B01D 2201/345;  
B01J 3/03; B01J 3/04; F01P 2011/0247;  
F01P 2011/0252; H05B 6/00; H05B 6/02;  
H05B 6/06

See application file for complete search history.

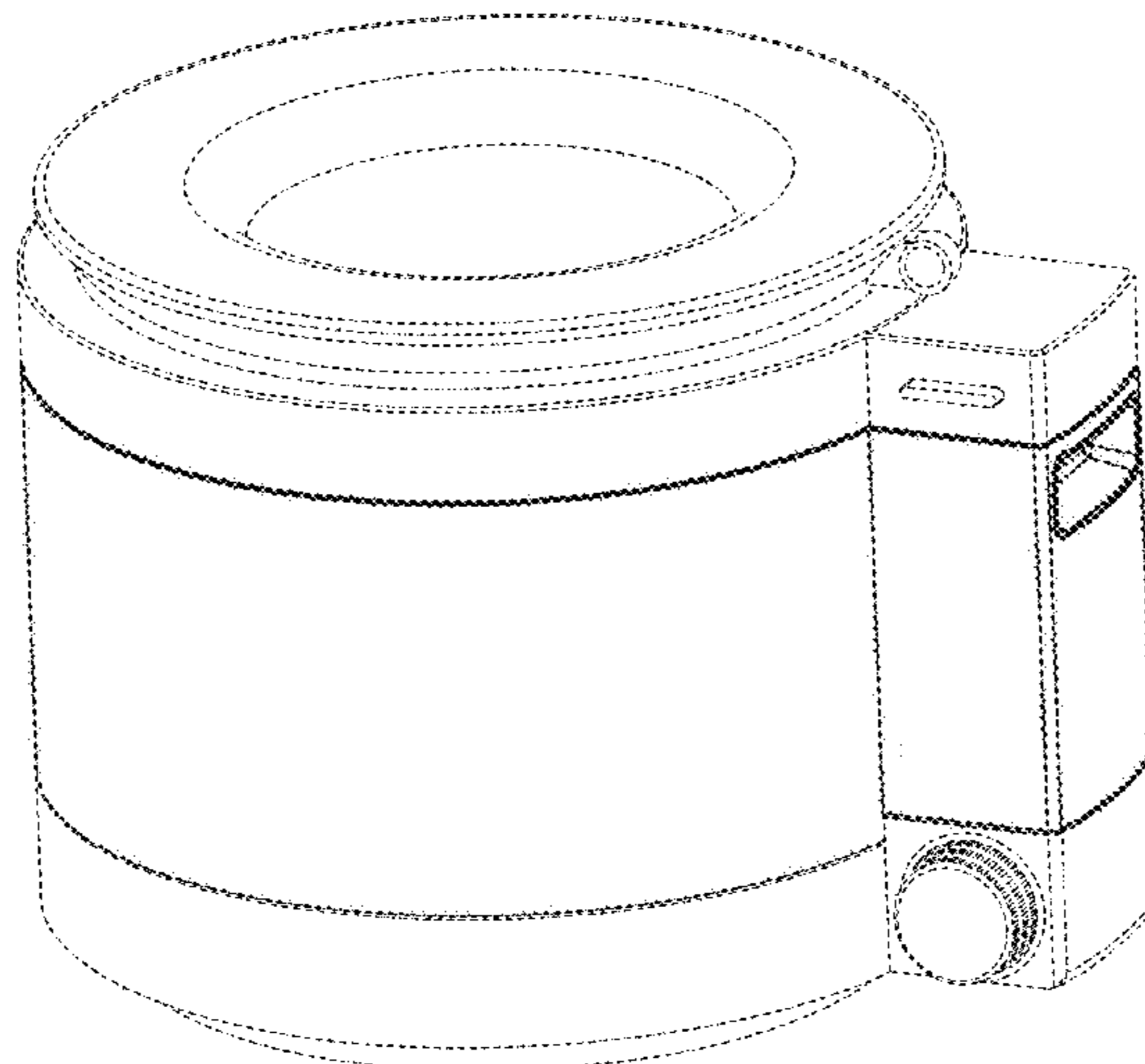
(57) **CLAIM**

The ornamental design for a portion of a pressure cooker, as shown and described.

**DESCRIPTION**

1. Portion of a pressure cooker  
**1.1** : Front  
**1.2** : Back  
**1.3** : Left  
**1.4** : Right  
**1.5** : Top  
**1.6** : Bottom  
**1.7** : Perspective  
**1.8** : Reference view of state of use  
Reproduction **1.8** illustrates the portion of the pressure cooker during use. The broken lines illustrating the unclaimed base and top portion of the pressure cooker in Reproduction **1.8** depict environmental subject matter that forms no part of the claimed design.

**1 Claim, 8 Drawing Sheets**



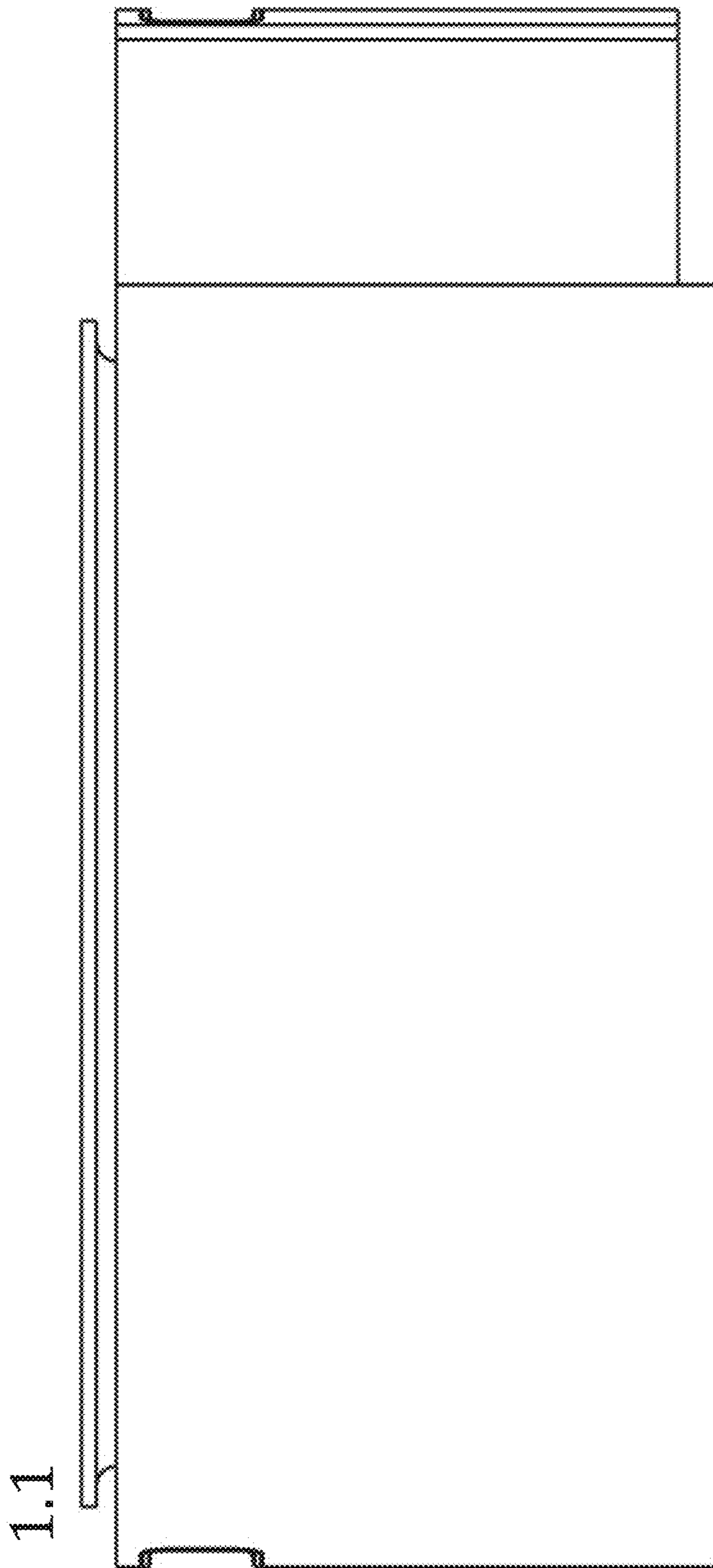
(56)

**References Cited**

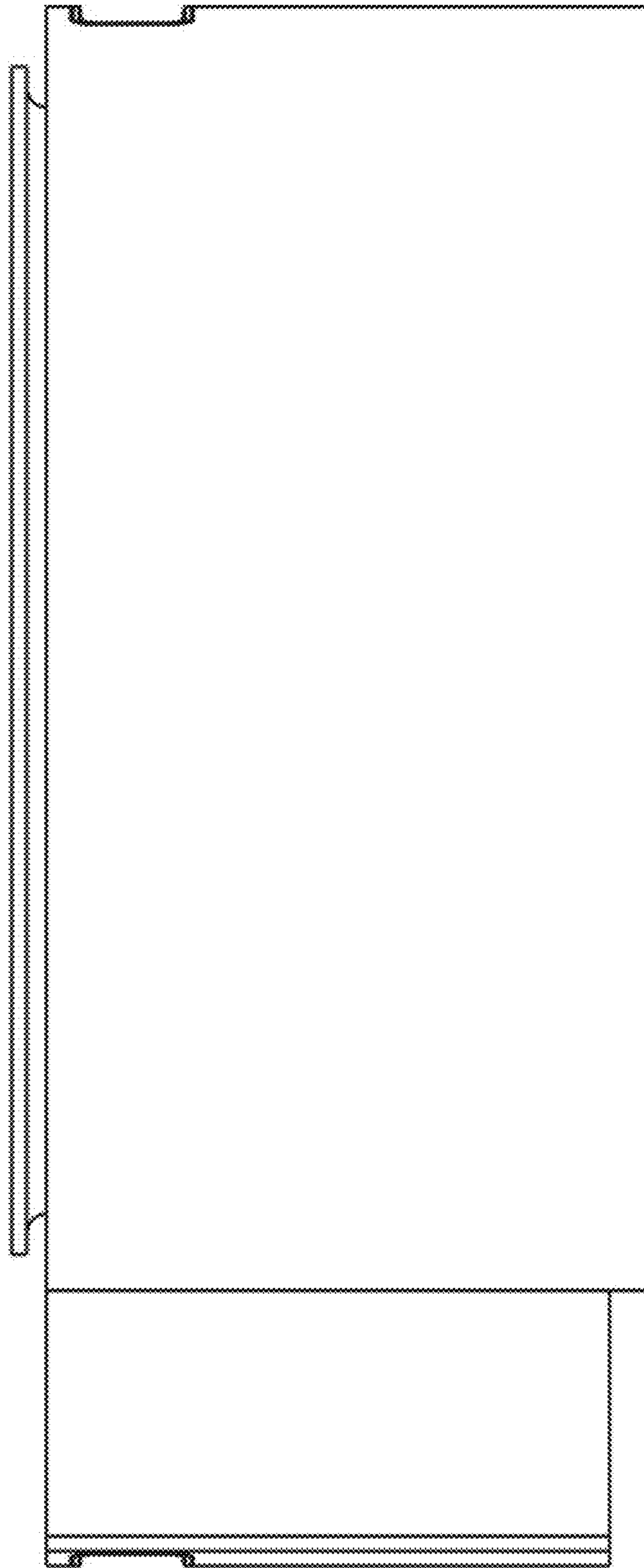
U.S. PATENT DOCUMENTS

D832,638	S	*	11/2018	Hiltenbrand	.....	D7/358
D854,875	S	*	7/2019	Tan	.....	D7/354
D887,197	S	*	6/2020	Li	.....	D7/354
D887,198	S	*	6/2020	Zhao	.....	D7/354
D900,529	S	*	11/2020	You	.....	D7/358
D907,426	S	*	1/2021	Hua	.....	D7/354
D907,427	S	*	1/2021	Ye	.....	D7/354
D915,125	S	*	4/2021	Moon	.....	D7/354
D915,126	S	*	4/2021	Moon	.....	D7/354
D920,732	S	*	6/2021	Deng	.....	D7/354
D920,733	S	*	6/2021	Cozzolino	.....	D7/358
D935,834	S	*	11/2021	You	.....	D7/358
D938,217	S	*	12/2021	Luo	.....	D7/354
2019/0254462	A1	*	8/2019	Lei	.....	A47J 27/56
2020/0000263	A1	*	1/2020	Peng	.....	A47J 27/0802
2021/0315408	A1	*	10/2021	Mei	.....	A47J 27/0804

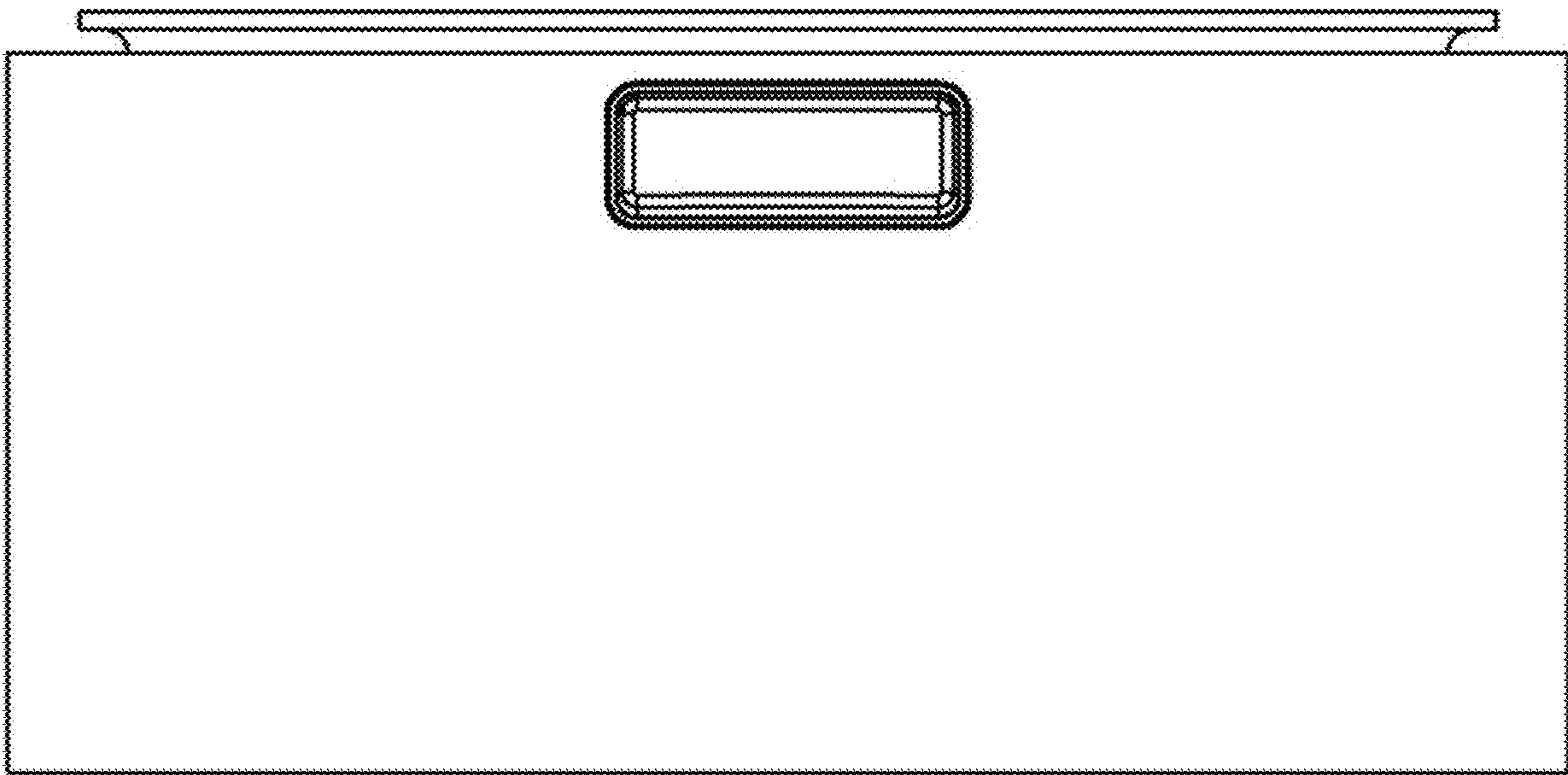
\* cited by examiner



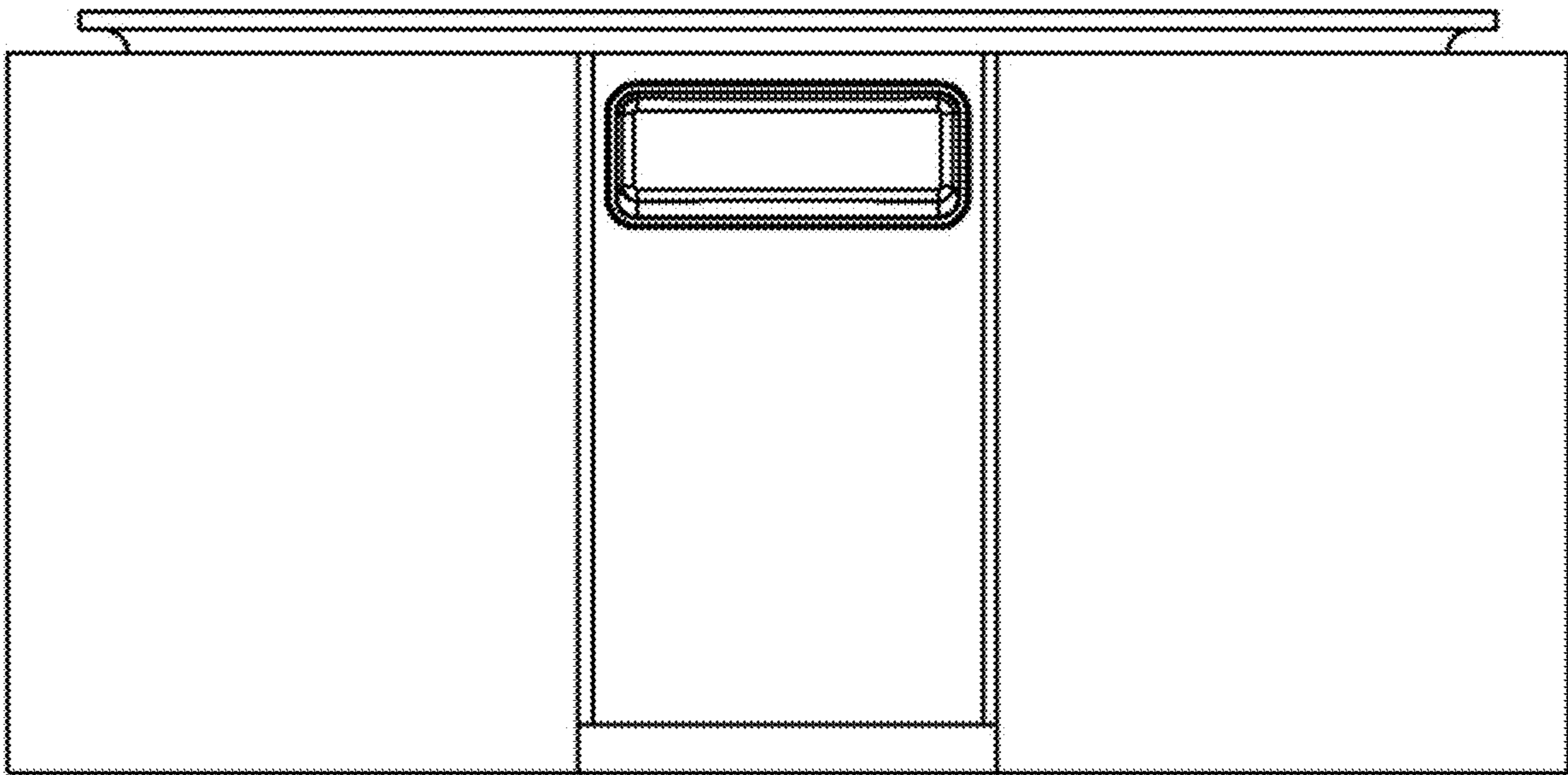
1.2



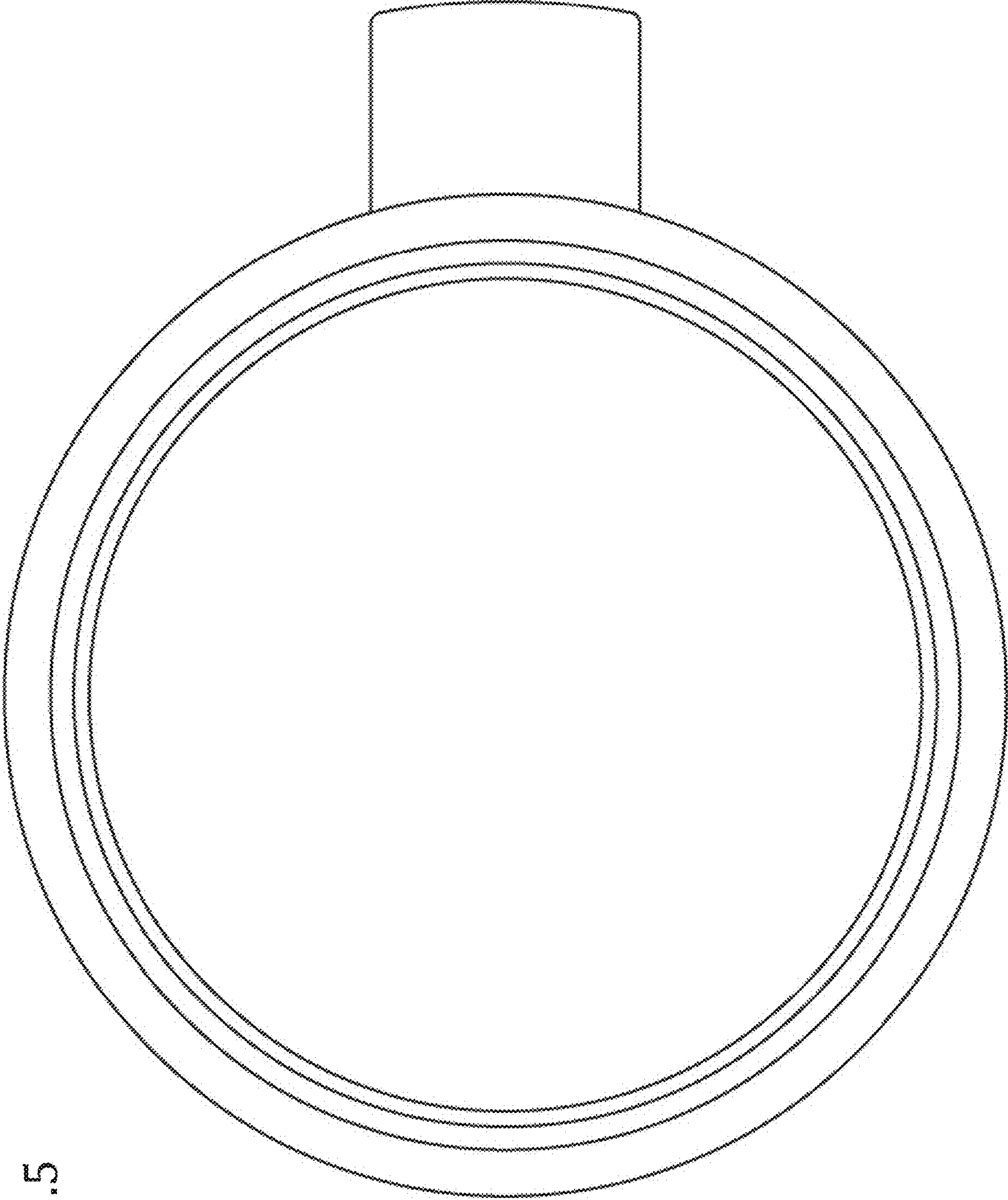
1.3



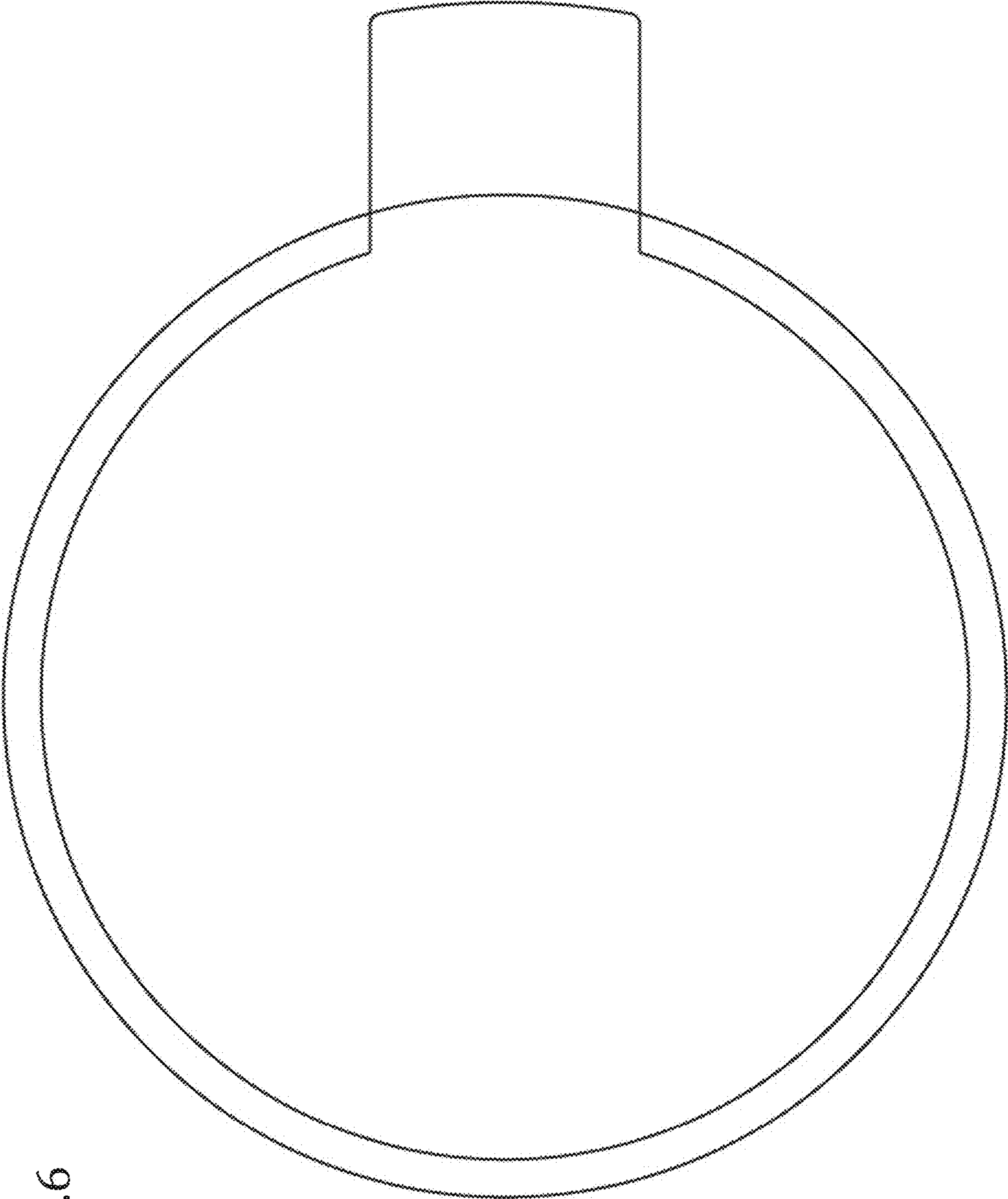
1.4





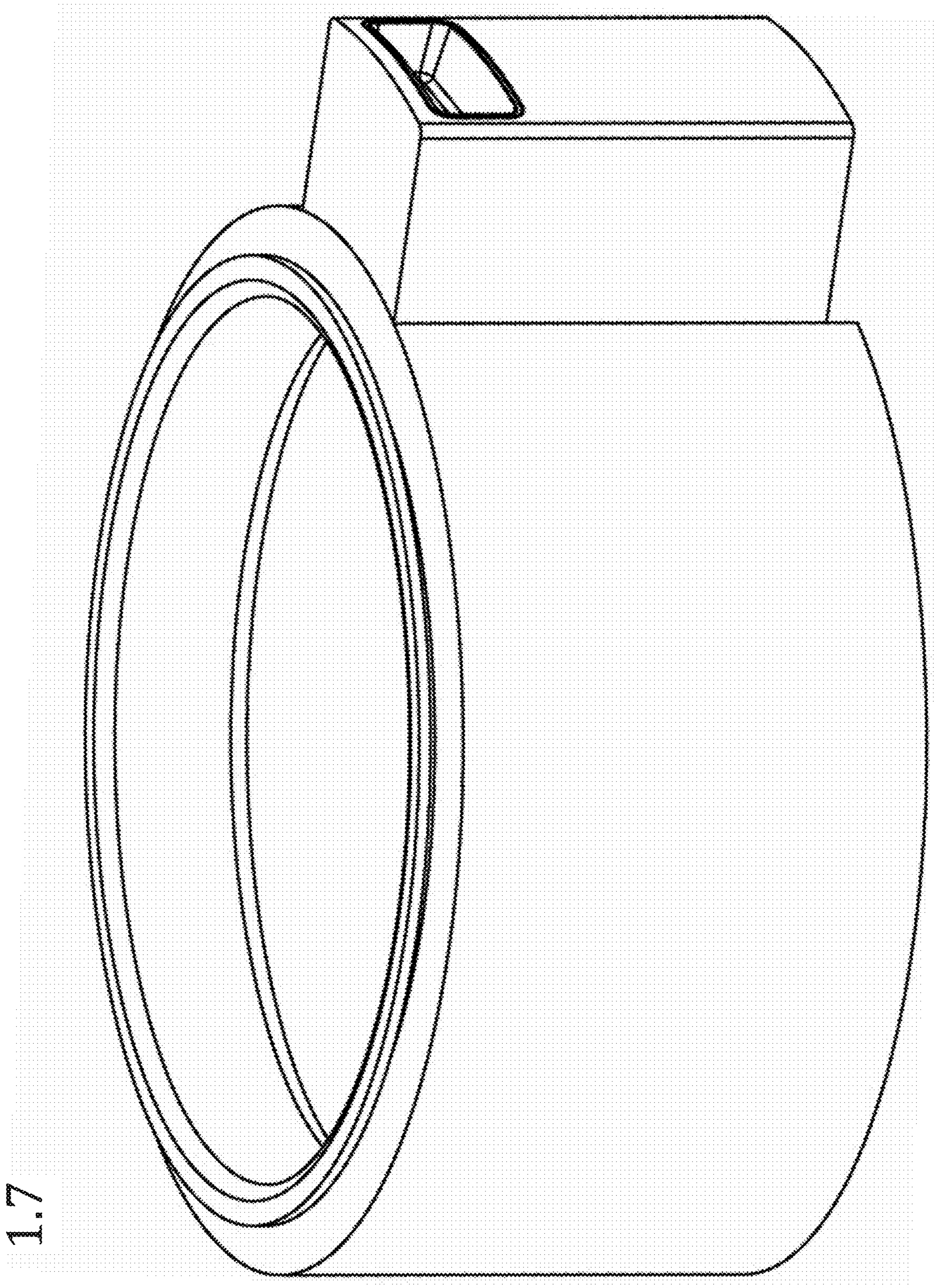


1.5



1.6





1.8

